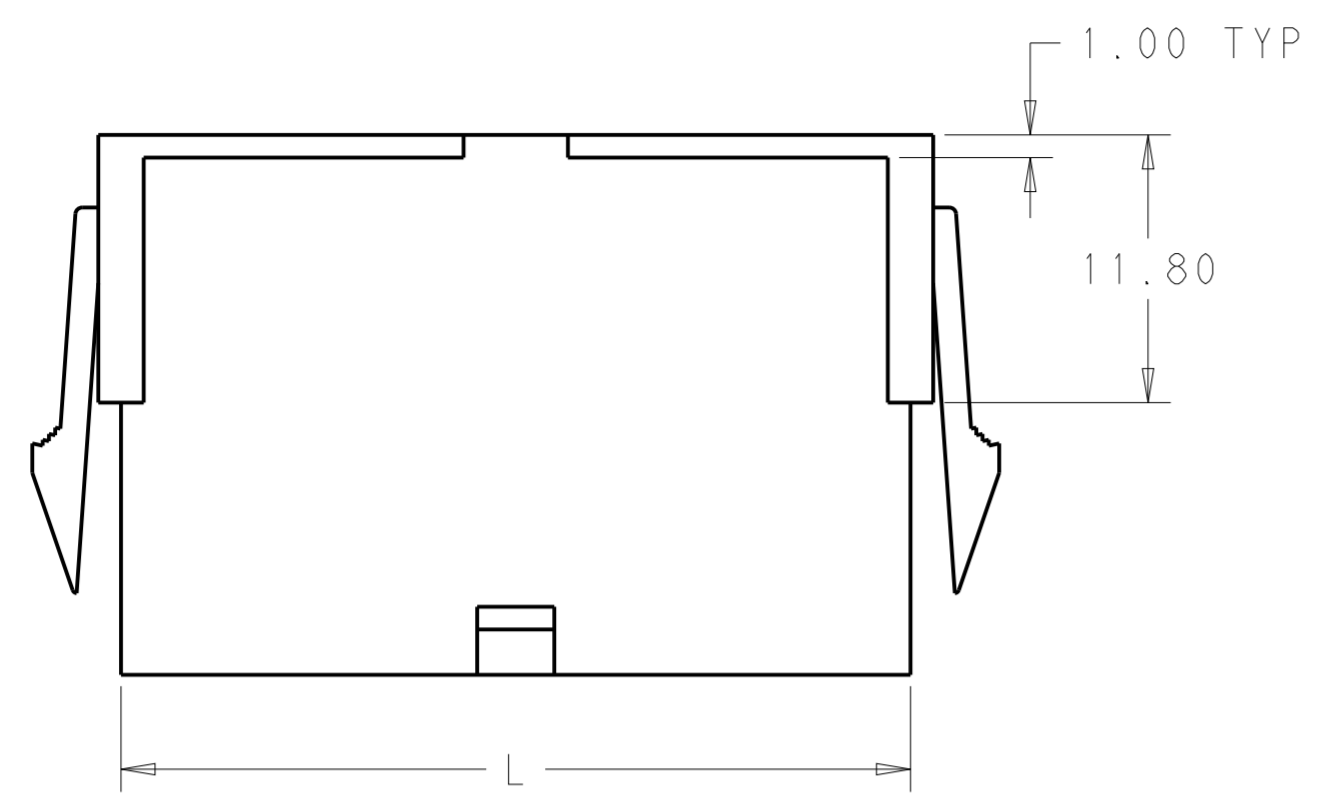
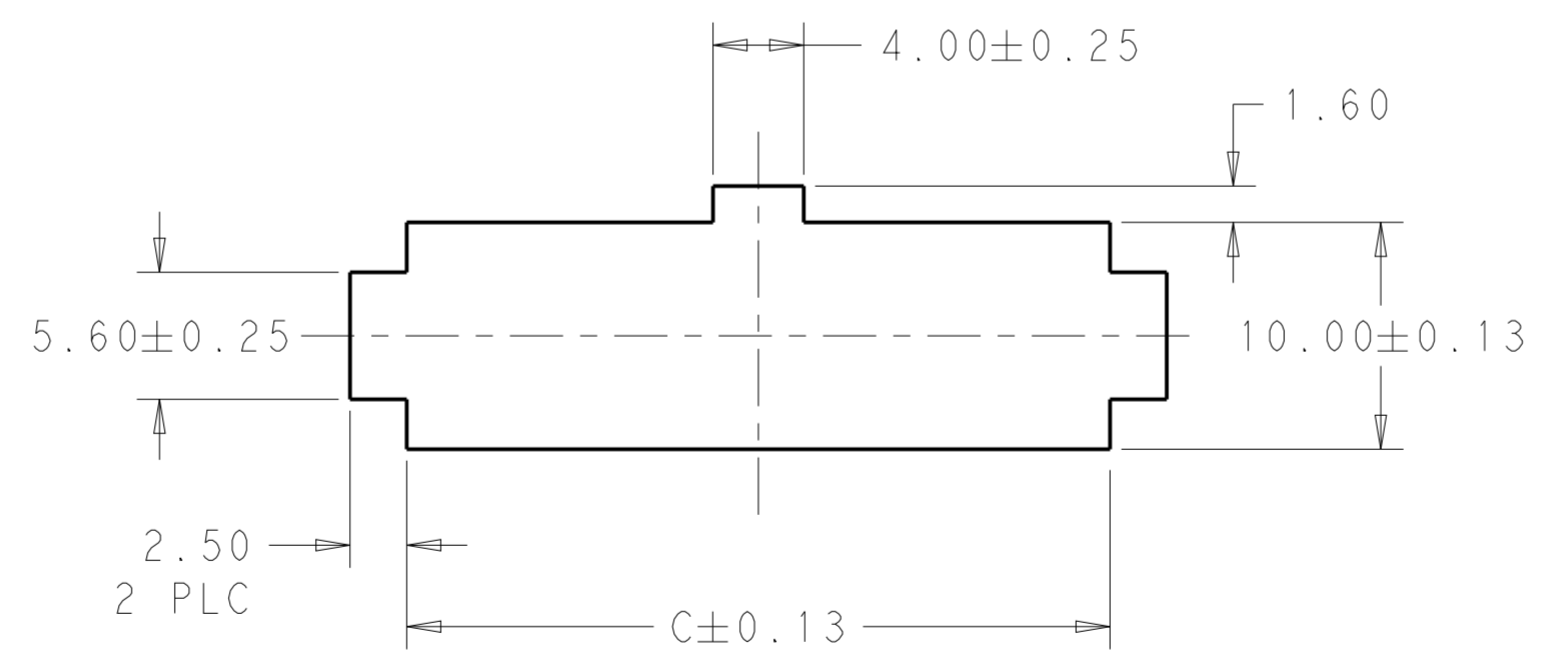
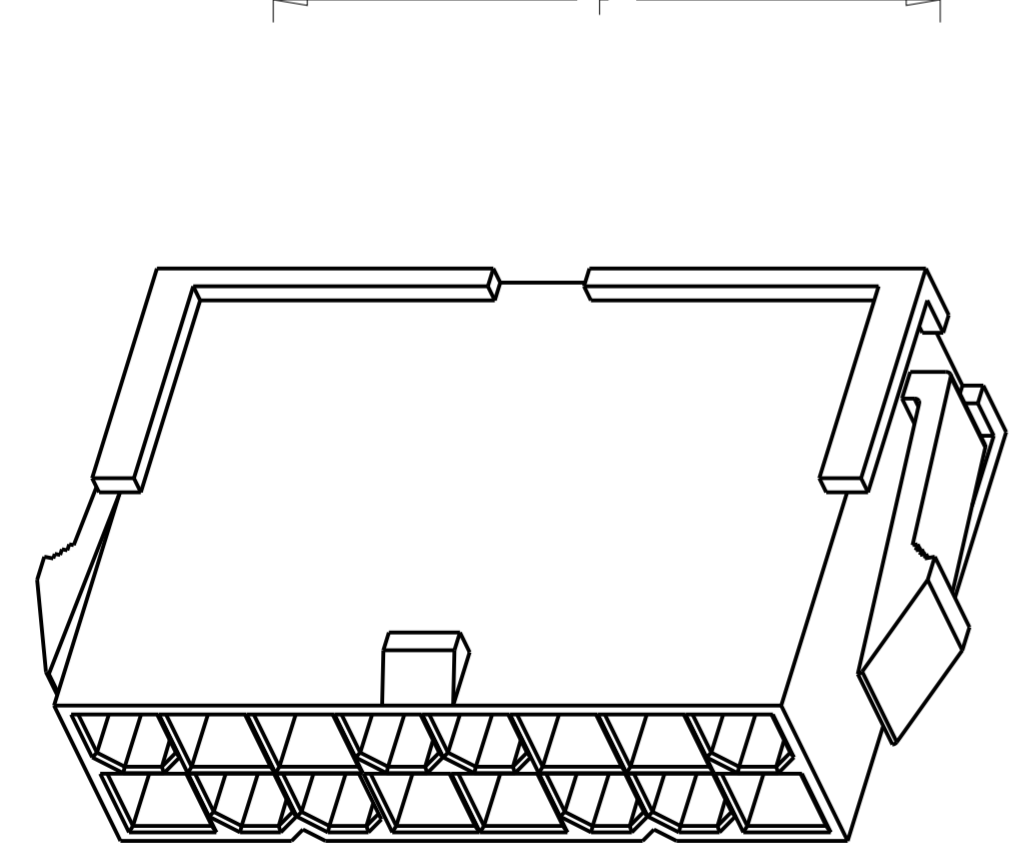
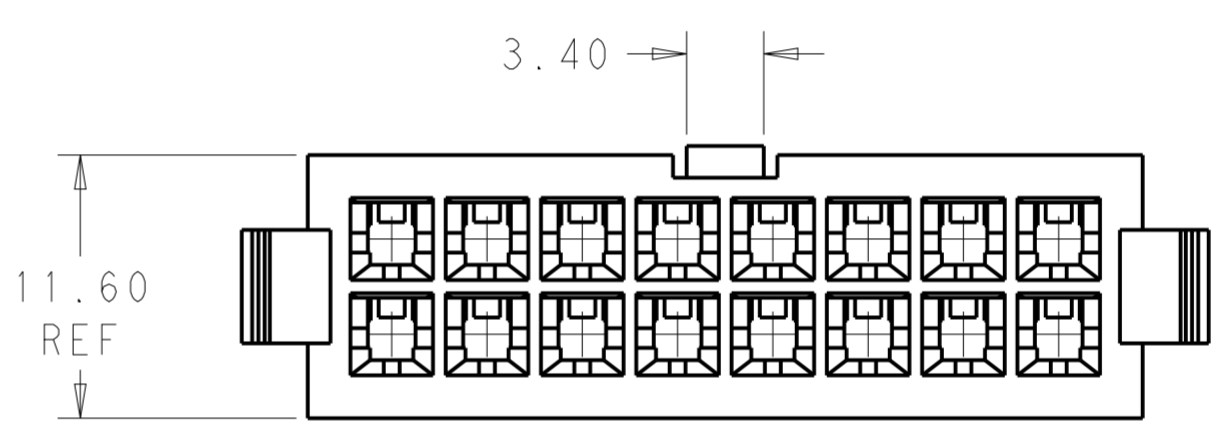
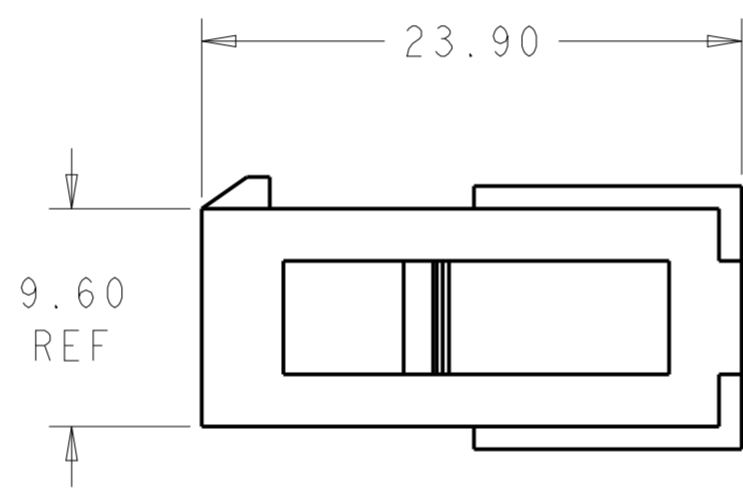
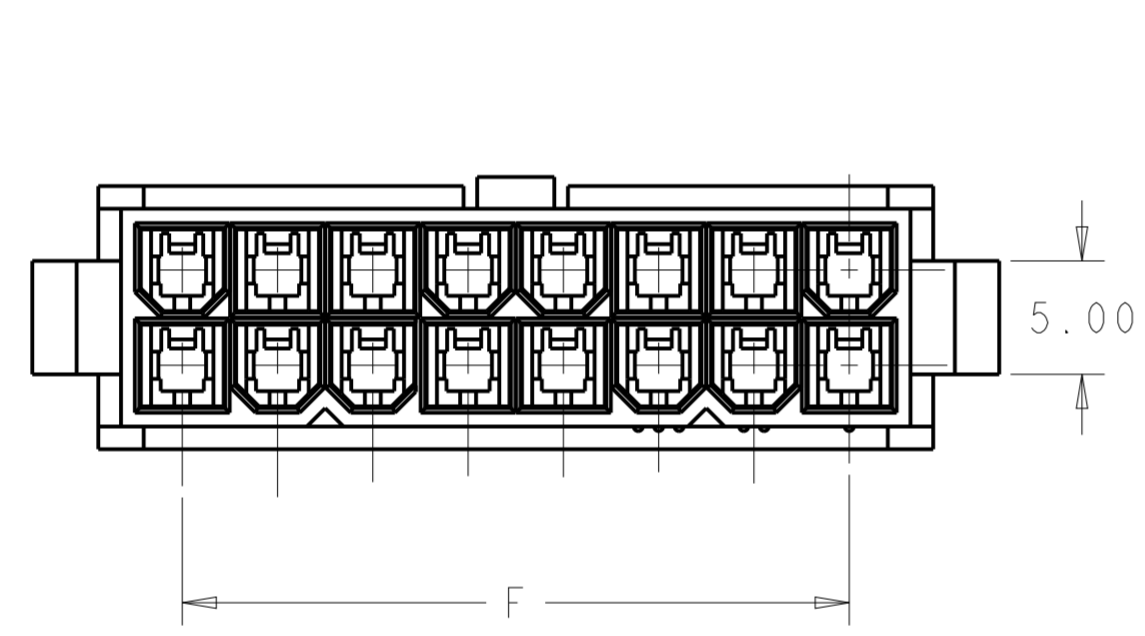


THIS DRAWING IS UNPUBLISHED. RELEASED FOR PUBLICATION 20
 © COPYRIGHT 20 BY - ALL RIGHTS RESERVED.

LOC		DIST		REVISIONS			
P	LTR	DESCRIPTION	DATE	DWN	APVD		
AF	-	A1	REVISED PER ECR-14-004708	28MAR14	JR	KR	



- 1 POLYAMIDE, UL94V-2, COLOR- WHITE
- 2 FLAMMABILITY V2 FOR THICKNESS 0.38mm, 1.5mm NAD 3.0mm PER IEC 60695-11-10.
- 3 GLOW-WIRE FLAMMABILITY (GWFI) 800°C FOR THICKNESS 0.38mm AND 0.75mm PER IEC 60695-2-12.
- 4 GLOW-WIRE FLAMMABILITY (GWFI) 960°C FOR THICKNESS 1.5mm AND 3.0mm PER IEC 60695-2-12.
- 5 GLOW-WIRE IGNITION (GWIT) 825°C FOR THICKNESS 0.38mm, 0.75mm, 1.5mm AND 3.0mm PER IEC 60695-2-13.
- 6 COMPLY WITH GLOW WIRE REQUIREMENTS FOR PARTS OF NON-METALLIC MATERIAL SUPPORTING A CURRENT-CARRYING CONNECTION DETAILED IN IEC 60335-1, SECTION 30(GWT).



52.00	46.2	51.60	24	2-1969605-4
47.80	42.0	47.40	22	2-1969605-2
43.60	37.8	43.20	20	2-1969605-0
39.40	33.6	39.00	18	1-1969605-8
35.20	29.4	34.80	16	1-1969605-6
31.00	25.2	30.60	14	1-1969605-4
26.80	21.0	26.40	12	1-1969605-2
22.60	16.8	22.20	10	1-1969605-0
18.40	12.6	18.00	8	1969605-8
14.20	8.4	13.80	6	1969605-6
10.00	4.2	9.60	4	1969605-4
5.80	--	5.40	2	1969605-2
DIM C	DIM F	DIM L	NO. OF POS	PART NO.

RECOMMENDED CUT-OUT FOR 2.00 MAX THICK PANEL

PANEL MUST BE PUNCHED OUT SO THAT THE HOUSING ENTERS THE PANEL IN THE SAME DIRECTION AS THE PUNCH.

THIS DRAWING IS A CONTROLLED DOCUMENT.

DIMENSIONS: mm	TOLERANCES UNLESS OTHERWISE SPECIFIED:	DWN: JR RUTH 26SEPT13	TE Connectivity
	0 PLC ±	CHK: KURT RANDOLPH 26SEPT13	
	1 PLC ±	APVD: KURT RANDOLPH 26SEPT13	
	2 PLC ±0.25	NAME: KURT RANDOLPH	
	3 PLC ±	PRODUCT SPEC: -	PANEL MOUNT PLUG HOUSING VAL-U-LOK, GLOW WIRE
	4 PLC ±	APPLICATION SPEC: -	SIZE: A200779 C-1969605
	ANGLES ±	WEIGHT: -	RESTRICTED TO: -
MATERIAL:	FINISH: ±	Customer Drawing	SCALE: 3:1 SHEET 1 OF 1 REV A1

X-ON Electronics

Largest Supplier of Electrical and Electronic Components

Click to view similar products for [Power to the Board](#) category:

Click to view products by [TE Connectivity](#) manufacturer:

Other Similar products are found below :

[6450171-4](#) [6450552-7](#) [6600323-8](#) [6643429-1](#) [6646040-2](#) [6651939-1](#) [6766604-1](#) [120959-1](#) [1393557-2](#) [1393532-2](#) [1393532-3](#) [1393532-4](#)
[1393557-1](#) [1600812-5](#) [1-6450861-2](#) [1744132-7](#) [1761122-1](#) [1766250-1](#) [1892109-1](#) [2-6450860-5](#) [2-6450870-0](#) [1-6450161-4](#) [1-6450850-6](#) [1-](#)
[6450869-6](#) [1645526-2](#) [1-6600130-0](#) [2005243-2](#) [377-0020-11130](#) [TE34-12-16P-F0](#) [51700-10201602AALF](#) [5-6450830-6](#) [5646956-4](#) [377-](#)
[0080-11131A](#) [4-6450830-9](#) [4-6600333-3](#) [10125416-4050LF](#) [10130248-005LF](#) [6600320-3](#) [3-6450860-5](#) [1888123-2](#) [6450166-1](#) [6643978-1](#)
[6766605-1](#) [701-15-02109](#) [N11444](#) [6651938-1](#) [6450810-7](#) [46437-1112](#) [1-1589677-8](#) [5646956-5](#)