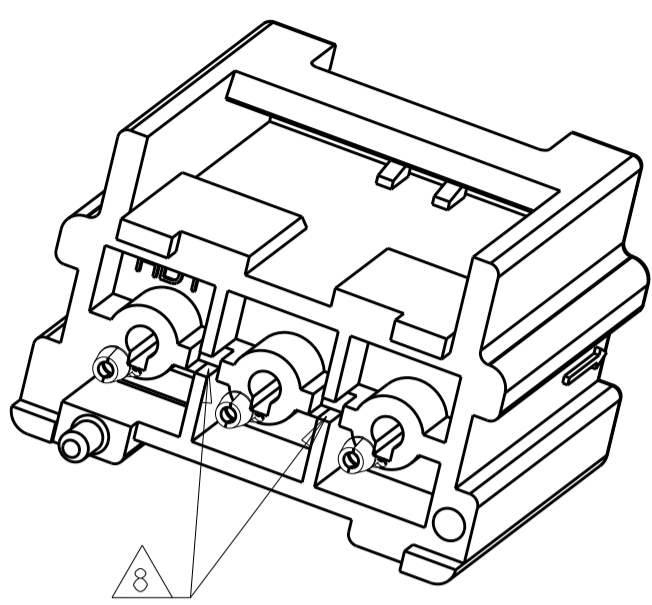
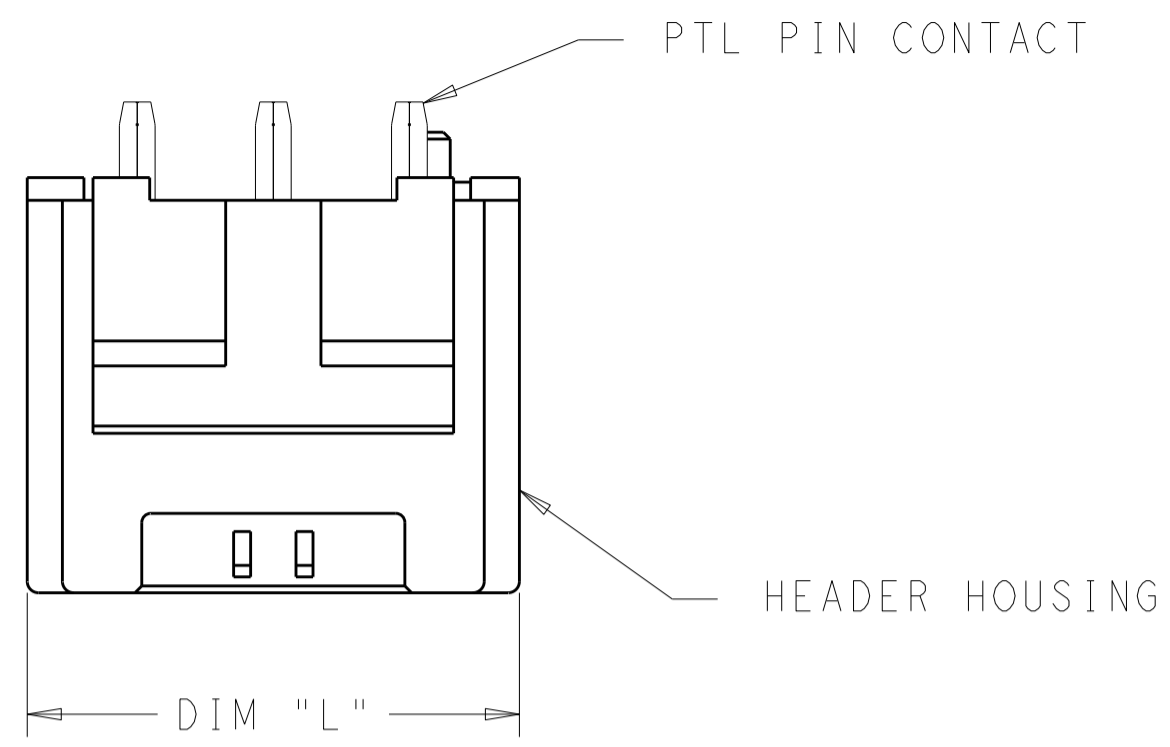
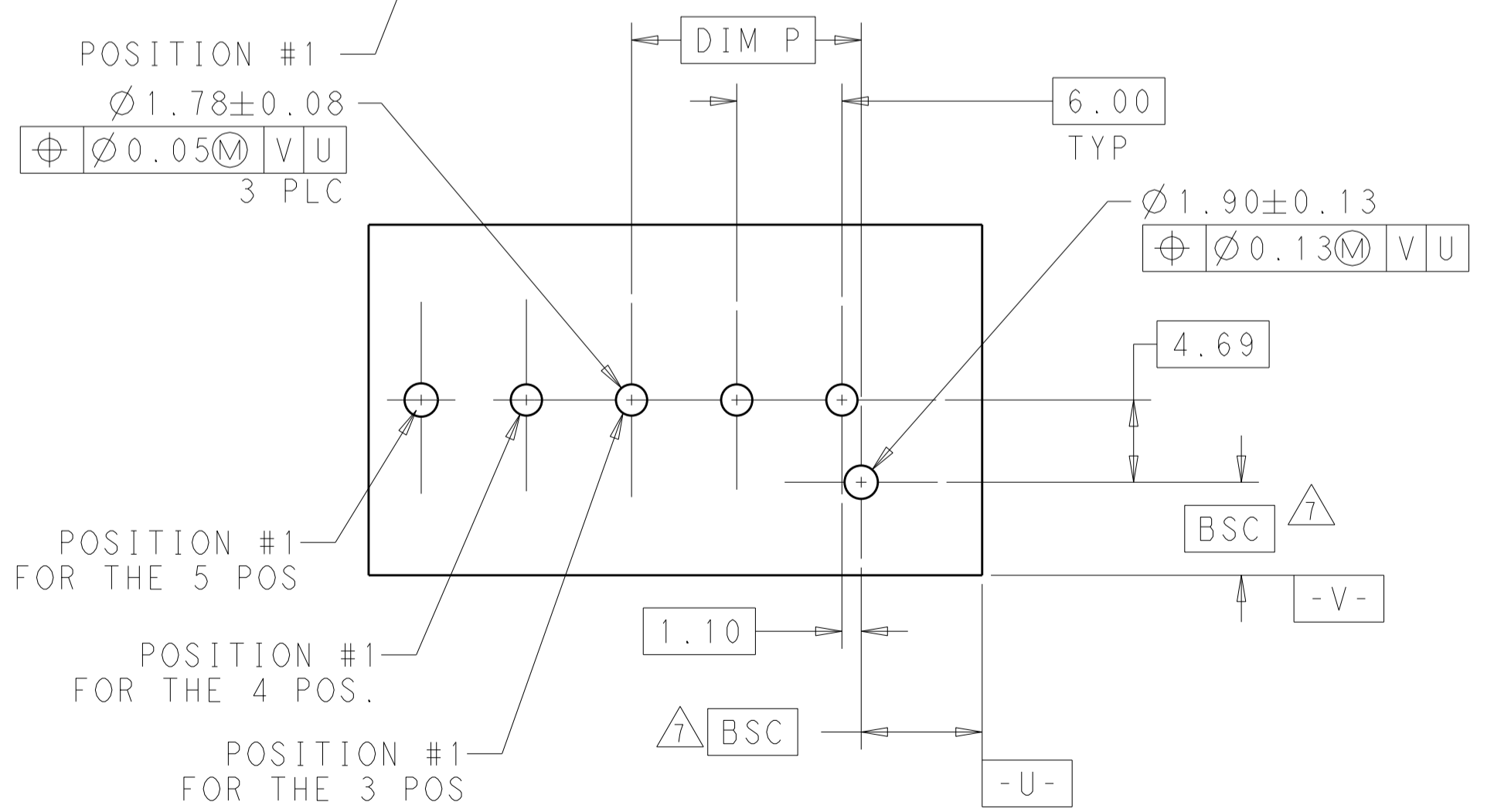
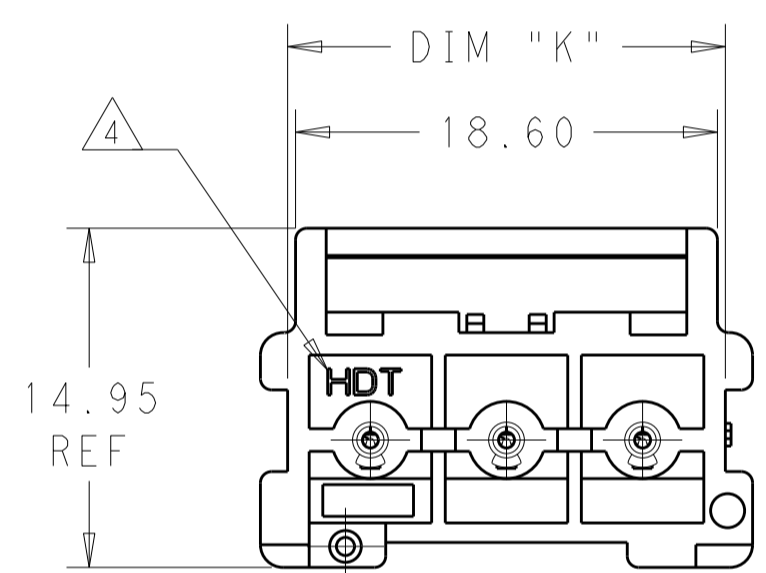
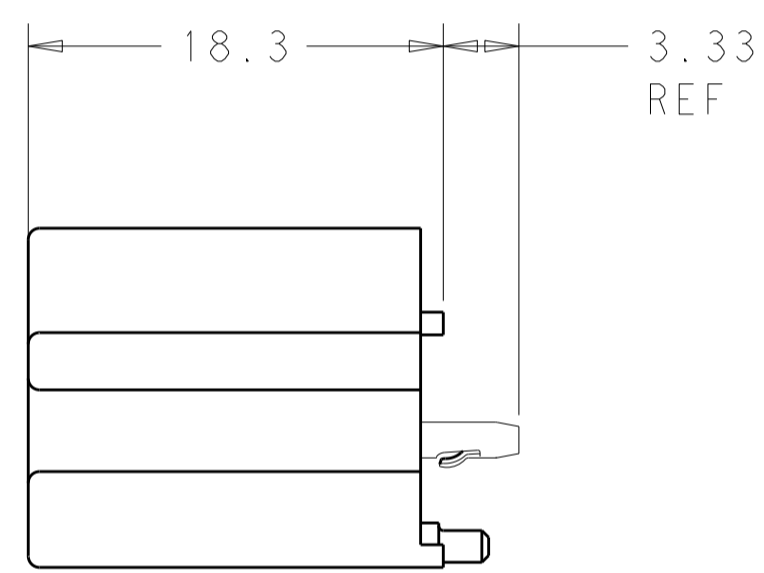
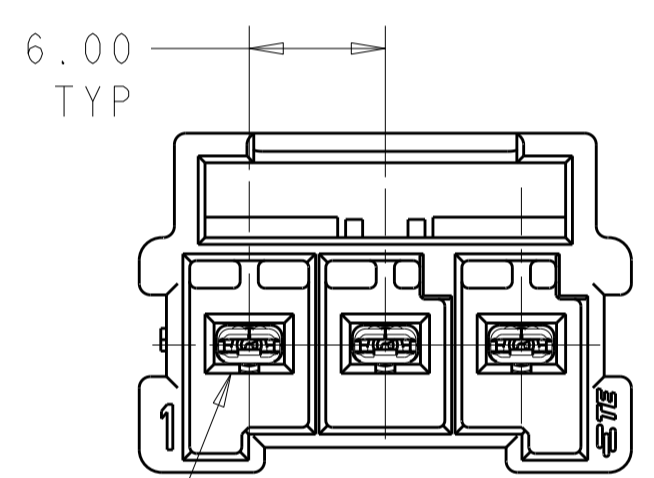


THIS DRAWING IS UNPUBLISHED. RELEASED FOR PUBLICATION
 © COPYRIGHT copyright_d8Te- ALL RIGHTS RESERVED.

REVISIONS					
P	LTR	DESCRIPTION	DATE	DWN	APVD
B2		REVISED PER ECR-18-011580	24JUL2018	BKW	GJ
B3		REVISED PER ECR-19-009496	17JUN2019	BKW	GJ
B4		REVISED PER ECR-19-009923	03JUL2019	BKW	DS
C		REVISED PER ECR-19-014974	30OCT2019	PC	DS



- REFER TO TABLE ON SHEET 3 FOR RECOMMENDED MATING PLUG.
- CAN BE SECURED TO THE PLUG WITH OPTIONAL CPA P/N 1971789-1.
- FLAMMABILITY RATED PER UL 94 V-0.
- LEVEL INDICATOR: PBT = STANDARD TEMP/105°C PBT GLASS FILLED
HDT = HIGH TEMP 150°C NYLON PA66 UNFILLED
- PARTS COMPLY WITH SOLDERABILITY SPEC TEC-109-11-11-1.
- THIS PRODUCT HAS NOT COMPLETED VALIDATION TESTING.
- DATUM AND BASIC DIMENSION ESTABLISHED BY CUSTOMER.
- FEATURE MAY NOT BE PRESENT ON HIGH TEMP VERSIONS
- GLOW WIRE COMPLIANT IN ACCORDANCE WITH IEC 60335-1. THIS IS BASED ON THE PRODUCT MEETING A GWEPT 850°C TEST AND RESIN GWIT GREATER THAN OR EQUAL TO 775°C .



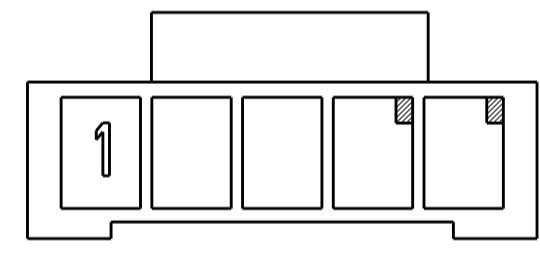
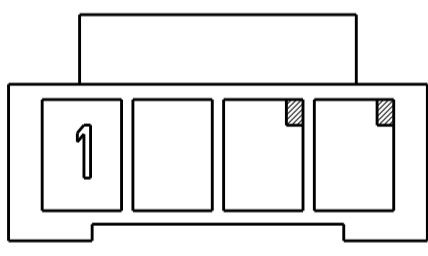
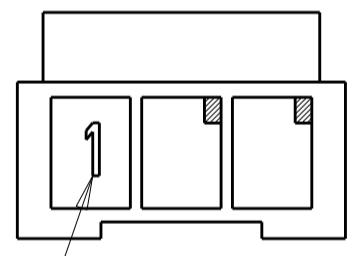
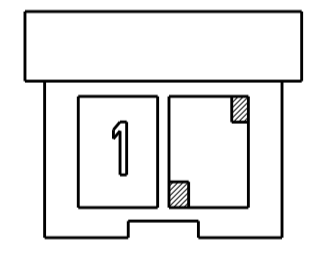
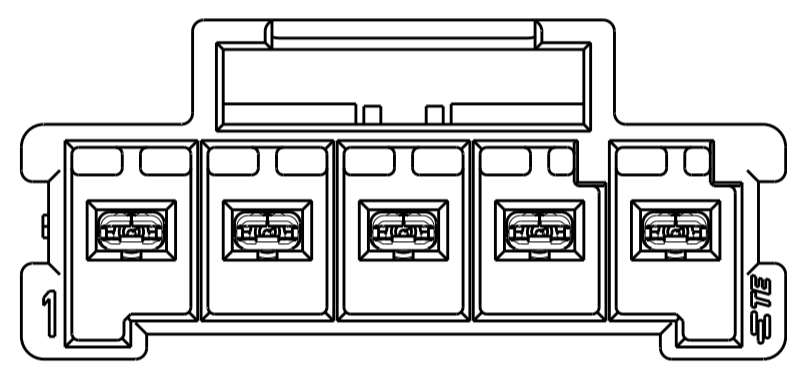
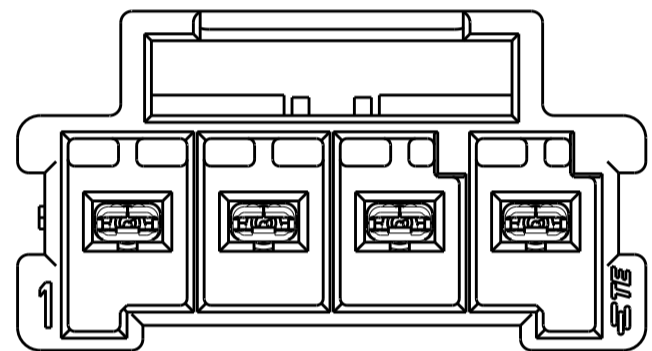
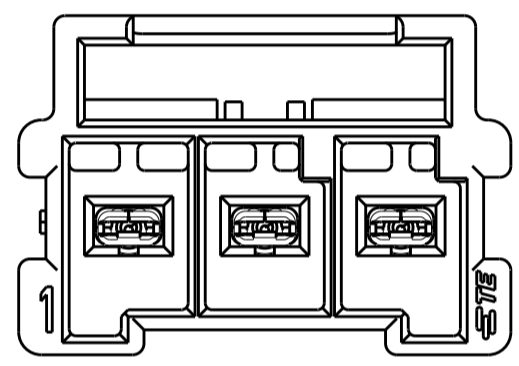
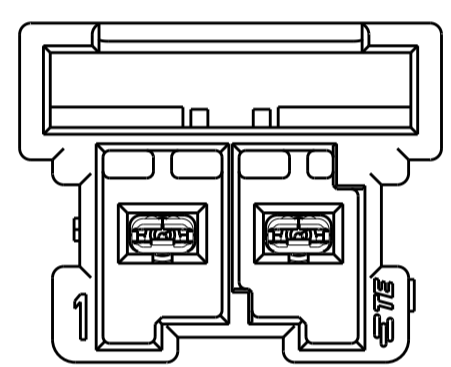
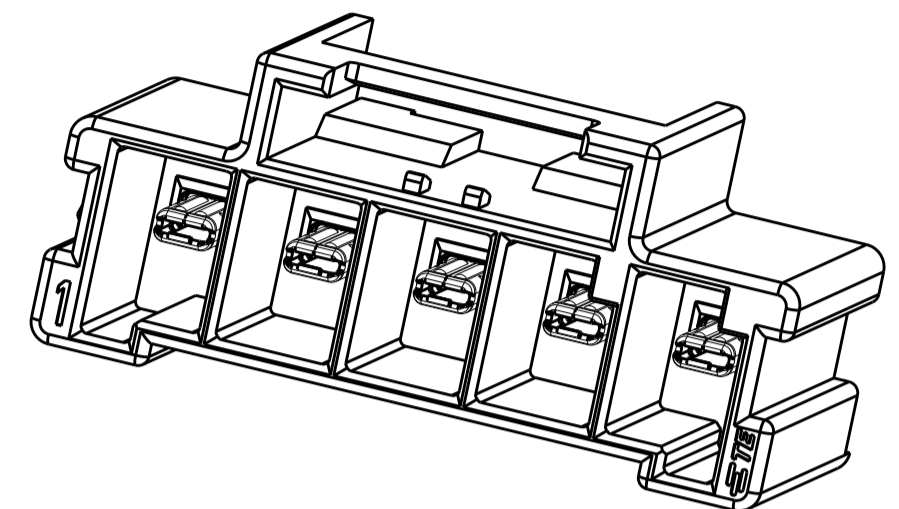
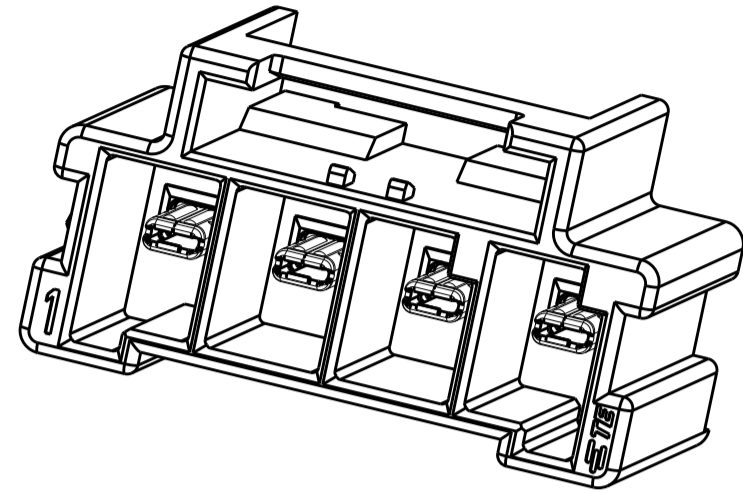
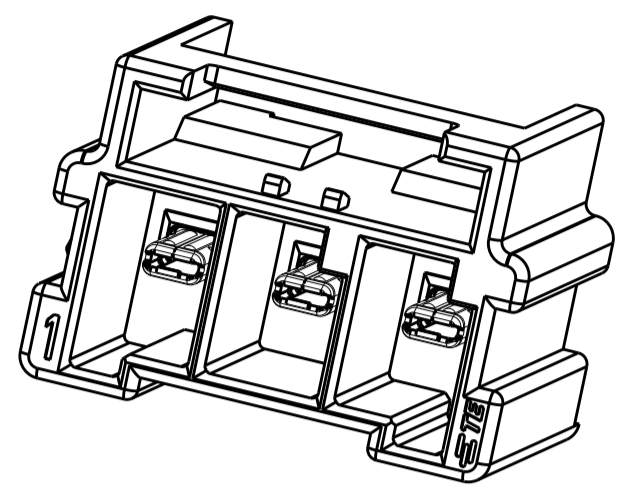
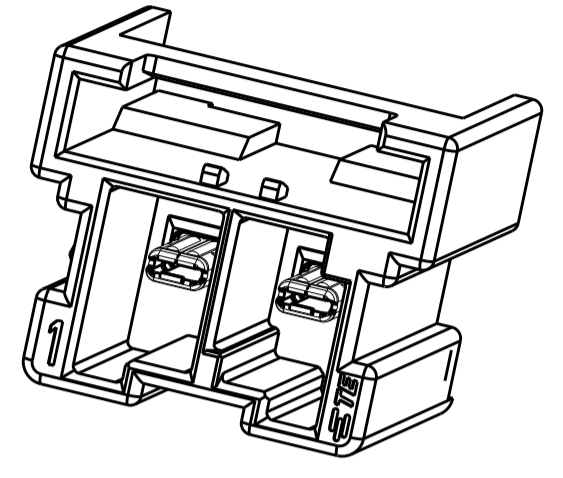
SCALE 3:1
 RECOMMENDED PCB LAYOUT
 WITH A 1.58 THK BOARD

SEE SHEET 3 FOR PART NUMBER TABLE

THIS DRAWING IS A CONTROLLED DOCUMENT.		DWN JR RUTH 05JUN14	TE Connectivity	
DIMENSIONS: mm		CHK DOMINIC FAROLE 05JUN14		
TOLERANCES UNLESS OTHERWISE SPECIFIED:		APVD GENE JACONO 05JUN14	NAME ASSEMBLY, HEADER, POWER TRIPLE LOCK, PC BOARD	
0 PLC ±		PRODUCT SPEC 108-32090	SIZE A2	
1 PLC ±0.3		APPLICATION SPEC 114-32136	CAGE CODE -	
2 PLC ±0.25		WEIGHT -	DRAWING NO C-1969688	
3 PLC ±		RESTRICTED TO -		
4 PLC ±		SCALE 3:1 SHEET 1 OF 3 REV C		
ANGLES ±		Customer Drawing		
FINISH PRE-TIN				

THIS DRAWING IS UNPUBLISHED. RELEASED FOR PUBLICATION
 © COPYRIGHT copyright_d8Te ALL RIGHTS RESERVED.

REVISIONS				
P	LTR	DESCRIPTION	DATE	APVD
-		SEE SHEET 1		

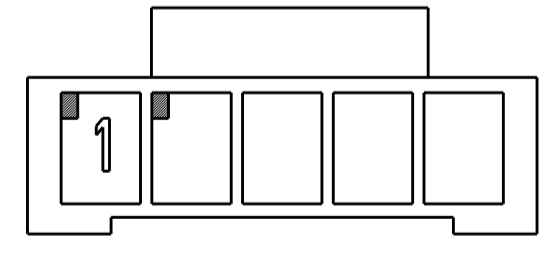
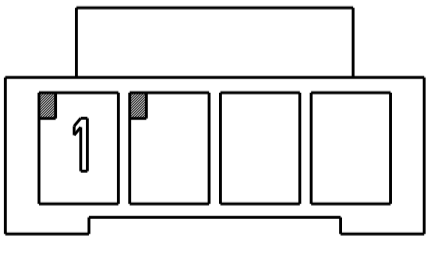
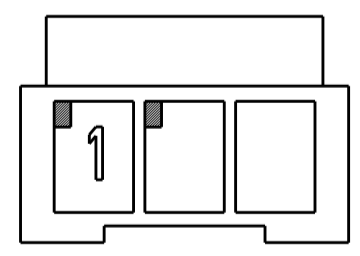
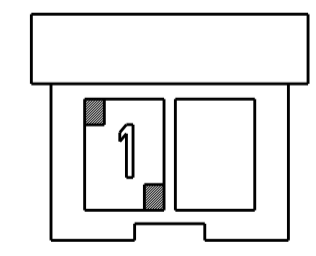


KEY A
SCALE 2:1

POSITION # KEY A
SCALE 2:1

KEY A
SCALE 2:1

KEY A
SCALE 2:1




KEY B
SCALE 2:1

KEY B
SCALE 2:1

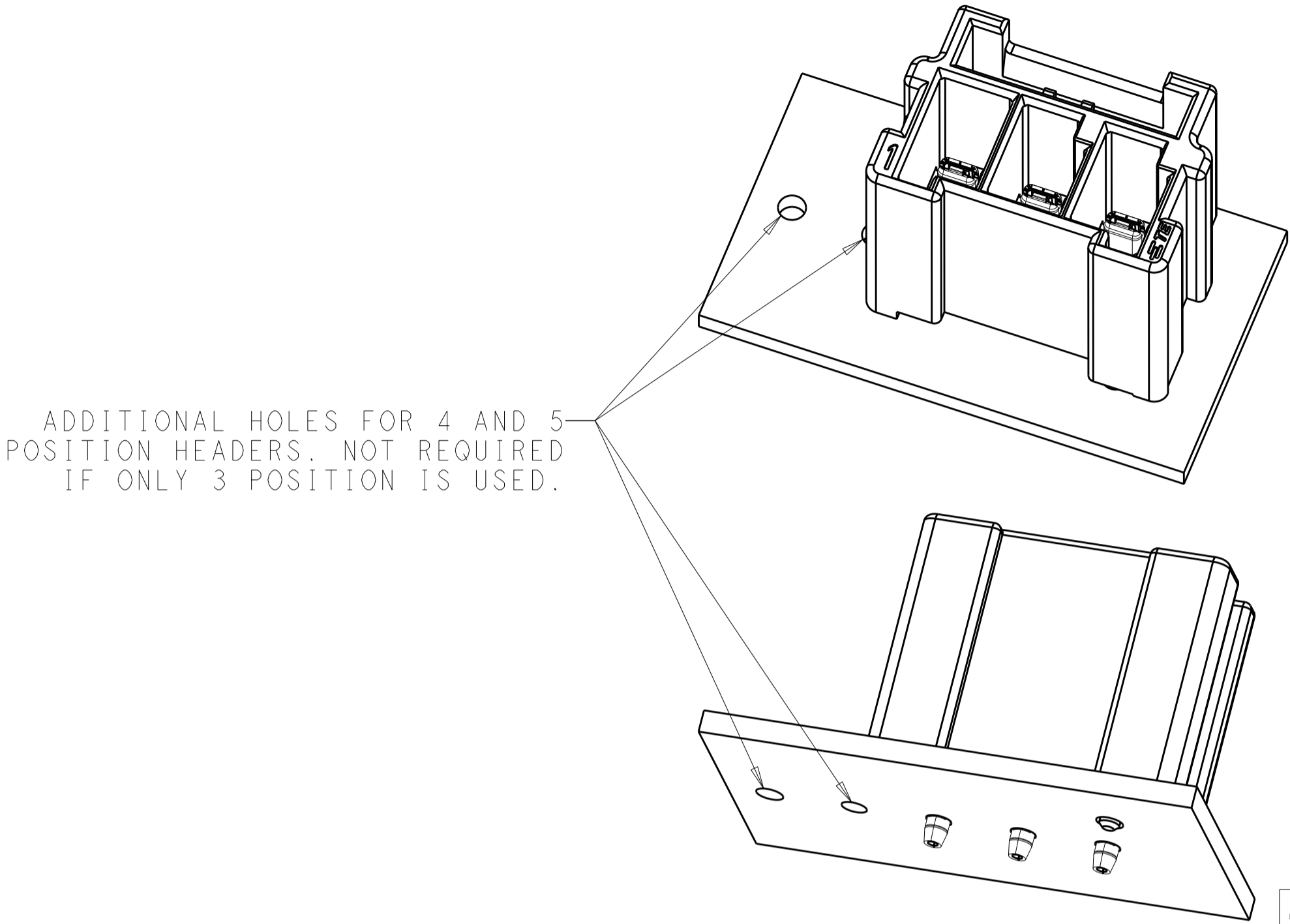
KEY B
SCALE 2:1

KEY B
SCALE 2:1

THIS DRAWING IS A CONTROLLED DOCUMENT.		DWN JR RUTH 05JUN14	 TE Connectivity	
DIMENSIONS: mm		CHK DOMINIC FAROLE 05JUN14		
TOLERANCES UNLESS OTHERWISE SPECIFIED:		APVD GENE JACONO 05JUN14	NAME ASSEMBLY, HEADER, POWER TRIPLE LOCK, PC BOARD	
0 PLC ±		PRODUCT SPEC 108-32090	SIZE A2	
1 PLC ±0.3		APPLICATION SPEC 114-32136	CAGE CODE -	
2 PLC ±0.25		WEIGHT -	DRAWING NO. 1969688	
3 PLC ±		MATERIAL SEE TABLE	RESTRICTED TO -	
4 PLC ±			SCALE 3:1 SHEET 2 OF 3 REV C	
ANGLES ±		Customer Drawing		
FINISH PRE-TIN				

THIS DRAWING IS UNPUBLISHED. RELEASED FOR PUBLICATION
 © COPYRIGHT copyright_dBTe ALL RIGHTS RESERVED.

REVISIONS					
P	LTR	DESCRIPTION	DATE	DWN	APVD
-		SEE SHEET 1			



ADDITIONAL HOLES FOR 4 AND 5 POSITION HEADERS. NOT REQUIRED IF ONLY 3 POSITION IS USED.

3 POSITION SHOWN ON PC BOARD, BOARD NOT SUPPLIED (ILLUSTRATION ONLY)

6-1971773-7	COPPER ALLOY	NYLON PA66 150°C	5	25.10	33.7	31.3	RED	B	2-1969688-5
6-1971773-4			4	19.10	27.7	25.3	RED	B	2-1969688-4
6-1971773-3			3	13.10	21.7	19.3	RED	B	2-1969688-3
6-1971773-2			2	7.10	15.7	13.3	RED	B	2-1969688-2
5-1971773-7	COPPER ALLOY	NYLON PA66 150°C	5	25.10	33.7	31.3	LIGHT GREY	A	1-1969688-5
5-1971773-4			4	19.10	27.7	25.3	LIGHT GREY	A	1-1969688-4
5-1971773-3			3	13.10	21.7	19.3	LIGHT GREY	A	1-1969688-3
9-1971773-2			2	7.10	15.7	13.3	LIGHT GREY	A	1-1969688-2
1-1971773-7	COPPER ALLOY	PBT GF 105°C	5	25.10	33.7	31.3	NATURAL	A	1969688-5
1-1971773-4			4	19.10	27.7	25.3	NATURAL	A	1969688-4
1-1971773-3			3	13.10	21.7	19.3	NATURAL	A	1969688-3
1-1971773-2			2	7.10	15.7	13.3	NATURAL	A	1969688-2
MATING PLUG	CONTACT MATERIAL	HOUSING MATERIAL	NO. OF POS.	DIM P	DIM L	DIM K	COLOR	KEY	PART NUMBER

THIS DRAWING IS A CONTROLLED DOCUMENT.

DWN JR RUTH 05 JUN 14
 CHK DOMINIC FAROLE 05 JUN 14
 APVD GENE JACONO 05 JUN 14

STE TE Connectivity

NAME ASSEMBLY, HEADER, POWER TRIPLE LOCK, PC BOARD

PRODUCT SPEC 108-32090
 APPLICATION SPEC 114-32136

SIZE A2 CAGE CODE - DRAWING NO. C-1969688 RESTRICTED TO -

WEIGHT -

Customer Drawing SCALE 3:1 SHEET 3 OF 3 REV C

DIMENSIONS: mm

TOLERANCES UNLESS OTHERWISE SPECIFIED:

0 PLC	±
1 PLC	±0.3
2 PLC	±0.25
3 PLC	±
4 PLC	±
ANGLES	±
FINISH	±

SEE TABLE PRE-TIN

X-ON Electronics

Largest Supplier of Electrical and Electronic Components

Click to view similar products for [Headers & Wire Housings](#) category:

Click to view products by [TE Connectivity](#) manufacturer:

Other Similar products are found below :

[892-18-020-10-001101](#) [58102-G61-06LF](#) [582553-1](#) [0009485154](#) [009176003701906](#) [0050291907](#) [LY20-4P-DT1-P1E-BR](#) [02.125.8002.8](#)
[609-3404](#) [61062-3](#) [61082-181009](#) [622-3653LF](#) [63453-116](#) [636-1030](#) [636-1427](#) [636-3427](#) [636-4007](#) [641938-9](#) [641991-4](#) [644827-2](#) [65817-](#)
[010LF](#) [65817-015LF](#) [65863-015LF](#) [66207-023LF](#) [67095-007LF](#) [67601157](#) [68645-018](#) [68648-049](#) [70.362.1628.0](#) [70-4210](#) [70-4226B](#) [70-](#)
[4853B](#) [707-5020](#) [707-5028](#) [71.350.2428.0](#) [71918-208LF](#) [71961-016LF](#) [733-134](#) [733-162](#) [754199-000](#) [760-3052](#) [79531-3000](#) [FCN-](#)
[360C032-B](#) [FCN-367T-T012/H](#) [FCN-723D010/2](#) [80.063.4001.1](#) [800-90-001-10-001000](#) [800-90-010-10-002000](#) [801-43-002-10-013000](#)
[801-43-006-10-002000](#)