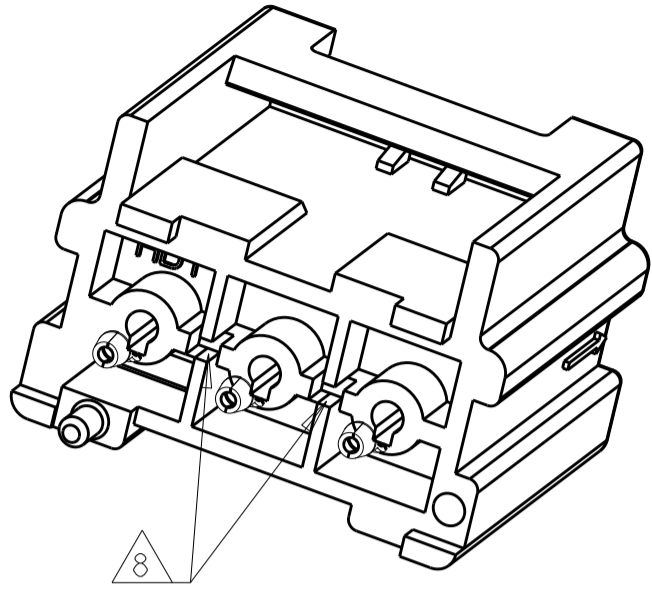
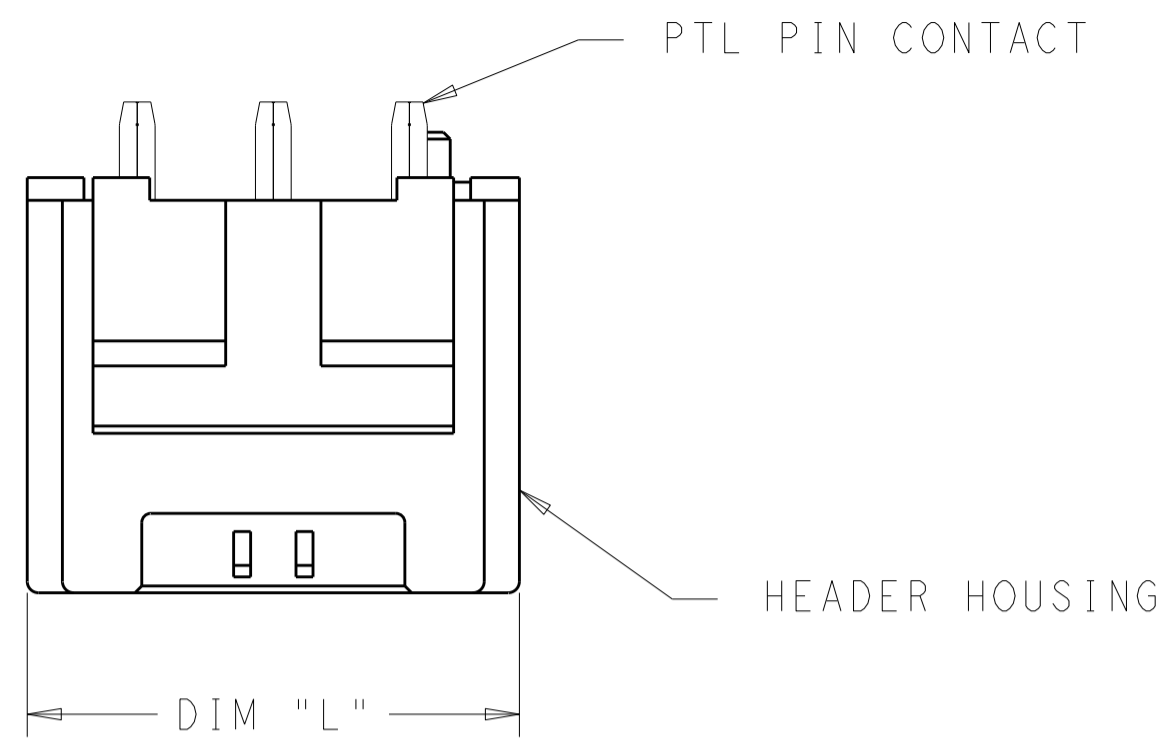
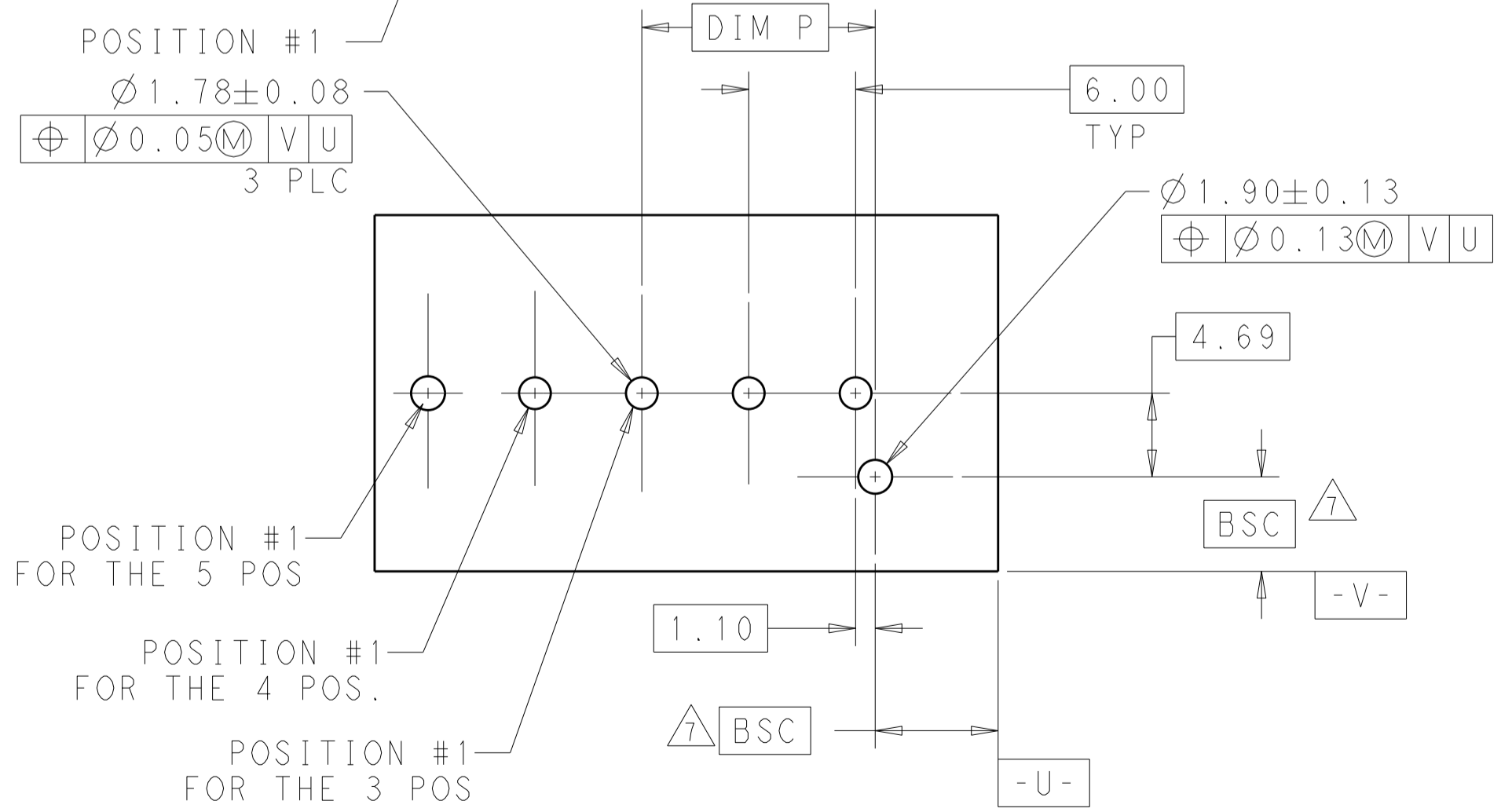
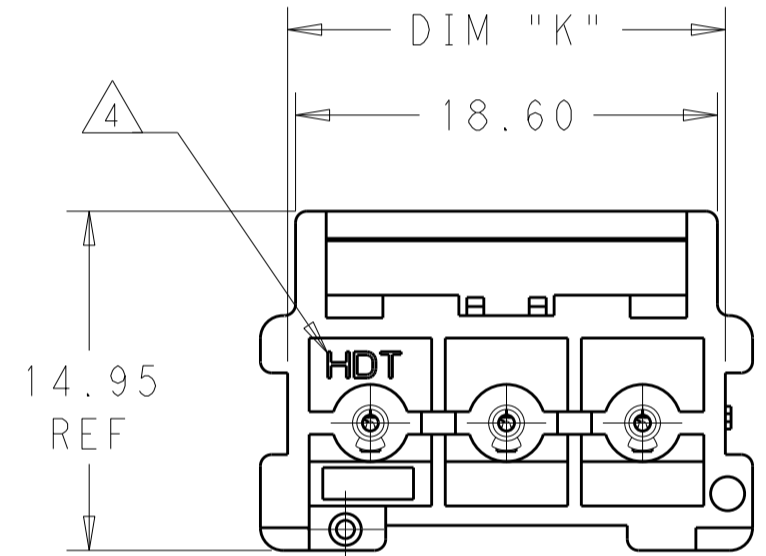


THIS DRAWING IS UNPUBLISHED. RELEASED FOR PUBLICATION  
 © COPYRIGHT copyright\_dBTe- ALL RIGHTS RESERVED.

| REVISIONS |     |                           |           |     |      |
|-----------|-----|---------------------------|-----------|-----|------|
| P         | LTR | DESCRIPTION               | DATE      | DWN | APVD |
| B2        |     | REVISED PER ECR-18-011580 | 24JUL2018 | BKW | GJ   |
| B3        |     | REVISED PER ECR-19-009496 | 17JUN2019 | BKW | GJ   |
| B4        |     | REVISED PER ECR-19-009923 | 03JUL2019 | BKW | DS   |
| C         |     | REVISED PER ECR-19-014974 | 30OCT2019 | PC  | DS   |



- 1 REFER TO TABLE ON SHEET 3 FOR RECOMMENDED MATING PLUG.
- 2 CAN BE SECURED TO THE PLUG WITH OPTIONAL CPA P/N 1971789-1.
- 3 FLAMMABILITY RATED PER UL 94 V-0.
- 4 LEVEL INDICATOR: PBT = STANDARD TEMP/105°C PBT GLASS FILLED  
HDT = HIGH TEMP 150°C NYLON PA66 UNFILLED
- 5 PARTS COMPLY WITH SOLDERABILITY SPEC TEC-109-11-11-1.
- 6 THIS PRODUCT HAS NOT COMPLETED VALIDATION TESTING.
- 7 DATUM AND BASIC DIMENSION ESTABLISHED BY CUSTOMER.
- 8 FEATURE MAY NOT BE PRESENT ON HIGH TEMP VERSIONS
- 9 GLOW WIRE COMPLIANT IN ACCORDANCE WITH IEC 60335-1. THIS IS BASED ON THE PRODUCT MEETING A GWEPT 850°C TEST AND RESIN GWIT GREATER THAN OR EQUAL TO 775°C .



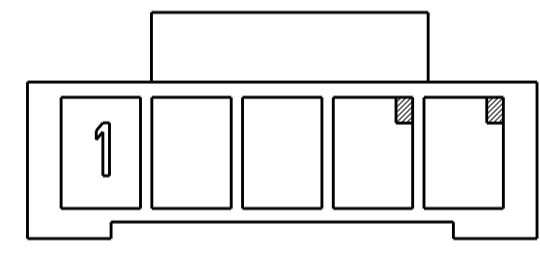
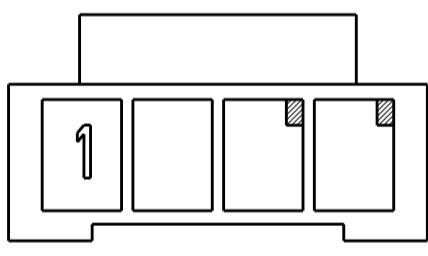
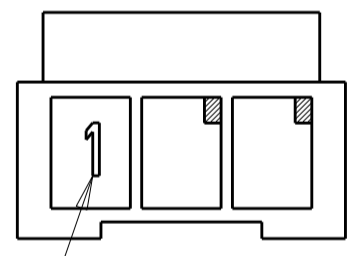
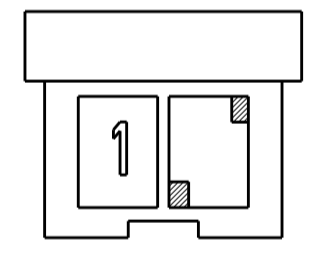
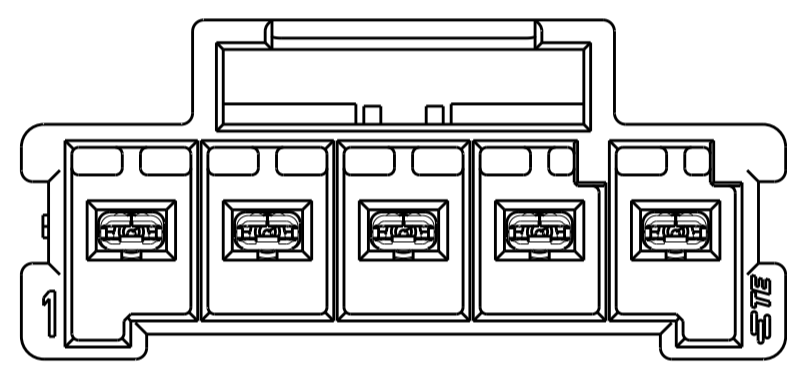
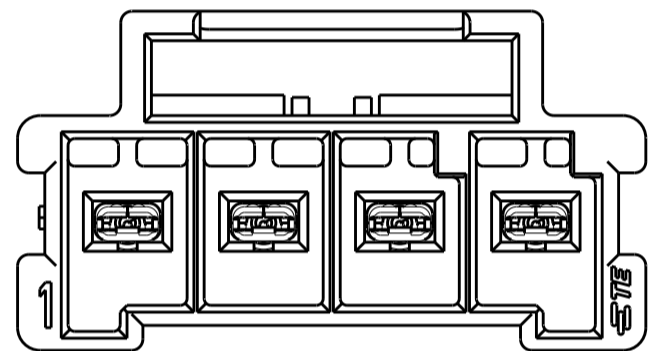
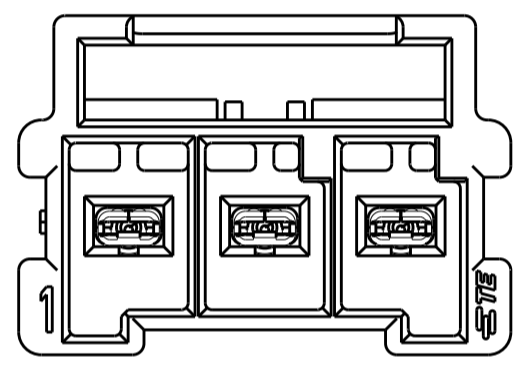
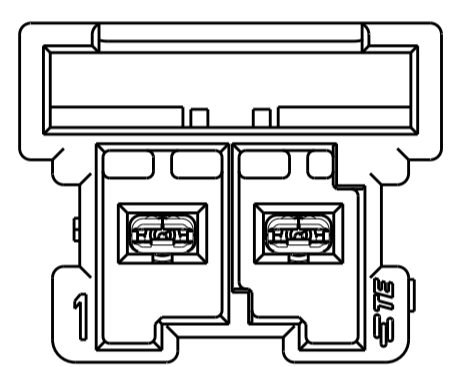
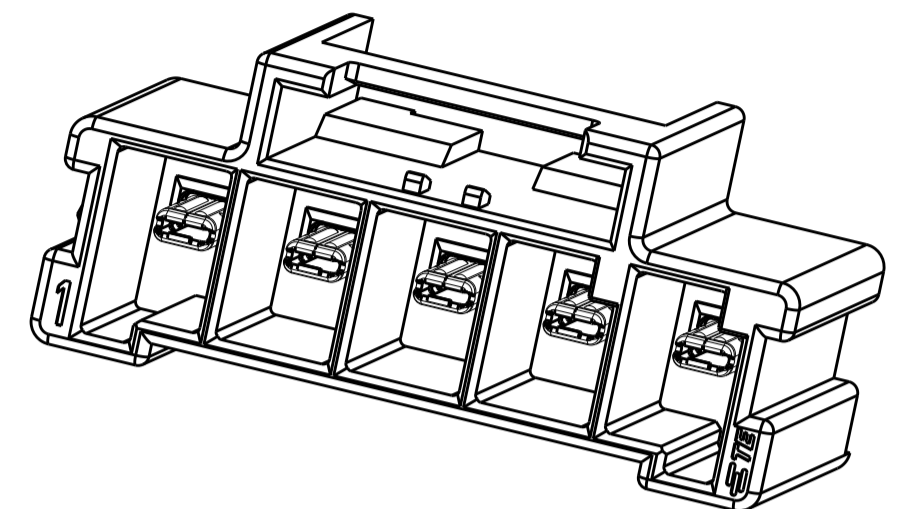
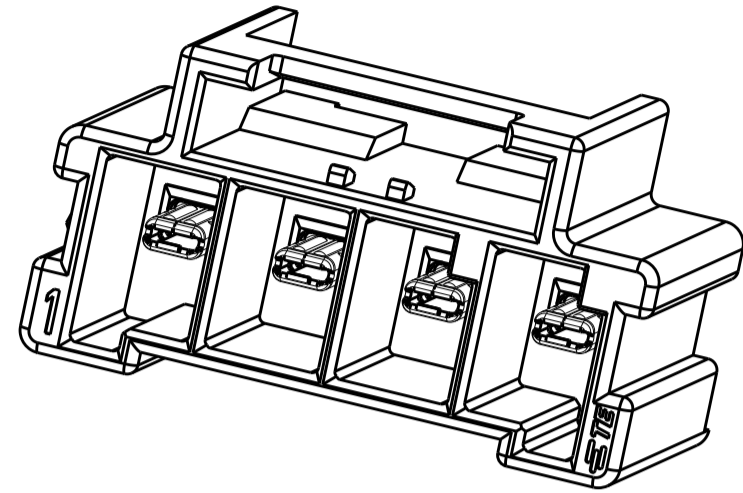
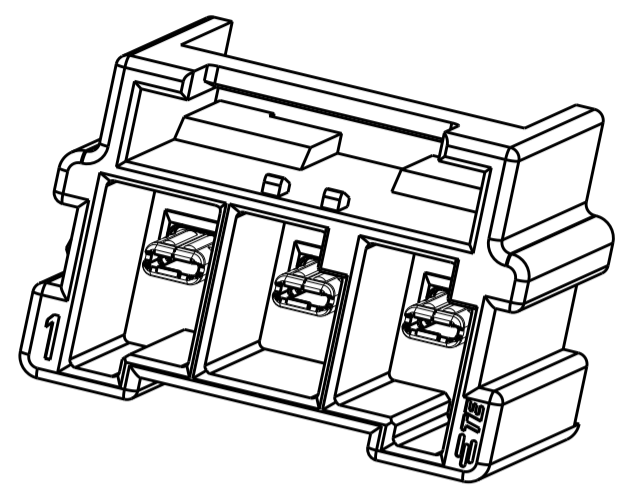
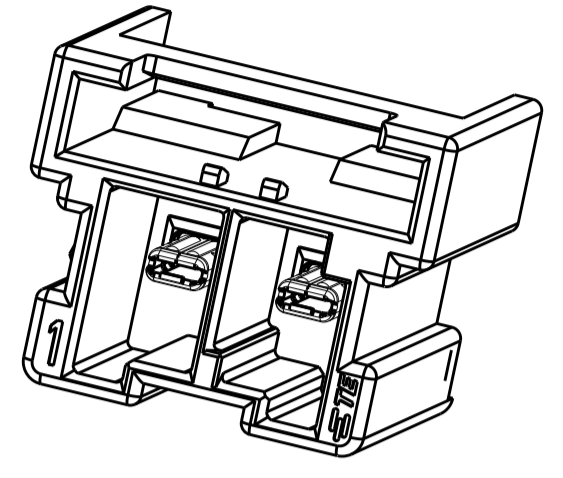
SCALE 3:1  
 RECOMMENDED PCB LAYOUT  
 WITH A 1.58 THK BOARD

SEE SHEET 3 FOR PART NUMBER TABLE

|  |  |                              |  |  |
|--|--|------------------------------|--|--|
| THIS DRAWING IS A CONTROLLED DOCUMENT. |  | DWN JR RUTH 05JUN14          | TE Connectivity                                    |  |
| DIMENSIONS: mm                         |  | CHK DOMINIC FAROLE 05JUN14   |  |  |
| TOLERANCES UNLESS OTHERWISE SPECIFIED: |  | APVD GENE JACONO 05JUN14     | NAME ASSEMBLY, HEADER, POWER TRIPLE LOCK, PC BOARD |  |
| 0 PLC ±                                |  | PRODUCT SPEC 108-32090       | SIZE A2  |  |
| 1 PLC ±0.3                             |  | APPLICATION SPEC 114-32136   | CAGE CODE -  |  |
| 2 PLC ±0.25                            |  | WEIGHT -                     | DRAWING NO C-1969688                               |  |
| 3 PLC ±                                |  | RESTRICTED TO -              |  |  |
| 4 PLC ±                                |  | SCALE 3:1 SHEET 1 OF 3 REV C |  |  |
| ANGLES ±                               |  | Customer Drawing             |  |  |
| FINISH PRE-TIN                         |  |                              |  |  |

THIS DRAWING IS UNPUBLISHED. RELEASED FOR PUBLICATION  
 © COPYRIGHT copyright\_d8Te ALL RIGHTS RESERVED.

| REVISIONS |     |             |      |     |      |
|-----------|-----|-------------|------|-----|------|
| P         | LTR | DESCRIPTION | DATE | DWN | APVD |
| -         |     | SEE SHEET 1 |      |     |      |
|           |     |             |      |     |      |
|           |     |             |      |     |      |

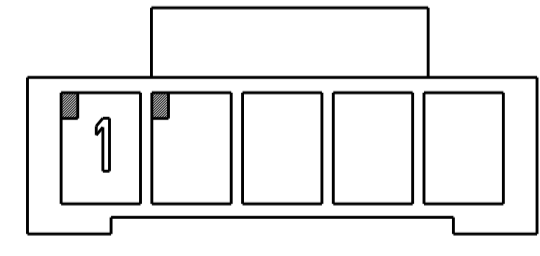
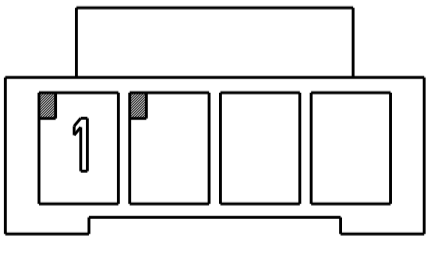
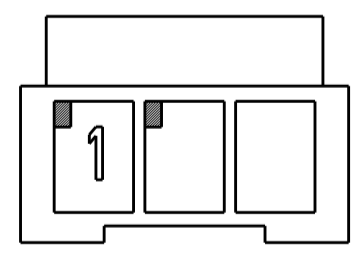
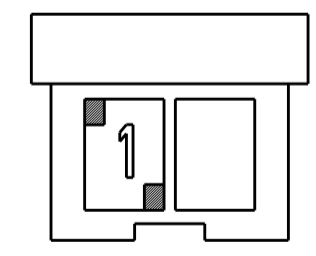


KEY A  
SCALE 2:1

POSITION # KEY A  
SCALE 2:1

KEY A  
SCALE 2:1

KEY A  
SCALE 2:1




KEY B  
SCALE 2:1

KEY B  
SCALE 2:1

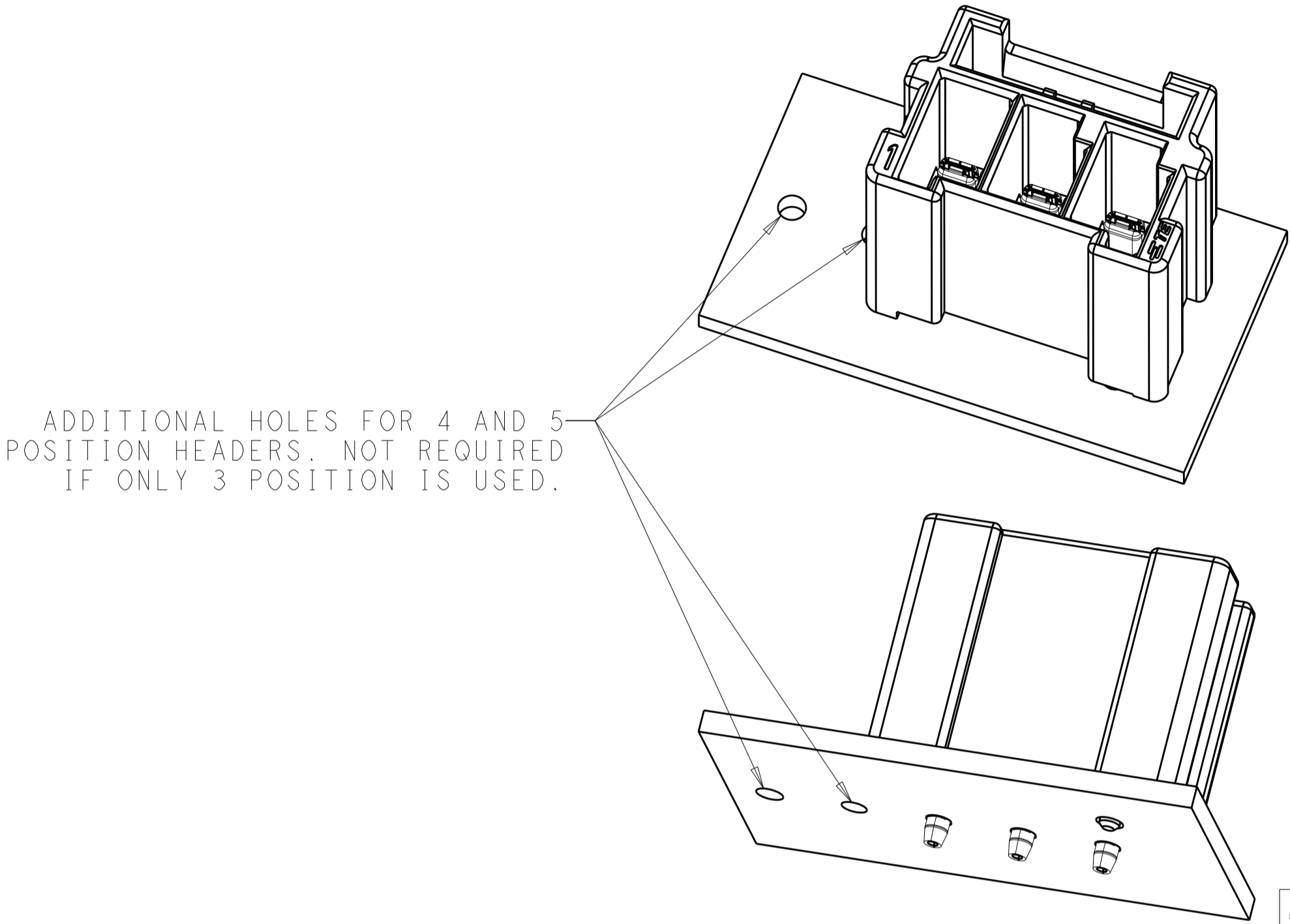
KEY B  
SCALE 2:1

KEY B  
SCALE 2:1

|  |  |  |   |                              |  |
|--|--|--|---|------------------------------|--|
| THIS DRAWING IS A CONTROLLED DOCUMENT.   |  | DWN JR RUTH 05JUN14  |  TE Connectivity |                              |  |
| DIMENSIONS: mm   |  | CHK DOMINIC FAROLE 05JUN14                                       |   |                              | NAME ASSEMBLY, HEADER, POWER TRIPLE LOCK, PC BOARD               |
| TOLERANCES UNLESS OTHERWISE SPECIFIED:   |  | APVD GENE JACONO 05JUN14   |   |                              |  |
| 0 PLC ±<br>1 PLC ±0.3<br>2 PLC ±0.25<br>3 PLC ±<br>4 PLC ±<br>ANGLES ±<br>FINISH ± |  | PRODUCT SPEC 108-32090<br>APPLICATION SPEC 114-32136<br>WEIGHT - |   |                              | SIZE A2<br>CAGE CODE -<br>DRAWING NO. 1969688<br>RESTRICTED TO - |
| SEE TABLE  |  | PRE-TIN  | Customer Drawing  | SCALE 3:1 SHEET 2 OF 3 REV C |  |

THIS DRAWING IS UNPUBLISHED. RELEASED FOR PUBLICATION  
 © COPYRIGHT copyright\_dBTe ALL RIGHTS RESERVED.

| REVISIONS |     |             |      |     |      |
|-----------|-----|-------------|------|-----|------|
| P         | LTR | DESCRIPTION | DATE | DWN | APVD |
| -         |     | SEE SHEET 1 |      |     |      |
|           |     |             |      |     |      |
|           |     |             |      |     |      |



3 POSITION SHOWN ON PC BOARD,  
 BOARD NOT SUPPLIED ( ILLUSTRATION ONLY )

|             |                  |                     |             |       |       |       |            |     |             |
|-------------|------------------|---------------------|-------------|-------|-------|-------|------------|-----|-------------|
| 6-1971773-7 | COPPER ALLOY     | NYLON PA66<br>150°C | 5           | 25.10 | 33.7  | 31.3  | RED        | B   | 2-1969688-5 |
| 6-1971773-4 |                  |                     | 4           | 19.10 | 27.7  | 25.3  | RED        | B   | 2-1969688-4 |
| 6-1971773-3 |                  |                     | 3           | 13.10 | 21.7  | 19.3  | RED        | B   | 2-1969688-3 |
| 6-1971773-2 |                  |                     | 2           | 7.10  | 15.7  | 13.3  | RED        | B   | 2-1969688-2 |
| 5-1971773-7 | COPPER ALLOY     | NYLON PA66<br>150°C | 5           | 25.10 | 33.7  | 31.3  | LIGHT GREY | A   | 1-1969688-5 |
| 5-1971773-4 |                  |                     | 4           | 19.10 | 27.7  | 25.3  | LIGHT GREY | A   | 1-1969688-4 |
| 5-1971773-3 |                  |                     | 3           | 13.10 | 21.7  | 19.3  | LIGHT GREY | A   | 1-1969688-3 |
| 9-1971773-2 |                  |                     | 2           | 7.10  | 15.7  | 13.3  | LIGHT GREY | A   | 1-1969688-2 |
| 1-1971773-7 | COPPER ALLOY     | PBT GF<br>105°C     | 5           | 25.10 | 33.7  | 31.3  | NATURAL    | A   | 1969688-5   |
| 1-1971773-4 |                  |                     | 4           | 19.10 | 27.7  | 25.3  | NATURAL    | A   | 1969688-4   |
| 1-1971773-3 |                  |                     | 3           | 13.10 | 21.7  | 19.3  | NATURAL    | A   | 1969688-3   |
| 1-1971773-2 |                  |                     | 2           | 7.10  | 15.7  | 13.3  | NATURAL    | A   | 1969688-2   |
| MATING PLUG | CONTACT MATERIAL | HOUSING MATERIAL    | NO. OF POS. | DIM P | DIM L | DIM K | COLOR      | KEY | PART NUMBER |

THIS DRAWING IS A CONTROLLED DOCUMENT.

DWN JR RUTH 05 JUN 14  
 CHK DOMINIC FAROLE 05 JUN 14  
 APVD GENE JACONO 05 JUN 14

**STE** TE Connectivity

NAME ASSEMBLY, HEADER, POWER TRIPLE LOCK, PC BOARD

PRODUCT SPEC 108-32090  
 APPLICATION SPEC 114-32136

SIZE A2 CAGE CODE DRAWING NO RESTRICTED TO  
 - - C-1969688 -

SCALE 3:1 SHEET 3 OF 3 REV C

Customer Drawing

## X-ON Electronics

Largest Supplier of Electrical and Electronic Components

*Click to view similar products for [Headers & Wire Housings](#) category:*

*Click to view products by [TE Connectivity](#) manufacturer:*

Other Similar products are found below :

[892-18-020-10-001101](#) [58102-G61-06LF](#) [582553-1](#) [0009485154](#) [009176003701906](#) [0050291907](#) [LY20-4P-DT1-P1E-BR](#) [02.125.8002.8](#)  
[609-3404](#) [61062-3](#) [61082-181009](#) [622-3653LF](#) [63453-116](#) [636-1030](#) [636-1427](#) [636-3427](#) [636-4007](#) [641938-9](#) [641991-4](#) [644827-2](#) [65817-](#)  
[010LF](#) [65817-015LF](#) [65863-015LF](#) [66207-023LF](#) [67095-007LF](#) [67601157](#) [68645-018](#) [68648-049](#) [70.362.1628.0](#) [70-4210](#) [70-4226B](#) [70-](#)  
[4853B](#) [707-5020](#) [707-5028](#) [71.350.2428.0](#) [71918-208LF](#) [71961-016LF](#) [733-134](#) [733-162](#) [754199-000](#) [760-3052](#) [787-8014-00](#) [79531-3000](#)  
[FCN-360C032-B](#) [FCN-367T-T012/H](#) [FCN-723D010/2](#) [80.063.4001.1](#) [800-90-001-10-001000](#) [800-90-010-10-002000](#) [801-43-002-10-013000](#)