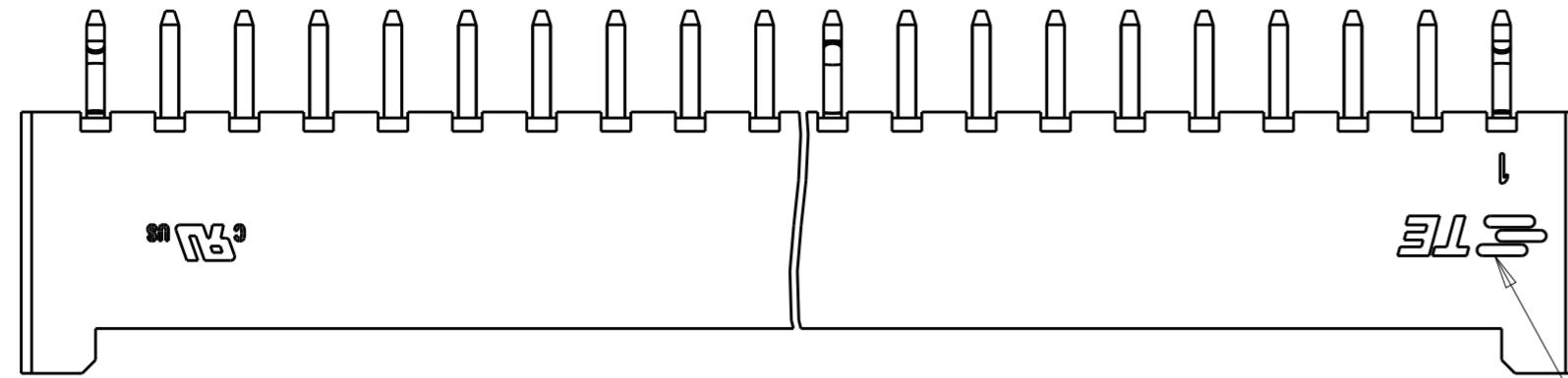


THIS DRAWING IS UNPUBLISHED. RELEASED FOR PUBLICATION 20  
 © COPYRIGHT 20 BY - ALL RIGHTS RESERVED.

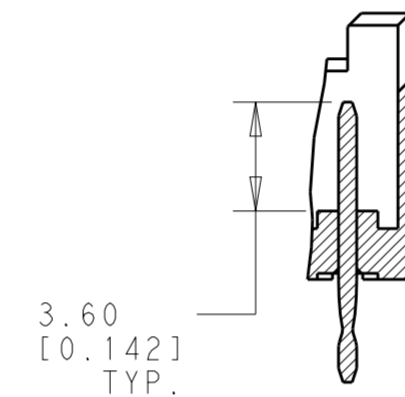
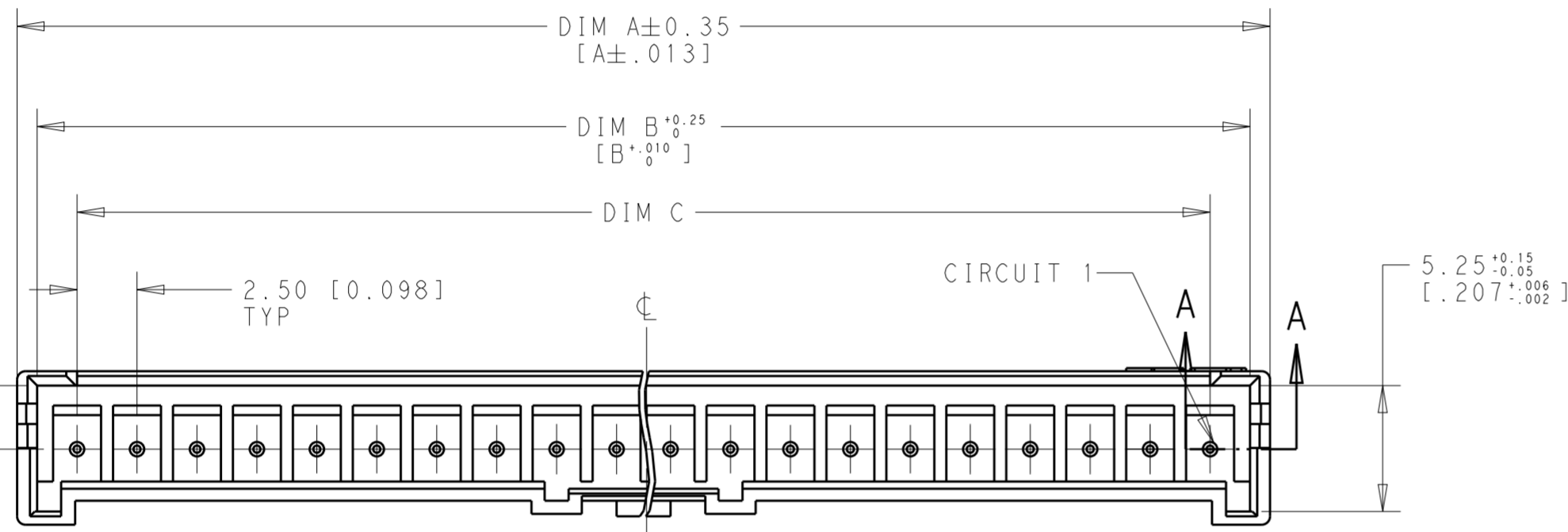
REVISIONS					
P	LTR	DESCRIPTION	DATE	DWN	APVD
	A3	REVISED PER ECR-16-015820	22NOV2016	O.C	D.Z



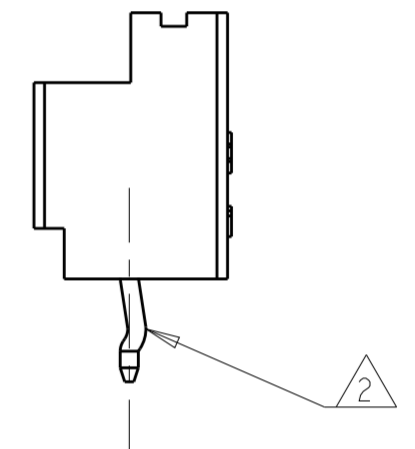
TE LOGO

1 MATERIAL: HOUSING: THERMOPLASTIC, UL94 V0, COLOR: NATURAL.  
 TERMINAL: BRASS, NICKEL UNDER PLATING,  
 Tin PLATING ON PIN AREA.

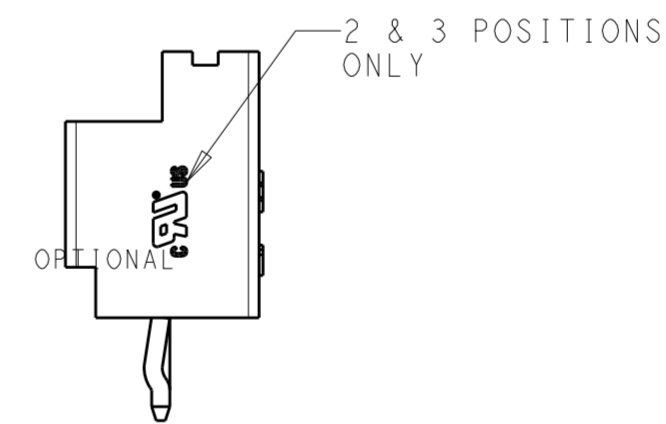
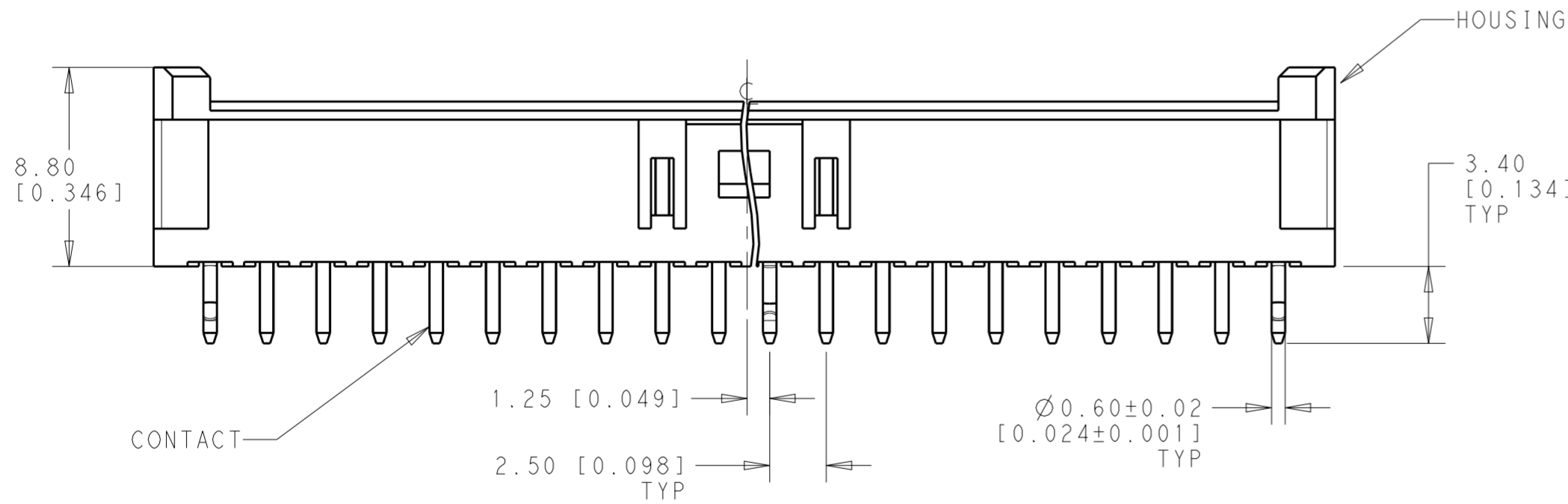
2 CONTACT SOLDER TAIL KINK DIRECTION (BOARLOCK)  
 SEE BELOW TABLE.



SECTION A-A

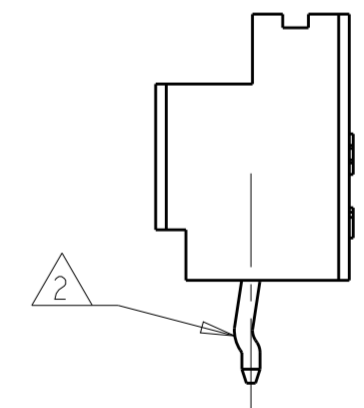


MIDDLE

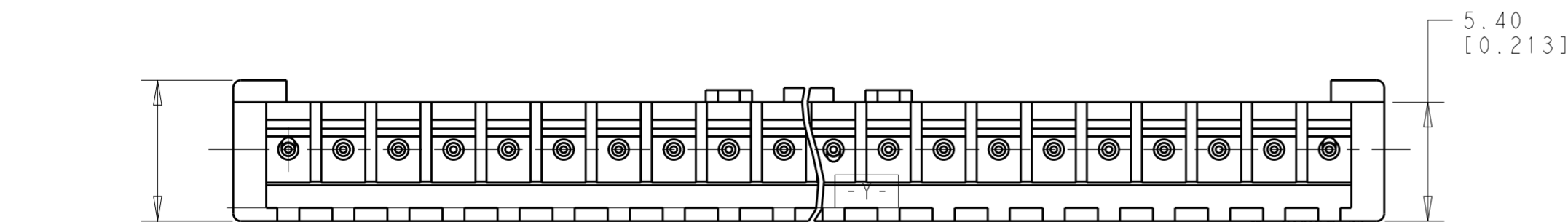


OPTIONAL

2 & 3 POSITIONS ONLY



SIDE

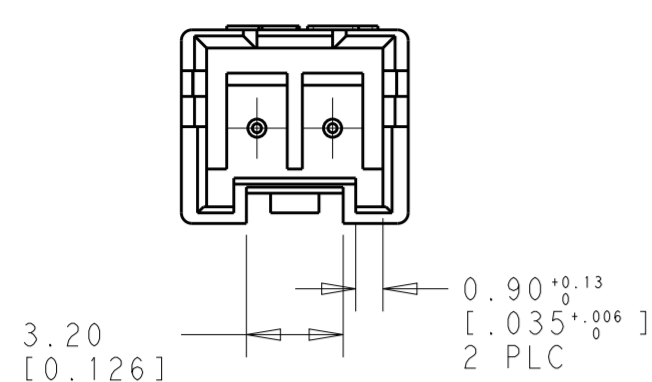


6.40 [0.252]

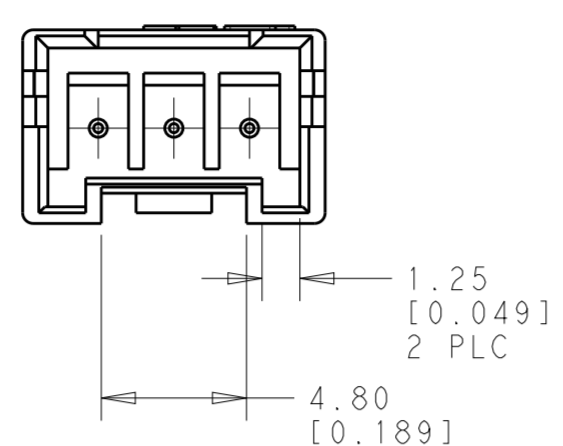
THIS DRAWING IS A CONTROLLED DOCUMENT.		DWN NAGALAKSHMI K	TE Connectivity	
DIMENSIONS: mm [INCHES]		CHK CHIARELLI DAVIDE		
TOLERANCES UNLESS OTHERWISE SPECIFIED:		APVD CHIARELLI DAVIDE	NAME HEADER ASSEMBLY, VERTICAL, ECONOMY POWER, 2.5mm CENTERLINE	
0 PLC ±	1 PLC ±0.30	PRODUCT SPEC 108-2418	SIZE A2	CAGE CODE 00779
2 PLC ±0.20	3 PLC ±	APPLICATION SPEC 114-13315	DRAWING NO C-1969729	RESTRICTED TO -
4 PLC ±	ANGLES ±3°	WEIGHT -	SCALE 4:1	SHEET 1 OF 2
MATERIAL -	FINISH -	CUSTOMER DRAWING	REV A3	

THIS DRAWING IS UNPUBLISHED. RELEASED FOR PUBLICATION 20  
 © COPYRIGHT 20 BY - ALL RIGHTS RESERVED.

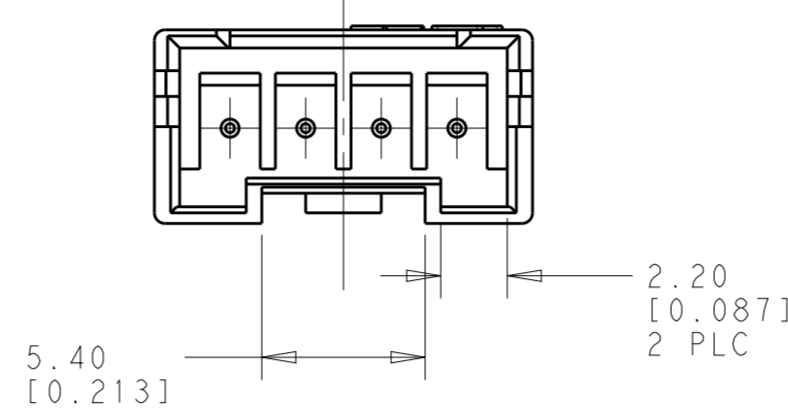
REVISIONS				
P	LTR	DESCRIPTION	DATE	APVD
		SEE SHEET 1		



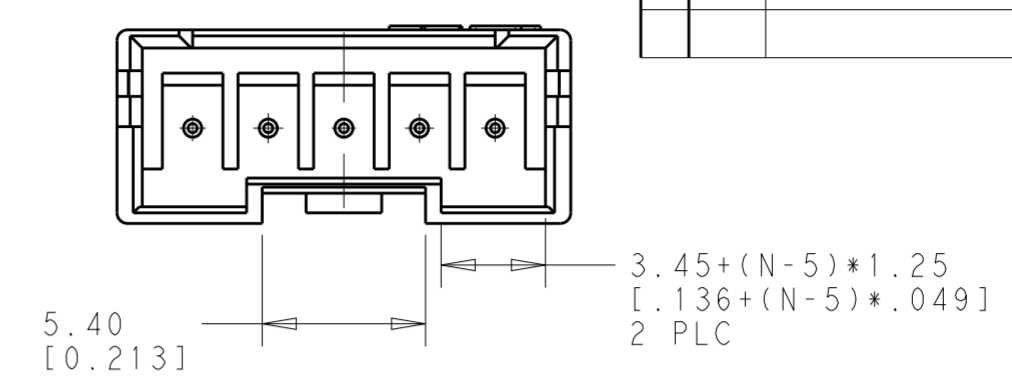
2 POSITION



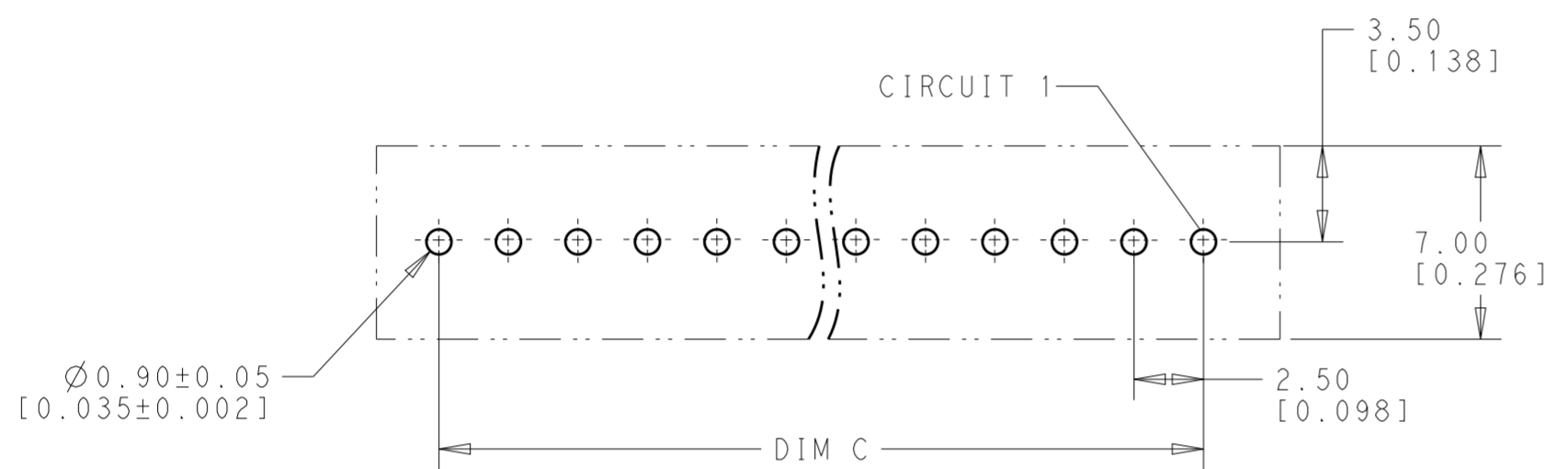
3 POSITION



4 POSITION

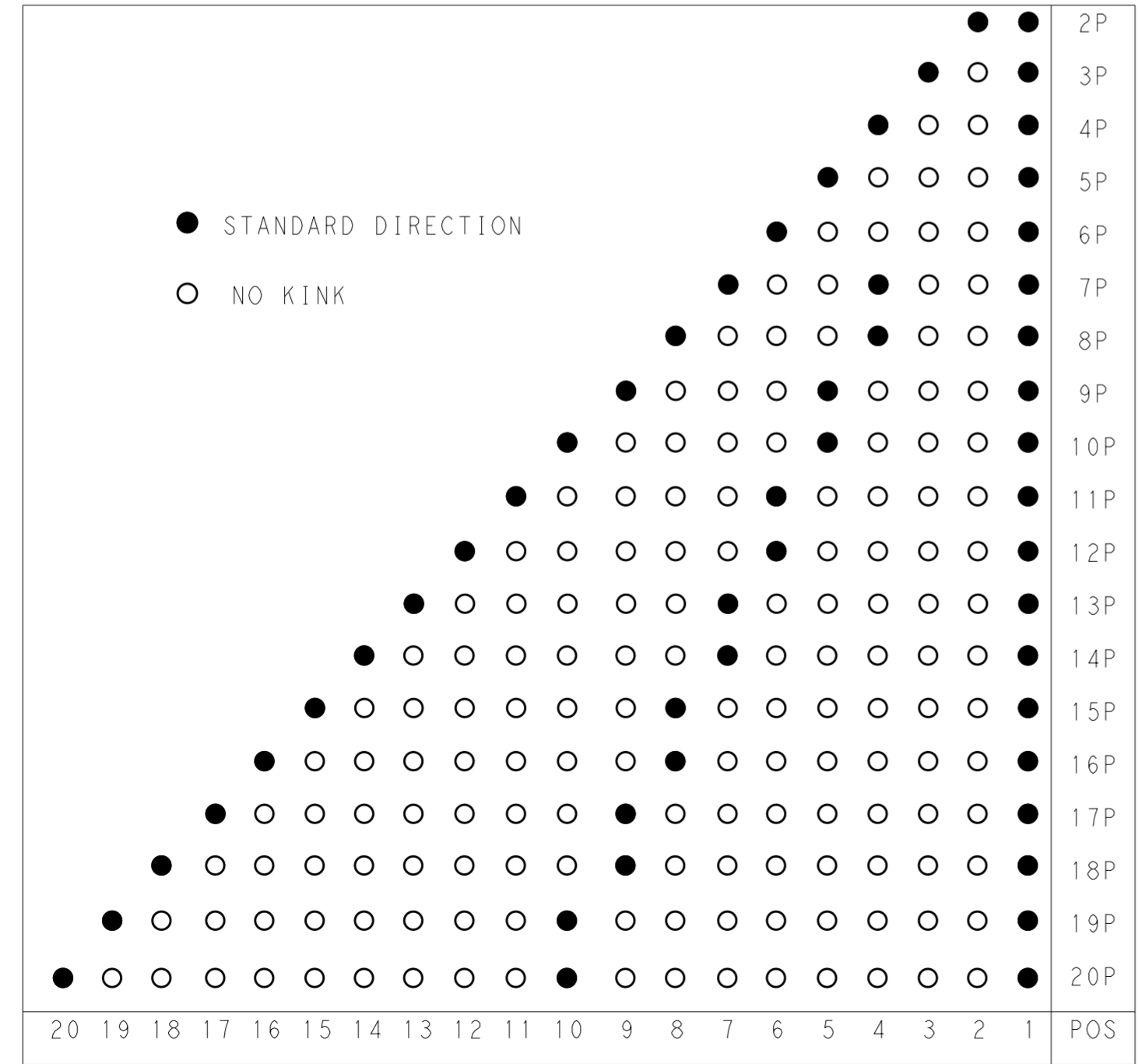


N=5 THRU 20 POSITION



RECOMMENDED PCB LAYOUT

2



47.5 [1.870]	50.83[2.001]	52.5 [2.067]	20	2-1969729-0		
45.0 [1.772]	48.33[1.903]	50.0 [1.968]	19	1-1969729-9		
42.5 [1.673]	45.83[1.804]	47.5 [1.870]	18	1-1969729-8		
40.0 [1.575]	43.33[1.706]	45.0 [1.772]	17	1-1969729-7		
37.5 [1.476]	40.83[1.607]	42.5 [1.673]	16	1-1969729-6		
35.0 [1.378]	38.33[1.510]	40.0 [1.575]	15	1-1969729-5		
32.5 [1.280]	35.83[1.411]	37.5 [1.476]	14	1-1969729-4		
30.0 [1.181]	33.33[1.312]	35.0 [1.378]	13	1-1969729-3		
27.5 [1.083]	30.83[1.214]	32.5 [1.280]	12	1-1969729-2		
25.0 [.984]	28.33[1.115]	30.0 [1.181]	11	1-1969729-1		
22.5 [.886]	25.83[1.016]	27.5 [1.083]	10	1-1969729-0		
20.0 [.787]	23.33[.919]	25.0 [.984]	9	1969729-9		
17.5 [.689]	20.83[.820]	22.5 [.886]	8	1969729-8		
15.0 [.591]	18.33[.722]	20.0 [.787]	7	1969729-7		
12.5 [.492]	15.83[.623]	17.5 [.689]	6	1969729-6		
10.0 [.395]	13.33[.525]	15.0 [.591]	5	1969729-5		
7.5 [.295]	10.83[.426]	12.5 [.492]	4	1969729-4		
5.0 [.197]	8.33[.328]	10.0 [.395]	3	1969729-3		
2.5 [.098]	5.83[.229]	7.5 [.295]	2	1969729-2		
DIM C			DIM B	DIM A	POS	PART NO

THIS DRAWING IS A CONTROLLED DOCUMENT.

DWN: NAGALAKSHMI K. 04 JUN 2016  
 CHK: CHIARELLI DAVIDE 04 JUN 2016  
 APVD: CHIARELLI DAVIDE 04 JUN 2016

**STE** TE Connectivity

NAME: HEADER ASSEMBLY, VERTICAL, ECONOMY POWER, 2.5mm CENTERLINE

PRODUCT SPEC: 108-2418  
 APPLICATION SPEC: 114-13315

MATERIAL: -  
 FINISH: -

WEIGHT: -

SIZE: A2 CAGE CODE: 00779 DRAWING NO: C-1969729 RESTRICTED TO: -

CUSTOMER DRAWING SCALE: 4:1 SHEET: 2 OF 2 REV: A3

## X-ON Electronics

Largest Supplier of Electrical and Electronic Components

*Click to view similar products for [Headers & Wire Housings](#) category:*

*Click to view products by [TE Connectivity](#) manufacturer:*

Other Similar products are found below :

[892-18-020-10-001101](#) [58102-G61-06LF](#) [582553-1](#) [0009485154](#) [009176003701906](#) [0050291907](#) [LY20-4P-DT1-P1E-BR](#) [02.125.8002.8](#)  
[609-3404](#) [61062-3](#) [61082-181009](#) [622-3653LF](#) [63453-116](#) [636-1030](#) [636-1427](#) [636-3427](#) [636-4007](#) [641938-9](#) [641991-4](#) [644827-2](#) [65817-](#)  
[010LF](#) [65817-015LF](#) [65863-015LF](#) [66207-023LF](#) [67095-007LF](#) [67601157](#) [68645-018](#) [68648-049](#) [70.362.1628.0](#) [70-4210](#) [70-4226B](#) [70-](#)  
[4853B](#) [707-5020](#) [707-5028](#) [71.350.2428.0](#) [71918-208LF](#) [71961-016LF](#) [733-134](#) [733-162](#) [754199-000](#) [760-3052](#) [787-8014-00](#) [79531-3000](#)  
[FCN-360C032-B](#) [FCN-367T-T012/H](#) [FCN-723D010/2](#) [80.063.4001.1](#) [800-90-001-10-001000](#) [800-90-010-10-002000](#) [801-43-002-10-013000](#)