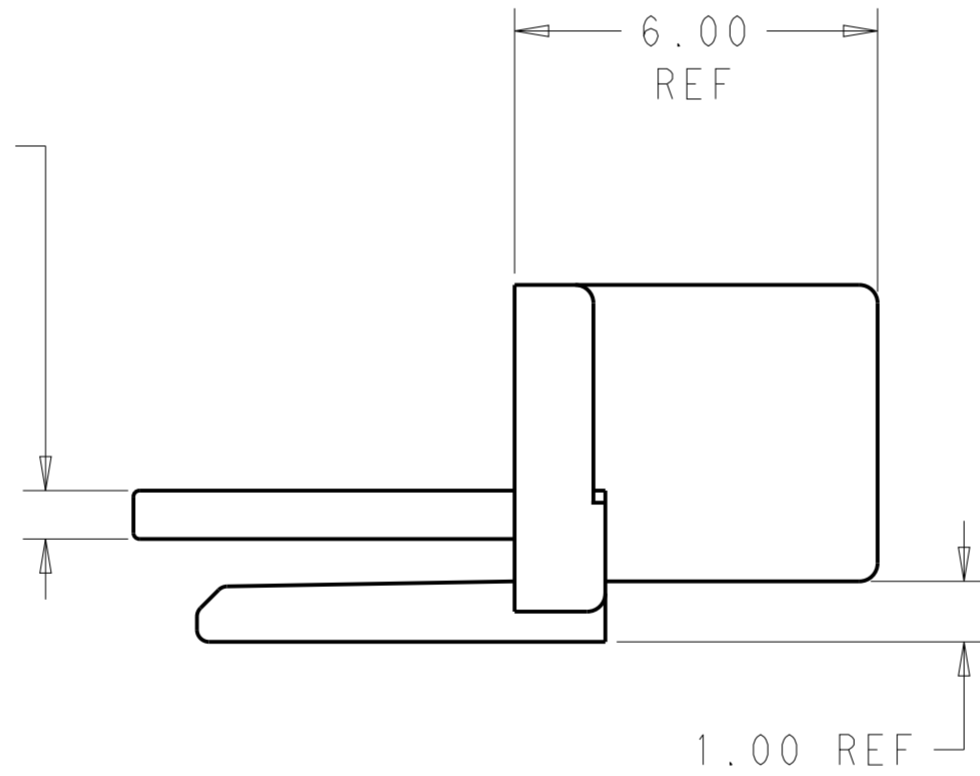
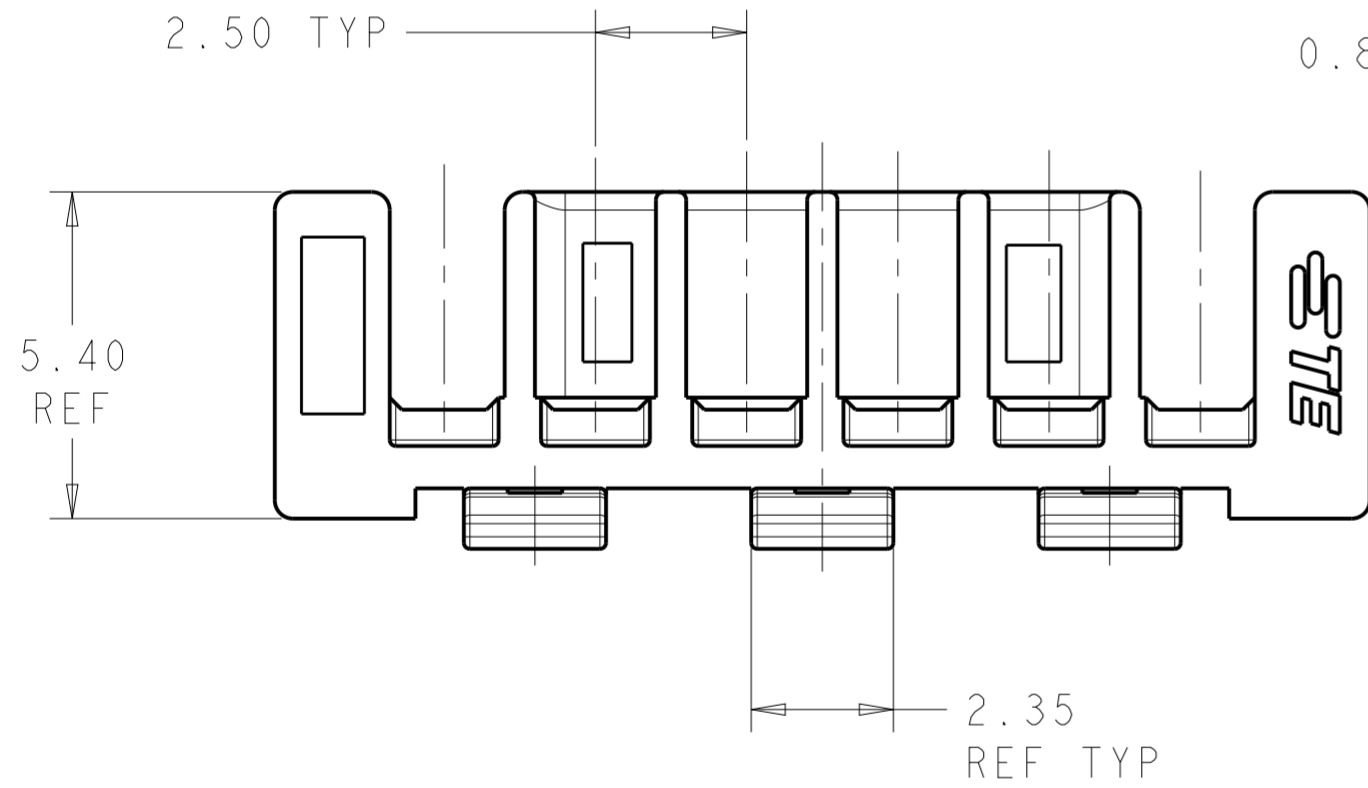
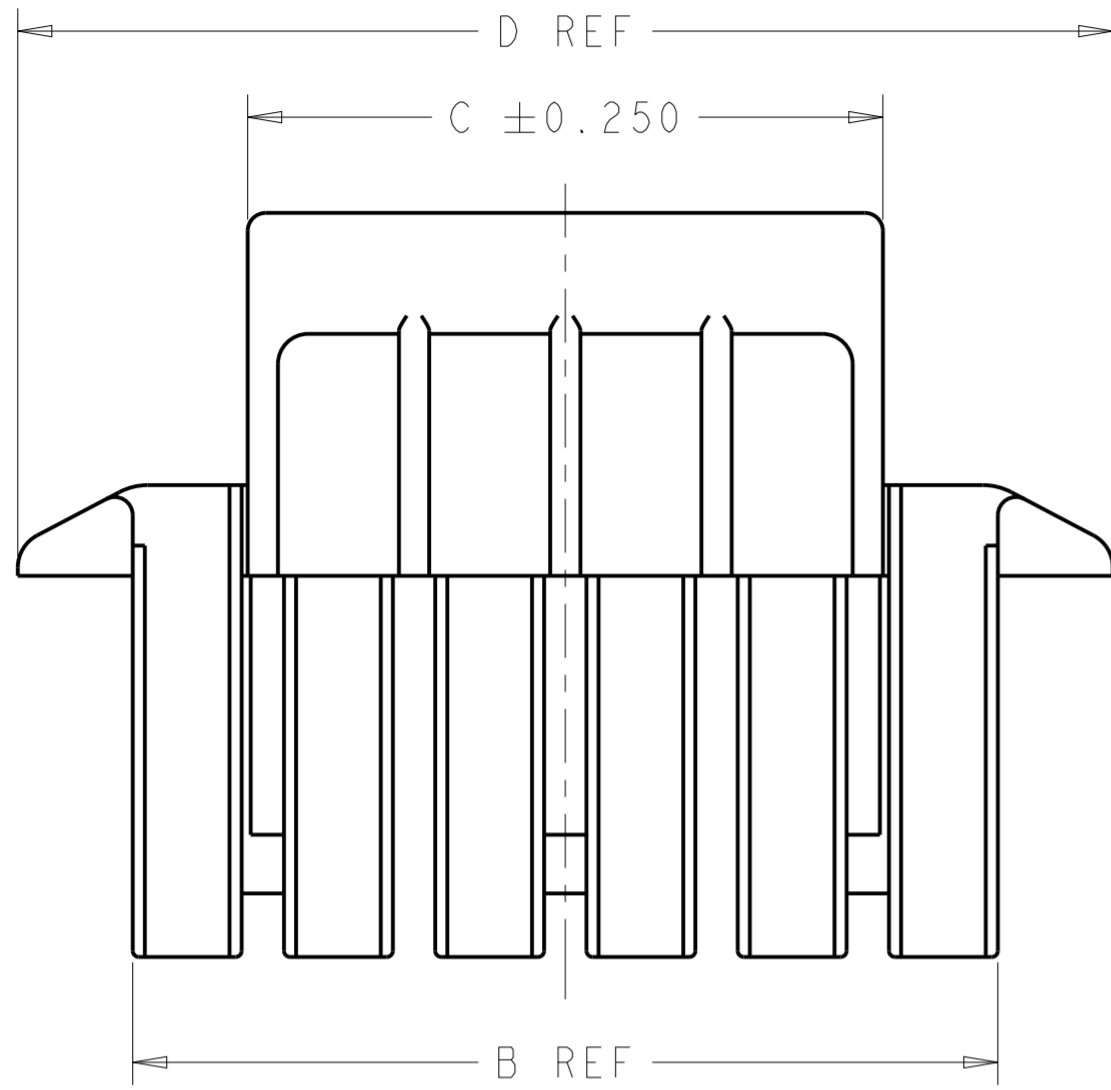


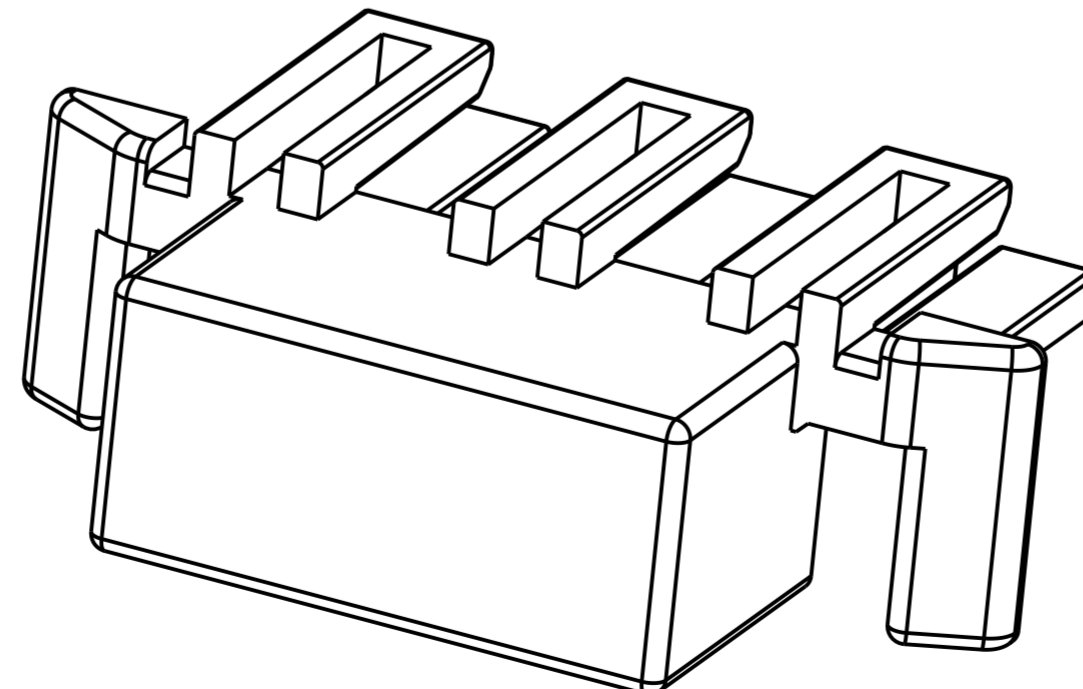
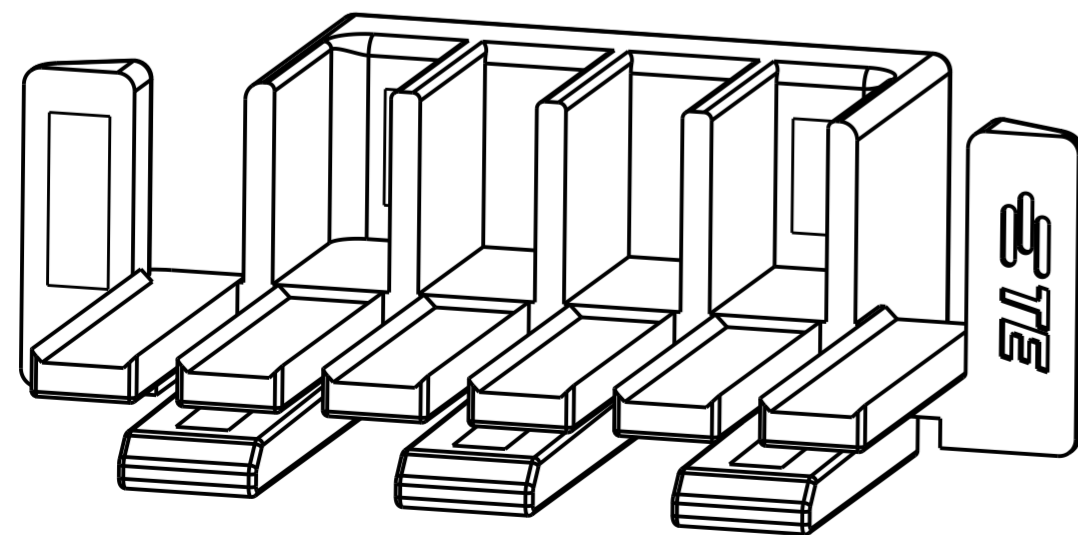
THIS DRAWING IS UNPUBLISHED. RELEASED FOR PUBLICATION
 © COPYRIGHT copyright.d8Te- ALL RIGHTS RESERVED.

| REVISIONS | | | | |
|-----------|-----|----------------------------|-----------|-------|
| P | LTR | DESCRIPTION | DATE | APVD |
| B | | RELEASED PER ECR-21-100757 | 04MAR2021 | SK DZ |
| | | | | |
| | | | | |



- 1 MATERIAL; HIGH PERFORMANCE RISIN, UL94-V0, GLASS FILLED, COLOR - BLACK
- 2 MATES WITH HOUSING 1969442-(X)

| | | | | |
|-------|-------|-------|-----------|-------------|
| 53.1 | 10.5 | 49.3 | 20 | 2-1969825-0 |
| 50.6 | 13 | 46.8 | 19 | 1-1969825-9 |
| 48.1 | 10.5 | 44.3 | 18 | 1-1969825-8 |
| 45.6 | 13 | 41.8 | 17 | 1-1969825-7 |
| 43.1 | 10.5 | 39.3 | 16 | 1-1969825-6 |
| 40.6 | 13 | 36.8 | 15 | 1-1969825-5 |
| 38.1 | 10.5 | 34.3 | 14 | 1-1969825-4 |
| 35.6 | 13 | 31.8 | 13 | 1-1969825-3 |
| 33.1 | 10.5 | 29.3 | 12 | 1-1969825-2 |
| 30.6 | 13 | 26.8 | 11 | 1-1969825-1 |
| 28.1 | 10.5 | 24.3 | 10 | 1-1969825-0 |
| 25.6 | 13 | 21.8 | 9 | 1969825-9 |
| 23.1 | 10.5 | 19.3 | 8 | 1969825-8 |
| 20.6 | 13 | 16.8 | 7 | 1969825-7 |
| 18.1 | 10.5 | 14.3 | 6 | 1969825-6 |
| 15.6 | 13 | 11.8 | 5 | 1969825-5 |
| 13.1 | 10.5 | 9.3 | 4 | 1969825-4 |
| 10.6 | 8 | 6.8 | 3 | 1969825-3 |
| 8.1 | 5.5 | 4.3 | 2 | 1969825-2 |
| DIM D | DIM C | DIM B | POSITIONS | PART NO. |



THIS DRAWING IS A CONTROLLED DOCUMENT.

| | | | |
|-------------|--|------------------|-------------------|
| DIMENSIONS: | TOLERANCES UNLESS OTHERWISE SPECIFIED: | DWN | 20-Jan-16 |
| mm | 0 PLC ± | CHK | JR RUTH 20JAN16 |
| | 1 PLC ± | D | D. FAROLE 20JAN16 |
| | 2 PLC ±0.13 | APVD | D. FAROLE 20JAN16 |
| | 3 PLC ± | PRODUCT SPEC | |
| | 4 PLC ± | APPLICATION SPEC | |
| | ANGLES ± | WEIGHT | |
| | FINISH ± | CUSTOMER DRAWING | |

NAME: ECONOMY POWER 2.5 TPA RETAINER

SIZE: A2 CAGE CODE: - DRAWING NO: C-1969825 RESTRICTED TO: -

SCALE: N/A SHEET 1 OF 1 REV B

X-ON Electronics

Largest Supplier of Electrical and Electronic Components

Click to view similar products for [Headers & Wire Housings](#) category:

Click to view products by [TE Connectivity](#) manufacturer:

Other Similar products are found below :

[892-18-020-10-001101](#) [58102-G61-06LF](#) [582553-1](#) [0009485154](#) [009176003701906](#) [0050291907](#) [LY20-4P-DT1-P1E-BR](#) [02.125.8002.8](#)
[609-3404](#) [61062-3](#) [61082-181009](#) [622-3653LF](#) [63453-116](#) [636-1030](#) [636-1427](#) [636-3427](#) [636-4007](#) [641938-9](#) [641991-4](#) [644827-2](#) [65817-](#)
[010LF](#) [65817-015LF](#) [65863-015LF](#) [66207-023LF](#) [67095-007LF](#) [67601157](#) [68645-018](#) [68648-049](#) [70.362.1628.0](#) [70-4210](#) [70-4226B](#) [70-](#)
[4853B](#) [707-5020](#) [707-5028](#) [71.350.2428.0](#) [71918-208LF](#) [71961-016LF](#) [733-134](#) [733-162](#) [754199-000](#) [760-3052](#) [787-8014-00](#) [79531-3000](#)
[FCN-360C032-B](#) [FCN-367T-T012/H](#) [FCN-723D010/2](#) [80.063.4001.1](#) [800-90-001-10-001000](#) [800-90-010-10-002000](#) [801-43-002-10-013000](#)