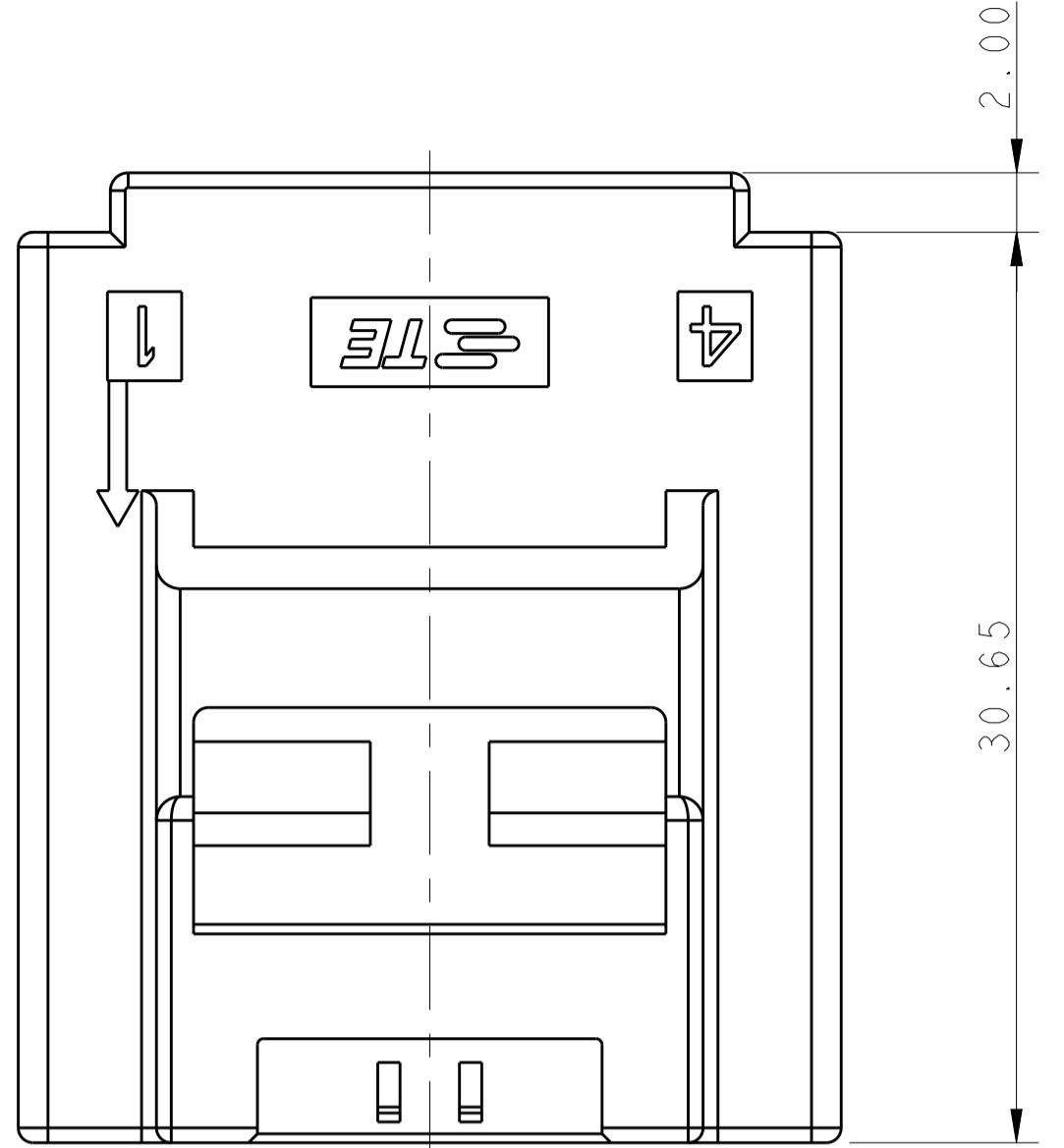
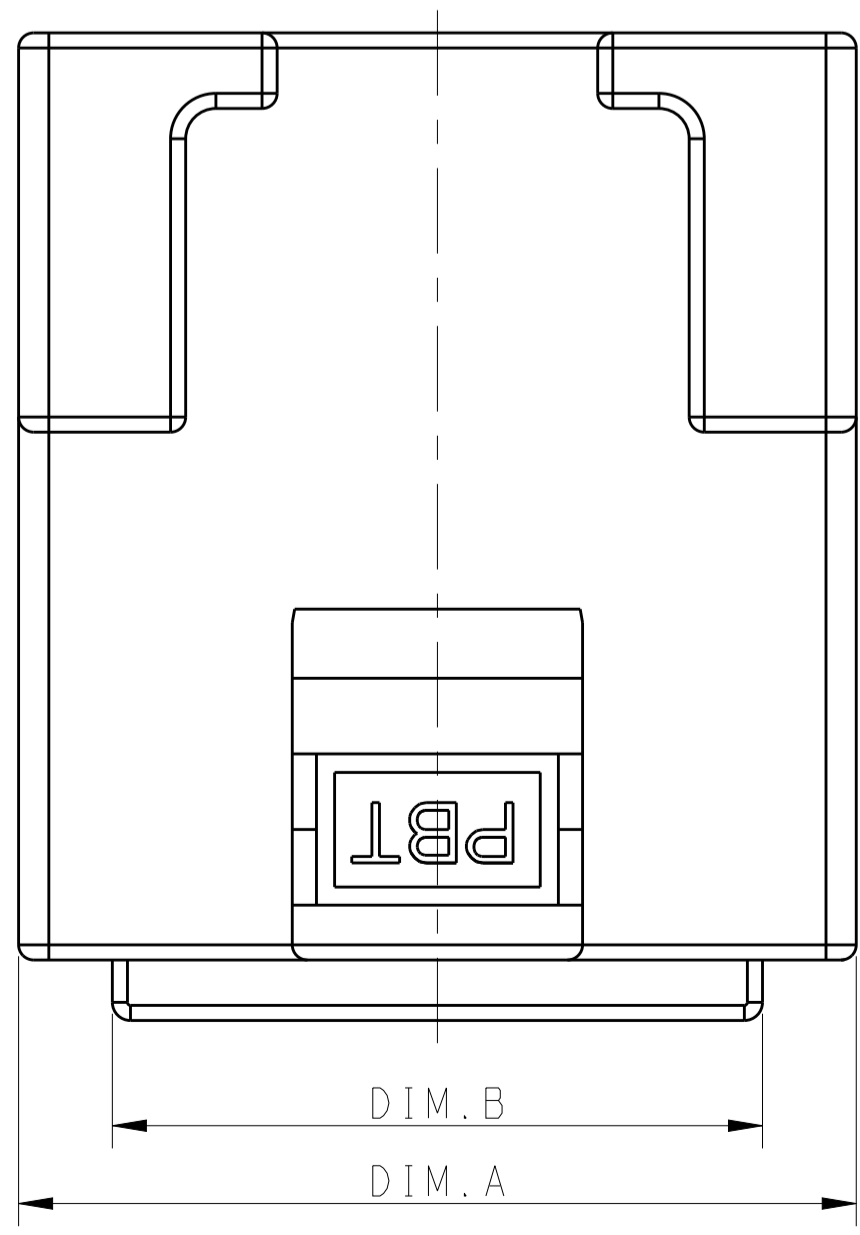
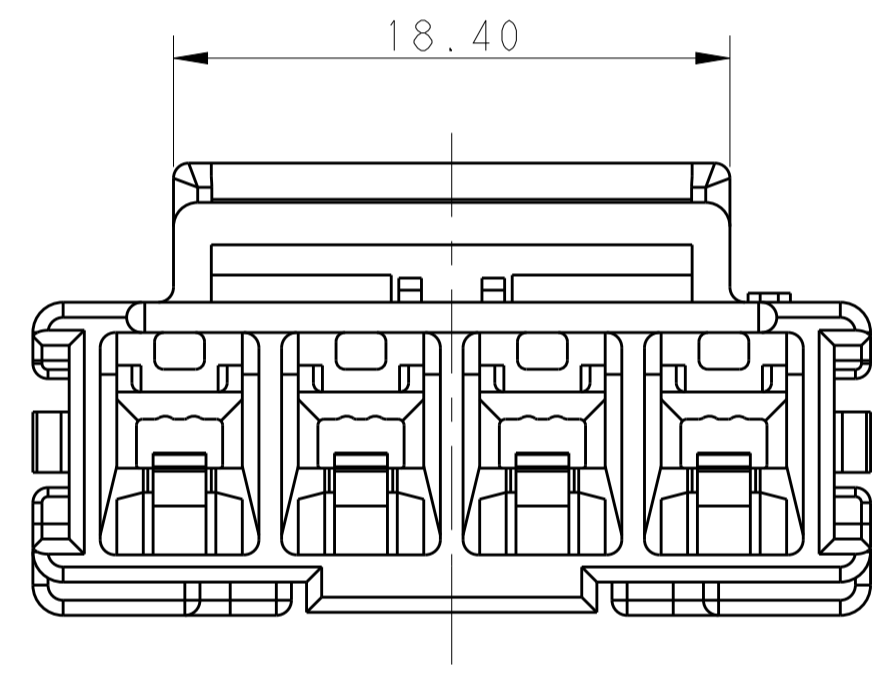
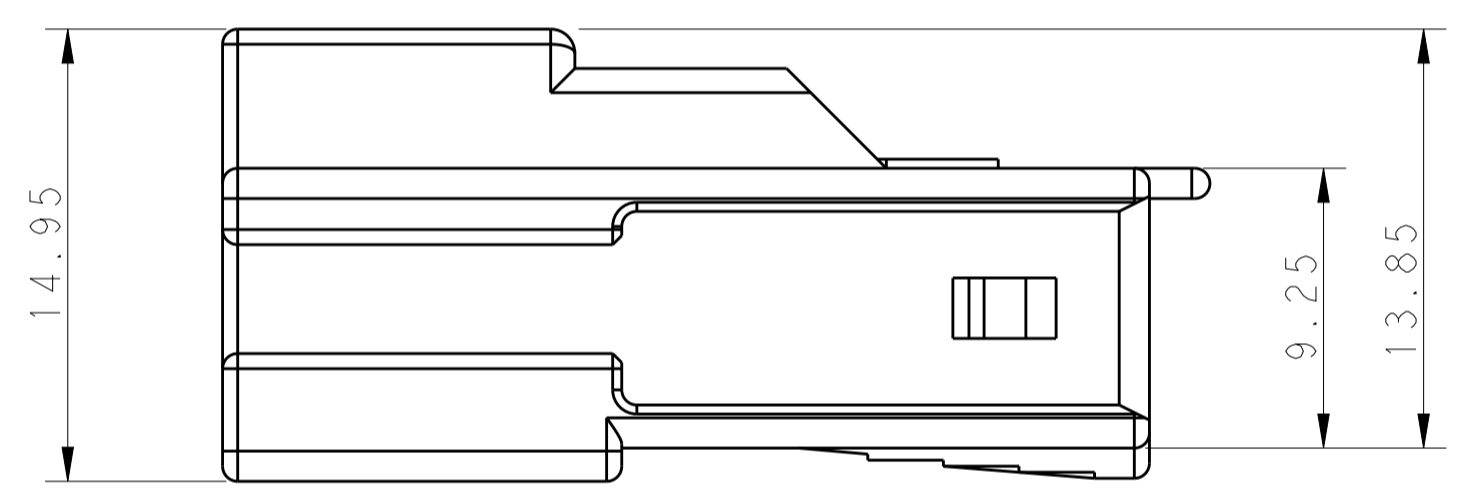
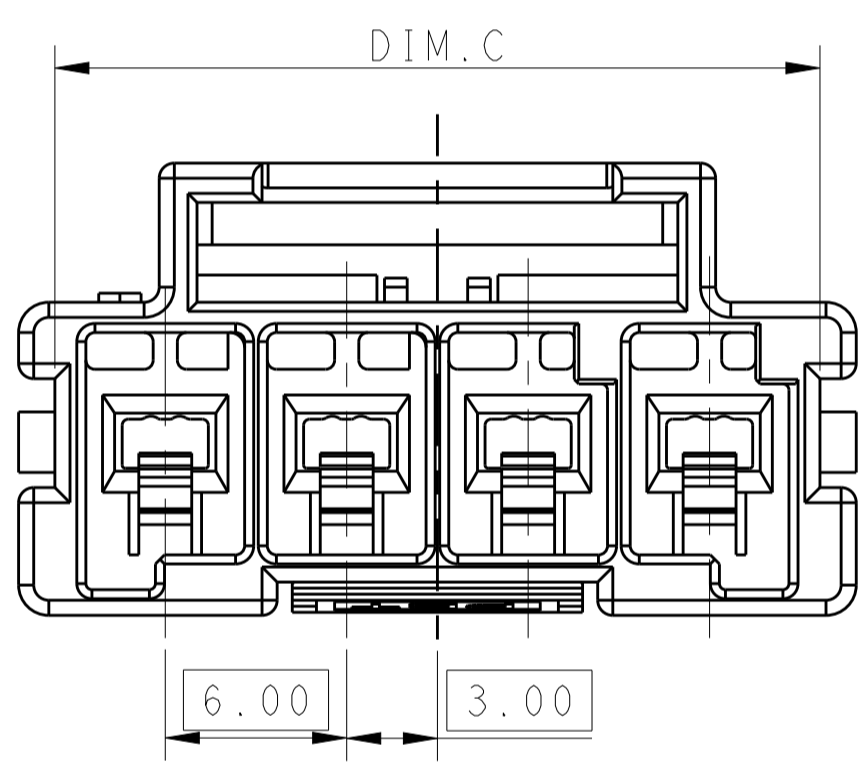


LOC	DIST	REVISIONS					
		P	LTN	DESCRIPTION	DATE	DWN	APVD
		C		REVISED PER ECR-16-003247	14JUL2016	BW	GJ
		C1		REVISED PER ECR-18-002070	12NOV2018	BKW	GJ



- △ MATERIAL:
 LEVEL 1:PBT, STANDARD TEMPERATURE 105°C.
 KEY A:NATURAL; KEY B:PURPLE; KEY C:BLUE; KEY D:YELLOW
- LEVEL 2:NYLON, HIGH TEMPERATURE 150°C
 KEY A:LIGHT GREY; KEY B:RED; KEY C:BLACK; KEY D:NATURAL
- 2 MATERIAL MARK:
 LEVEL 1:PBT, LEVEL 2:HDT
- 3 APPLICABLE CONTACT P/N
 TAB CONTACT:1971238/1971780/82/84/86/88-*,2238067-*
- 4 MATING CONN, P/N
 PLUG HSG:*-1971773-
 TPA (LOCK PLATE):*-1971777-*
- 5 THIS DRAWING DOES NOT PERTAIN TO RESTRICTED P/N 5-1971771-2.
- 6 THIS PRODUCT HAS NOT COMPLETED VALIDATION TESTING

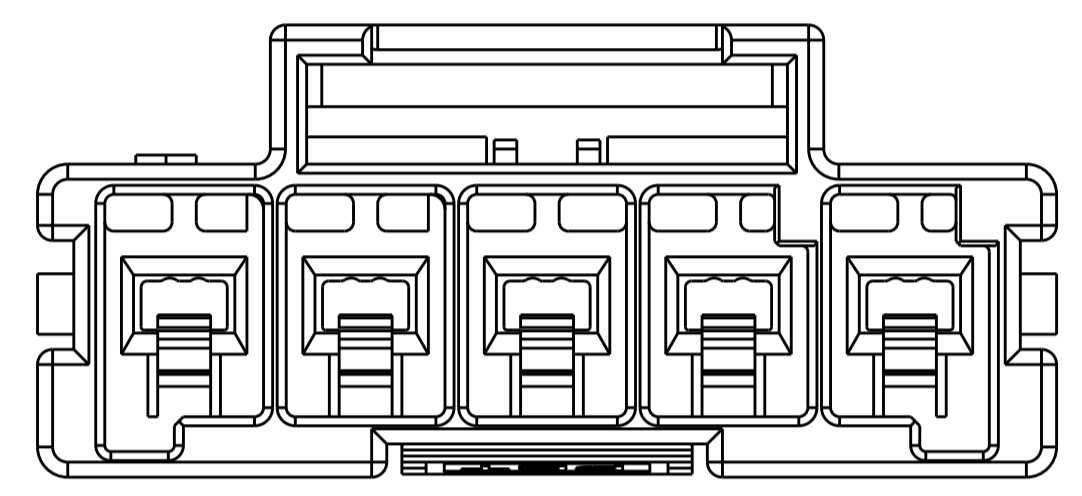
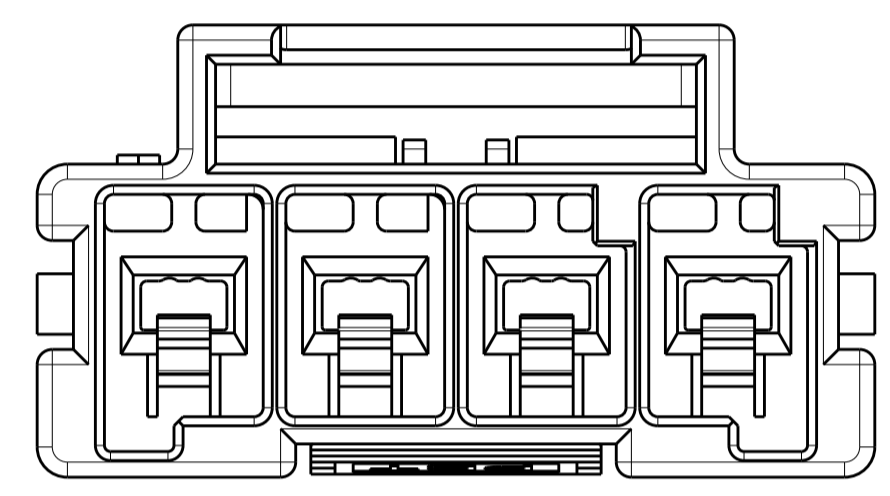
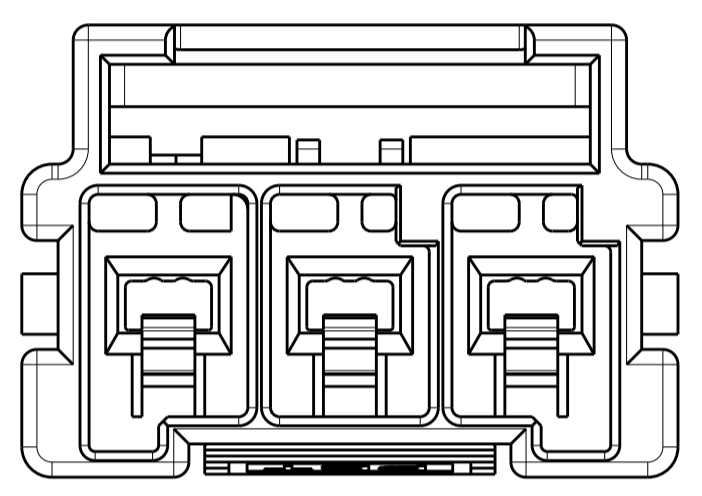
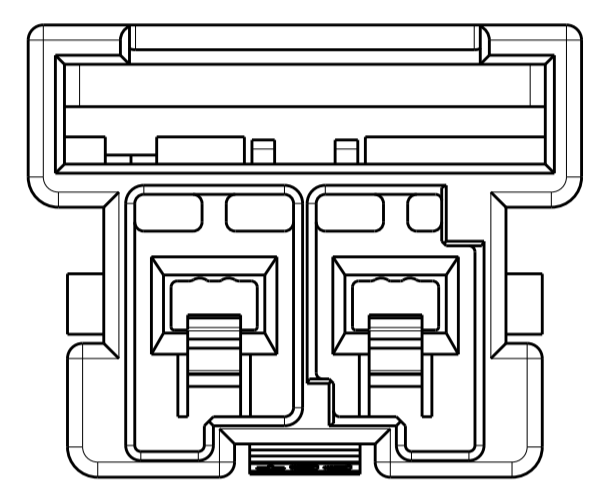
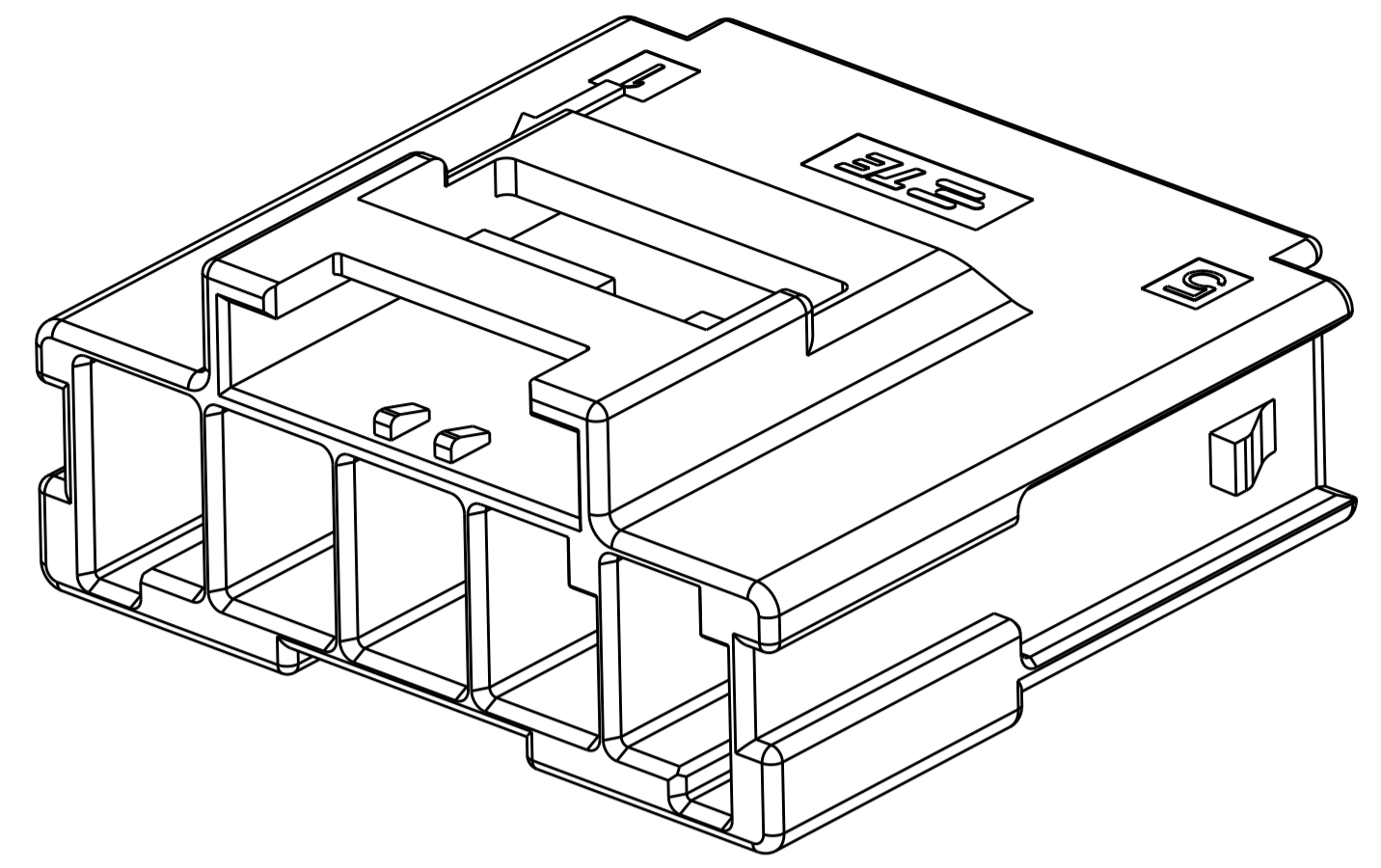
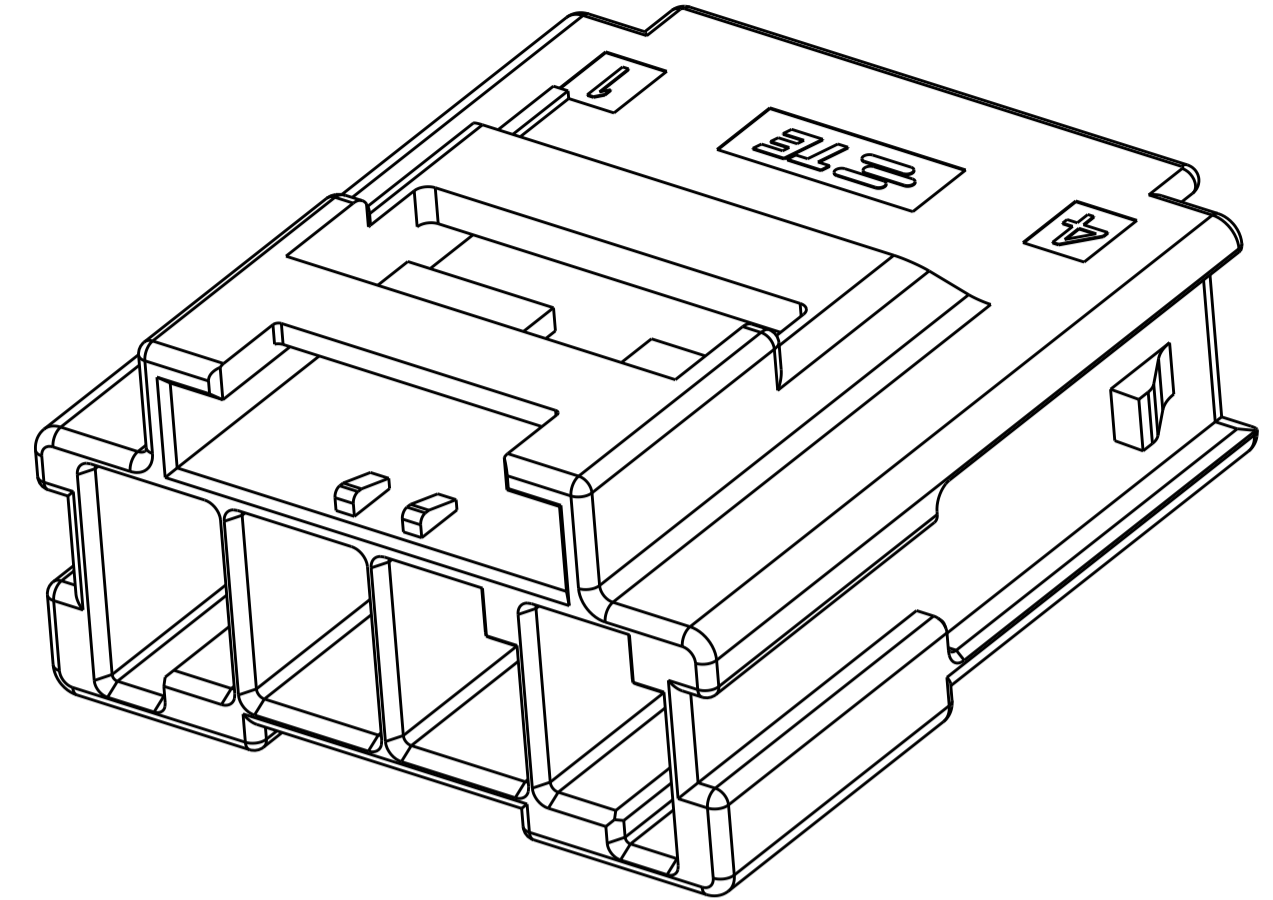
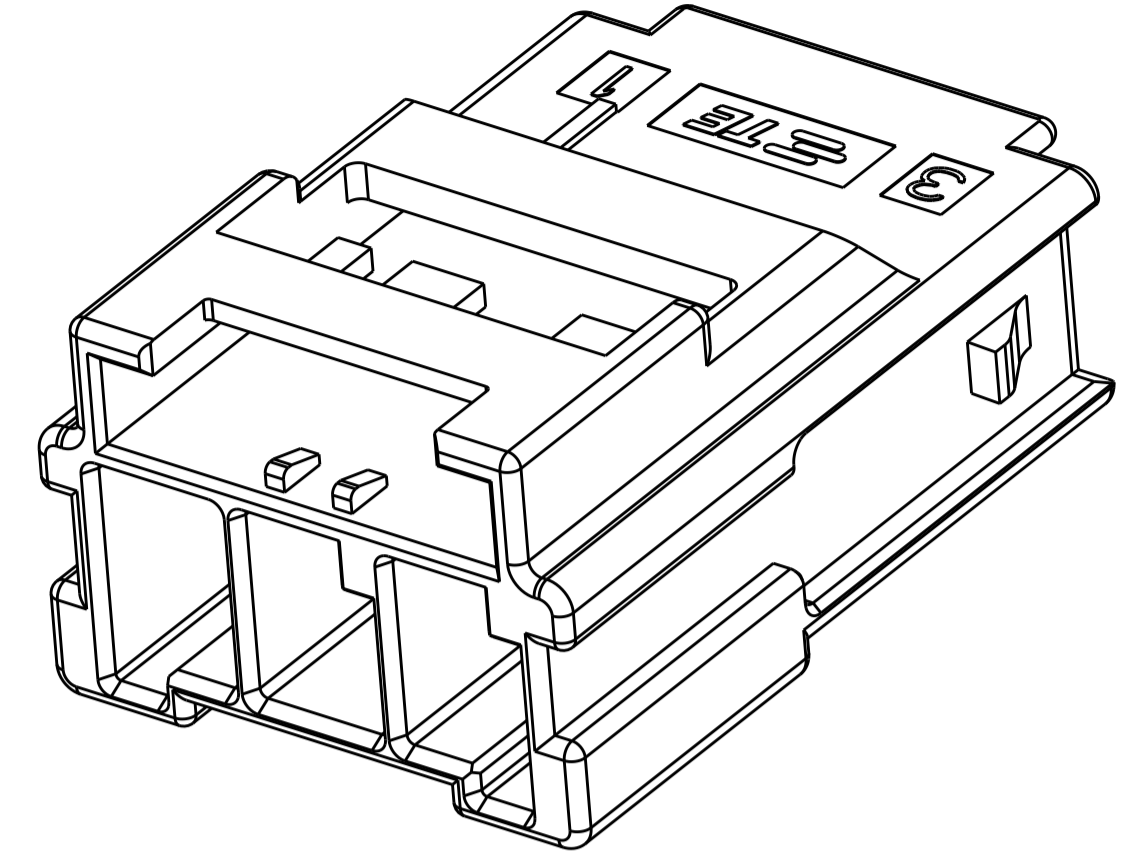
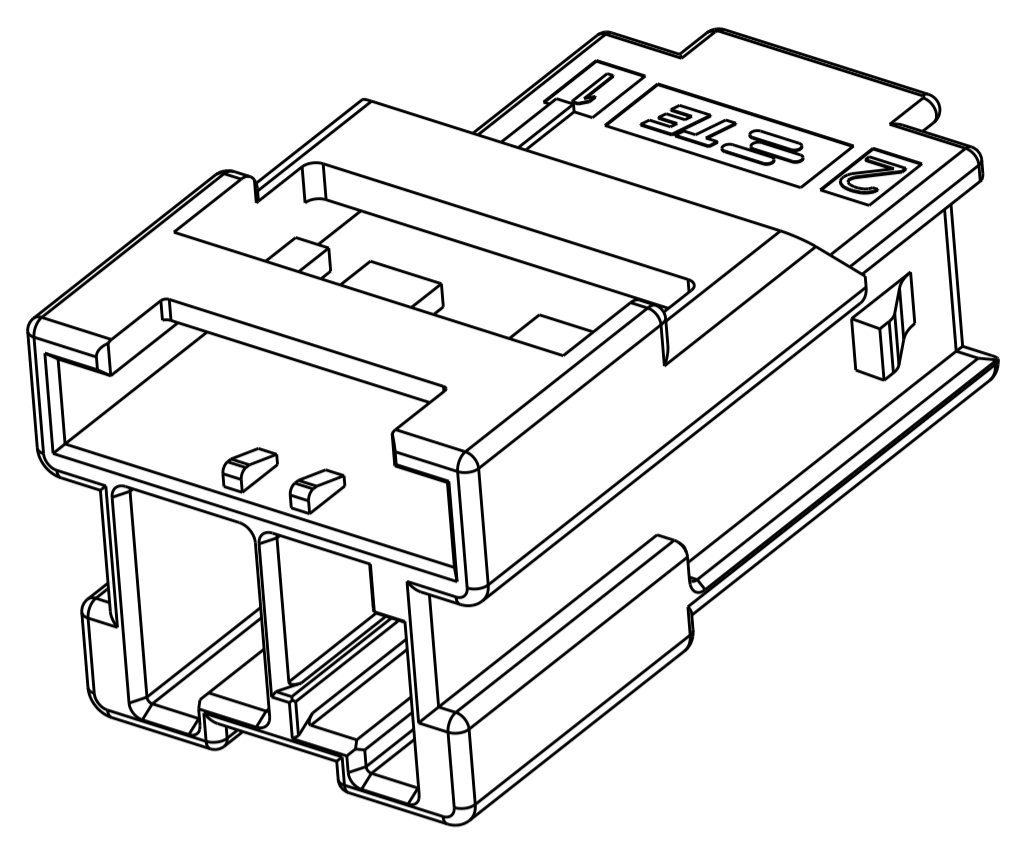


**SUPERSEDED BY POWER TRIPLE LOCK
 PANEL MOUNT CAPS X-1971772-X**

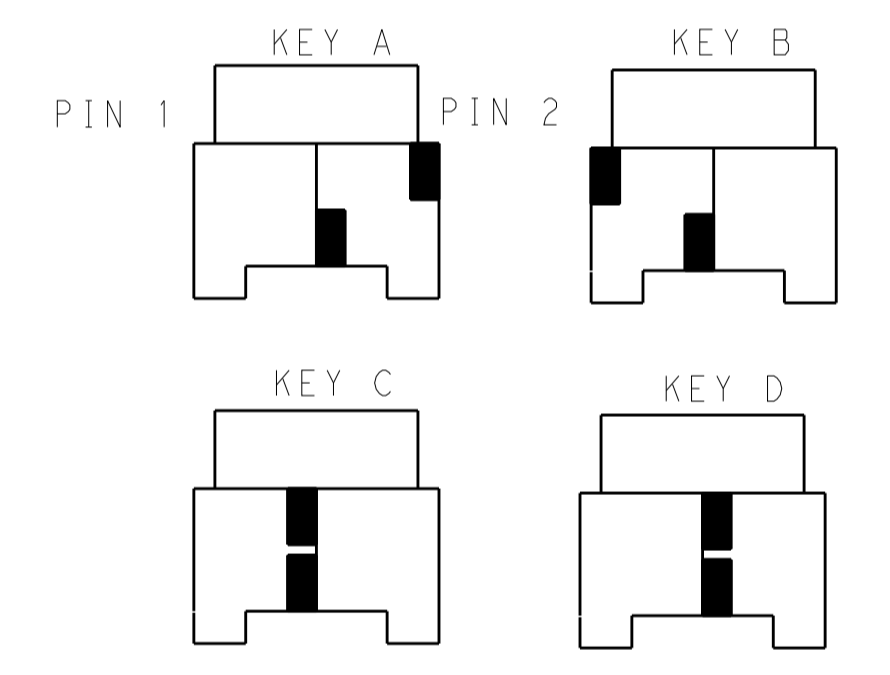
POS.	DIM.A	DIM.B	DIM.C
1*5	33.70	27.50	31.30
1*4	27.70	21.50	25.30
1*3	21.70	15.50	19.30
1*2	15.70	9.50	13.30

THIS DRAWING IS A CONTROLLED DOCUMENT.		DWN TOMMY WU 09JUL2012	TE Connectivity	
DIMENSIONS: mm		CHK HAPYE WU 09JUL2012		
TOLERANCES UNLESS OTHERWISE SPECIFIED:		APVD YUHONG MAO 09JUL2012	NAME CAP HOUSING, FREE HANGING, SINGLE ROW POWER TRIPLE LOCK	
0 PLC ±		PRODUCT SPEC	SIZE CAGE CODE DRAWING NO RESTRICTED TO	
1 PLC ±0.35		108-106118	A100779C=1971771	
2 PLC ±0.25		APPLICATION SPEC	SCALE SHEET 1 OF 2 REV C1	
3 PLC ±		114-106118		
4 PLC ±		WEIGHT		
ANGLES ±		Customer Drawing		
FINISH				

LOC		DIST		REVISIONS				
P	LTN	DATE	OWN	APVD	DESCRIPTION	DATE	OWN	APVD
-	-	-	-	-	SEE SHEET 1	-	-	-

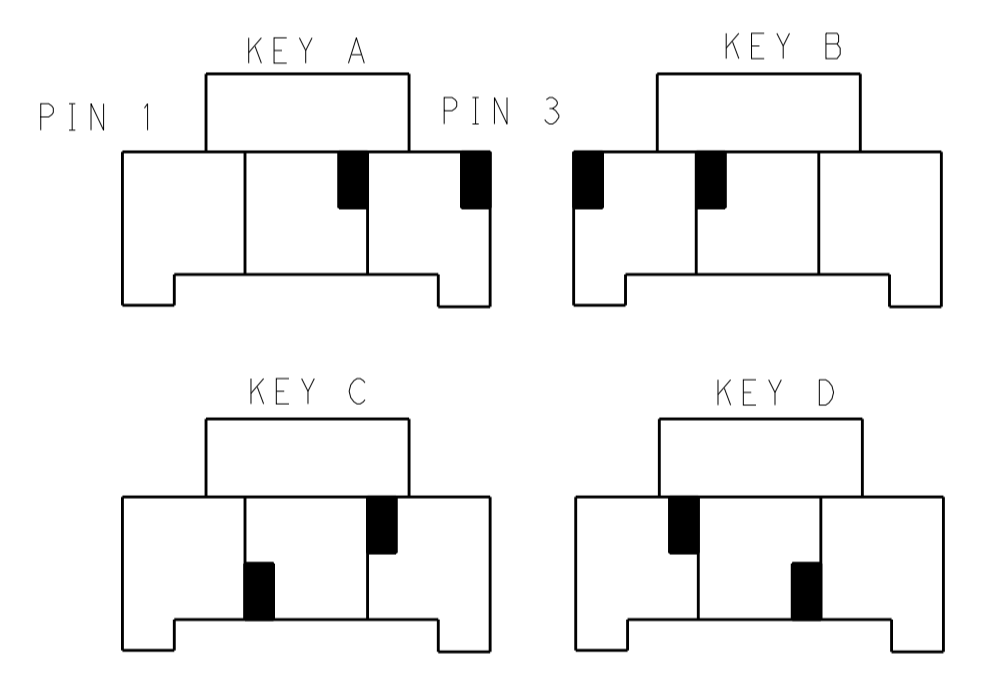


1*2 POSITIONS



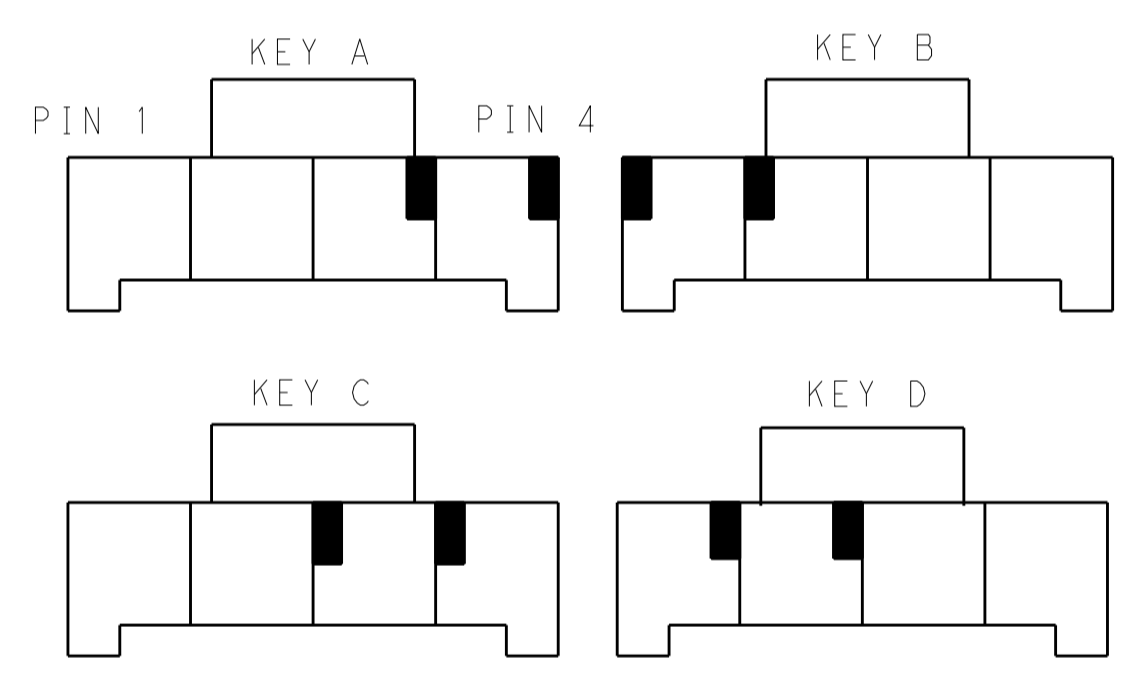
KEYING FOR 1*2 POS.

1*3 POSITIONS



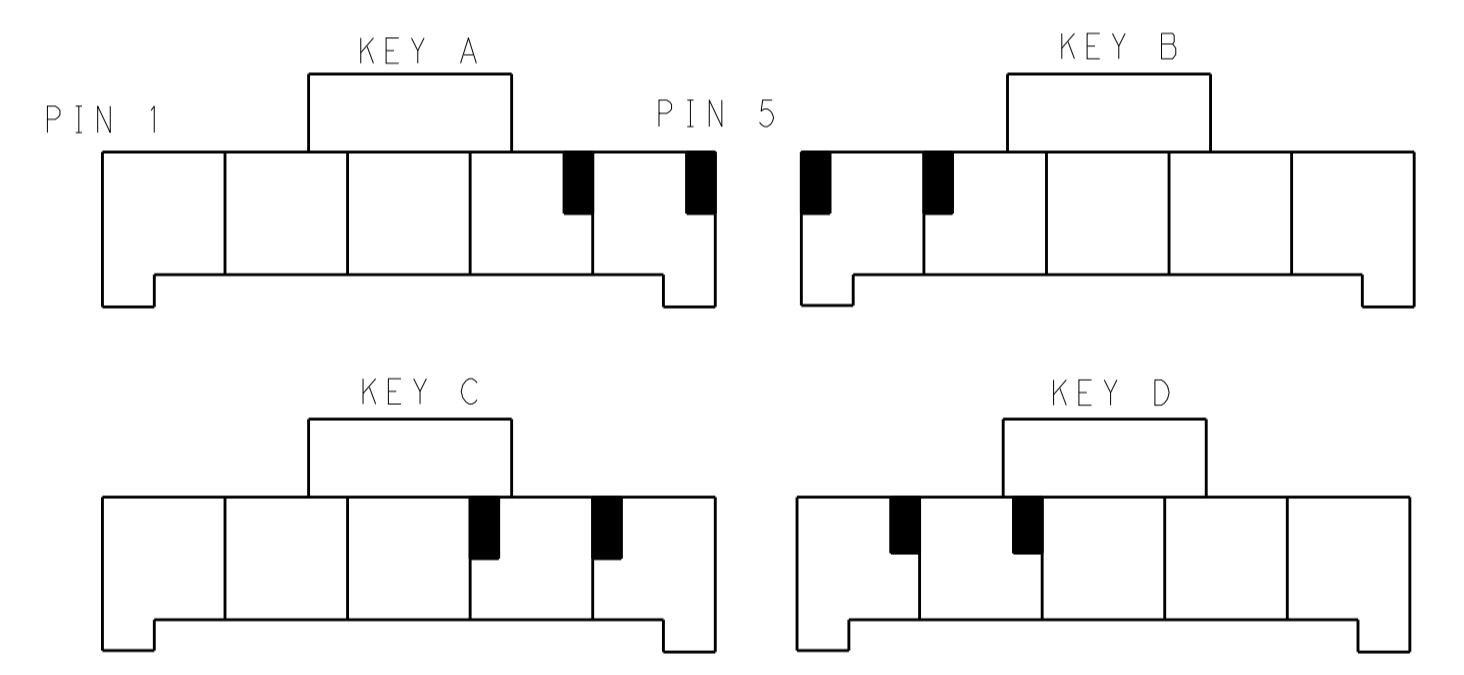
KEYING FOR 1*3 POS.

1*4 POSITIONS



KEYING FOR 1*4 POS.

1*5 POSITIONS



KEYING FOR 1*5 POS.

POS.	MATERIAL	KEY	P/N
1*5	LEVEL 1	KEY A	1-1971771-7
		KEY B	2-1971771-7
		KEY C	3-1971771-7
		KEY D	4-1971771-7
	LEVEL 2	KEY A	5-1971771-7
		KEY B	6-1971771-7
		KEY C	7-1971771-7
		KEY D	8-1971771-7
1*4	LEVEL 1	KEY A	1-1971771-4
		KEY B	2-1971771-4
		KEY C	3-1971771-4
		KEY D	4-1971771-4
	LEVEL 2	KEY A	5-1971771-4
		KEY B	6-1971771-4
		KEY C	7-1971771-4
		KEY D	8-1971771-4

POS.	MATERIAL	KEY	P/N
1*3	LEVEL 1	KEY A	1-1971771-3
		KEY B	2-1971771-3
		KEY C	3-1971771-3
		KEY D	4-1971771-3
	LEVEL 2	KEY A	5-1971771-3
		KEY B	6-1971771-3
		KEY C	7-1971771-3
		KEY D	8-1971771-3
1*2	LEVEL 1	KEY A	1-1971771-2
		KEY B	2-1971771-2
		KEY C	3-1971771-2
		KEY D	4-1971771-2
	LEVEL 2	KEY A	9-1971771-2
		KEY B	6-1971771-2
		KEY C	7-1971771-2
		KEY D	8-1971771-2

**SUPERSEDED BY POWER TRIPLE LOCK
PANEL MOUNT CAPS X-1971772-X**

THIS DRAWING IS A CONTROLLED DOCUMENT.		OWN: TOMMY_WU 09JUL2012	TE Connectivity
DIMENSIONS: mm		CHK: HAPYE_WU 09JUL2012	
TOLERANCES UNLESS OTHERWISE SPECIFIED:		APVD: YUJHONG_MAO 09JUL2012	NAME: CAP HOUSING, FREE HANGING, SINGLE ROW POWER TRIPLE LOCK
0 PLC ±0.35	1 PLC ±0.25	PRODUCT SPEC: 108-106118	SIZE: CAGE CODE DRAWING NO: A100779C=1971771
2 PLC ±0.25	3 PLC ±0.25	APPLICATION SPEC: 114-106118	RESTRICTED TO: -
4 PLC ±0.25	ANGLES ±0.5	WEIGHT: -	SCALE: - SHEET 2 OF 2 REV: C1
MATERIAL: -	FINISH: -	Customer Drawing	

X-ON Electronics

Largest Supplier of Electrical and Electronic Components

Click to view similar products for [Headers & Wire Housings](#) category:

Click to view products by [TE Connectivity](#) manufacturer:

Other Similar products are found below :

[892-18-020-10-001101](#) [58102-G61-06LF](#) [582553-1](#) [0009485154](#) [009176003701906](#) [0050291907](#) [LY20-4P-DT1-P1E-BR](#) [02.125.8002.8](#)
[609-3404](#) [61062-3](#) [61082-181009](#) [622-3653LF](#) [63453-116](#) [636-1030](#) [636-1427](#) [636-3427](#) [636-4007](#) [641938-9](#) [641991-4](#) [644827-2](#) [65817-](#)
[010LF](#) [65817-015LF](#) [65863-015LF](#) [66207-023LF](#) [67095-007LF](#) [67601157](#) [68645-018](#) [68648-049](#) [70.362.1628.0](#) [70-4210](#) [70-4226B](#) [70-](#)
[4853B](#) [707-5020](#) [707-5028](#) [71.350.2428.0](#) [71918-208LF](#) [71961-016LF](#) [733-134](#) [733-162](#) [754199-000](#) [760-3052](#) [787-8014-00](#) [79531-3000](#)
[FCN-360C032-B](#) [FCN-367T-T012/H](#) [FCN-723D010/2](#) [80.063.4001.1](#) [800-90-001-10-001000](#) [800-90-010-10-002000](#) [801-43-002-10-013000](#)