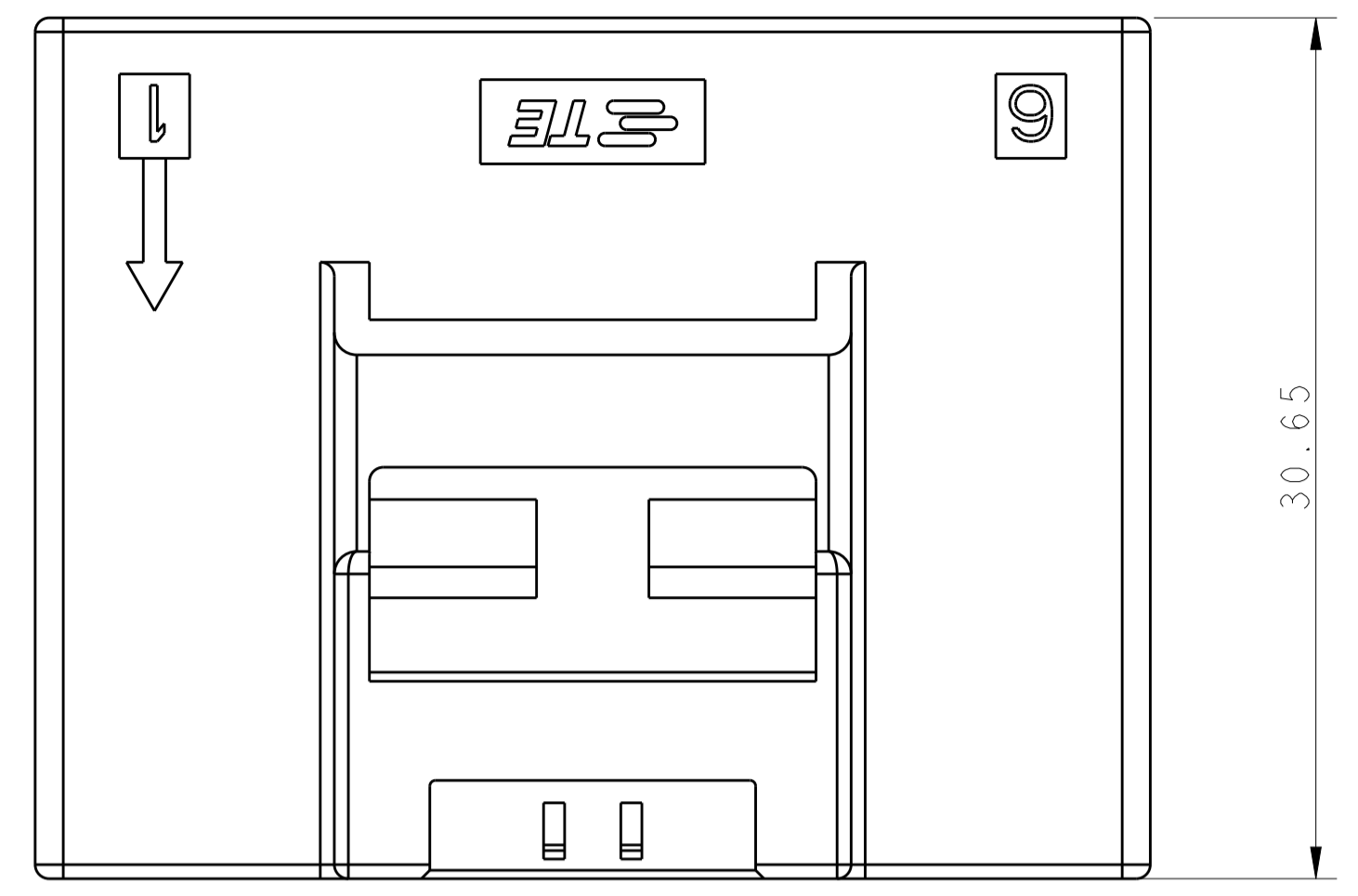
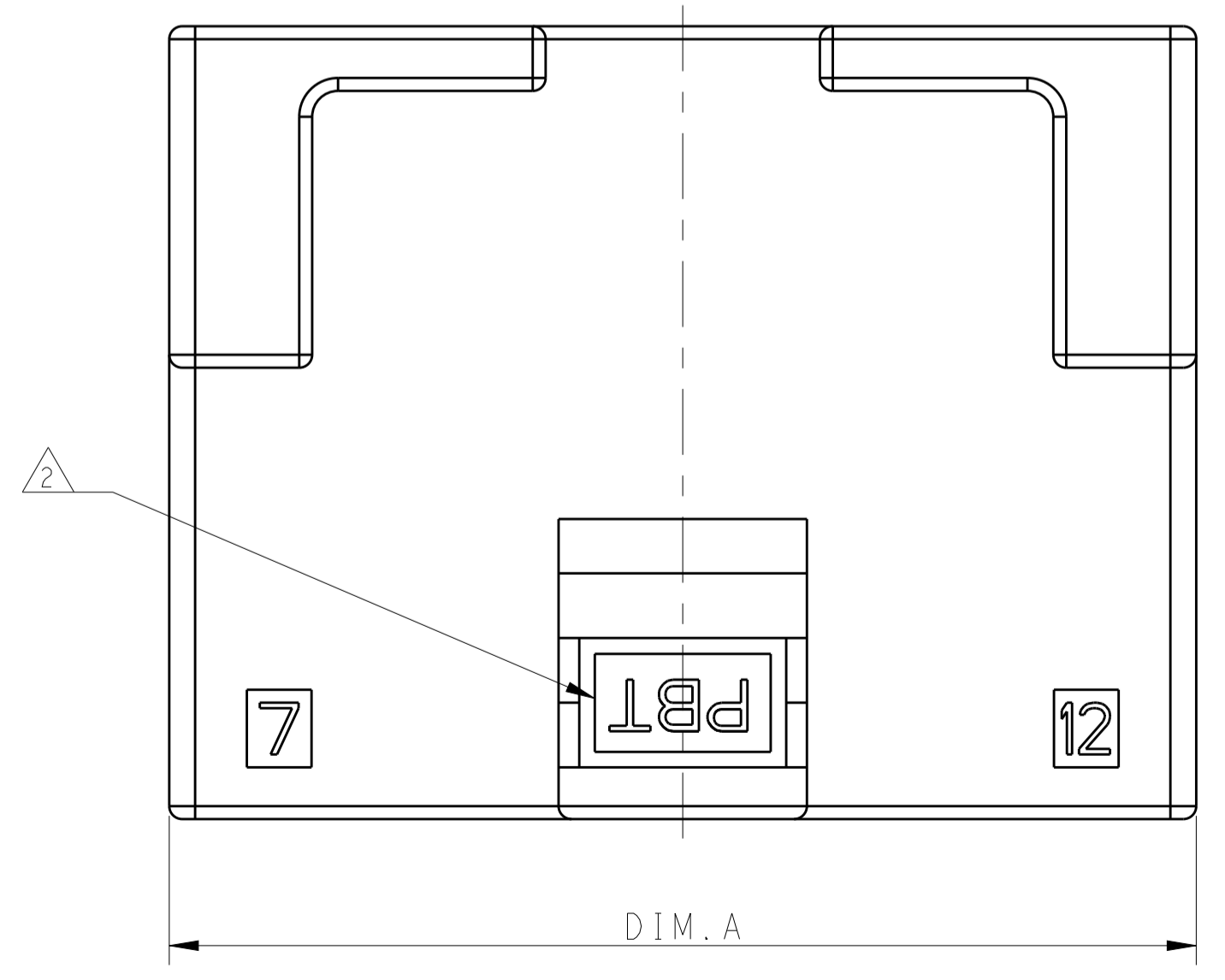
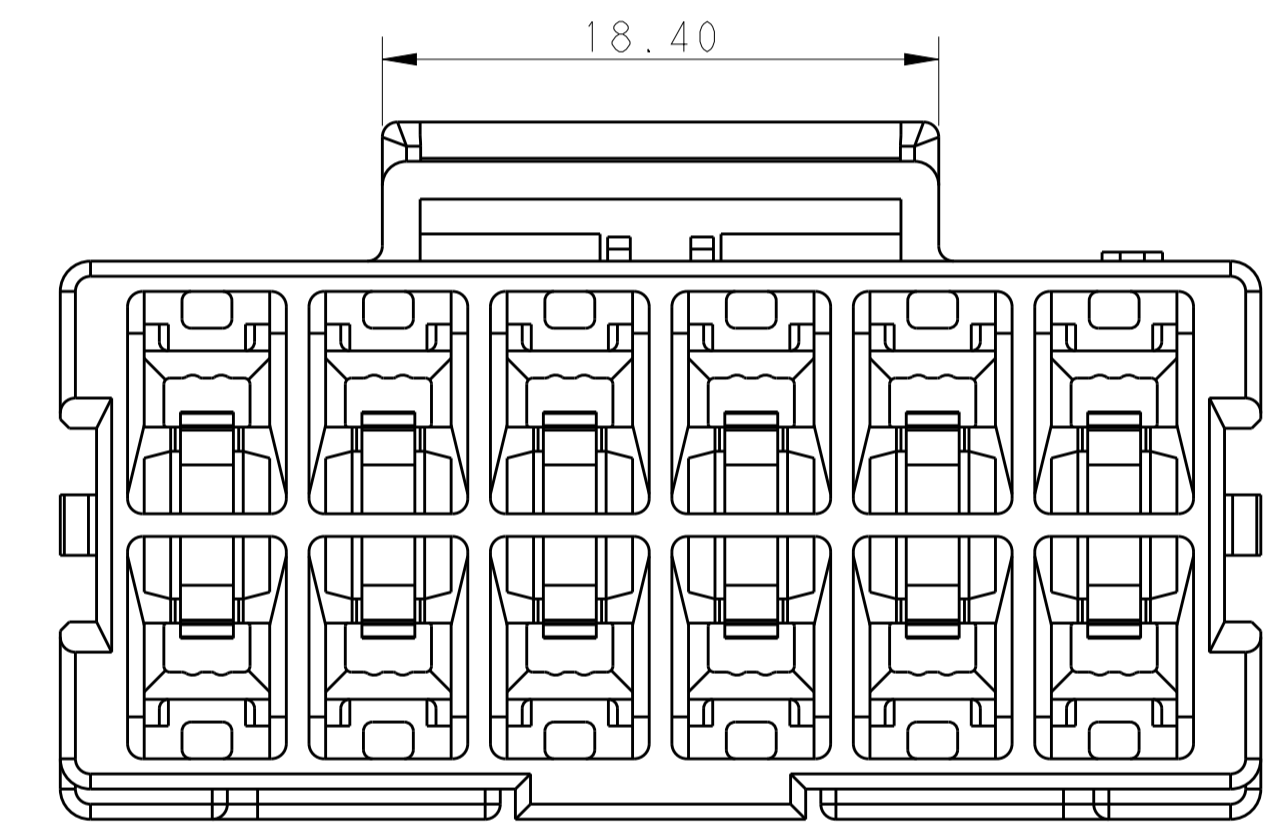
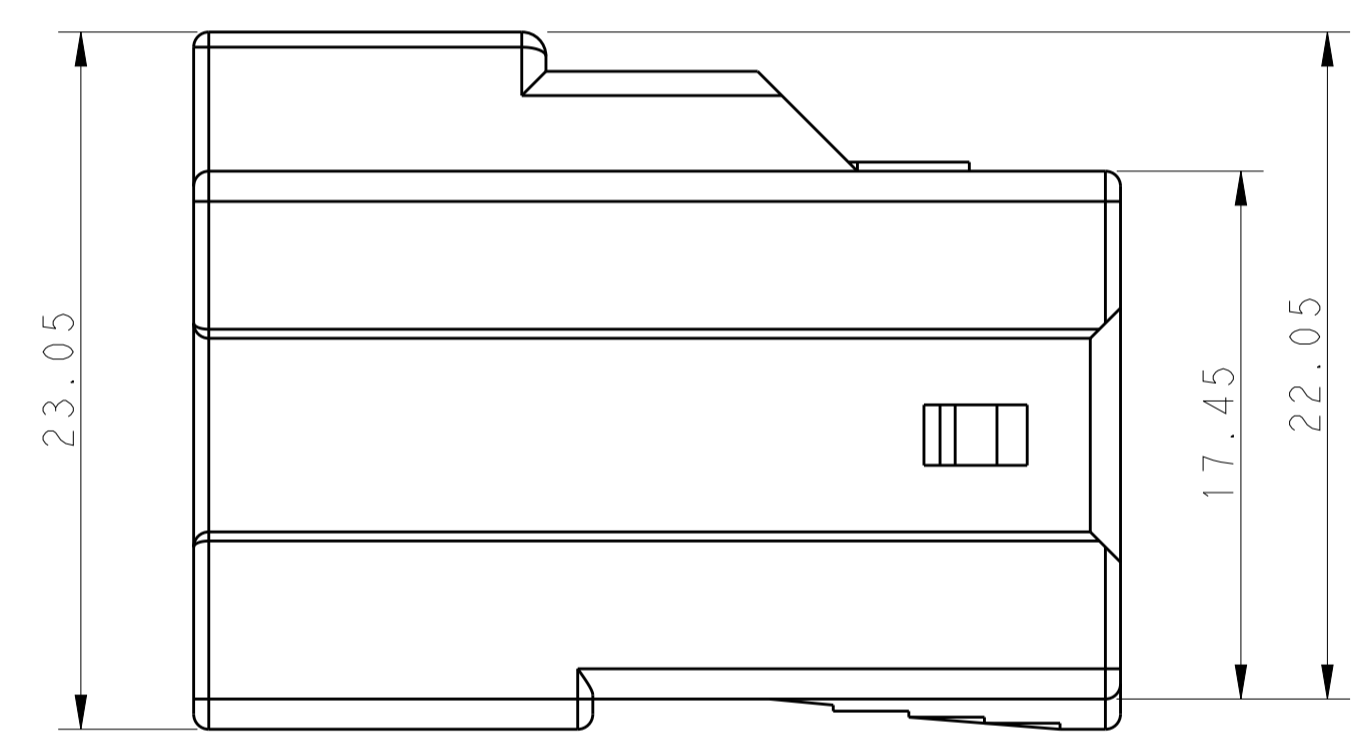
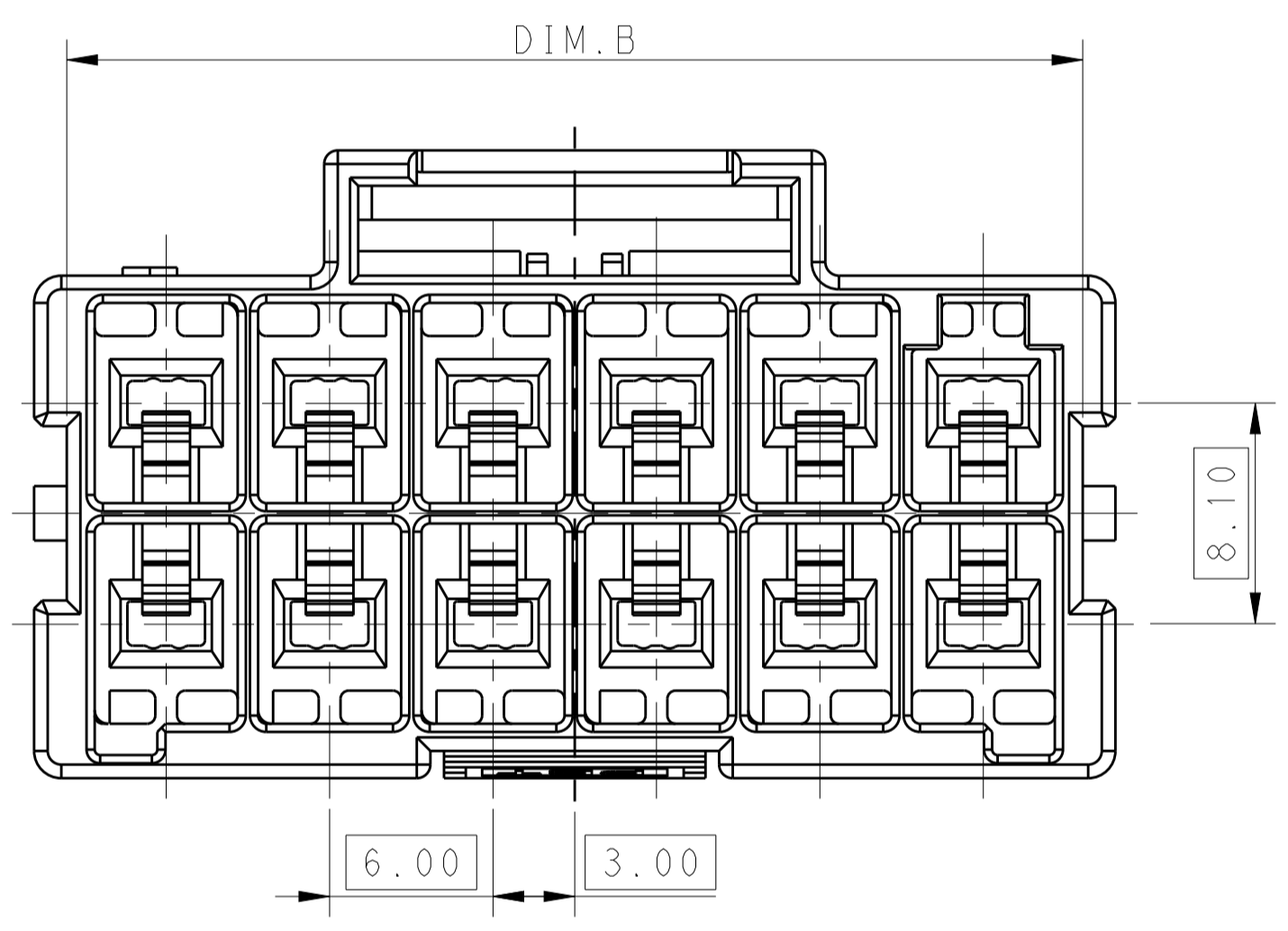


LOC		DIST		REVISIONS			
				REV	DATE	BY	CHKD
				C	15 JUL 2016	BW	GJ
				C1	07 NOV 2018	BKW	GJ



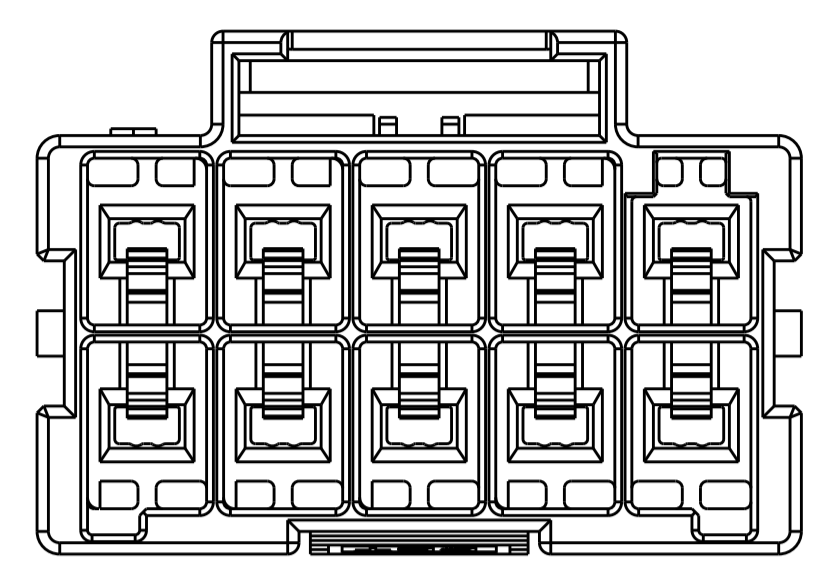
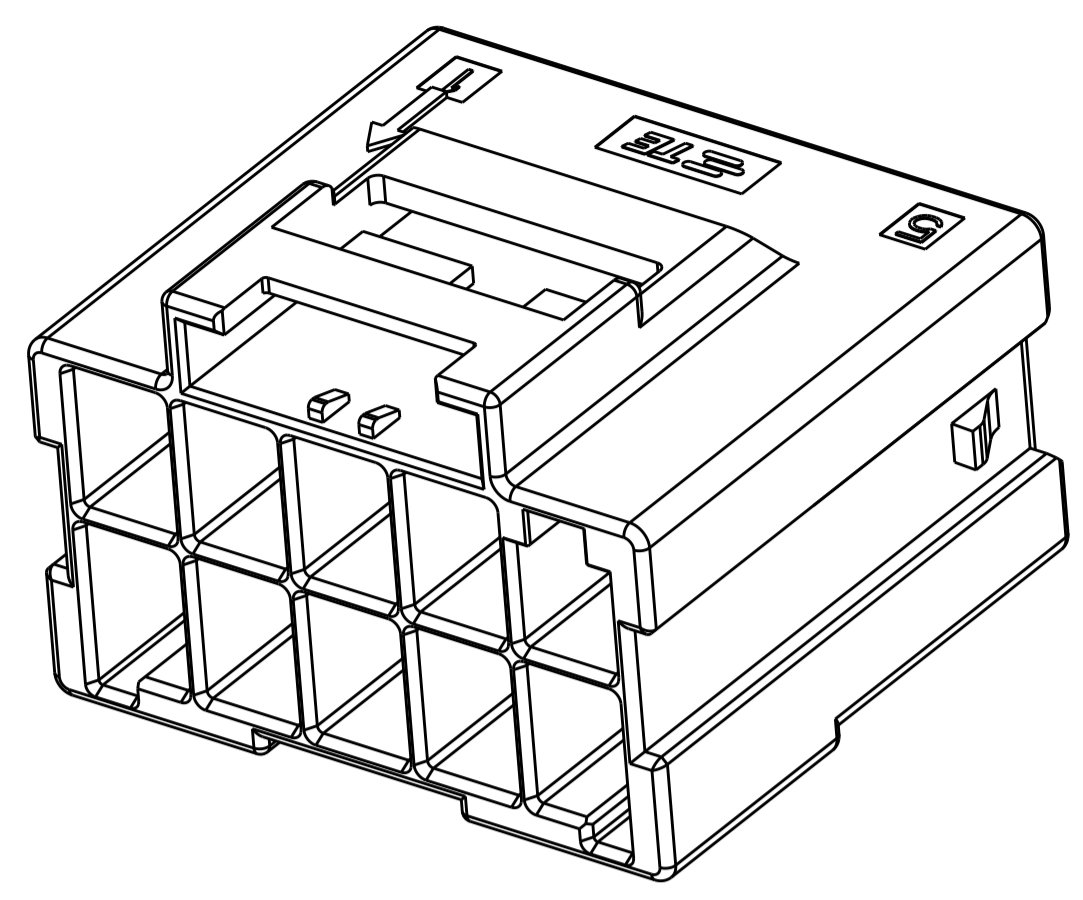
- △ MATERIAL:  
 LEVEL 1:PBT, STANDARD TEMPERATURE 105°C  
 KEY A:NATURAL; KEY B:PURPLE; KEY C:BLUE; KEY D:YELLOW  
  
 LEVEL 2:NYLON, HIGH TEMPERATURE 150°C  
 KEY A:LIGHT GREY; KEY B:RED; KEY C:BLACK; KEY D:NATURAL
  - △ MATERIAL MARK:  
 LEVEL 1:PBT, LEVEL 2:HDT
  - 3 APPLICABLE CONTACT P/N  
 TAB CONTACT:1971238/1971780/82/84/86/88-\*,2238067-\*
  - 4 MATING CONN, P/N  
 PLUG HSG:\*-1971776-  
 TPA(LOCK PLATE):\*-1971778-\*
- 5 THIS PRODUCT HAS NOT COMPLETED VALIDATION TESTING



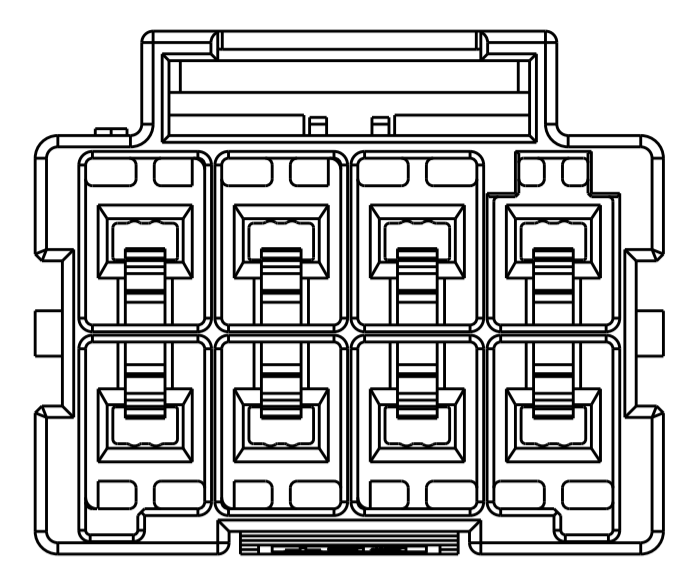
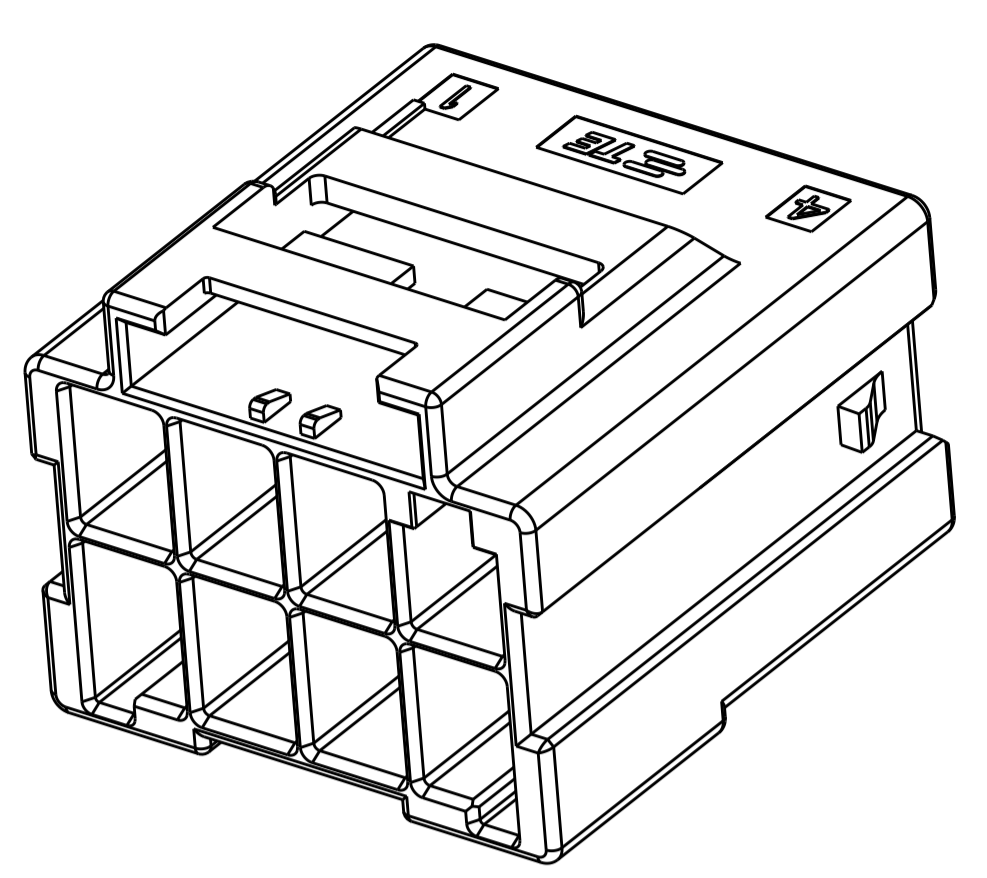
POS.	DIM. A	DIM. B
2*6	39.70	37.30
2*5	33.70	31.30
2*4	27.70	25.30
2*3	21.70	19.30

THIS DRAWING IS A CONTROLLED DOCUMENT.		DWG: TOMMY WU 09 JUL 2012	<b>STE</b> TE Connectivity
DIMENSIONS: mm		CHK: HAPYE WU 09 JUL 2012	
TOLERANCES UNLESS OTHERWISE SPECIFIED:		APVD: YIHONG MAO 09 JUL 2012	
0 PLC ±	1 PLC ±0.35	2 PLC ±0.25	NAME: CAP HOUSING, FREE HANGING, DOUBLE ROW POWER TRIPLE LOCK
3 PLC ±	4 PLC ±	ANGLES ±	PRODUCT SPEC: 108-106118
MATERIAL: △	FINISH: -	WEIGHT: -	APPLICATION SPEC: 114-106118
Customer Drawing		SIZE: A1	RESTRICTED TO: -
		CAGE CODE: 00779	DRAWING NO: 1971774
		SCALE: -	SHEET 1 OF 2
		REV C1	

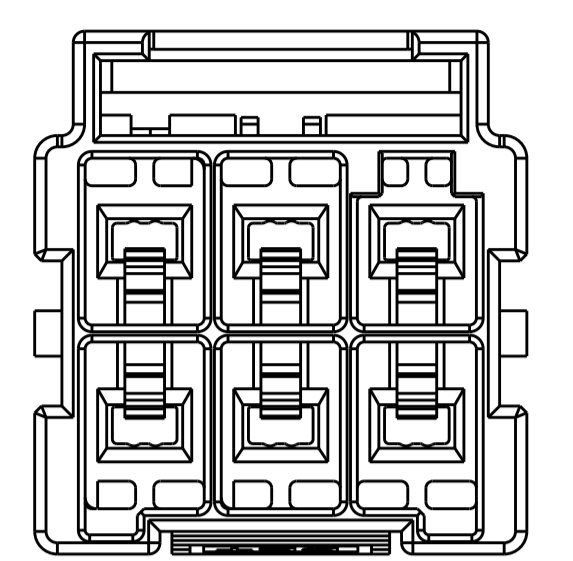
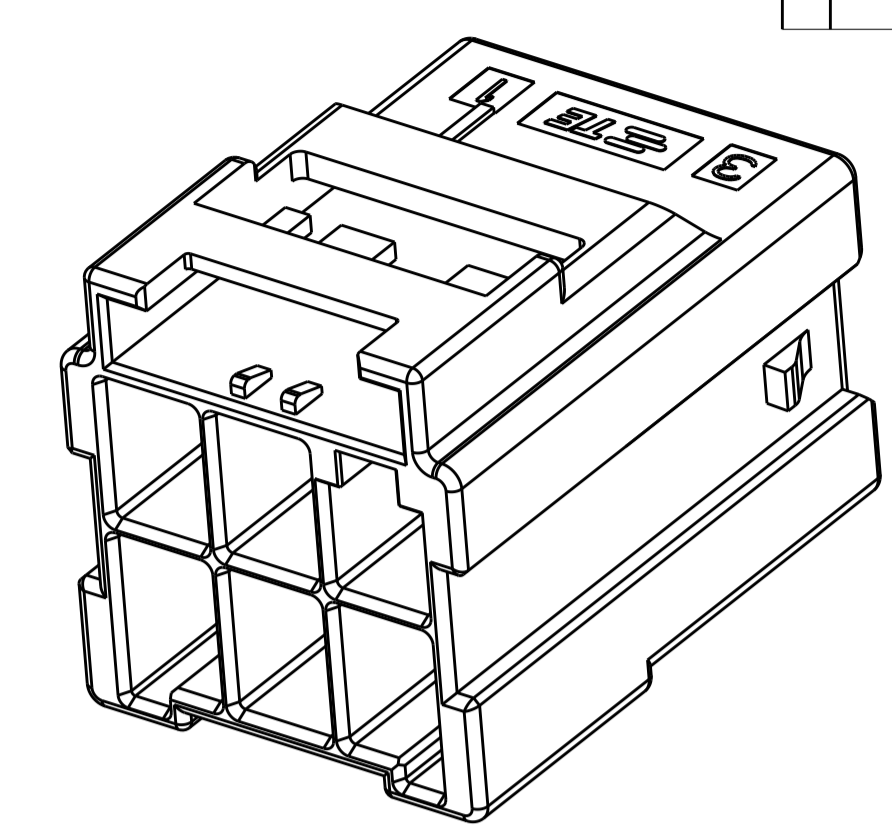
LOC		DIST		REVISIONS			
P	LTN	DESCRIPTION	DATE	OWN	APVD		
-	-	SEE SHEET 1	-	-	-		



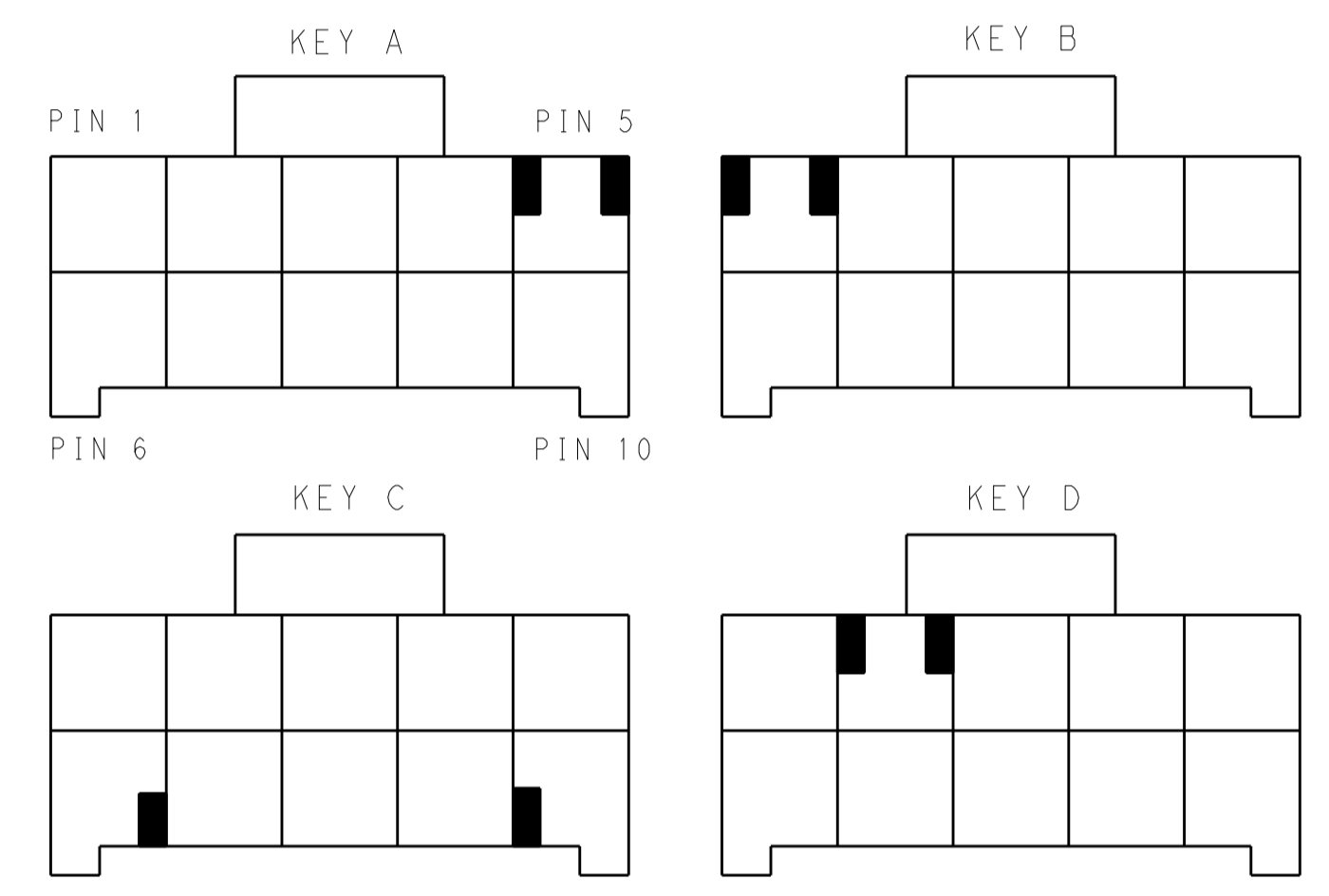
2\*5 POSITIONS



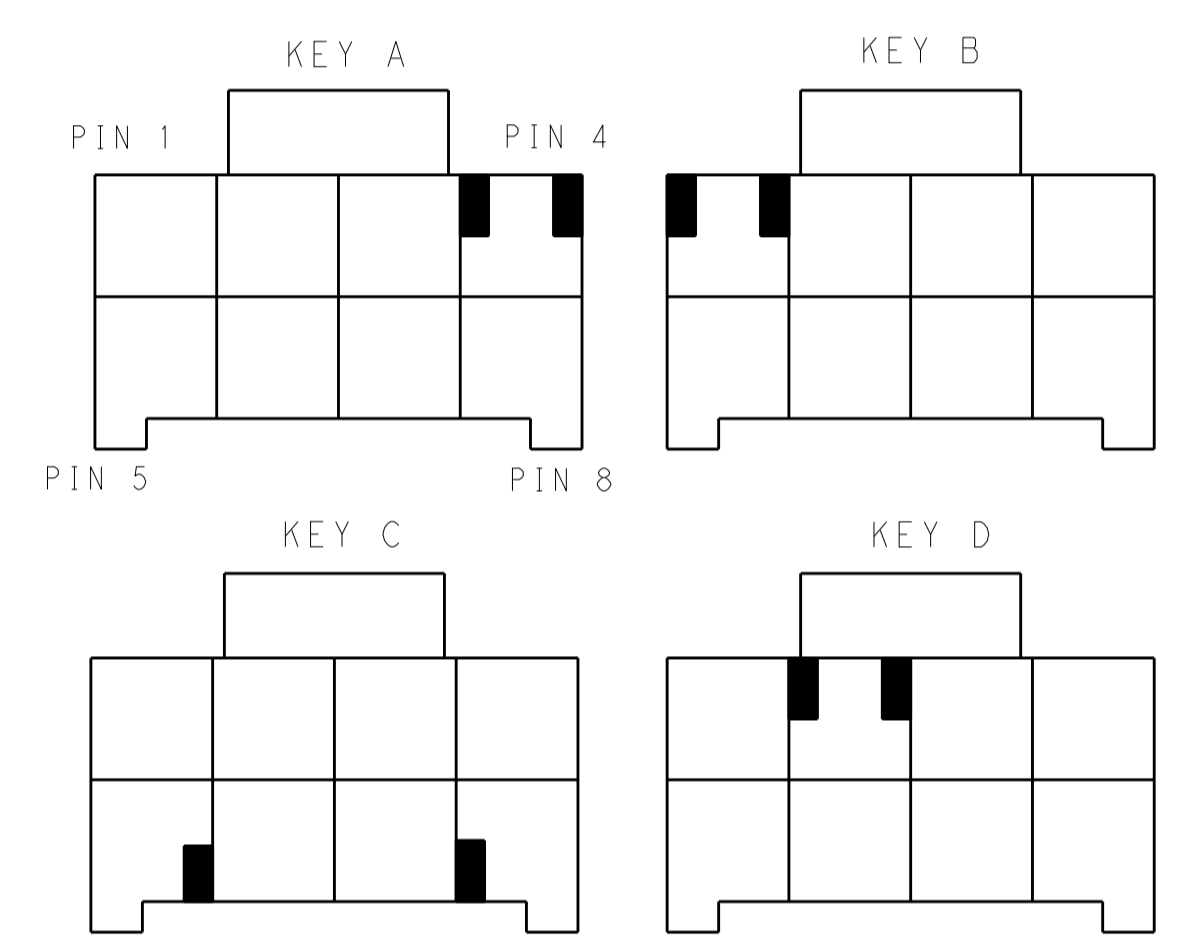
2\*4 POSITIONS



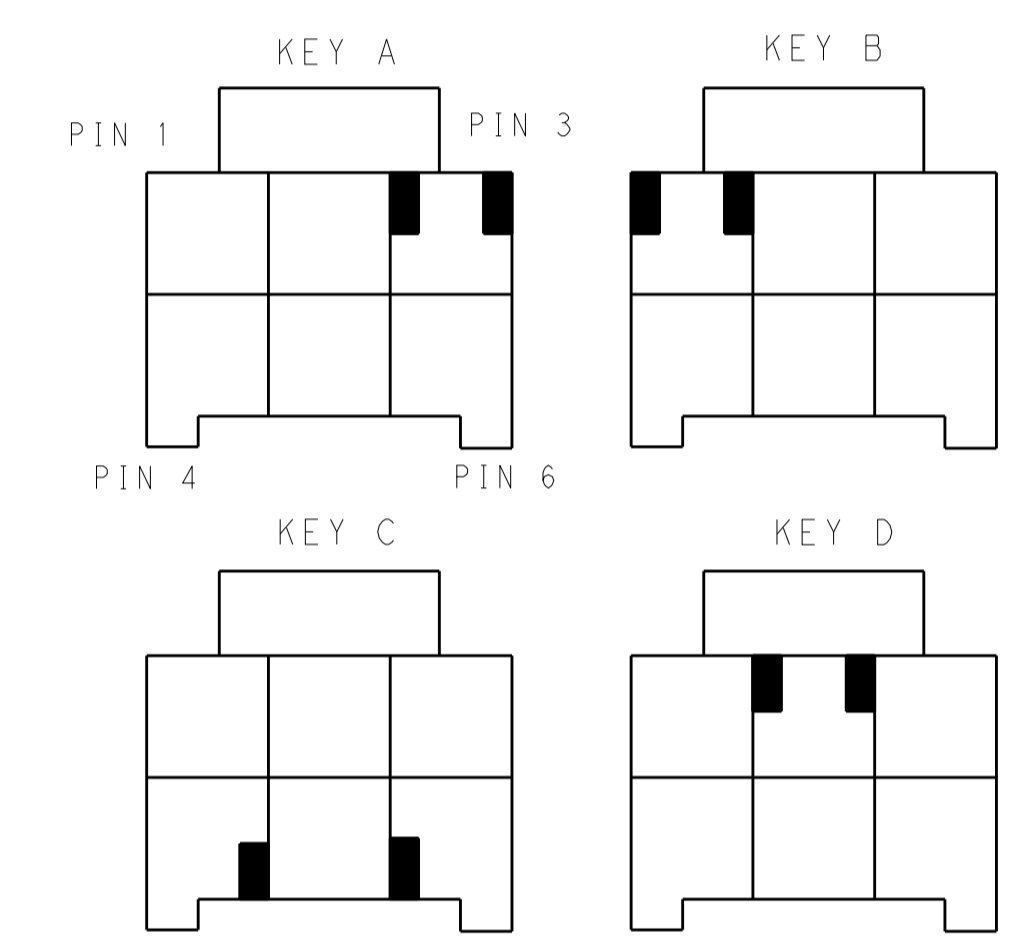
2\*3 POSITIONS



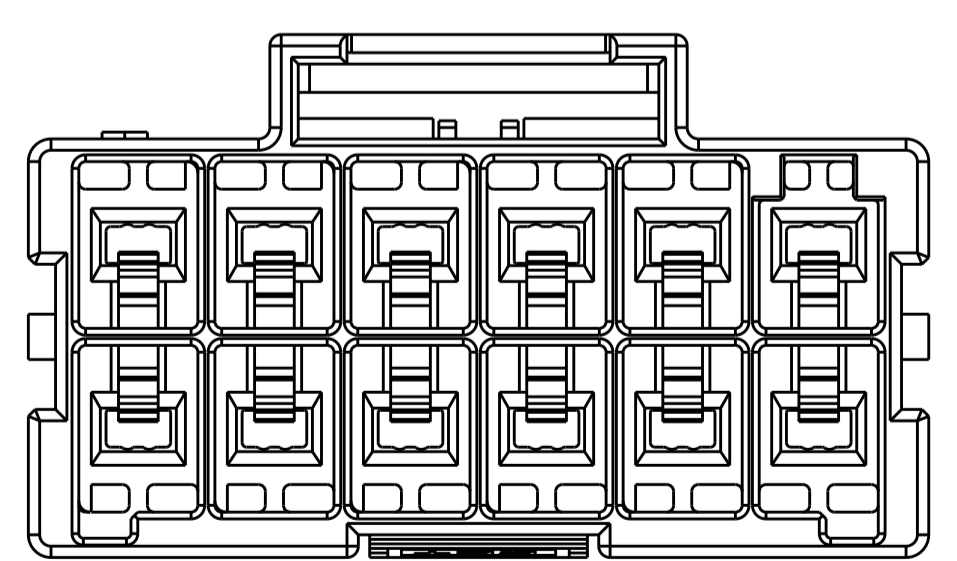
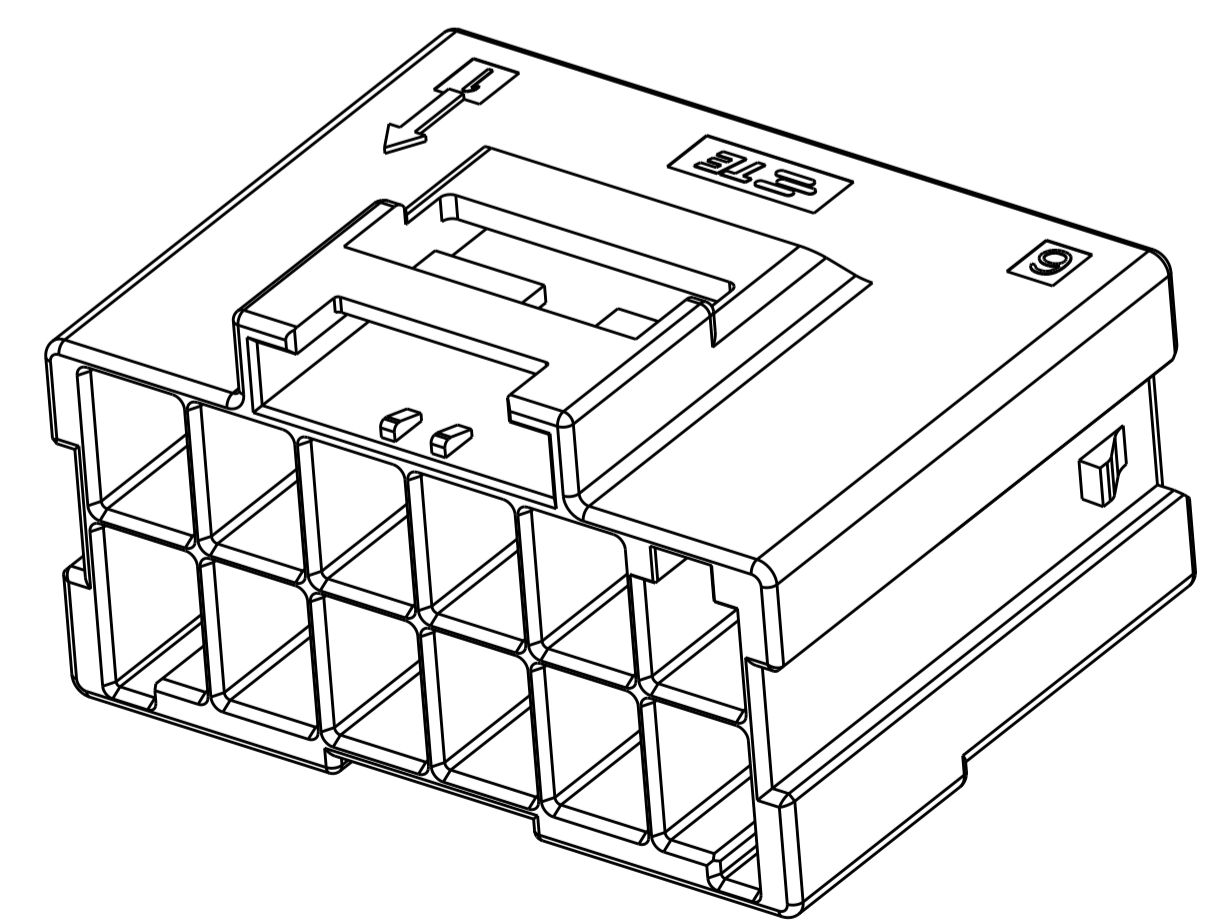
KEYING FOR 2\*5 POS.



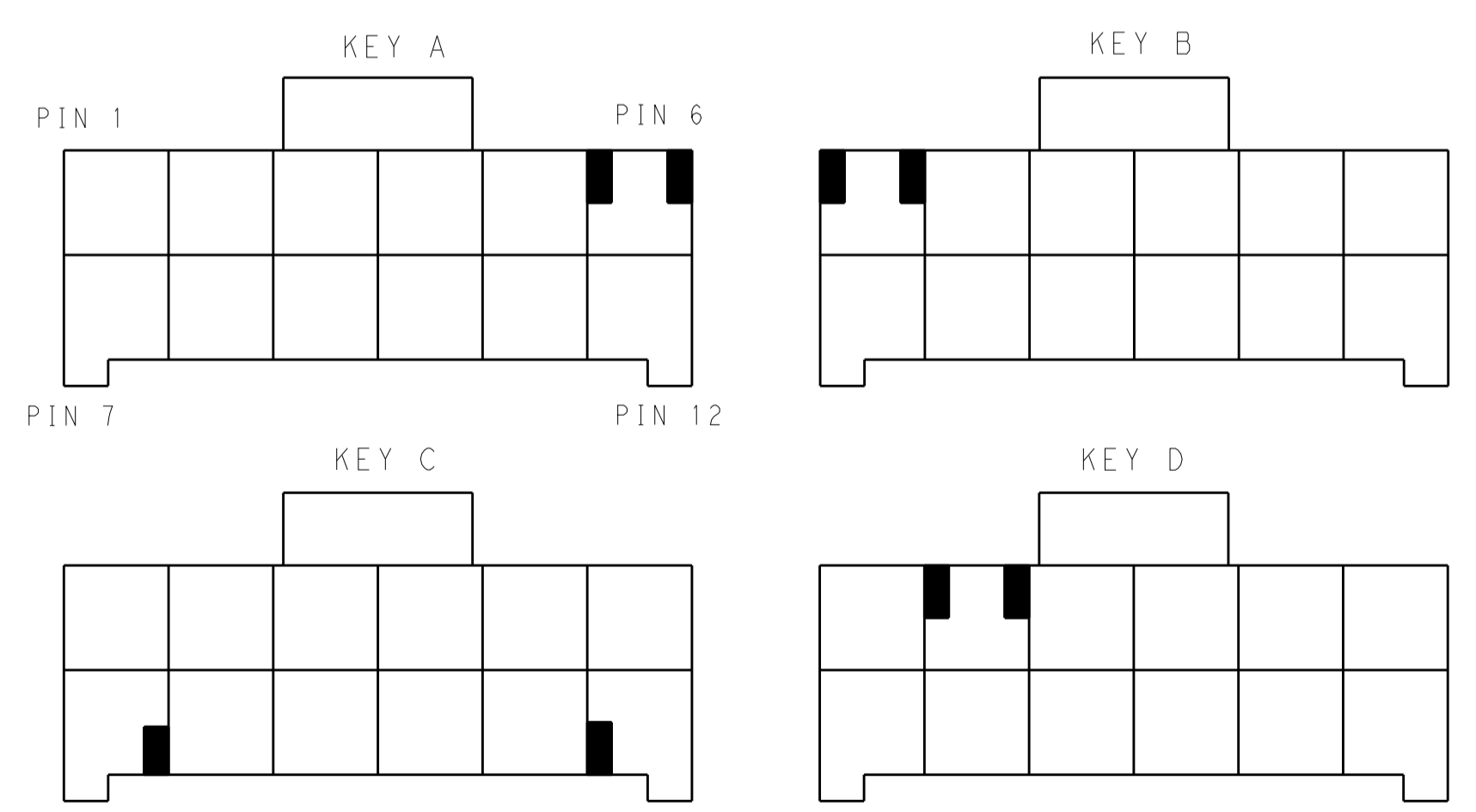
KEYING FOR 2\*4 POS.



KEYING FOR 2\*3 POS.



2\*6 POSITIONS



KEYING FOR 2\*6 POS.

POS.	MATERIAL	KEY	P/N
2*6	LEVEL 1	KEY A	1-1971774-6
		KEY B	2-1971774-6
		KEY C	3-1971774-6
		KEY D	4-1971774-6
2*6	LEVEL 2	KEY A	5-1971774-6
		KEY B	6-1971774-6
		KEY C	7-1971774-6
		KEY D	8-1971774-6
2*5	LEVEL 1	KEY A	1-1971774-5
		KEY B	2-1971774-5
		KEY C	3-1971774-5
		KEY D	4-1971774-5
2*5	LEVEL 2	KEY A	5-1971774-5
		KEY B	6-1971774-5
		KEY C	7-1971774-5
		KEY D	8-1971774-5

POS.	MATERIAL	KEY	P/N
2*4	LEVEL 1	KEY A	1-1971774-4
		KEY B	2-1971774-4
		KEY C	3-1971774-4
		KEY D	4-1971774-4
2*4	LEVEL 2	KEY A	5-1971774-4
		KEY B	6-1971774-4
		KEY C	7-1971774-4
		KEY D	8-1971774-4
2*3	LEVEL 1	KEY A	1-1971774-3
		KEY B	2-1971774-3
		KEY C	3-1971774-3
		KEY D	4-1971774-3
2*3	LEVEL 2	KEY A	5-1971774-3
		KEY B	6-1971774-3
		KEY C	7-1971774-3
		KEY D	8-1971774-3

**SUPERSEDED BY POWER TRIPLE LOCK  
 PANEL MOUNT CAPS X-1971775-X**

THIS DRAWING IS A CONTROLLED DOCUMENT.		OWN: TOMMY_WU 09JUL2012	TE Connectivity
DIMENSIONS: mm		CHK: HAPYE_WU 09JUL2012	
TOLERANCES UNLESS OTHERWISE SPECIFIED:		APVD: YUZHONG_MAO 09JUL2012	NAME: CAP HOUSING, FREE HANGING, DOUBLE ROW POWER TRIPLE LOCK
0 PLC ±	1 PLC ±0.35	PRODUCT SPEC: 108-106118	SIZE: CAGE CODE: DRAWING NO: RESTRICTED TO
2 PLC ±0.25	3 PLC ±	APPLICATION SPEC: 114-106118	A100779C=1971774
4 PLC ±	ANGLES ±	WEIGHT: -	SHEET 2 OF 2 REV C1
MATERIAL: -	FINISH: -	Customer Drawing	SCALE: -

## X-ON Electronics

Largest Supplier of Electrical and Electronic Components

*Click to view similar products for [Headers & Wire Housings](#) category:*

*Click to view products by [TE Connectivity](#) manufacturer:*

Other Similar products are found below :

[892-18-020-10-001101](#) [58102-G61-06LF](#) [582553-1](#) [0009485154](#) [009176003701906](#) [0050291907](#) [LY20-4P-DT1-P1E-BR](#) [02.125.8002.8](#)  
[609-3404](#) [61062-3](#) [61082-181009](#) [622-3653LF](#) [63453-116](#) [636-1030](#) [636-1427](#) [636-3427](#) [636-4007](#) [641938-9](#) [641991-4](#) [644827-2](#) [65817-010LF](#) [65817-015LF](#) [65863-015LF](#) [66207-023LF](#) [67095-007LF](#) [67601157](#) [68645-018](#) [68648-049](#) [70.362.1628.0](#) [70-4210](#) [70-4226B](#) [70-4853B](#) [707-5020](#) [707-5028](#) [71.350.2428.0](#) [71918-208LF](#) [71961-016LF](#) [733-134](#) [733-162](#) [754199-000](#) [760-3052](#) [787-8014-00](#) [79531-3000](#)  
[FCN-360C032-B](#) [FCN-367T-T012/H](#) [FCN-723D010/2](#) [80.063.4001.1](#) [800-90-001-10-001000](#) [800-90-010-10-002000](#) [801-43-002-10-013000](#)