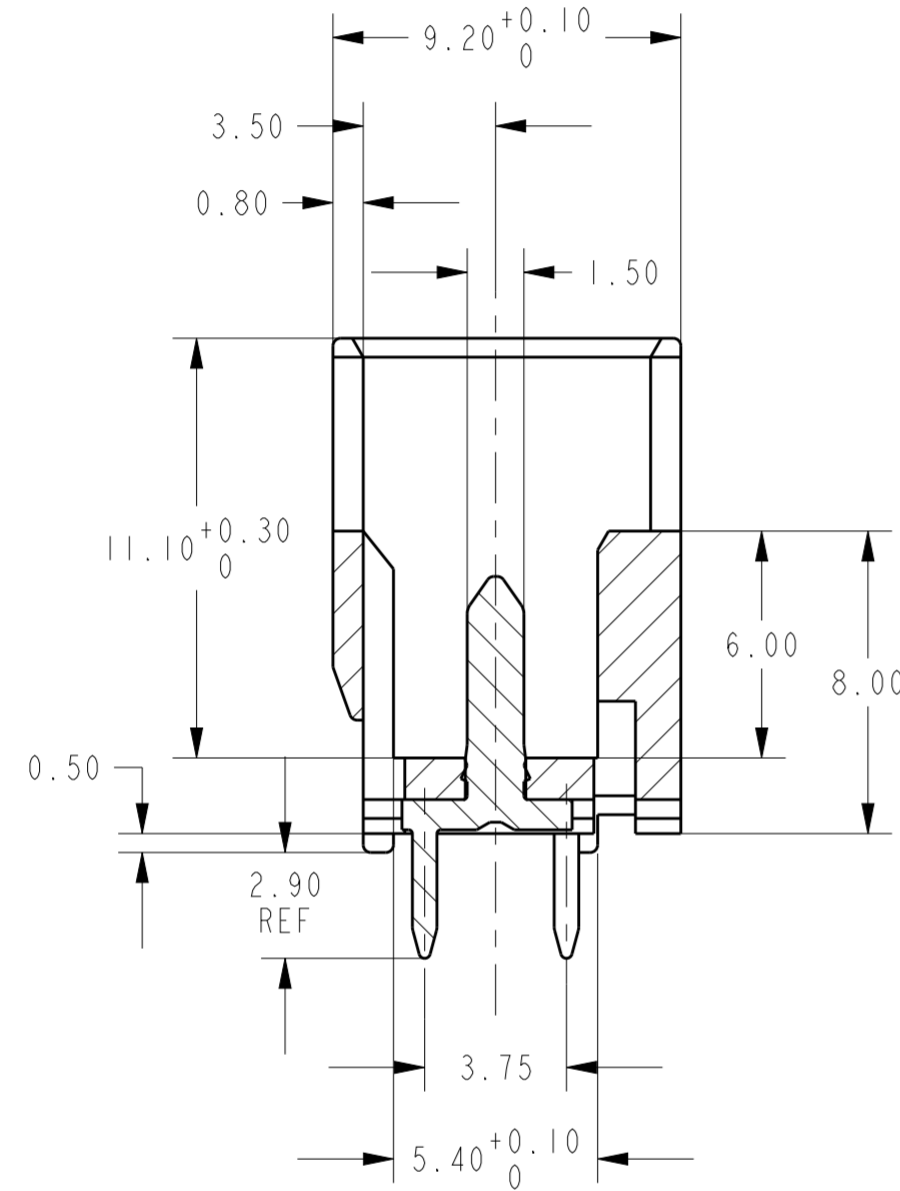


THIS DRAWING IS UNPUBLISHED. RELEASED FOR PUBLICATION 20  
 © COPYRIGHT 20 BY - ALL RIGHTS RESERVED.

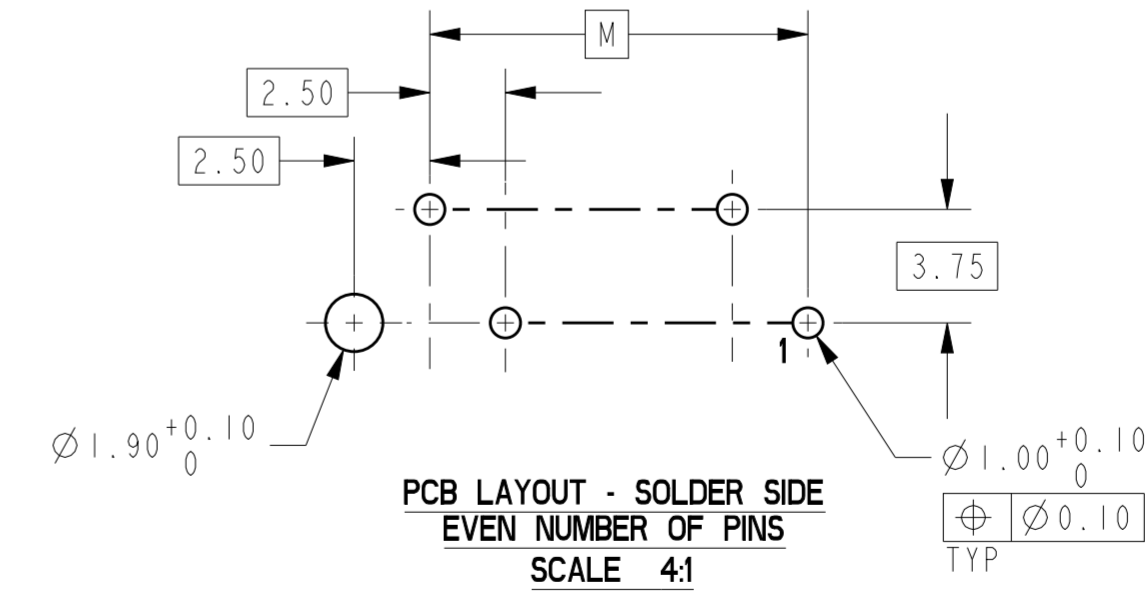
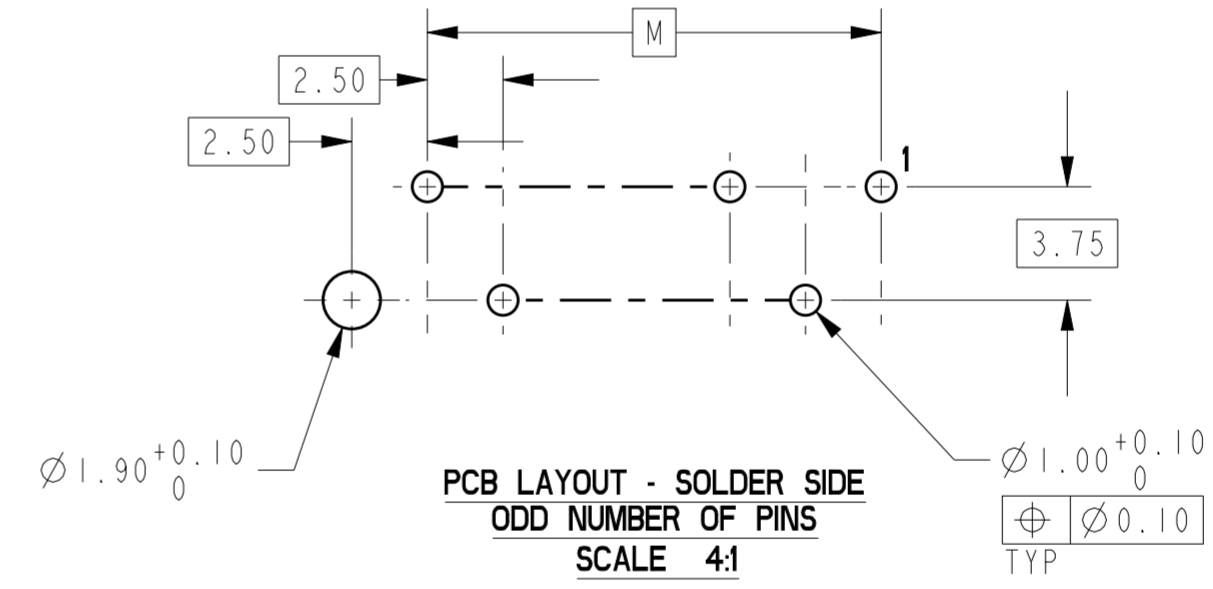
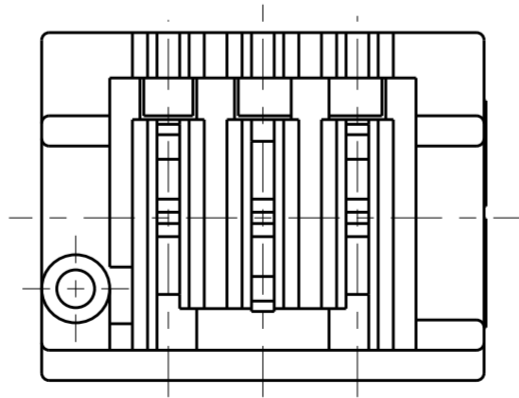
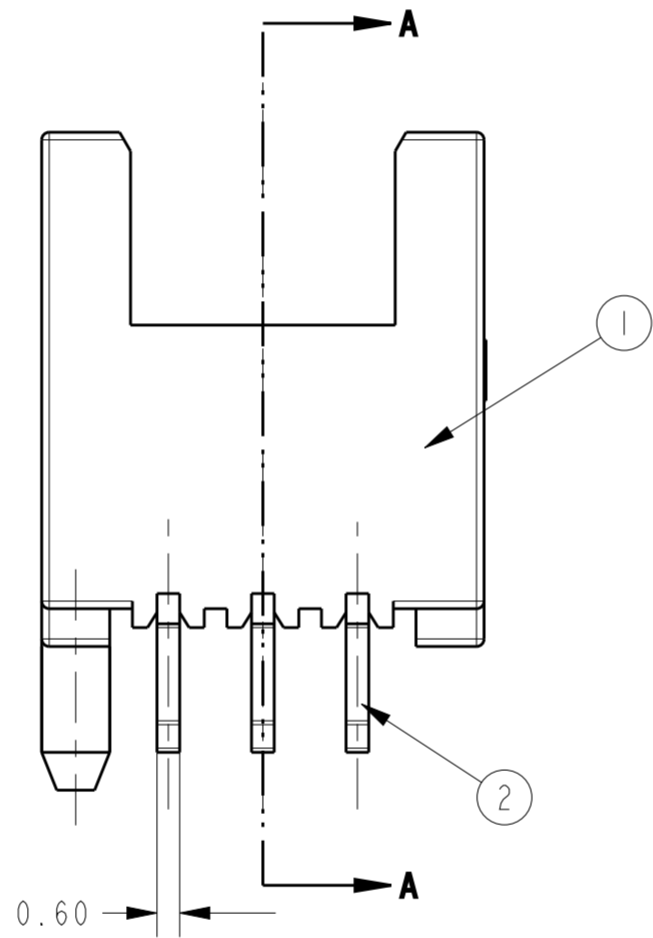
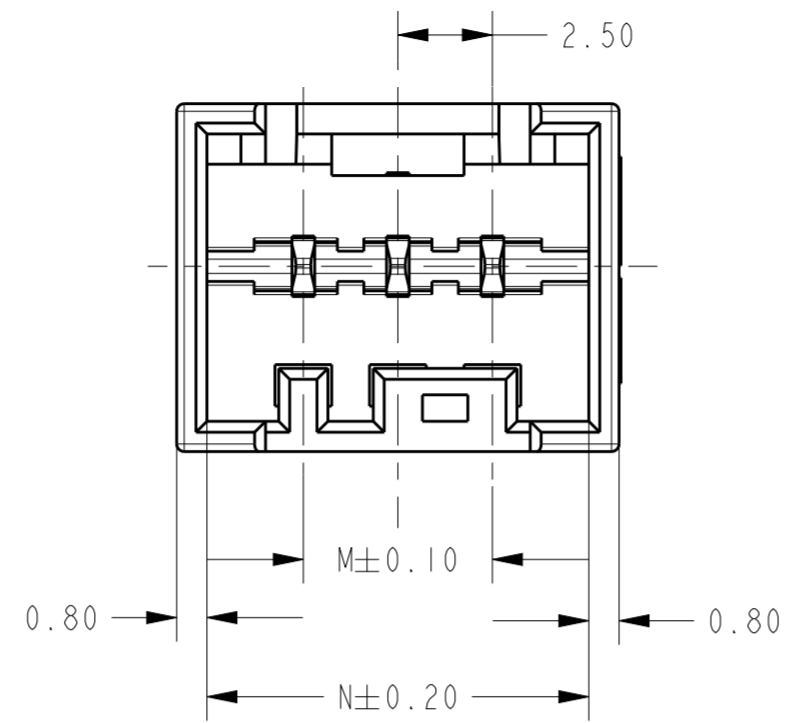
LOC		DIST		REVISIONS			
P	LTR	DESCRIPTION	DATE	DWN	APVD		
	A	FIRST RELEASE	15FEB2012	RC	EK		
	A1	ECR-12-016256	13SEP2012	WW	YHM		
	A2	ECR-12-021134	12NOV2012	W.W	YH.M		
	A3	ECR-13-001507	25JAN2013	W.W	YH.M		

**NOTE**

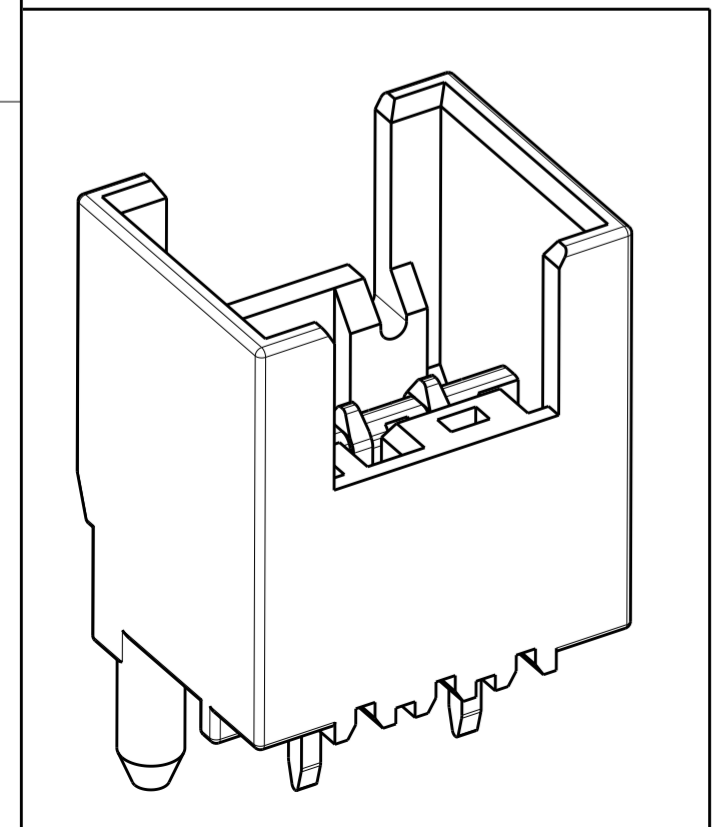
- SEE SHEET 2 FOR AVAILABLE CONFIGURATIONS
- MATERIAL: HOUSING, NYLON, UL94 V0, 750°C GWT NO FLAME  
 EIGHT COLORS AVAILABLE, INCLUDING: NATURAL, RED, BLUE, YELLOW, BLACK, GREY, GREEN, PURPLE  
 WHITE VERSION IS PRELIMINARY  
 CONTACT, COPPER ALLOY, 0.60MM THICK
- FINISH: OPTION 1: TIN PLATING OVER NICKEL UNDERPLATING  
 OPTION 2: AG PLATING OVER NICKEL UNDERPLATING
- PCB LAYOUT AS SHOWN
- THE PART NUMBERS SHOWING IN SHEET 2 & 3 & 4 ARE FOR NATURAL COLOR. THE PART NUMBER FOR OTHER COLOR ARE BASED ON THE NATURAL ONE: FOR THE SAME CONFIGURATION, THE PREFIX AND POSTFIX OF THE P/N ARE THE SAME, ONLY THE BASE NUMBER IS DIFFERENT ACCORDING TO DIFFERENT COLOR, DETAIL PLEASE SEE SHEET 5
- PACKAGING: LOOSE PIECE OR TUBE. THE PART NUMBERS IN THIS DRAWING ARE WITH LOOSE PIECE PACKAGING. PLEASE CONTACT US SALES REPRESENTATIVES FOR TUBE PACKAGING REQUIREMENT.



SECTION A-A



N	M	NO. OF POS.
40.10	35.00	15
37.60	32.50	14
35.10	30.00	13
32.60	27.50	12
30.10	25.00	11
27.60	22.50	10
25.10	20.00	9
22.60	17.50	8
20.10	15.00	7
17.60	12.50	6
15.10	10.00	5
12.60	7.50	4
10.10	5.00	3



THIS DRAWING IS A CONTROLLED DOCUMENT.

DIMENSIONS: mm	TOLERANCES UNLESS OTHERWISE SPECIFIED: 0 PLC ± 1 PLC ± 2 PLC ±0.20 3 PLC ± 4 PLC ± ANGLES ±° FINISH	DWN WINTER WANG 12NOV2012 CHK HAPYE WU 12NOV2012 APVD YUHONG MAO 12NOV2012	TE Connectivity	
MATERIAL		PRODUCT SPEC 108-106079	NAME RAST 2.5 TAB HEADER ASYY TH, VERTICAL, INTERNAL LOCKING	
		APPLICATION SPEC	SIZE A2	CAGE CODE 00779
		WEIGHT	DRAWING NO. C-1971819	RESTRICTED TO
		CUSTOMER DRAWING	SCALE NTS	SHEET 1 OF 5 REV A3

THIS DRAWING IS UNPUBLISHED. RELEASED FOR PUBLICATION 20  
 © COPYRIGHT 20 BY - ALL RIGHTS RESERVED.

LOC		DIST		REVISIONS			
P	LTR	DESCRIPTION	DATE	DWN	APVD		
-	-	SEE SHEET 1	-	-	-		

15	TAB CONTACT w/ AG PLATING	1	RAST 2.5 TAB HEADER HOUSING, INTERNAL LOCKING, 15P (SEE THE DETAIL LAYOUT ON SHEET 4)	15	3-1971840-5 2-1971840-5 1-1971840-5
14		1	RAST 2.5 TAB HEADER HOUSING, INTERNAL LOCKING, 14P (SEE THE DETAIL LAYOUT ON SHEET 4)	14	1-1971840-4
13		1	RAST 2.5 TAB HEADER HOUSING, INTERNAL LOCKING, 13P (SEE THE DETAIL LAYOUT ON SHEET 4)	13	1-1971840-3
12		1	RAST 2.5 TAB HEADER HOUSING, INTERNAL LOCKING, 12P (SEE THE DETAIL LAYOUT ON SHEET 4)	12	1-1971840-2
11		1	RAST 2.5 TAB HEADER HOUSING, INTERNAL LOCKING, 11P (SEE THE DETAIL LAYOUT ON SHEET 4)	11	2-1971840-1 1-1971840-1
QTY		②	QTY	①	POS.

10	TAB CONTACT w/ AG PLATING	1	RAST 2.5 TAB HEADER HOUSING, INTERNAL LOCKING, 10P (SEE THE DETAIL LAYOUT ON SHEET 4)	10	3-1971839-0 2-1971839-0 1-1971839-0					
6		1	RAST 2.5 TAB HEADER HOUSING, INTERNAL LOCKING, 9P (SEE THE DETAIL LAYOUT ON SHEET 4)	9	5-1971839-9 4-1971839-9 3-1971839-9 2-1971839-9 1-1971839-9					
9					1	RAST 2.5 TAB HEADER HOUSING, INTERNAL LOCKING, 8P (SEE THE DETAIL LAYOUT ON SHEET 4)	8	3-1971839-8 2-1971839-8 1-1971839-8		
8								1	RAST 2.5 TAB HEADER HOUSING, INTERNAL LOCKING, 7P (SEE THE DETAIL LAYOUT ON SHEET 4)	7
7		1	RAST 2.5 TAB HEADER HOUSING, INTERNAL LOCKING, 6P (SEE THE DETAIL LAYOUT ON SHEET 4)	6	4-1971839-6 3-1971839-6 2-1971839-6 1-1971839-6					
6					1	RAST 2.5 TAB HEADER HOUSING, INTERNAL LOCKING, 5P (SEE THE DETAIL LAYOUT ON SHEET 4)	5			
5		1	RAST 2.5 TAB HEADER HOUSING, INTERNAL LOCKING, 4P (SEE THE DETAIL LAYOUT ON SHEET 4)	4				5-1971839-4 4-1971839-4 3-1971839-4 2-1971839-4 1-1971839-4		
4					1	RAST 2.5 TAB HEADER HOUSING, INTERNAL LOCKING, 3P (SEE THE DETAIL LAYOUT ON SHEET 4)	3	1971839-3 9-1971839-3 8-1971839-3 7-1971839-3 6-1971839-3 5-1971839-3 4-1971839-3 3-1971839-3 2-1971839-3 1-1971839-3		
3								QTY	②	QTY

THIS DRAWING IS A CONTROLLED DOCUMENT.

DWN: WINTER WANG 12NOV2012  
 CHK: HAPYE WU 12NOV2012  
 APVD: YUHONG MAO 12NOV2012

**STE** TE Connectivity

NAME: RAST 2.5 TAB HEADER ASYY TH, VERTICAL, INTERNAL LOCKING

PRODUCT SPEC: -  
 APPLICATION SPEC: -  
 WEIGHT: -

SIZE: A2 CAGE CODE: 00779 DRAWING NO: C-1971819 RESTRICTED TO: -  
 SCALE: NTS SHEET 2 OF 5 REV: A3

CUSTOMER DRAWING

THIS DRAWING IS UNPUBLISHED. RELEASED FOR PUBLICATION 20  
 © COPYRIGHT 20 BY - ALL RIGHTS RESERVED.

LOC		DIST		REVISIONS			
P	LTR	DESCRIPTION	DATE	DWN	APVD		
-	-	SEE SHEET 1	-	-	-		

QTY	②	QTY	①	POS.	TE PART NO. ⑤
10	TAB CONTACT w/ TIN PLATING	1	RAST 2.5 TAB HEADER HOUSING, INTERNAL LOCKING, 10P (SEE THE DETAIL LAYOUT ON SHEET 4)	10	3-1971819-0
6		10		2-1971819-0	
9		9		1-1971819-0	
8		9		5-1971819-9	
7		9		4-1971819-9	
6		9		3-1971819-9	
5		9		2-1971819-9	
4		9		1-1971819-9	
3		8		3-1971819-8	
2		8		2-1971819-8	
1	8	1-1971819-8			
7	TAB CONTACT w/ TIN PLATING	1	RAST 2.5 TAB HEADER HOUSING, INTERNAL LOCKING, 7P (SEE THE DETAIL LAYOUT ON SHEET 4)	7	6-1971819-7
6		7		5-1971819-7	
5		7		4-1971819-7	
4		7		3-1971819-7	
3		7		2-1971819-7	
2		7		1-1971819-7	
1		6		4-1971819-6	
10		6		3-1971819-6	
9		6		2-1971819-6	
8		6		1-1971819-6	
7	TAB CONTACT w/ TIN PLATING	1	RAST 2.5 TAB HEADER HOUSING, INTERNAL LOCKING, 6P (SEE THE DETAIL LAYOUT ON SHEET 4)	5	4-1971819-5
6		5		3-1971819-5	
5		5		2-1971819-5	
4		5		1-1971819-5	
3		4		5-1971819-4	
2		4		4-1971819-4	
1		4		3-1971819-4	
10		4		2-1971819-4	
9		4		1-1971819-4	
8		3		1971819-3	
7	TAB CONTACT w/ TIN PLATING	1	RAST 2.5 TAB HEADER HOUSING, INTERNAL LOCKING, 3P (SEE THE DETAIL LAYOUT ON SHEET 4)	3	9-1971819-3
6		3		8-1971819-3	
5		3		7-1971819-3	
4		3		6-1971819-3	
3		3		5-1971819-3	
2		3		4-1971819-3	
1		3		3-1971819-3	
10		3		2-1971819-3	
9		3		1-1971819-3	
8		3		1-1971819-3	

QTY	②	QTY	①	POS.	TE PART NO. ⑤
15	TAB CONTACT w/ TIN PLATING	1	RAST 2.5 TAB HEADER HOUSING, INTERNAL LOCKING, 15P (SEE THE DETAIL LAYOUT ON SHEET 4)	15	3-1971820-5
14		15		2-1971820-5	
13		15		1-1971820-5	
12		14		1-1971820-4	
11		13		1-1971820-3	
10		12		1-1971820-2	
9		11		2-1971820-1	
8		11		1-1971820-1	
7		11		1-1971820-1	
6		11		1-1971820-1	
5		11		1-1971820-1	
4		11		1-1971820-1	
3		11		1-1971820-1	
2		11		1-1971820-1	
1		11		1-1971820-1	

THIS DRAWING IS A CONTROLLED DOCUMENT.

DWN: WINTER WANG 12NOV2012  
 CHK: HAPYE WU 12NOV2012  
 APVD: YUHONG MAO 12NOV2012

**STE** TE Connectivity

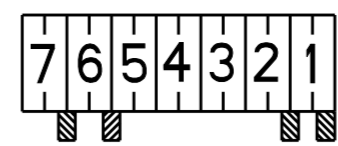
NAME: RAST 2.5 TAB HEADER ASYY TH, VERTICAL, INTERNAL LOCKING

SIZE: A2 CAGE CODE: 00779 DRAWING NO: 1971819 RESTRICTED TO: -

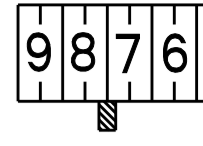
SCALE: NTS SHEET 3 OF 5 REV: A3

CUSTOMER DRAWING

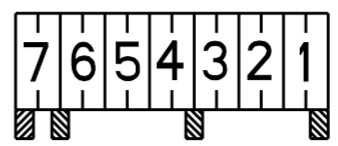
3-1971839-7



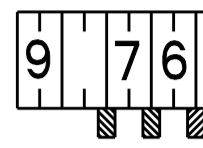
4-1971819-7  
4-1971839-7



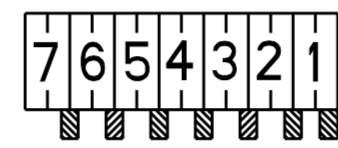
4-1971819-4  
4-1971839-4



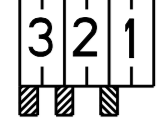
5-1971819-7  
5-1971839-7



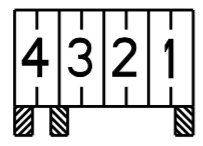
5-1971819-3  
5-1971839-3



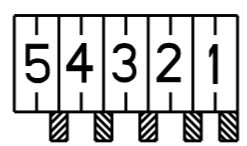
6-1971819-7  
6-1971839-7



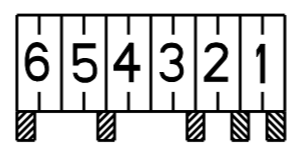
4-1971819-3  
4-1971839-3



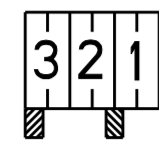
4-1971819-4  
4-1971839-4



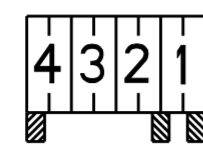
4-1971819-5  
4-1971839-5



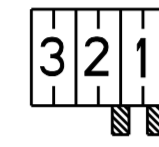
4-1971819-6  
4-1971839-6



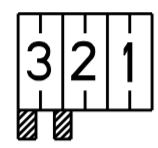
5-1971819-3  
5-1971839-3



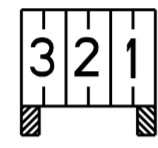
5-1971819-4  
5-1971839-4



6-1971819-3  
6-1971839-3



7-1971819-3  
7-1971839-3



9-1971819-3  
9-1971839-3



8-1971819-3  
8-1971839-3



1971819-3  
1971839-3

4 POS

5 POS

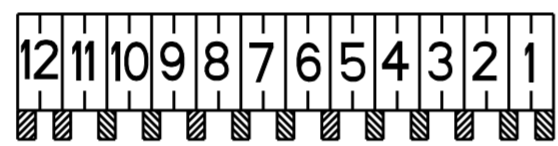
6 POS

7 POS

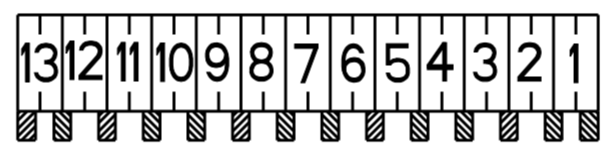
8 POS

9

3 POS



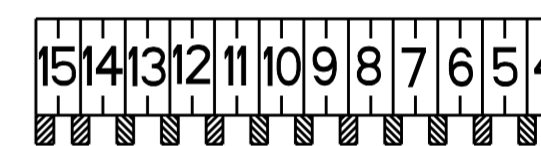
1-1971820-2  
1-1971840-2



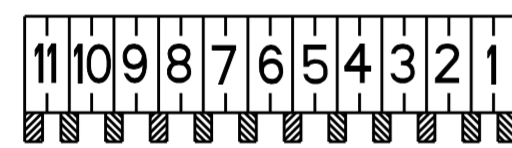
1-1971820-3  
1-1971840-3



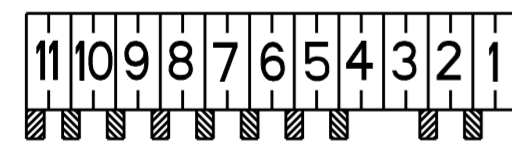
1-1971820-4  
1-1971840-4



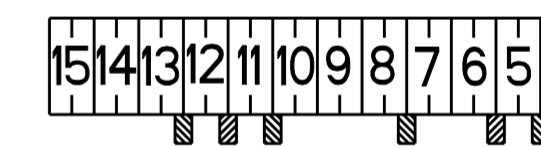
1-1971820-5  
1-1971840-5



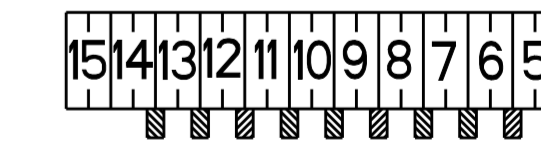
1-1971820-1  
1-1971840-1



2-1971820-1  
2-1971840-1



2-1971820-5  
2-1971840-5



3-1971820-5  
3-1971840-5

11 POS

12 POS

13 POS

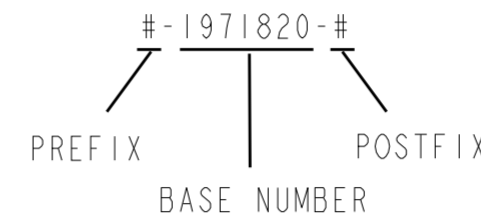
14 POS

15 POS

THIS DRAWING IS UNPUBLISHED. RELEASED FOR PUBLICATION 20  
 © COPYRIGHT 20 BY - ALL RIGHTS RESERVED.

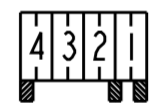
LOC		DIST		REVISIONS			
P	LTR	DESCRIPTION	DATE	DWN	APVD		
-	-	SEE SHEET 1	-	-	-		

FOR ANY KEYING CONFIGURATION, THERE ARE EIGHT COLORS AVAILABLE, BESIDES THE NATURAL COLOR, THERE ARE OTHER SEVEN COLORS, INCLUDE: YELLOW, BLUE, GREY, PURPLE, RED, GREEN, BLACK. THE WHITE VERSION IS PRELIMINARY. THE P/N OF THE COLOR CONNECTOR ARE BASED ON THE NATURAL CONNECTOR, THE PREFIX AND POSTFIX ARE THE SAME FOR THE SAME KEYING CONFIGURATION, BUT THE BASE NUMBERS ARE DIFFERENT ACCORDING TO DIFFERENT COLOR. THE FOLLOWING SHOWS WHAT'S THE P/N FOR COLOR CONNECTOR



COLOR	PART NUMBER OF THE CONNECTOR				COMMENTS
	WITH TIN PLATING CONTACT		WITH AG PLATING CONTACT		
NATURAL	#-1971819-#	#-1971820-#	#-1971839-#	#-1971840-#	THE DETAIL P/N FOR DIFFERENT KEYING SEE SHEET 2 & 3 & 4
RED	#-2232161-#	#-2232162-#	#-2232163-#	#-2232164-#	THE PREFIX AND POSTFIX ARE THE SAME WITH THE P/N OF THE NATURAL CONNECTOR FOR THE SAME KEYING CONFIGURATION, JUST THE BASE NUMBERS ARE DIFFERENT BASED ON DIFFERENT COLOR. # CAN BE THE NUMBER FROM 0 TO 9.
BLUE	#-2232165-#	#-2232166-#	#-2232167-#	#-2232168-#	
YELLOW	#-2232169-#	#-2232170-#	#-2232171-#	#-2232172-#	
BALCK	#-2232173-#	#-2232174-#	#-2232175-#	#-2232176-#	
GREY	#-2232177-#	#-2232178-#	#-2232179-#	#-2232180-#	
GREEN	#-2232181-#	#-2232182-#	#-2232183-#	#-2232184-#	
PURPLE	#-2232185-#	#-2232186-#	#-2232187-#	#-2232188-#	
WHITE	#-2232281-#	#-2232282-#	#-2232283-#	#-2232284-#	

FOR EXAMPLE, IF A CONNECTOR WITH THE CONFIGURATION AS BELOW, AND WITH TIN PLATING CONTACT, IN THE SHEET 4, WE CAN FIND THE RELATED CONNECTOR P/N WITH NATURAL COLOR IS 5-1971819-4, THEN WE CAN LOOK IN THE ABOVE TABLE TO FIND THE CONNECTOR P/N WITH RED COLOR IS 5-2232161-4



THIS DRAWING IS A CONTROLLED DOCUMENT.		DWN WINTER WANG 12NOV2012	TE Connectivity	
DIMENSIONS: mm		CHK HAPYE WU 12NOV2012		
TOLERANCES UNLESS OTHERWISE SPECIFIED:		APVD YUJHONG MAO 12NOV2012	NAME RAST 2.5 TAB HEADER ASYY TH, VERTICAL, INTERNAL LOCKING	
		PRODUCT SPEC 108-106079	RESTRICTED TO	
MATERIAL		APPLICATION SPEC	SIZE A2	CAGE CODE 00779
FINISH		WEIGHT	DRAWING NO C-1971819	SCALE NTS
		CUSTOMER DRAWING	SHEET 5	OF 5
			REV A3	

## X-ON Electronics

Largest Supplier of Electrical and Electronic Components

*Click to view similar products for [Headers & Wire Housings](#) category:*

*Click to view products by [TE Connectivity](#) manufacturer:*

Other Similar products are found below :

[892-18-020-10-001101](#) [58102-G61-06LF](#) [582553-1](#) [0009485154](#) [009176003701906](#) [0050291907](#) [LY20-4P-DT1-P1E-BR](#) [02.125.8002.8](#)  
[609-3404](#) [61062-3](#) [61082-181009](#) [622-3653LF](#) [63453-116](#) [636-1030](#) [636-1427](#) [636-3427](#) [636-4007](#) [641938-9](#) [641991-4](#) [644827-2](#) [65817-010LF](#) [65817-015LF](#) [65863-015LF](#) [66207-023LF](#) [67095-007LF](#) [67601157](#) [68645-018](#) [68648-049](#) [70.362.1628.0](#) [70-4210](#) [70-4226B](#) [70-4853B](#) [707-5020](#) [707-5028](#) [71.350.2428.0](#) [71918-208LF](#) [71961-016LF](#) [733-134](#) [733-162](#) [754199-000](#) [760-3052](#) [787-8014-00](#) [79531-3000](#)  
[FCN-360C032-B](#) [FCN-367T-T012/H](#) [FCN-723D010/2](#) [80.063.4001.1](#) [800-90-001-10-001000](#) [800-90-010-10-002000](#) [801-43-002-10-013000](#)