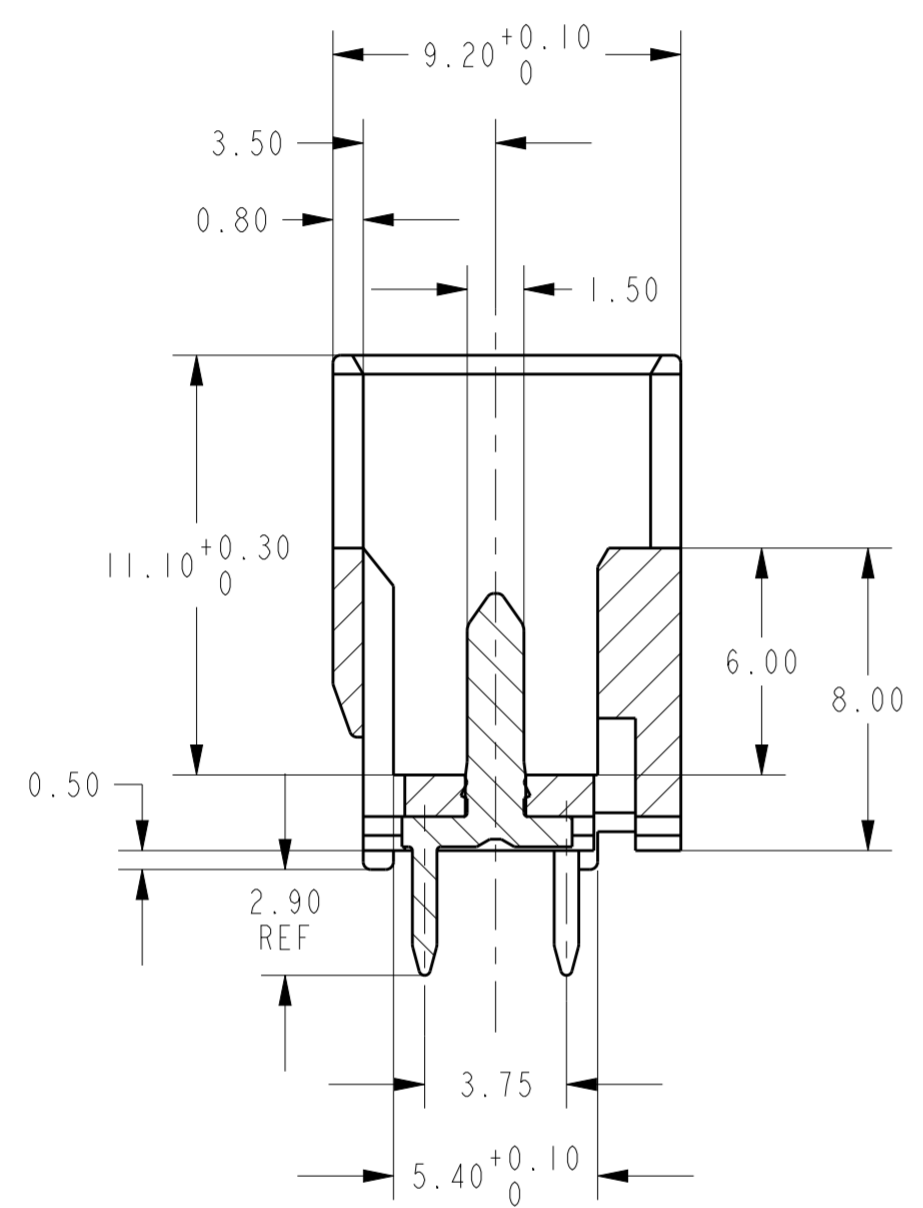
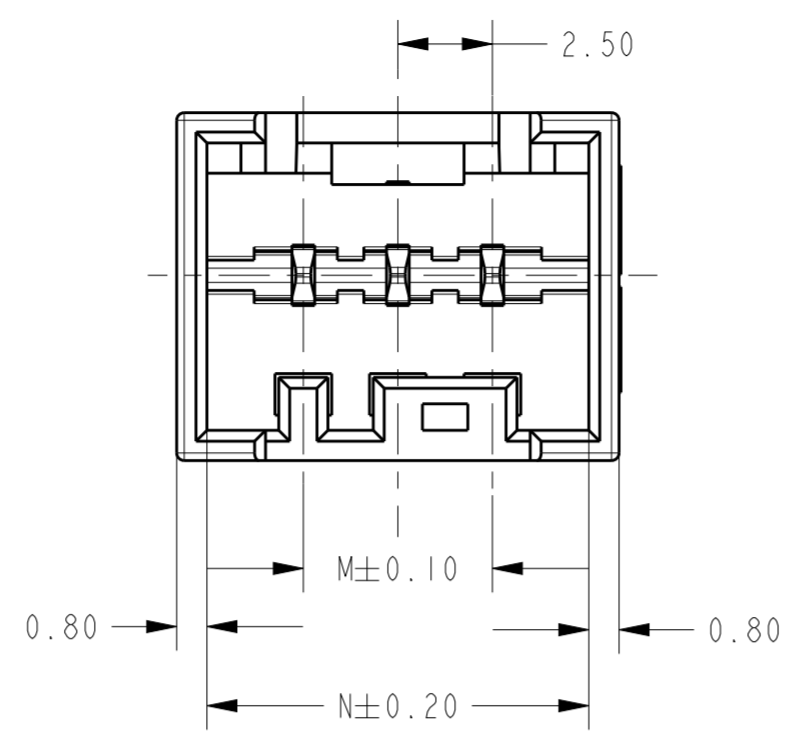


THIS DRAWING IS UNPUBLISHED. RELEASED FOR PUBLICATION 20
 © COPYRIGHT 20 BY - ALL RIGHTS RESERVED.

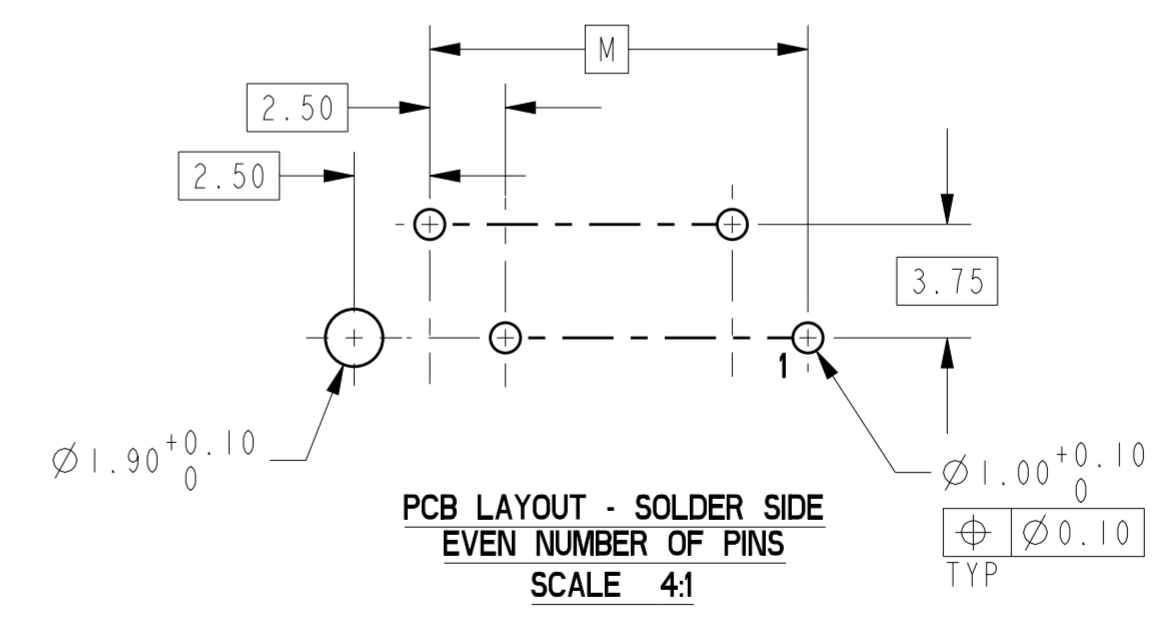
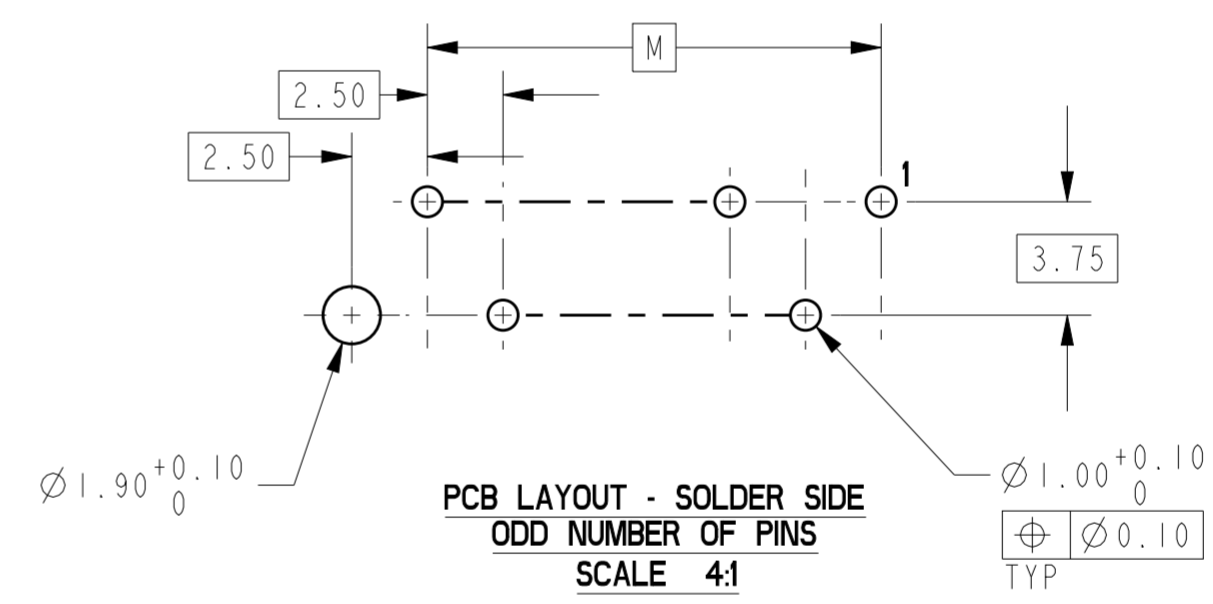
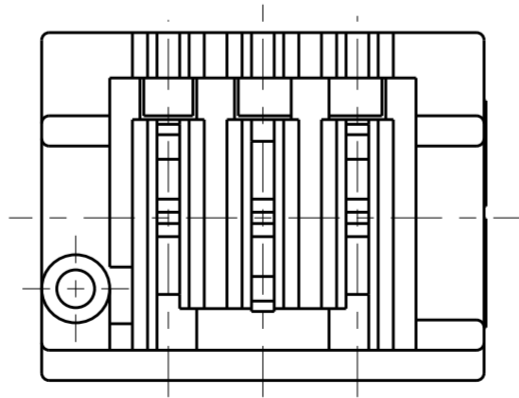
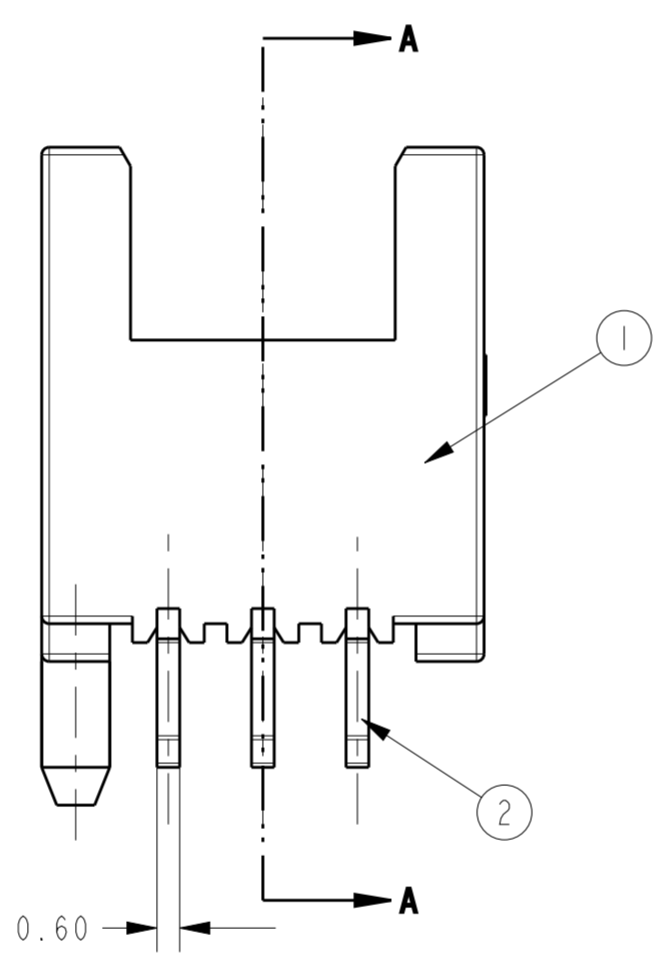
| LOC | | DIST | | REVISIONS | | | |
|-----|-----|---------------|-----------|-----------|------|--|--|
| P | LTR | DESCRIPTION | DATE | DWN | APVD | | |
| | A | FIRST RELEASE | 15FEB2012 | RC | EK | | |
| | A1 | ECR-12-016256 | 13SEP2012 | WW | YHM | | |
| | A2 | ECR-12-021134 | 12NOV2012 | W.W | YH.M | | |
| | A3 | ECR-13-001507 | 25JAN2013 | W.W | YH.M | | |

NOTE

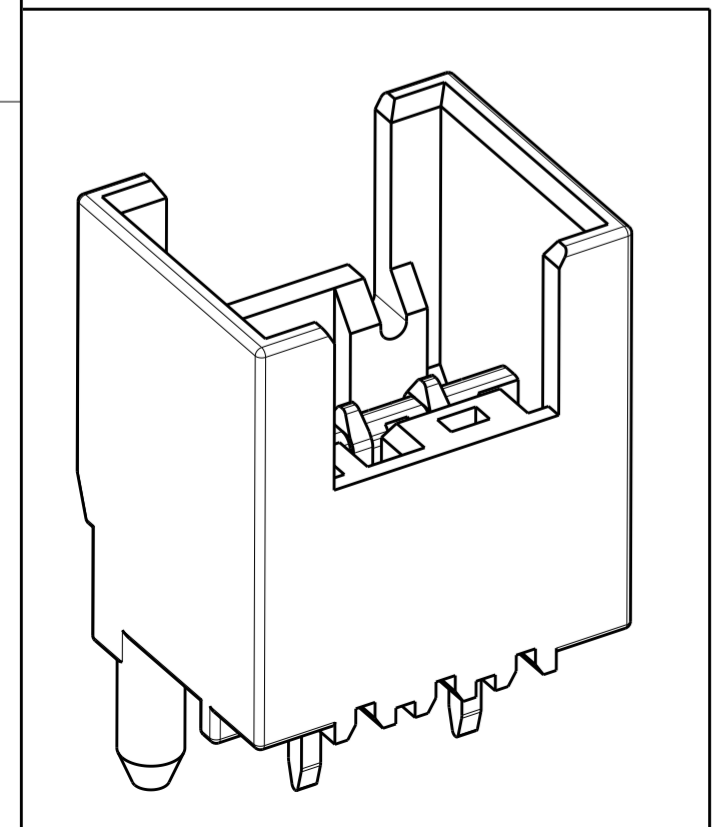
- SEE SHEET 2 FOR AVAILABLE CONFIGURATIONS
- MATERIAL: HOUSING, NYLON, UL94 V0, 750°C GWT NO FLAME
 EIGHT COLORS AVAILABLE, INCLUDING: NATURAL, RED, BLUE, YELLOW, BLACK, GREY, GREEN, PURPLE
 WHITE VERSION IS PRELIMINARY
 CONTACT, COPPER ALLOY, 0.60MM THICK
- FINISH: OPTION 1: TIN PLATING OVER NICKEL UNDERPLATING
 OPTION 2: AG PLATING OVER NICKEL UNDERPLATING
- PCB LAYOUT AS SHOWN
- THE PART NUMBERS SHOWING IN SHEET 2 & 3 & 4 ARE FOR NATURAL COLOR. THE PART NUMBER FOR OTHER COLOR ARE BASED ON THE NATURAL ONE: FOR THE SAME CONFIGURATION, THE PREFIX AND POSTFIX OF THE P/N ARE THE SAME, ONLY THE BASE NUMBER IS DIFFERENT ACCORDING TO DIFFERENT COLOR, DETAIL PLEASE SEE SHEET 5
- PACKAGING: LOOSE PIECE OR TUBE. THE PART NUMBERS IN THIS DRAWING ARE WITH LOOSE PIECE PACKAGING. PLEASE CONTACT US SALES REPRESENTATIVES FOR TUBE PACKAGING REQUIREMENT.



SECTION A-A



| | | |
|----------|----------|--------------------|
| 40.10 | 35.00 | 15 |
| 37.60 | 32.50 | 14 |
| 35.10 | 30.00 | 13 |
| 32.60 | 27.50 | 12 |
| 30.10 | 25.00 | 11 |
| 27.60 | 22.50 | 10 |
| 25.10 | 20.00 | 9 |
| 22.60 | 17.50 | 8 |
| 20.10 | 15.00 | 7 |
| 17.60 | 12.50 | 6 |
| 15.10 | 10.00 | 5 |
| 12.60 | 7.50 | 4 |
| 10.10 | 5.00 | 3 |
| N | M | NO. OF POS. |



| | | | | |
|--|--|----------------------------|---|--|
| THIS DRAWING IS A CONTROLLED DOCUMENT. | | DWN: WINTER WANG 12NOV2012 | TE Connectivity | |
| | | CHK: HAPYE WU 12NOV2012 | | |
| | | APVD: YUHONG MAO 12NOV2012 | NAME: RAST 2.5 TAB HEADER ASYY TH, VERTICAL, INTERNAL LOCKING | |
| DIMENSIONS: mm | | PRODUCT SPEC: 108-106079 | SIZE: A2 | |
| TOLERANCES UNLESS OTHERWISE SPECIFIED: | | APPLICATION SPEC: - | CAGE CODE: 00779 | |
| 0 PLC ± | | WEIGHT: - | DRAWING NO: C-1971819 | |
| 1 PLC ± | | CUSTOMER DRAWING | RESTRICTED TO: - | |
| 2 PLC ±0.20 | | SCALE: NTS | SHEET 1 OF 5 | |
| 3 PLC ± | | | REV: A3 | |
| 4 PLC ± | | | | |
| ANGLES ±° | | | | |
| FINISH | | | | |

THIS DRAWING IS UNPUBLISHED. RELEASED FOR PUBLICATION 20
 © COPYRIGHT 20 BY - ALL RIGHTS RESERVED.

| LOC | | DIST | | REVISIONS | | | |
|-----|-----|-------------|------|-----------|------|--|--|
| P | LTR | DESCRIPTION | DATE | DWN | APVD | | |
| - | - | SEE SHEET 1 | - | - | - | | |

| | | | | | |
|-----|------------------------------|---|---|----|---|
| 15 | TAB CONTACT w/ AG PLATING | 1 | RAST 2.5 TAB HEADER HOUSING, INTERNAL LOCKING, 15P (SEE THE DETAIL LAYOUT ON SHEET 4) | 15 | 3-1971840-5 2-1971840-5 1-1971840-5 |
| 14 | | 1 | RAST 2.5 TAB HEADER HOUSING, INTERNAL LOCKING, 14P (SEE THE DETAIL LAYOUT ON SHEET 4) | 14 | 1-1971840-4 |
| 13 | | 1 | RAST 2.5 TAB HEADER HOUSING, INTERNAL LOCKING, 13P (SEE THE DETAIL LAYOUT ON SHEET 4) | 13 | 1-1971840-3 |
| 12 | | 1 | RAST 2.5 TAB HEADER HOUSING, INTERNAL LOCKING, 12P (SEE THE DETAIL LAYOUT ON SHEET 4) | 12 | 1-1971840-2 |
| 11 | | 1 | RAST 2.5 TAB HEADER HOUSING, INTERNAL LOCKING, 11P (SEE THE DETAIL LAYOUT ON SHEET 4) | 11 | 2-1971840-1 1-1971840-1 |
| QTY | | ② | QTY | ① | POS. |

| | | | | | | | | | | |
|----|------------------------------|---|---|----|---|--|---|--|--|-----|
| 10 | TAB CONTACT w/ AG PLATING | 1 | RAST 2.5 TAB HEADER HOUSING, INTERNAL LOCKING, 10P (SEE THE DETAIL LAYOUT ON SHEET 4) | 10 | 3-1971839-0 2-1971839-0 1-1971839-0 | | | | | |
| 6 | | 1 | RAST 2.5 TAB HEADER HOUSING, INTERNAL LOCKING, 9P (SEE THE DETAIL LAYOUT ON SHEET 4) | 9 | 5-1971839-9 4-1971839-9 3-1971839-9 2-1971839-9 1-1971839-9 | | | | | |
| 9 | | | | | 1 | RAST 2.5 TAB HEADER HOUSING, INTERNAL LOCKING, 8P (SEE THE DETAIL LAYOUT ON SHEET 4) | 8 | 3-1971839-8 2-1971839-8 1-1971839-8 | | |
| 8 | | | | | | | | 1 | RAST 2.5 TAB HEADER HOUSING, INTERNAL LOCKING, 7P (SEE THE DETAIL LAYOUT ON SHEET 4) | 7 |
| 7 | | 1 | RAST 2.5 TAB HEADER HOUSING, INTERNAL LOCKING, 6P (SEE THE DETAIL LAYOUT ON SHEET 4) | 6 | 4-1971839-6 3-1971839-6 2-1971839-6 1-1971839-6 | | | | | |
| 6 | | | | | 1 | RAST 2.5 TAB HEADER HOUSING, INTERNAL LOCKING, 5P (SEE THE DETAIL LAYOUT ON SHEET 4) | 5 | | | |
| 5 | | 1 | RAST 2.5 TAB HEADER HOUSING, INTERNAL LOCKING, 4P (SEE THE DETAIL LAYOUT ON SHEET 4) | 4 | | | | 5-1971839-4 4-1971839-4 3-1971839-4 2-1971839-4 1-1971839-4 | | |
| 4 | | | | | 1 | RAST 2.5 TAB HEADER HOUSING, INTERNAL LOCKING, 3P (SEE THE DETAIL LAYOUT ON SHEET 4) | 3 | 1971839-3 9-1971839-3 8-1971839-3 7-1971839-3 6-1971839-3 5-1971839-3 4-1971839-3 3-1971839-3 2-1971839-3 1-1971839-3 | | |
| 3 | | | | | | | | QTY | ② | QTY |

THIS DRAWING IS A CONTROLLED DOCUMENT.

DWN: WINTER WANG 12NOV2012
 CHK: HAPYE WU 12NOV2012
 APVD: YUJHONG MAO 12NOV2012

STE TE Connectivity

NAME: RAST 2.5 TAB HEADER ASYY TH, VERTICAL, INTERNAL LOCKING

PRODUCT SPEC: -
 APPLICATION SPEC: -
 WEIGHT: -

SIZE: A2 CAGE CODE: 00779 DRAWING NO: C-1971819 RESTRICTED TO: -
 SCALE: NTS SHEET 2 OF 5 REV: A3


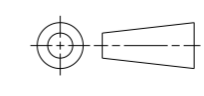
CUSTOMER DRAWING

THIS DRAWING IS UNPUBLISHED. RELEASED FOR PUBLICATION 20
 © COPYRIGHT 20 BY - ALL RIGHTS RESERVED.

| LOC | | DIST | | REVISIONS | | | |
|-----|-----|-------------|------|-----------|------|--|--|
| P | LTR | DESCRIPTION | DATE | DWN | APVD | | |
| - | - | SEE SHEET 1 | - | - | - | | |

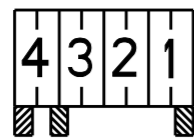
| QTY | ② | QTY | ① | POS. | TE PART NO. ⑤ |
|-----|-------------------------------|-------------|---|------|---------------|
| 10 | TAB CONTACT w/ TIN PLATING | 1 | RAST 2.5 TAB HEADER HOUSING, INTERNAL LOCKING, 10P (SEE THE DETAIL LAYOUT ON SHEET 4) | 10 | 3-1971819-0 |
| 6 | | 2-1971819-0 | | | |
| 9 | | 1-1971819-0 | | | |
| 8 | | 5-1971819-9 | | | |
| 7 | | 4-1971819-9 | | | |
| 6 | | 3-1971819-9 | | | |
| 5 | | 2-1971819-9 | | | |
| 4 | | 1-1971819-9 | | | |
| 3 | | 3-1971819-8 | | | |
| 2 | | 2-1971819-8 | | | |
| 1 | 1-1971819-8 | | | | |
| 7 | TAB CONTACT w/ TIN PLATING | 1 | RAST 2.5 TAB HEADER HOUSING, INTERNAL LOCKING, 7P (SEE THE DETAIL LAYOUT ON SHEET 4) | 7 | 6-1971819-7 |
| 6 | | 5-1971819-7 | | | |
| 5 | | 4-1971819-7 | | | |
| 4 | | 3-1971819-7 | | | |
| 3 | | 2-1971819-7 | | | |
| 2 | | 1-1971819-7 | | | |
| 1 | | 4-1971819-6 | | | |
| 1 | | 3-1971819-6 | | | |
| 1 | | 2-1971819-6 | | | |
| 1 | | 1-1971819-6 | | | |
| 5 | TAB CONTACT w/ TIN PLATING | 1 | RAST 2.5 TAB HEADER HOUSING, INTERNAL LOCKING, 5P (SEE THE DETAIL LAYOUT ON SHEET 4) | 5 | 4-1971819-5 |
| 4 | | 3-1971819-5 | | | |
| 3 | | 2-1971819-5 | | | |
| 2 | | 1-1971819-5 | | | |
| 1 | | 5-1971819-4 | | | |
| 1 | | 4-1971819-4 | | | |
| 1 | | 3-1971819-4 | | | |
| 1 | | 2-1971819-4 | | | |
| 1 | | 1-1971819-4 | | | |
| 1 | | 1971819-3 | | | |
| 1 | 9-1971819-3 | | | | |
| 1 | 8-1971819-3 | | | | |
| 1 | 7-1971819-3 | | | | |
| 1 | 6-1971819-3 | | | | |
| 1 | 5-1971819-3 | | | | |
| 1 | 4-1971819-3 | | | | |
| 1 | 3-1971819-3 | | | | |
| 1 | 2-1971819-3 | | | | |
| 1 | 1-1971819-3 | | | | |

| QTY | ② | QTY | ① | POS. | TE PART NO. ⑤ |
|-----|-------------------------------|-------------|---|------|---------------|
| 15 | TAB CONTACT w/ TIN PLATING | 1 | RAST 2.5 TAB HEADER HOUSING, INTERNAL LOCKING, 15P (SEE THE DETAIL LAYOUT ON SHEET 4) | 15 | 3-1971820-5 |
| 14 | | 2-1971820-5 | | | |
| 13 | | 1-1971820-5 | | | |
| 12 | | 1-1971820-4 | | | |
| 11 | | 1-1971820-3 | | | |
| 10 | | 1-1971820-2 | | | |
| 9 | | 2-1971820-1 | | | |
| 8 | | 1-1971820-1 | | | |
| 7 | | 1-1971820-1 | | | |
| 6 | | 1-1971820-1 | | | |
| 5 | | 1-1971820-1 | | | |
| 4 | | 1-1971820-1 | | | |
| 3 | | 1-1971820-1 | | | |
| 2 | | 1-1971820-1 | | | |
| 1 | | 1-1971820-1 | | | |

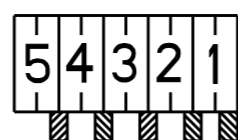
| | | | | |
|---|--|----------------------------------|---|---------------------|
| THIS DRAWING IS A CONTROLLED DOCUMENT. | | DWN WINTER WANG 12NOV2012 |  TE Connectivity | |
| DIMENSIONS: mm | | CHK HAPYE WU 12NOV2012 | | |
| TOLERANCES UNLESS OTHERWISE SPECIFIED: | | APVD YUJHONG MAO 12NOV2012 | NAME RAST 2.5 TAB HEADER ASYY TH, VERTICAL, INTERNAL LOCKING | |
|  | | PRODUCT SPEC | SIZE | |
| 0 PLC ± 1 PLC ± 2 PLC ±0.20 3 PLC ± 4 PLC ± ANGLES ±° FINISH | | APPLICATION SPEC | CAGE CODE | DRAWING NO |
| MATERIAL | | WEIGHT | A2100779 | G-1971819 |
| | | CUSTOMER DRAWING | SCALE | RESTRICTED TO |
| | | | NTS | SHEET 3 OF 5 REV A3 |



4-1971819-3
4-1971839-3 ⁵



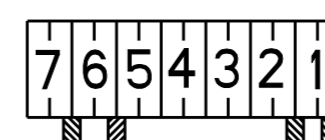
4-1971819-4
4-1971839-4 ⁵



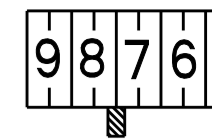
4-1971819-5
4-1971839-5 ⁵



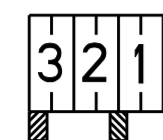
4-1971819-6
4-1971839-6 ⁵



4-1971819-7
4-1971839-7 ⁵



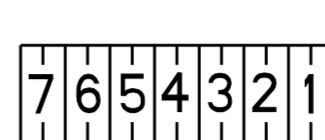
4-1971819-8
4-1971839-8



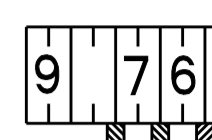
5-1971819-3
5-1971839-3 ⁵



5-1971819-4
5-1971839-4 ⁵



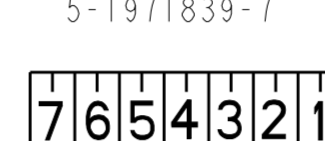
5-1971819-7
5-1971839-7 ⁵



5-1971819-9
5-1971839-9



6-1971819-3
6-1971839-3 ⁵



6-1971819-7
6-1971839-7 ⁵



7-1971819-3 9-1971819-3
7-1971839-3 ⁵ 9-1971839-3 ⁵



8-1971819-3 1971819-3
8-1971839-3 ⁵ 1971839-3 ⁵

4 POS

5 POS

6 POS

7 POS

8 POS

9

3 POS



1-1971820-2
1-1971840-2 ⁵



1-1971820-3
1-1971840-3 ⁵



1-1971820-4
1-1971840-4 ⁵



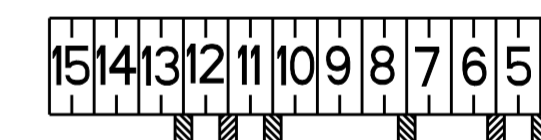
1-1971820-5
1-1971840-5 ⁵



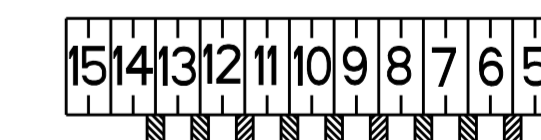
1-1971820-1
1-1971840-1 ⁵



2-1971820-1
2-1971840-1 ⁵



2-1971820-5
2-1971840-5 ⁵



3-1971820-5
3-1971840-5 ⁵

11 POS

12 POS

13 POS

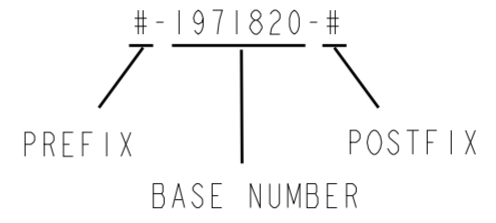
14 POS

15 POS

THIS DRAWING IS UNPUBLISHED. RELEASED FOR PUBLICATION 20
 © COPYRIGHT 20 BY - ALL RIGHTS RESERVED.

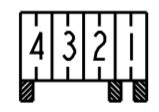
| LOC | | DIST | | REVISIONS | | | |
|-----|-----|-------------|------|-----------|------|--|--|
| P | LTR | DESCRIPTION | DATE | DWN | APVD | | |
| - | - | SEE SHEET 1 | - | - | - | | |

FOR ANY KEYING CONFIGURATION, THERE ARE EIGHT COLORS AVAILABLE, BESIDES THE NATURAL COLOR, THERE ARE OTHER SEVEN COLORS, INCLUDE: YELLOW, BLUE, GREY, PURPLE, RED, GREEN, BLACK. THE WHITE VERSION IS PRELIMINARY. THE P/N OF THE COLOR CONNECTOR ARE BASED ON THE NATURAL CONNECTOR, THE PREFIX AND POSTFIX ARE THE SAME FOR THE SAME KEYING CONFIGURATION, BUT THE BASE NUMBERS ARE DIFFERENT ACCORDING TO DIFFERENT COLOR. THE FOLLOWING SHOWS WHAT'S THE P/N FOR COLOR CONNECTOR



| COLOR | PART NUMBER OF THE CONNECTOR | | | | COMMENTS |
|---------|------------------------------|-------------|-------------------------|-------------|---|
| | WITH TIN PLATING CONTACT | | WITH AG PLATING CONTACT | | |
| NATURAL | #-1971819-# | #-1971820-# | #-1971839-# | #-1971840-# | THE DETAIL P/N FOR DIFFERENT KEYING SEE SHEET 2 & 3 & 4 |
| RED | #-2232161-# | #-2232162-# | #-2232163-# | #-2232164-# | THE PREFIX AND POSTFIX ARE THE SAME WITH THE P/N OF THE NATURAL CONNECTOR FOR THE SAME KEYING CONFIGURATION, JUST THE BASE NUMBERS ARE DIFFERENT BASED ON DIFFERENT COLOR. # CAN BE THE NUMBER FROM 0 TO 9. |
| BLUE | #-2232165-# | #-2232166-# | #-2232167-# | #-2232168-# | |
| YELLOW | #-2232169-# | #-2232170-# | #-2232171-# | #-2232172-# | |
| BALCK | #-2232173-# | #-2232174-# | #-2232175-# | #-2232176-# | |
| GREY | #-2232177-# | #-2232178-# | #-2232179-# | #-2232180-# | |
| GREEN | #-2232181-# | #-2232182-# | #-2232183-# | #-2232184-# | |
| PURPLE | #-2232185-# | #-2232186-# | #-2232187-# | #-2232188-# | |
| WHITE | #-2232281-# | #-2232282-# | #-2232283-# | #-2232284-# | |

FOR EXAMPLE, IF A CONNECTOR WITH THE CONFIGURATION AS BELOW, AND WITH TIN PLATING CONTACT, IN THE SHEET 4, WE CAN FIND THE RELATED CONNECTOR P/N WITH NATURAL COLOR IS 5-1971819-4, THEN WE CAN LOOK IN THE ABOVE TABLE TO FIND THE CONNECTOR P/N WITH RED COLOR IS 5-2232161-4



| | | | | |
|--|--|----------------------------------|--|--------------------|
| THIS DRAWING IS A CONTROLLED DOCUMENT. | | DWN WINTER WANG 12NOV2012 | TE Connectivity | |
| DIMENSIONS: mm | | CHK HAPYE WU 12NOV2012 | | |
| TOLERANCES UNLESS OTHERWISE SPECIFIED: 0 PLC ± 1 PLC ± 2 PLC ±0.20 3 PLC ± 4 PLC ± ANGLES ±° FINISH | | APVD YUJHONG MAO 12NOV2012 | NAME RAST 2.5 TAB HEADER ASYY TH, VERTICAL, INTERNAL LOCKING | |
| MATERIAL | | PRODUCT SPEC 108-106079 | SIZE A2 | CAGE CODE 00779 |
| | | APPLICATION SPEC | DRAWING NO C-1971819 | RESTRICTED TO |
| | | WEIGHT | SCALE NTS SHEET 5 OF 5 REV A3 | |
| | | CUSTOMER DRAWING | | |

X-ON Electronics

Largest Supplier of Electrical and Electronic Components

Click to view similar products for [Headers & Wire Housings](#) category:

Click to view products by [TE Connectivity](#) manufacturer:

Other Similar products are found below :

[892-18-020-10-001101](#) [58102-G61-06LF](#) [582553-1](#) [0009485154](#) [009176003701906](#) [0050291907](#) [LY20-4P-DT1-P1E-BR](#) [02.125.8002.8](#)
[609-3404](#) [61062-3](#) [61082-181009](#) [622-3653LF](#) [63453-116](#) [636-1030](#) [636-1427](#) [636-3427](#) [636-4007](#) [641938-9](#) [641991-4](#) [644827-2](#) [65817-](#)
[010LF](#) [65817-015LF](#) [65863-015LF](#) [66207-023LF](#) [67095-007LF](#) [67601157](#) [68645-018](#) [68648-049](#) [70.362.1628.0](#) [70-4210](#) [70-4226B](#) [70-](#)
[4853B](#) [707-5020](#) [707-5028](#) [71.350.2428.0](#) [71918-208LF](#) [71961-016LF](#) [733-134](#) [733-162](#) [754199-000](#) [760-3052](#) [787-8014-00](#) [79531-3000](#)
[FCN-360C032-B](#) [FCN-367T-T012/H](#) [FCN-723D010/2](#) [80.063.4001.1](#) [800-90-001-10-001000](#) [800-90-010-10-002000](#) [801-43-002-10-013000](#)