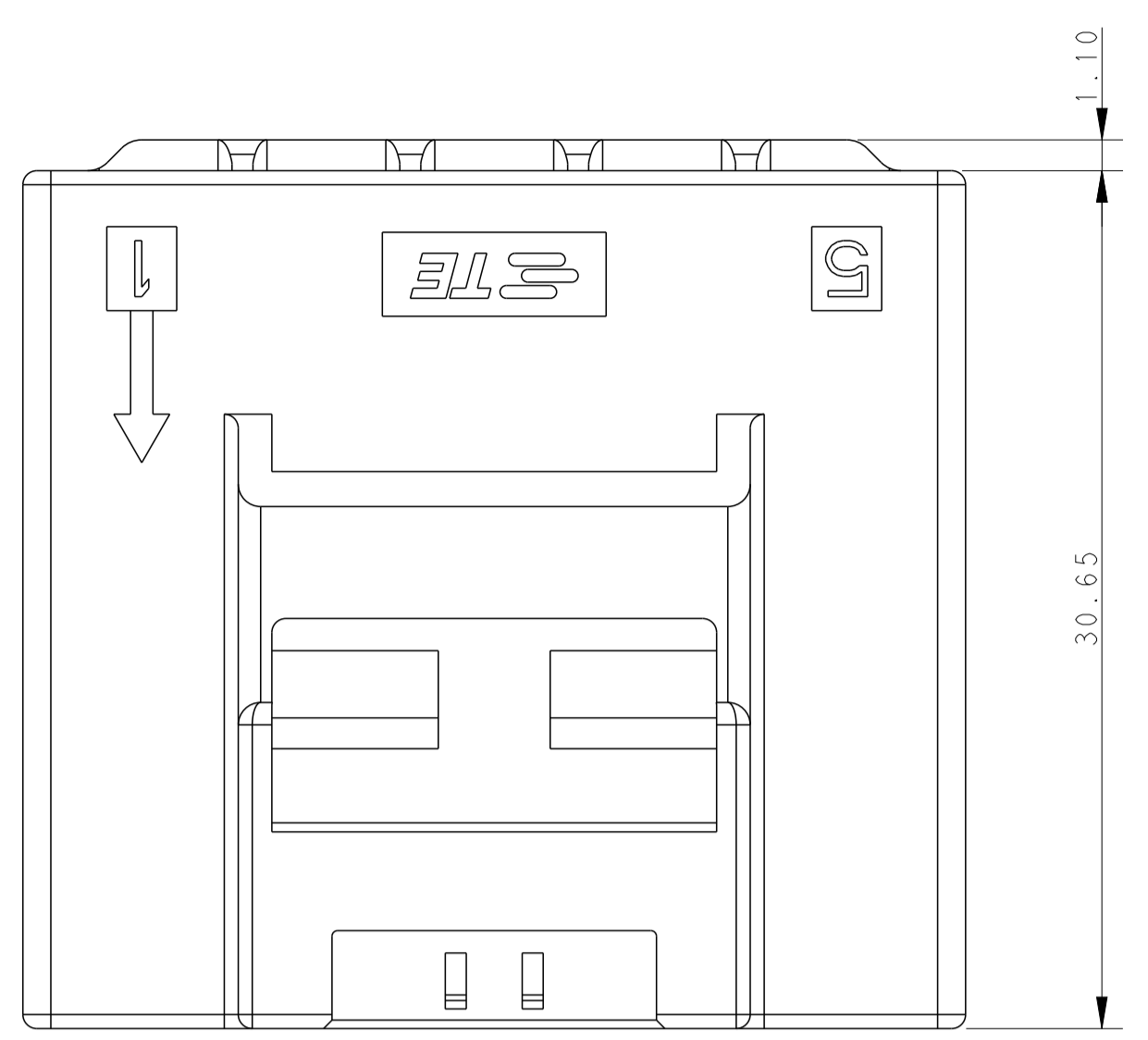
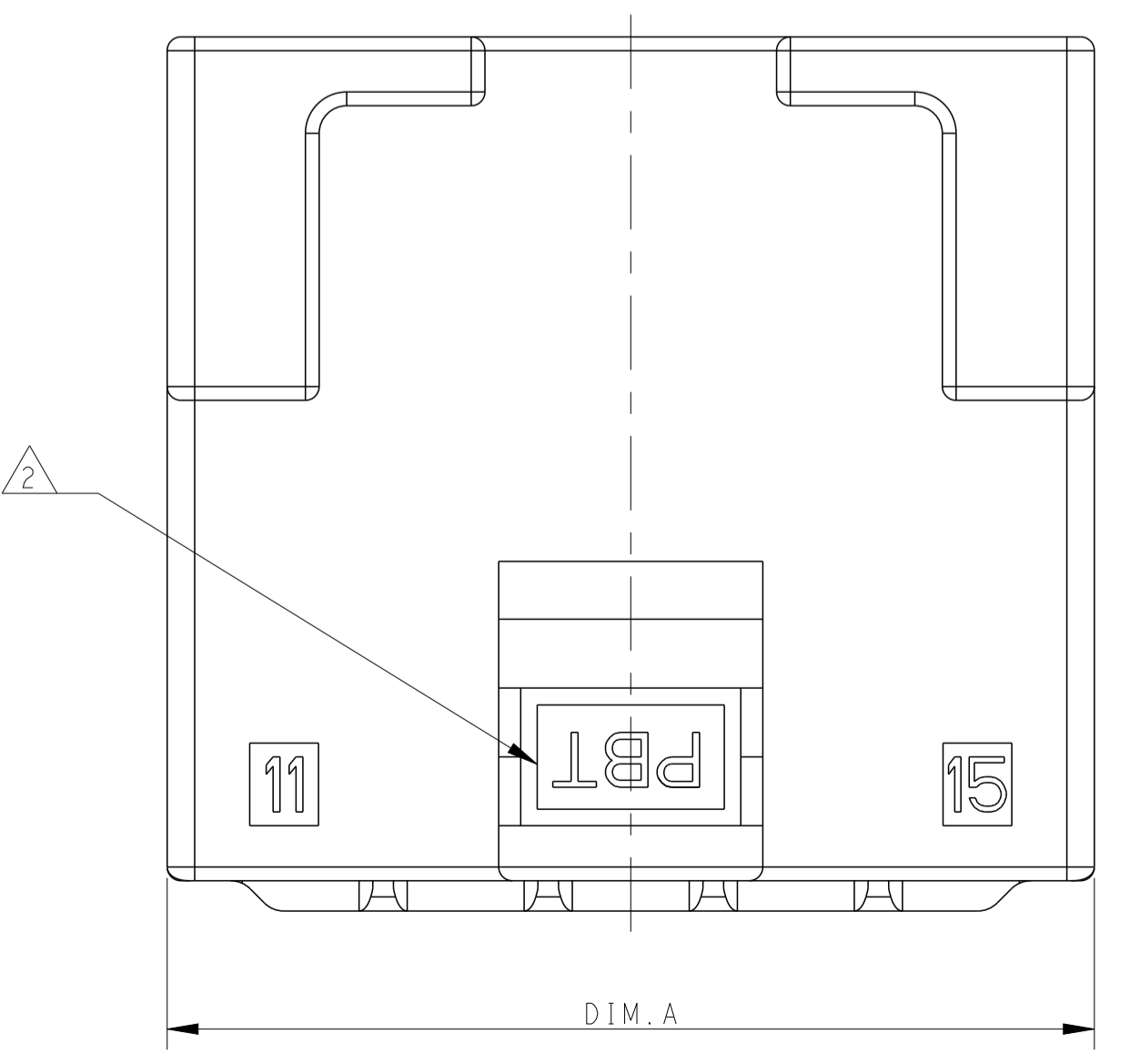
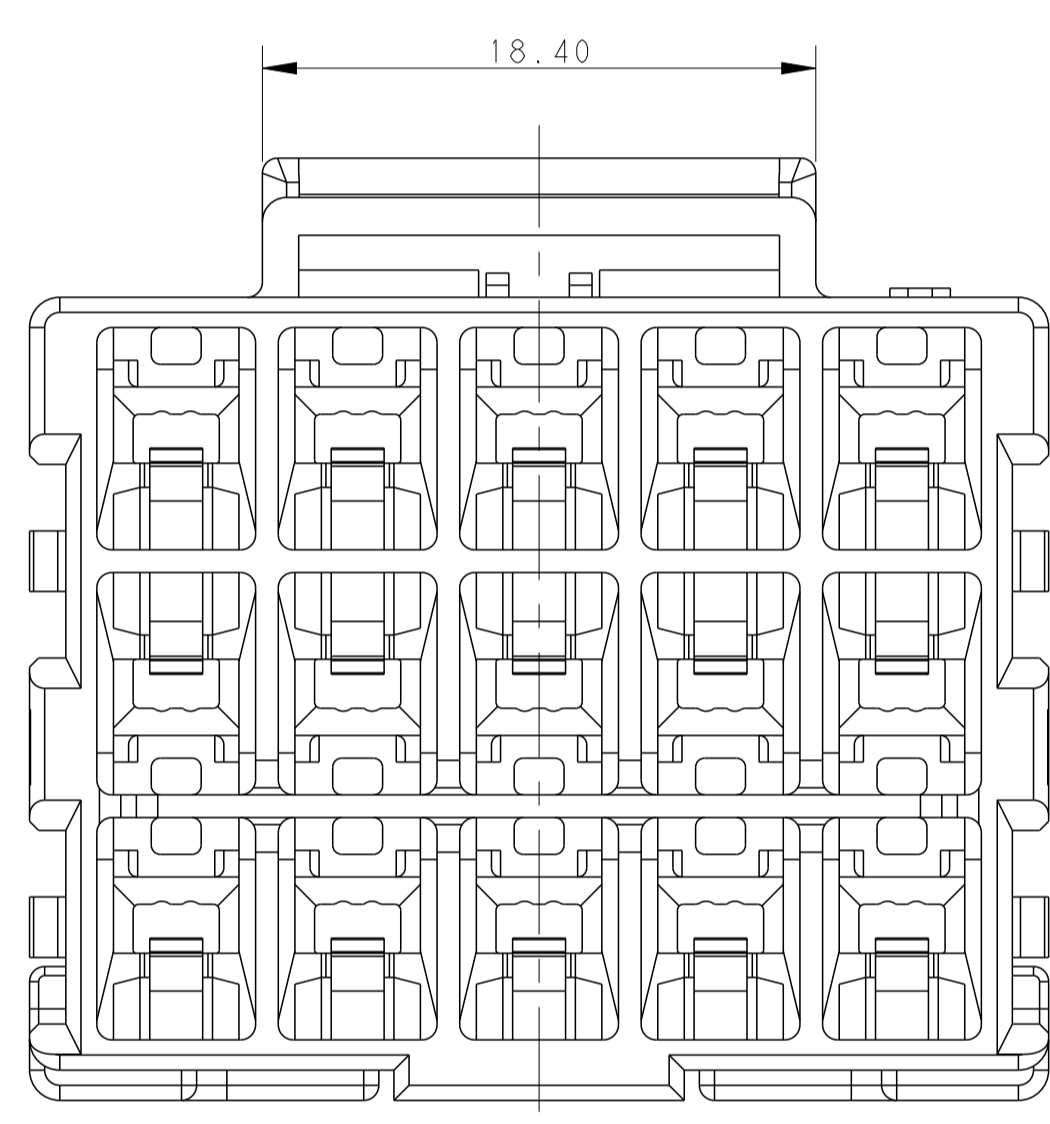
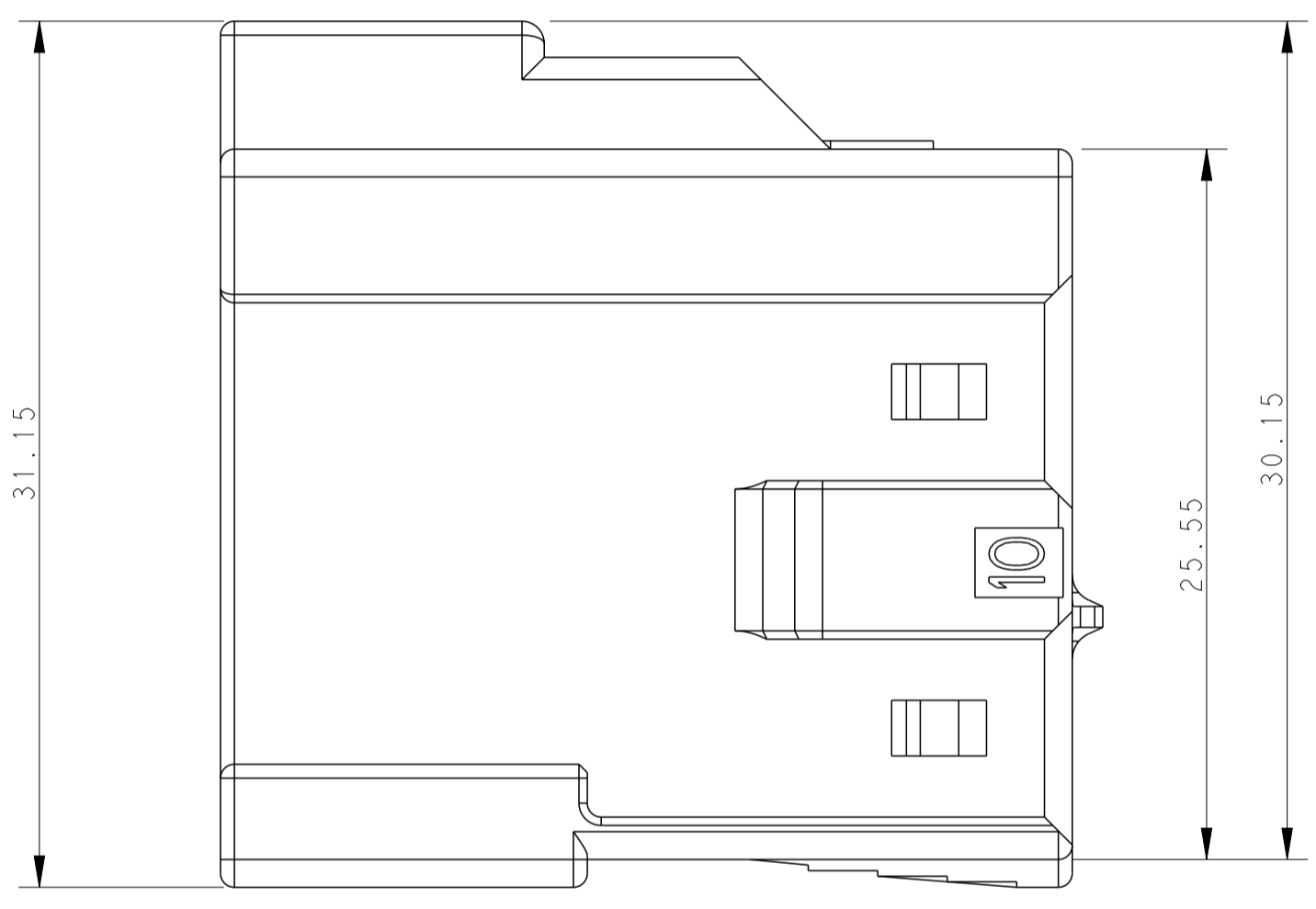
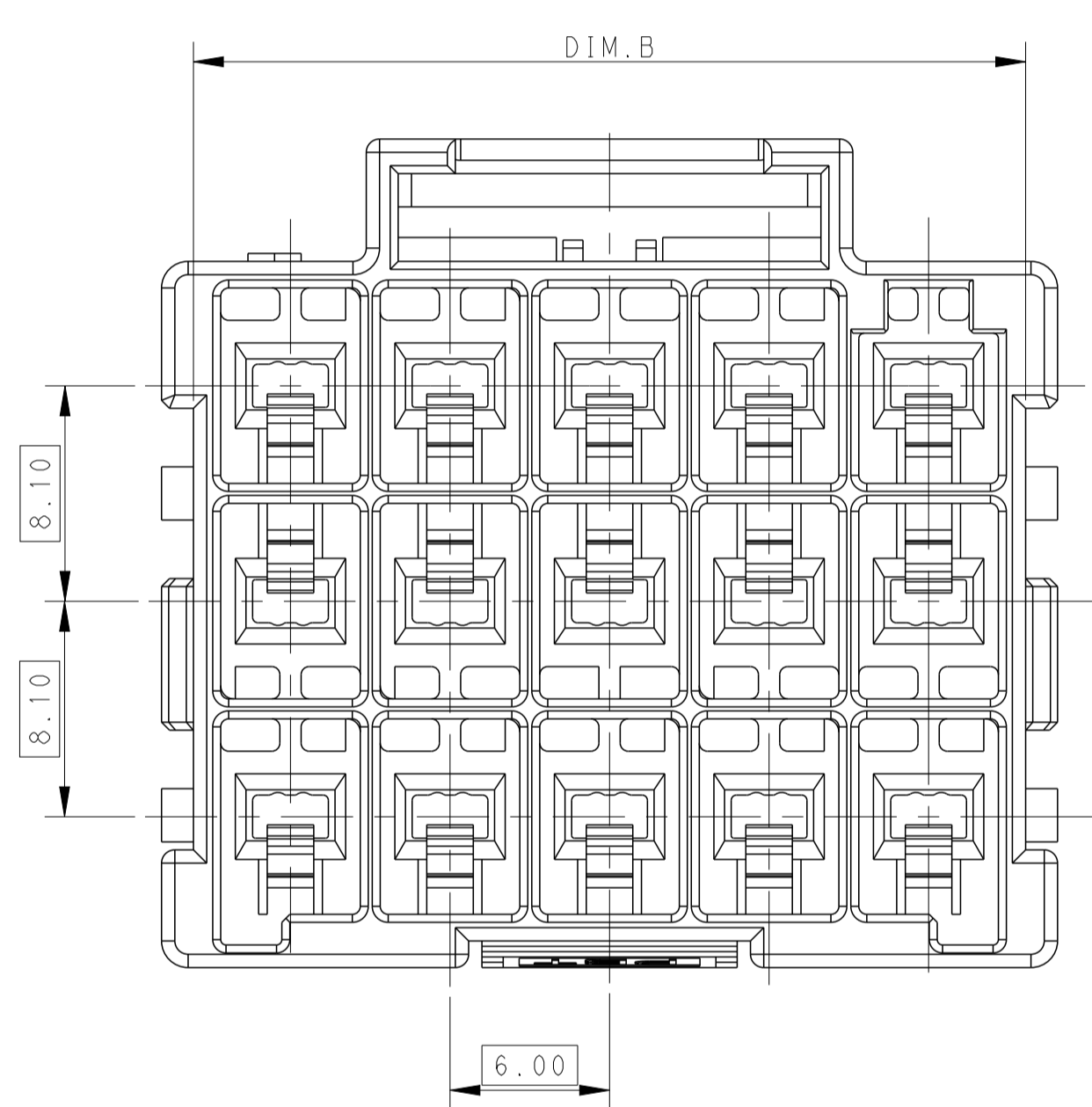


| REVISIONS | | | | |
|-----------|-----|---------------------------|-----------|-------|
| P | LTN | DESCRIPTION | DATE | APVD |
| C | | REVISED PER ECR-16-003314 | 15JUL2016 | BW GJ |
| | | | | |
| | | | | |



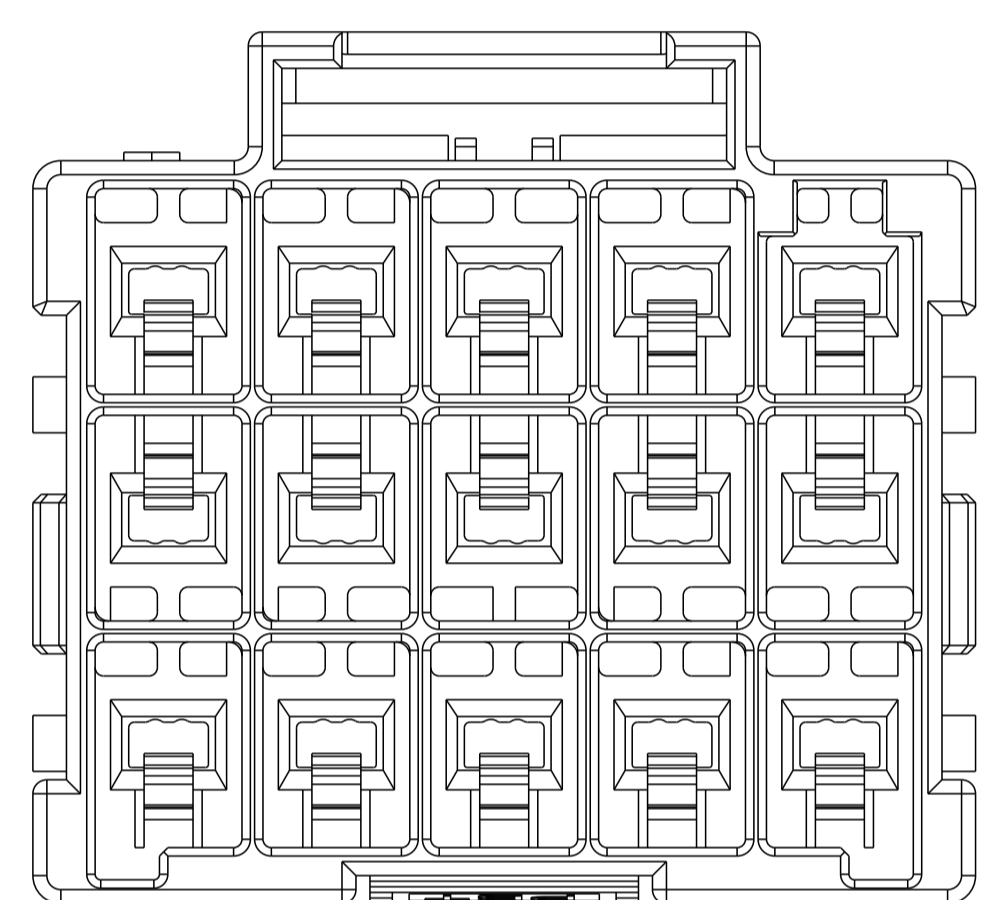
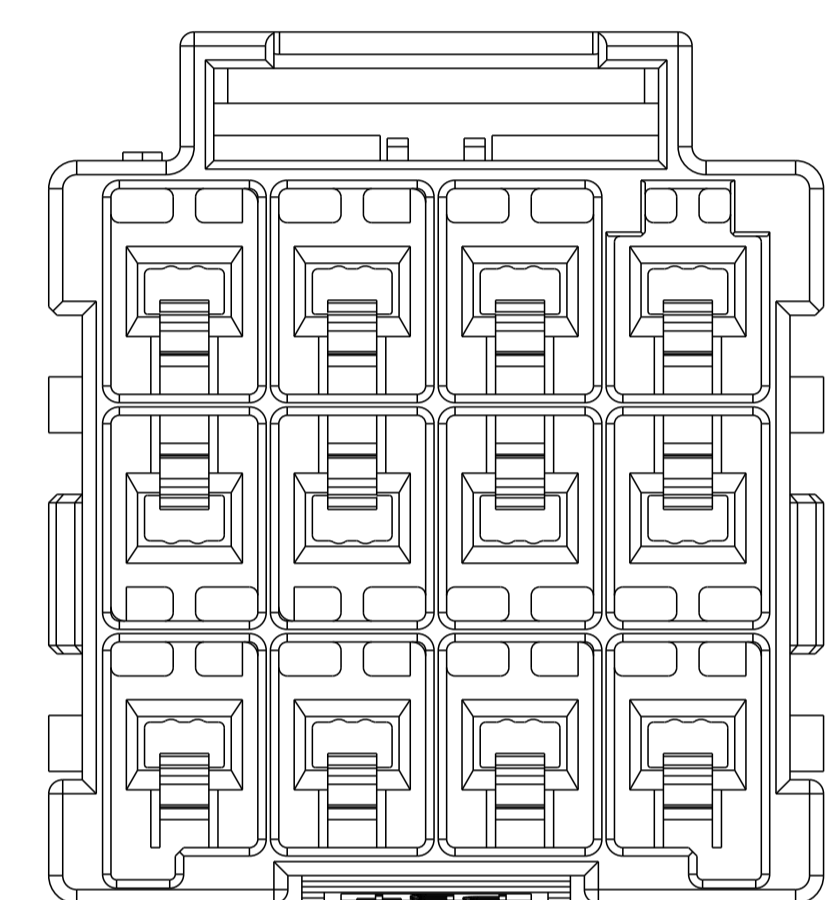
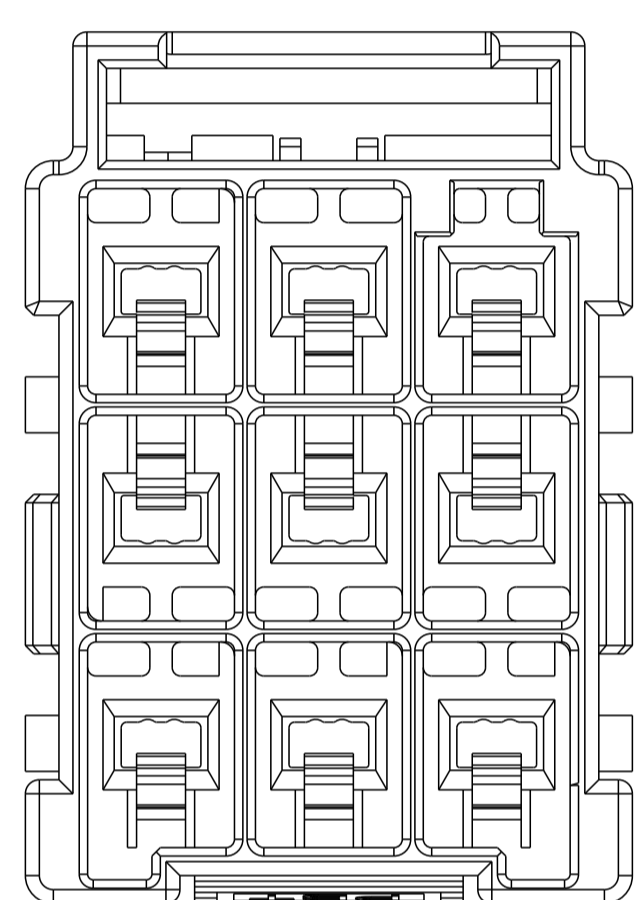
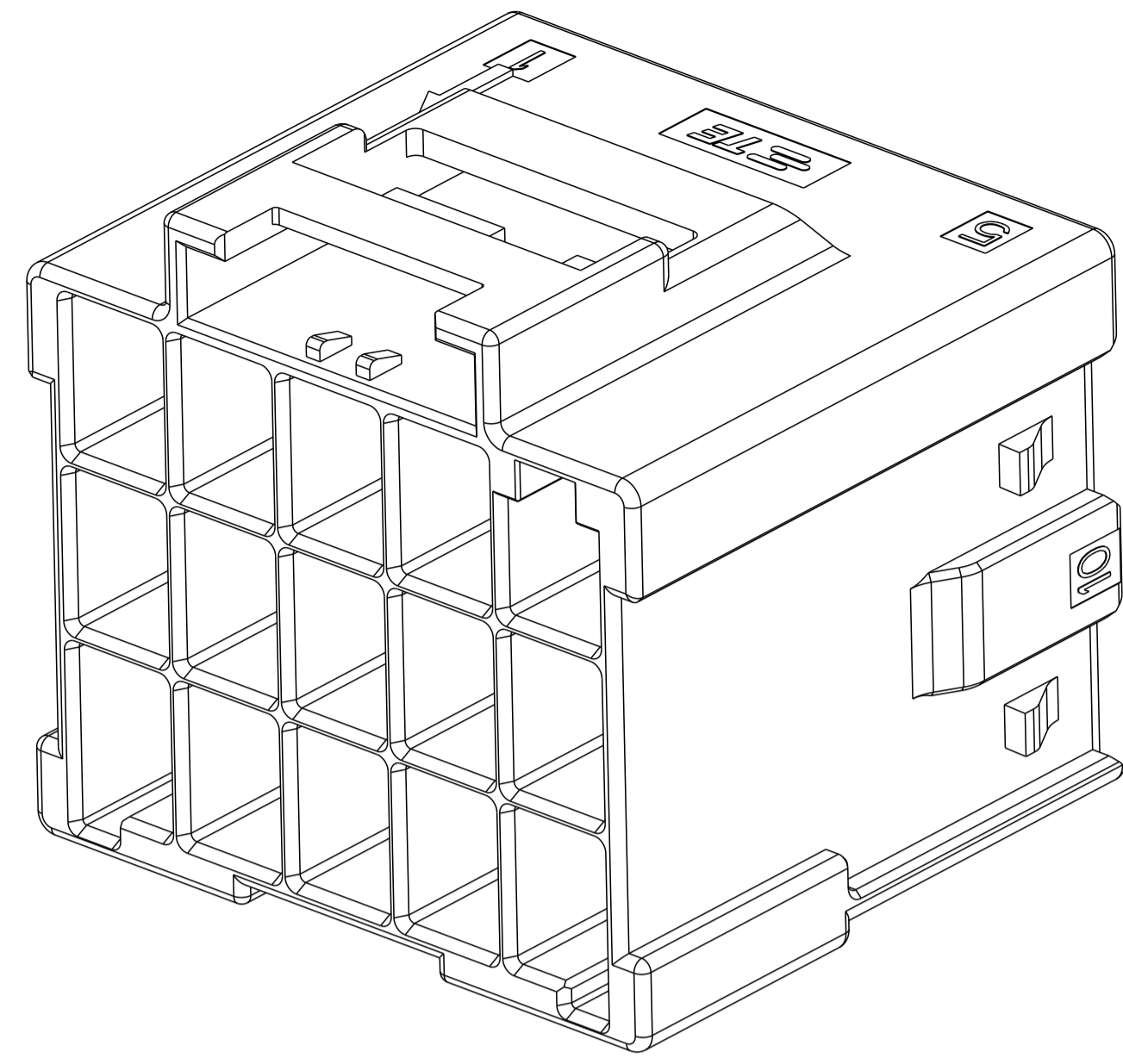
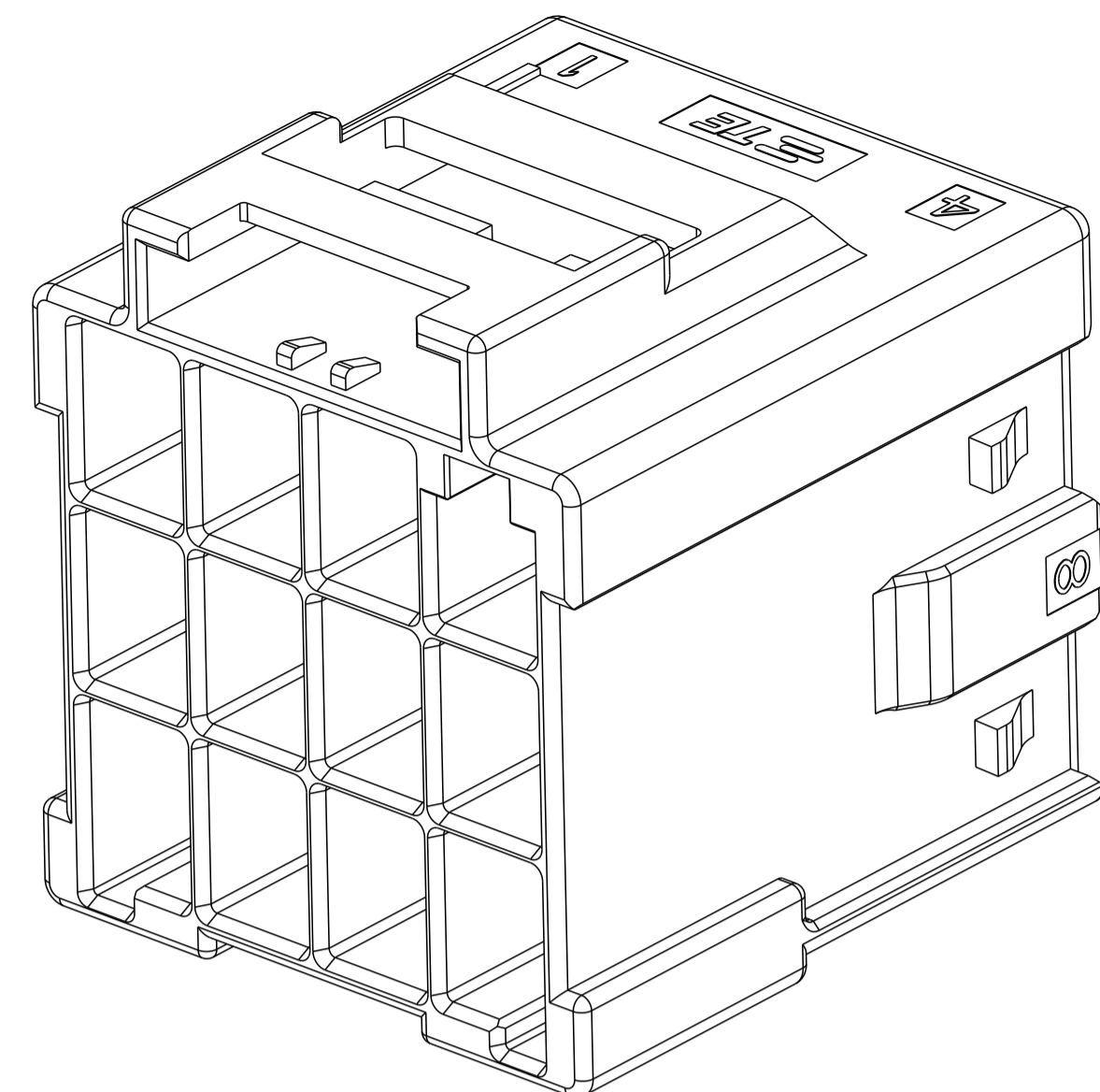
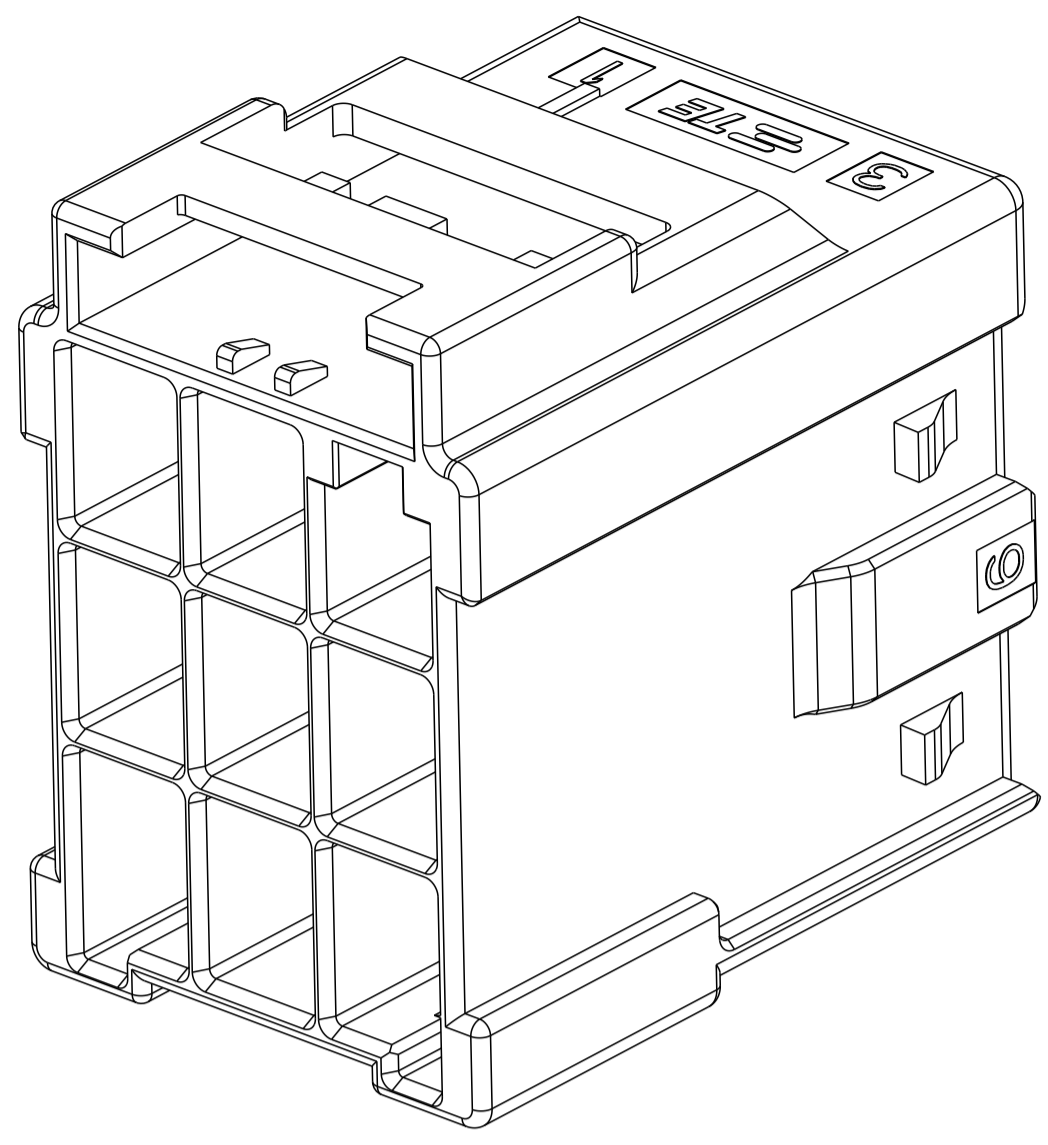
- 1 MATERIAL:
 LEVEL 1:PBT, STANDARD TEMPERATURE 105°C
 KEY A:NATURAL; KEY B:PURPLE; KEY C:BLUE; KEY D:YELLOW
 LEVEL 2:NYLON, HIGH TEMPERATURE 150°C
 KEY A:LIGHT GREY; KEY B:RED; KEY C:BLACK; KEY D:NATURAL
- 2 MATERIAL MARK:
 LEVEL 1:PBT, LEVEL 2:HDT
- 3 APPLICABLE CONTACT P/N
 TAB CONTACT:1971238/1971780/82/84/86/88-*,2238067-*
- 4 MATING CONN, P/N
 PLUG HSG:*-1971876-
 TPA DOUBLE ROW TPA:*-1971778-*;SINGLE ROW TPA:*-1971777-*
- 5 THIS PRODUCT HAS NOT COMPLETED VALIDATION TESTING



| POS. | DIM.A | DIM.B |
|------|-------|-------|
| 3*5 | 33.70 | 31.30 |
| 3*4 | 27.70 | 25.30 |
| 3*3 | 21.70 | 19.30 |

| | | | |
|--|-------|---------------------------|---|
| THIS DRAWING IS A CONTROLLED DOCUMENT. | | OWN TOMMY WU 09JUL2012 | TE Connectivity NAME CAP HOUSING, FREE HANGING, TRIPLE ROW POWER TRIPLE LOCK |
| DIMENSIONS: | | CHK HAPYE WU 09JUL2012 | |
| mm | | APVD YUHONG MAO 09JUL2012 | |
| TOLERANCES UNLESS OTHERWISE SPECIFIED: | | PRODUCT SPEC | |
| 0 PLC | ± | 108-106118 | APPLICATION SPEC |
| 1 PLC | ±0.35 | 114-106118 | SIZE CAGE CODE DRAWING NO |
| 2 PLC | ±0.25 | | A100779C=1971874 |
| 3 PLC | ± | | RESTRICTED TO |
| 4 PLC | ± | | |
| ANGLES | ± | | |
| FINISH | - | | |
| MATERIAL | - | WEIGHT | |
| | - | Customer Drawing | SCALE - SHEET 1 OF 2 REV C |

| REVISIONS | | | | |
|-----------|------|-------------|------|-------|
| P. | LTN. | DESCRIPTION | DATE | APVD. |
| - | - | SEE SHEET 1 | - | - |
| | | | | |
| | | | | |

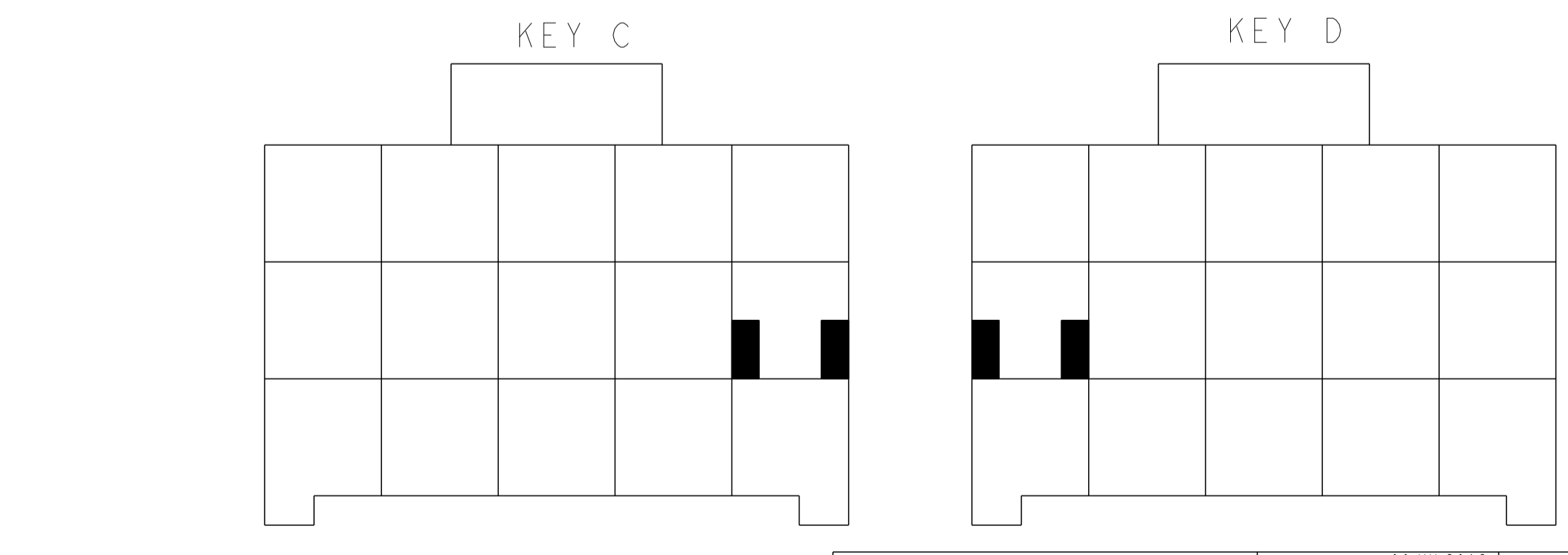
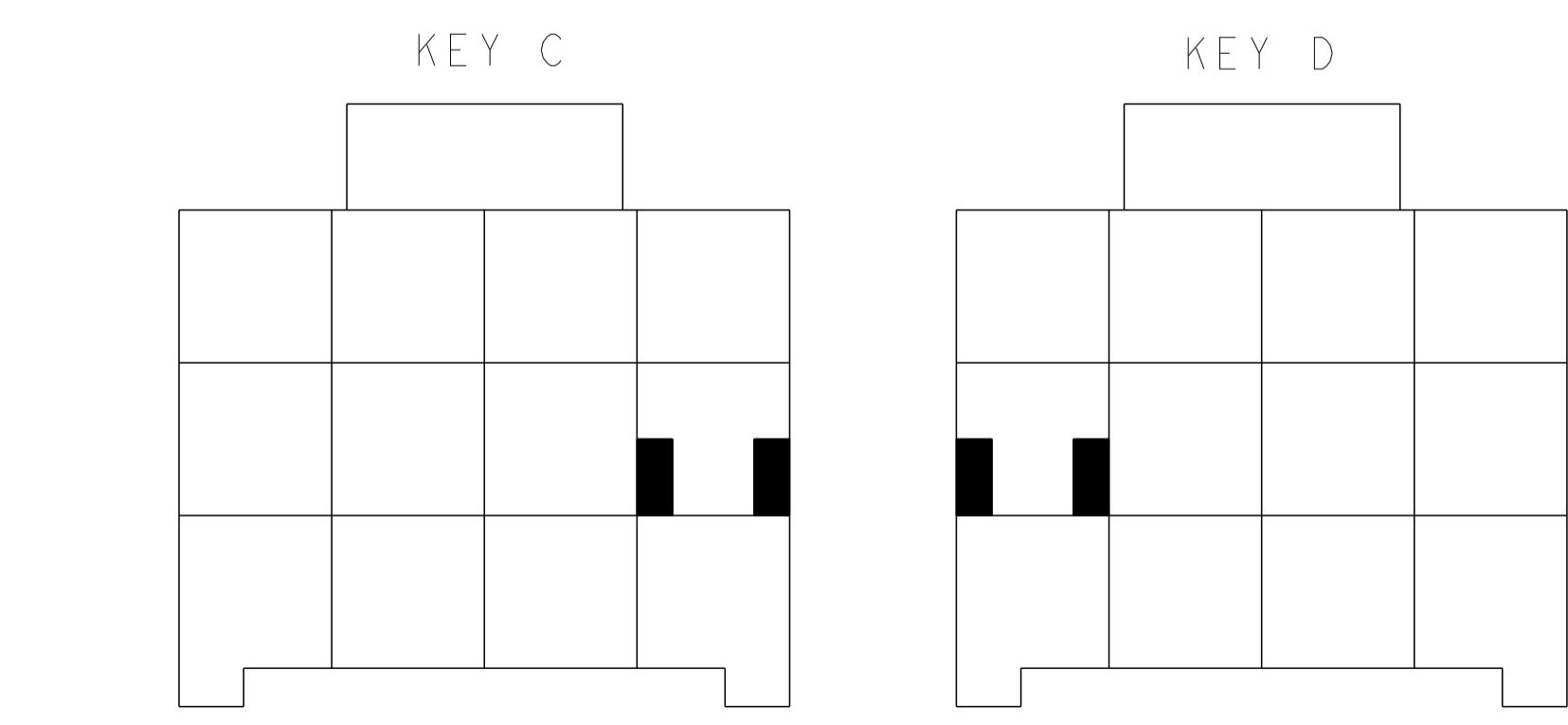
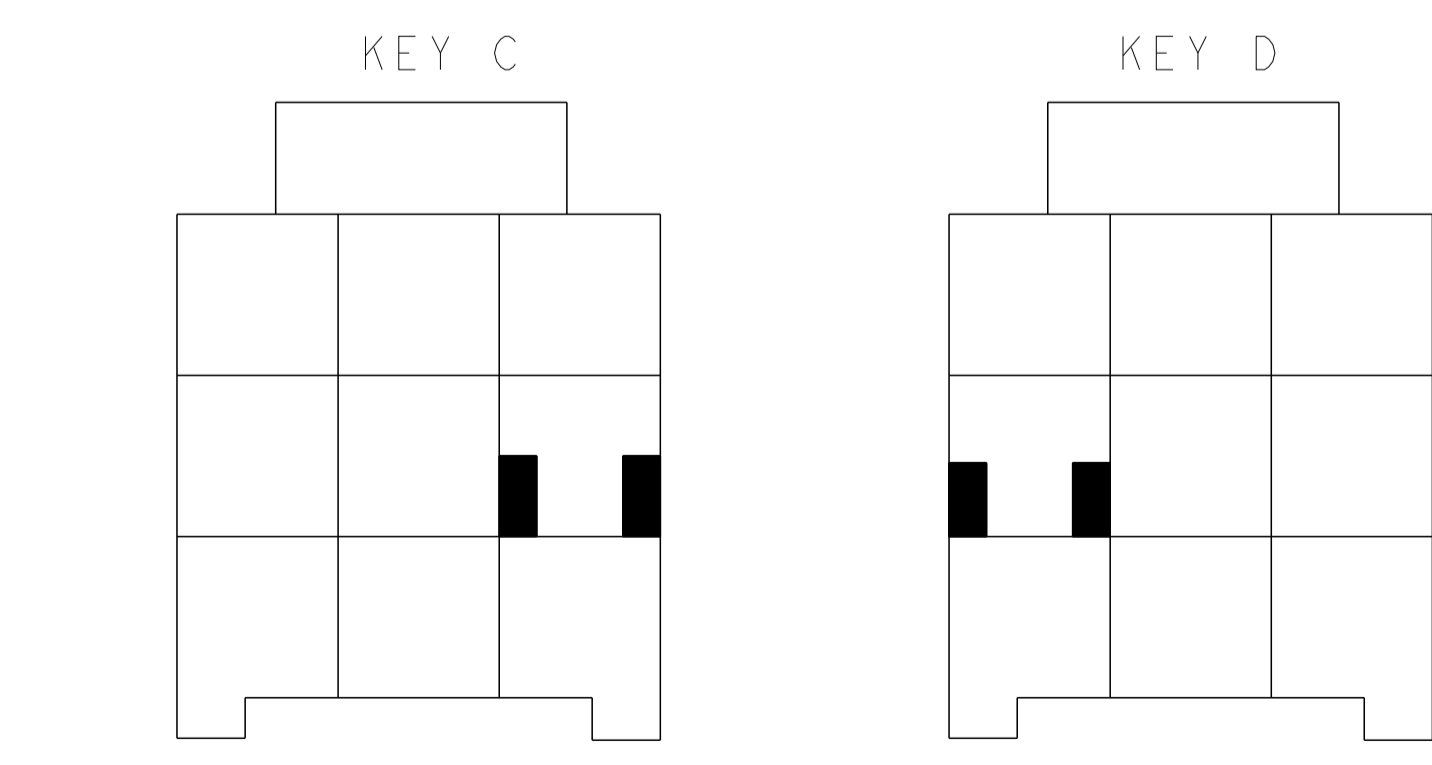
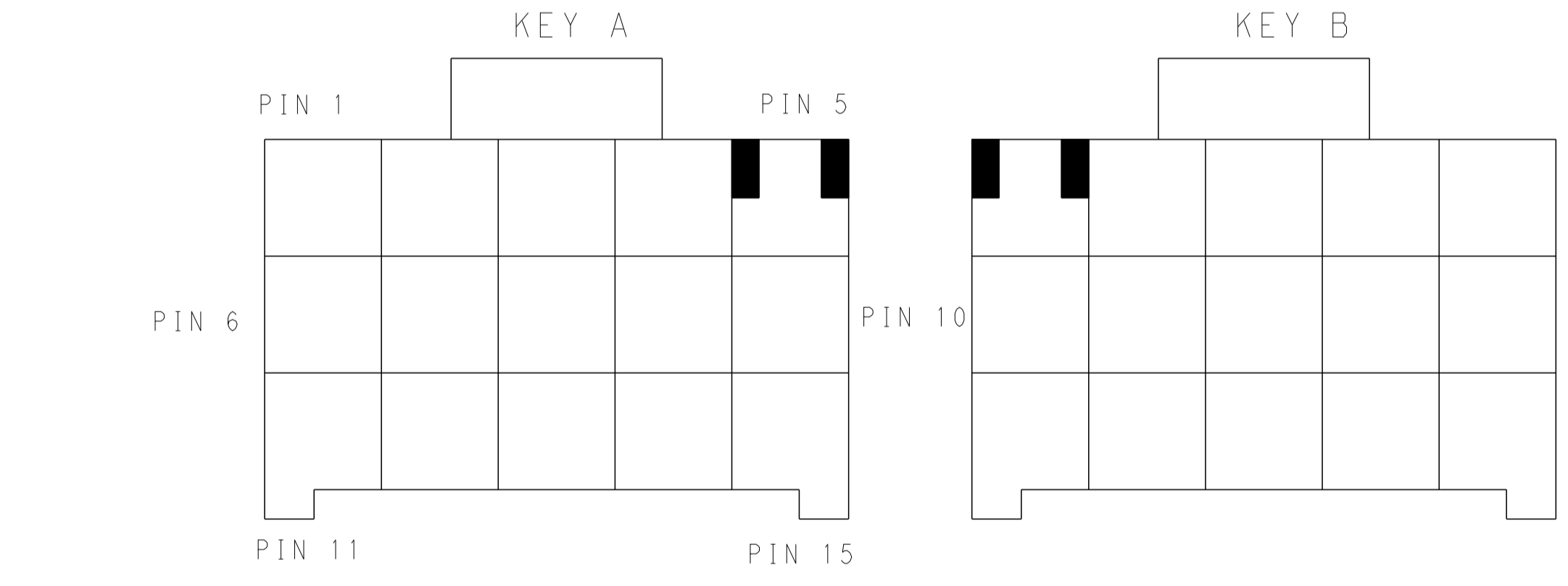
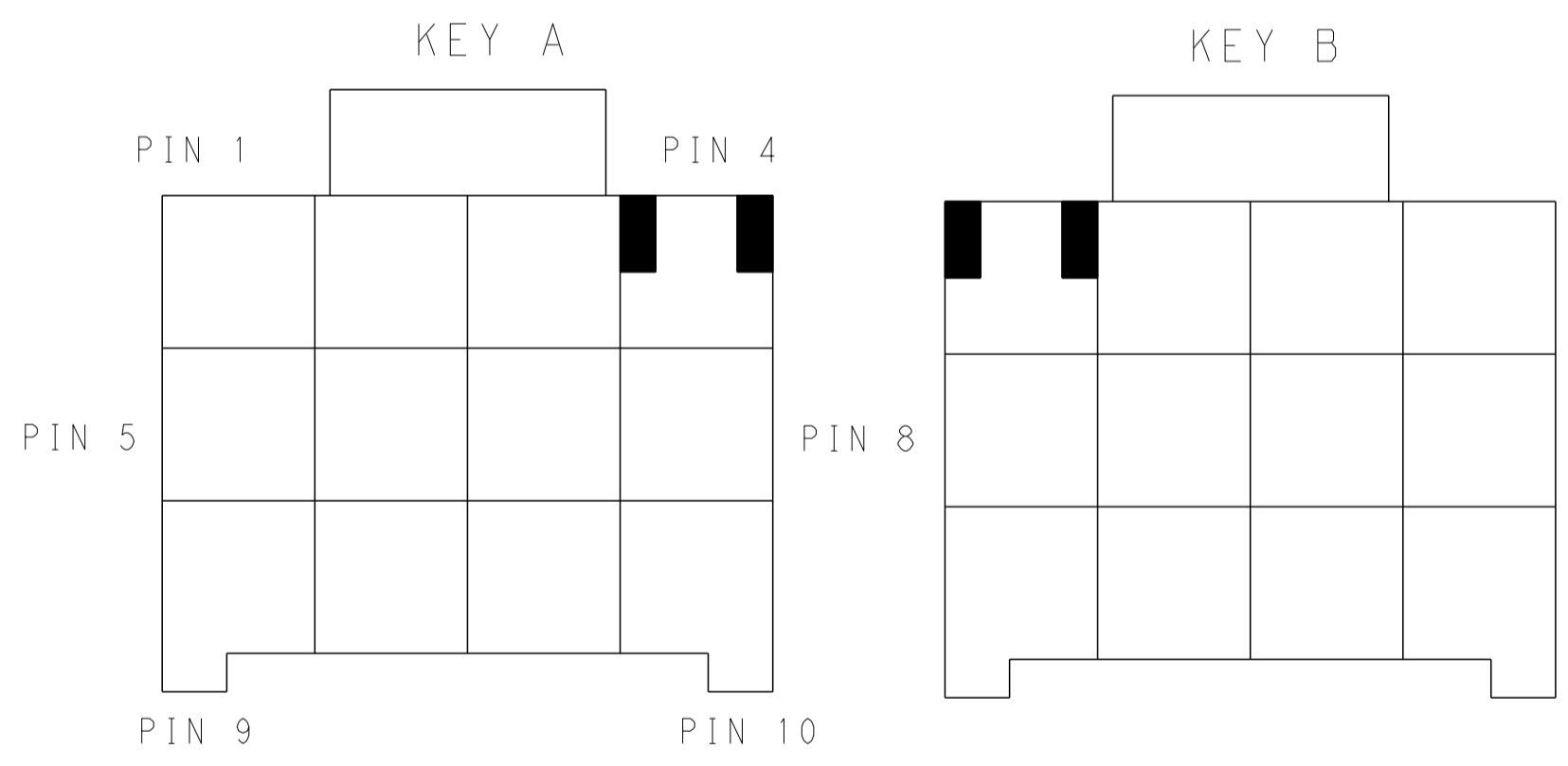
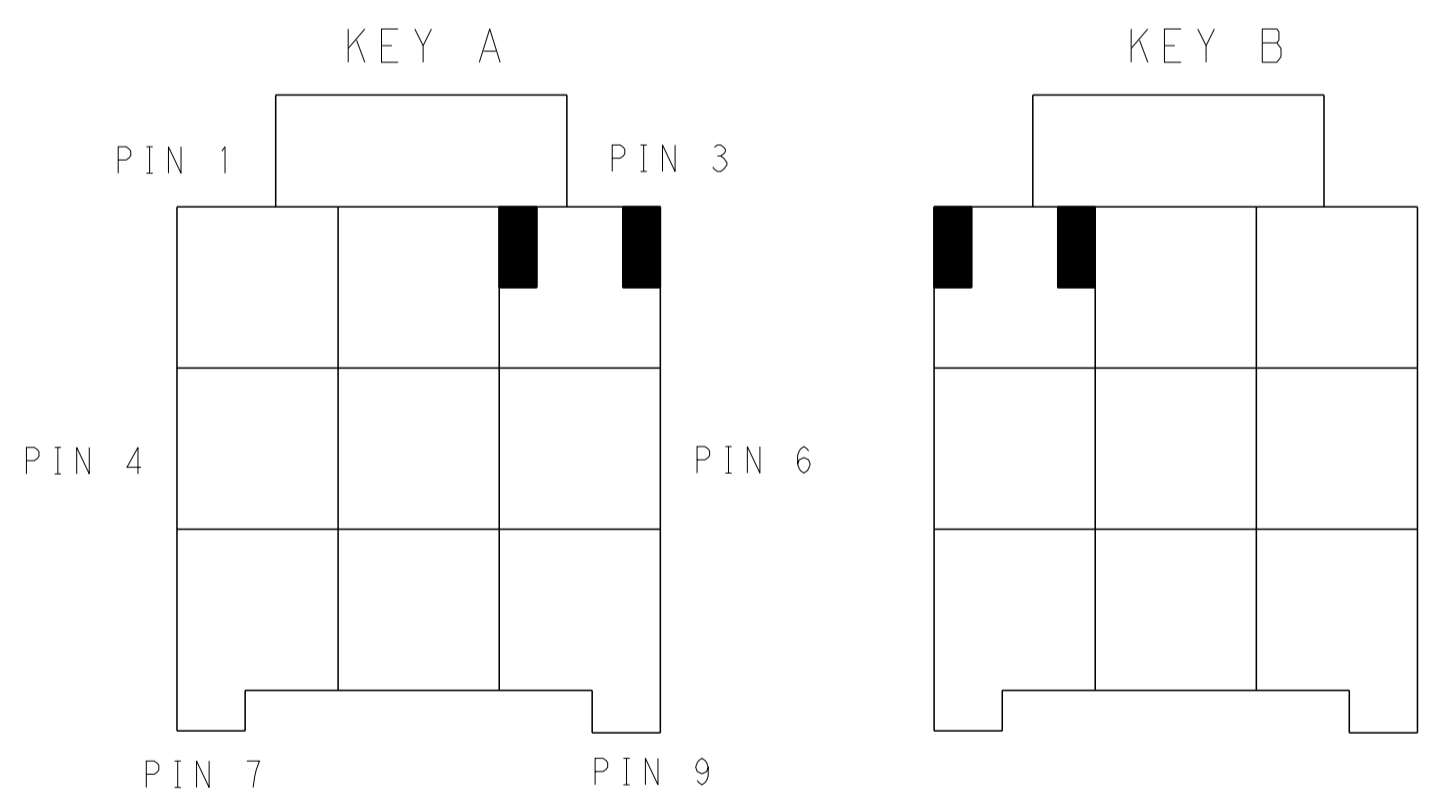


3*3 POSITIONS

3*4 POSITIONS

3*5 POSITIONS

| | | | |
|------|----------|-------|-------------|
| 3*5 | LEVEL 1 | KEY A | 1-1971874-7 |
| | | KEY B | 2-1971874-7 |
| | | KEY C | 3-1971874-7 |
| | | KEY D | 4-1971874-7 |
| 3*5 | LEVEL 2 | KEY A | 5-1971874-7 |
| | | KEY B | 6-1971874-7 |
| | | KEY C | 7-1971874-7 |
| | | KEY D | 8-1971874-7 |
| 3*4 | LEVEL 1 | KEY A | 1-1971874-4 |
| | | KEY B | 2-1971874-4 |
| | | KEY C | 3-1971874-4 |
| | | KEY D | 4-1971874-4 |
| 3*4 | LEVEL 2 | KEY A | 5-1971874-4 |
| | | KEY B | 6-1971874-4 |
| | | KEY C | 7-1971874-4 |
| | | KEY D | 8-1971874-4 |
| 3*3 | LEVEL 1 | KEY A | 1-1971874-3 |
| | | KEY B | 2-1971874-3 |
| | | KEY C | 3-1971874-3 |
| | | KEY D | 4-1971874-3 |
| 3*3 | LEVEL 2 | KEY A | 5-1971874-3 |
| | | KEY B | 6-1971874-3 |
| | | KEY C | 7-1971874-3 |
| | | KEY D | 8-1971874-3 |
| POS. | MATERIAL | KEY | P/N |



KEYING FOR 3*3 POS.

KEYING FOR 3*4 POS.

KEYING FOR 3*5 POS.

THIS DRAWING IS A CONTROLLED DOCUMENT.

| | | | | |
|------------------|---|---|------------------------------|----------------------------|
| DIMENSIONS: | TOLERANCES UNLESS OTHERWISE SPECIFIED: | OWN: TOMMY WU 09JUL2012 | CHK: HAPYE WU 09JUL2012 | APVD: YUHONG MAO 09JUL2012 |
| mm | 0 PLC ±0.35 1 PLC ±0.25 2 PLC ±0.25 3 PLC ±0.25 4 PLC ±0.25 ANGLES ±0.25 | NAME: CAP HOUSING, FREE HANGING, TRIPLE ROW POWER TRIPLE LOCK | SIZE: A1 | CAGE CODE: 100779 |
| MATERIAL: | FINISH: | PRODUCT SPEC: 108-106118 | APPLICATION SPEC: 114-106118 | WEIGHT: - |
| Customer Drawing | | SCALE: - | SHEET: 2 OF 2 | REV: C |

STE TE Connectivity

X-ON Electronics

Largest Supplier of Electrical and Electronic Components

Click to view similar products for [Headers & Wire Housings](#) category:

Click to view products by [TE Connectivity](#) manufacturer:

Other Similar products are found below :

[892-18-020-10-001101](#) [58102-G61-06LF](#) [582553-1](#) [0009485154](#) [009176003701906](#) [0050291907](#) [LY20-4P-DT1-P1E-BR](#) [02.125.8002.8](#)
[609-3404](#) [61062-3](#) [61082-181009](#) [622-3653LF](#) [63453-116](#) [636-1030](#) [636-1427](#) [636-3427](#) [636-4007](#) [641938-9](#) [641991-4](#) [644827-2](#) [65817-](#)
[010LF](#) [65817-015LF](#) [65863-015LF](#) [66207-023LF](#) [67095-007LF](#) [67601157](#) [68645-018](#) [68648-049](#) [70.362.1628.0](#) [70-4210](#) [70-4226B](#) [70-](#)
[4853B](#) [707-5020](#) [707-5028](#) [71.350.2428.0](#) [71918-208LF](#) [71961-016LF](#) [733-134](#) [733-162](#) [754199-000](#) [760-3052](#) [79531-3000](#) [FCN-](#)
[360C032-B](#) [FCN-367T-T012/H](#) [FCN-723D010/2](#) [80.063.4001.1](#) [800-90-010-10-002000](#) [801-43-002-10-013000](#) [801-43-006-10-002000](#)
[801-93-011-10-001000](#)