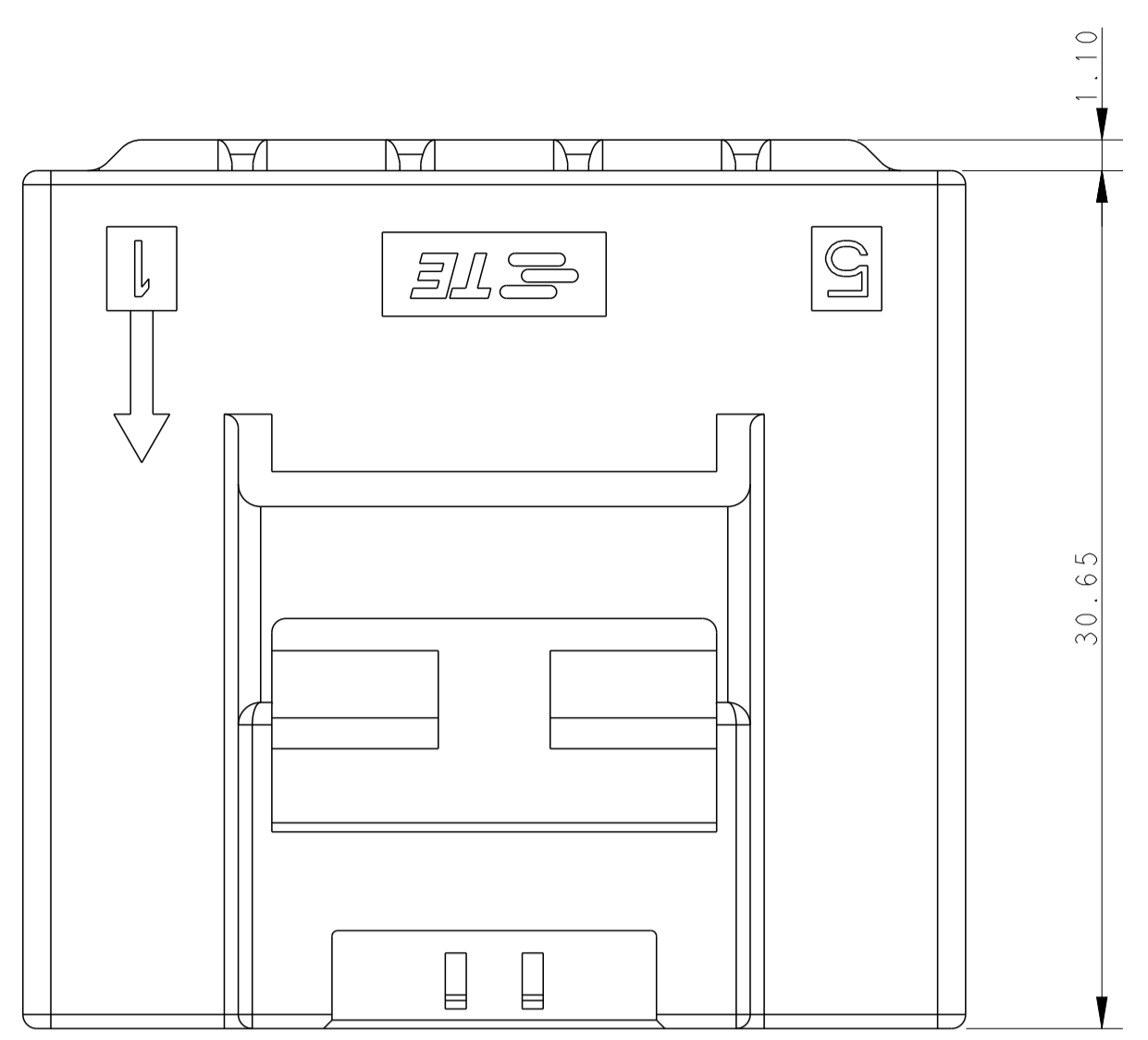
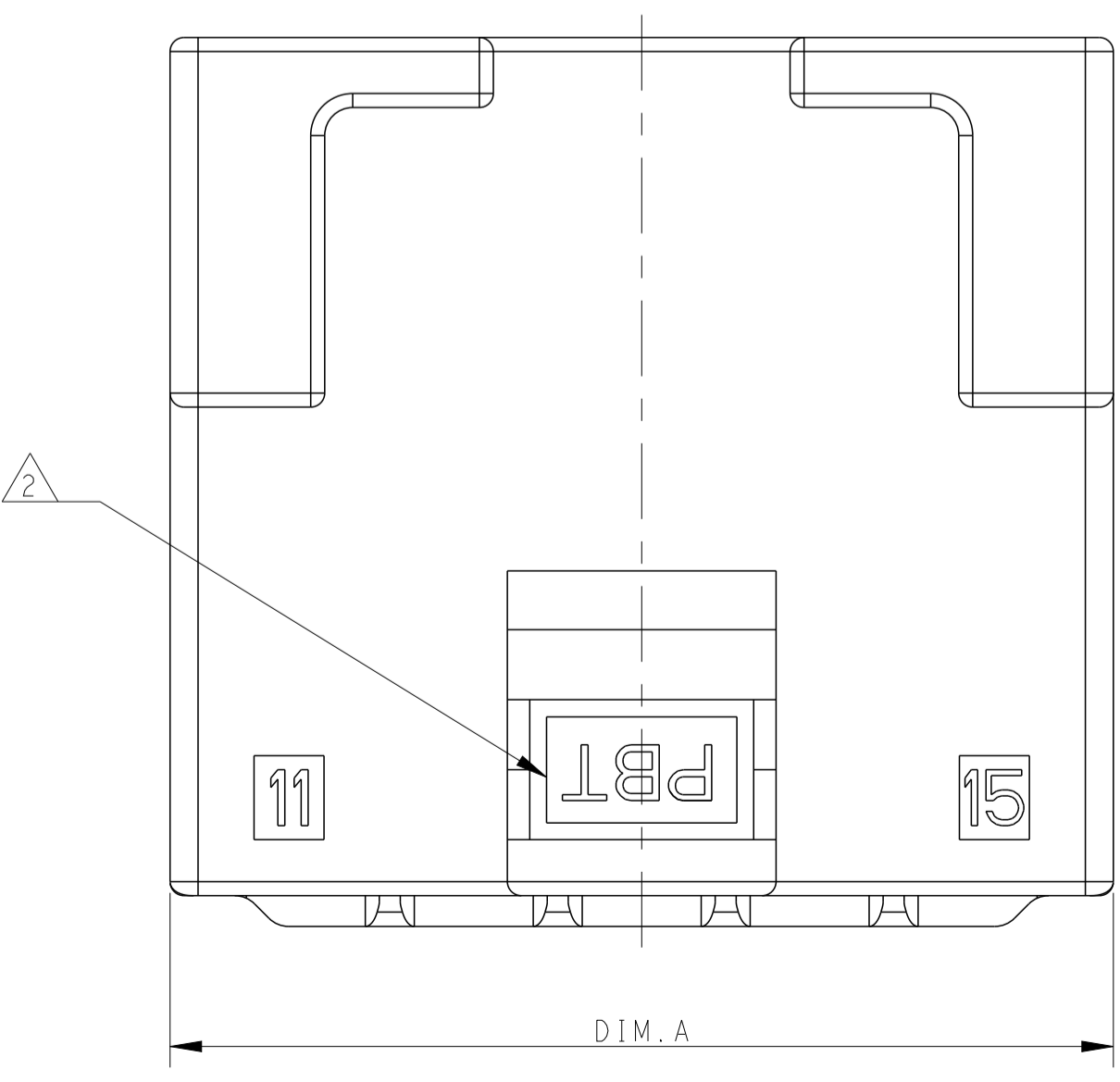
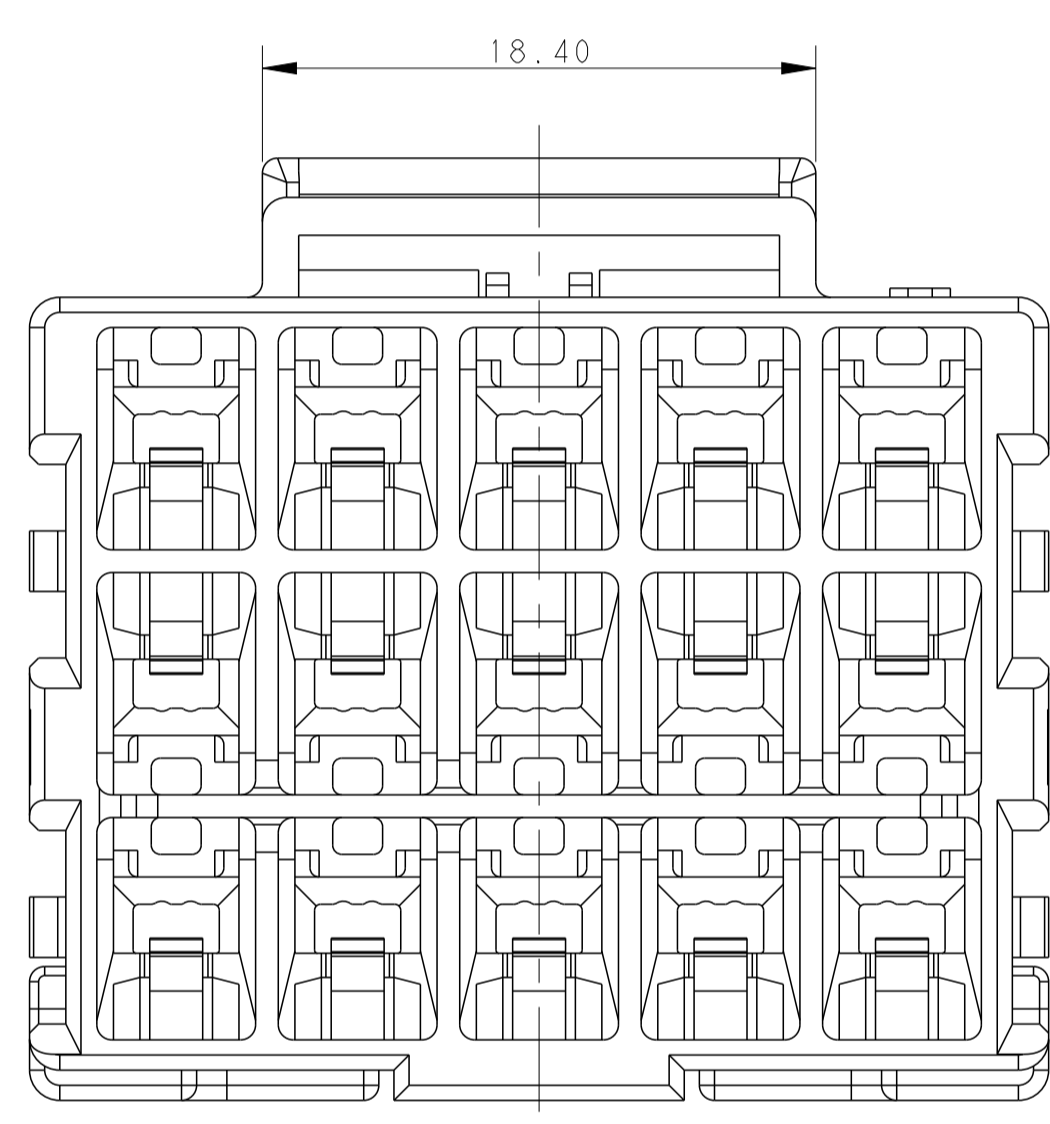
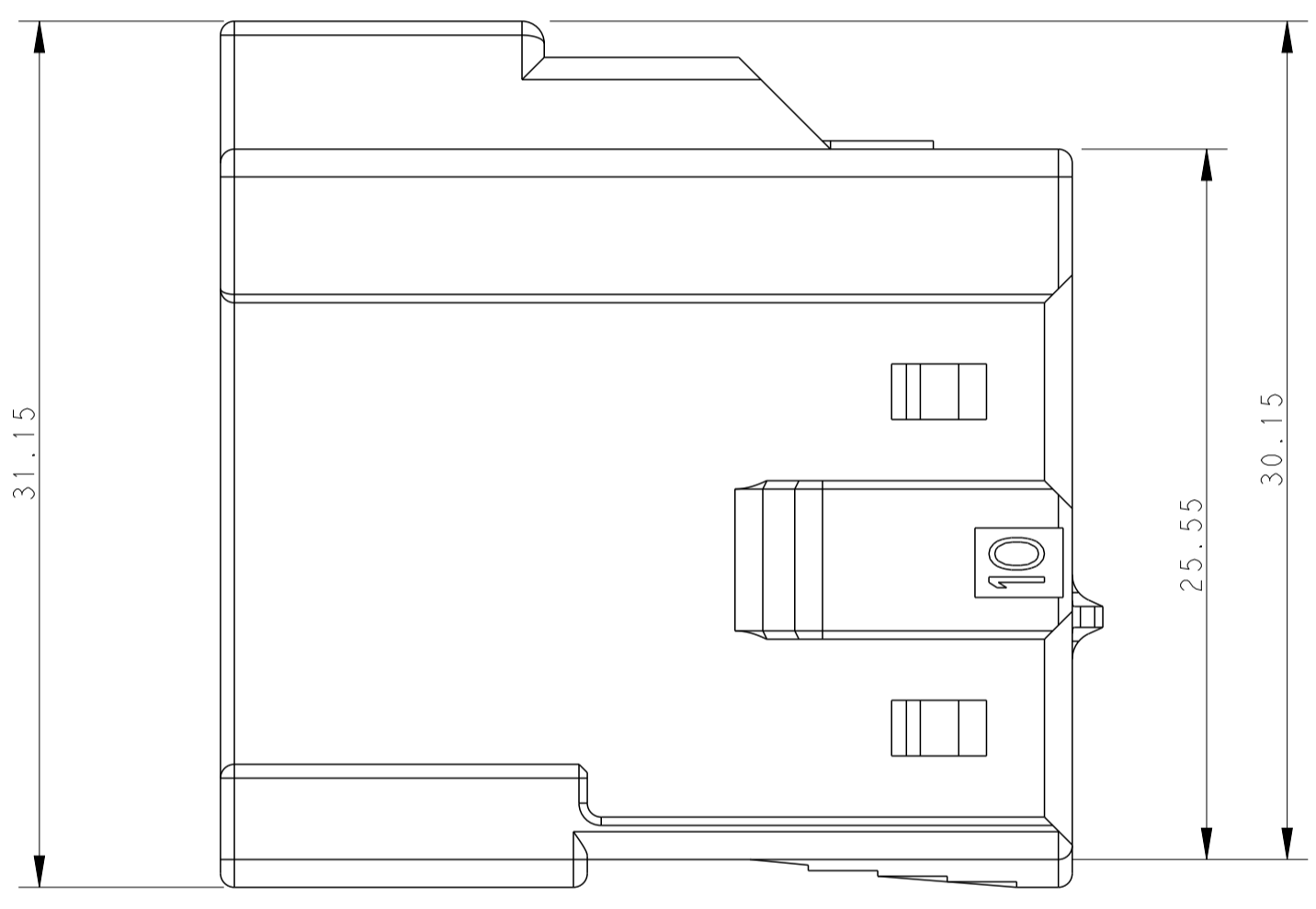
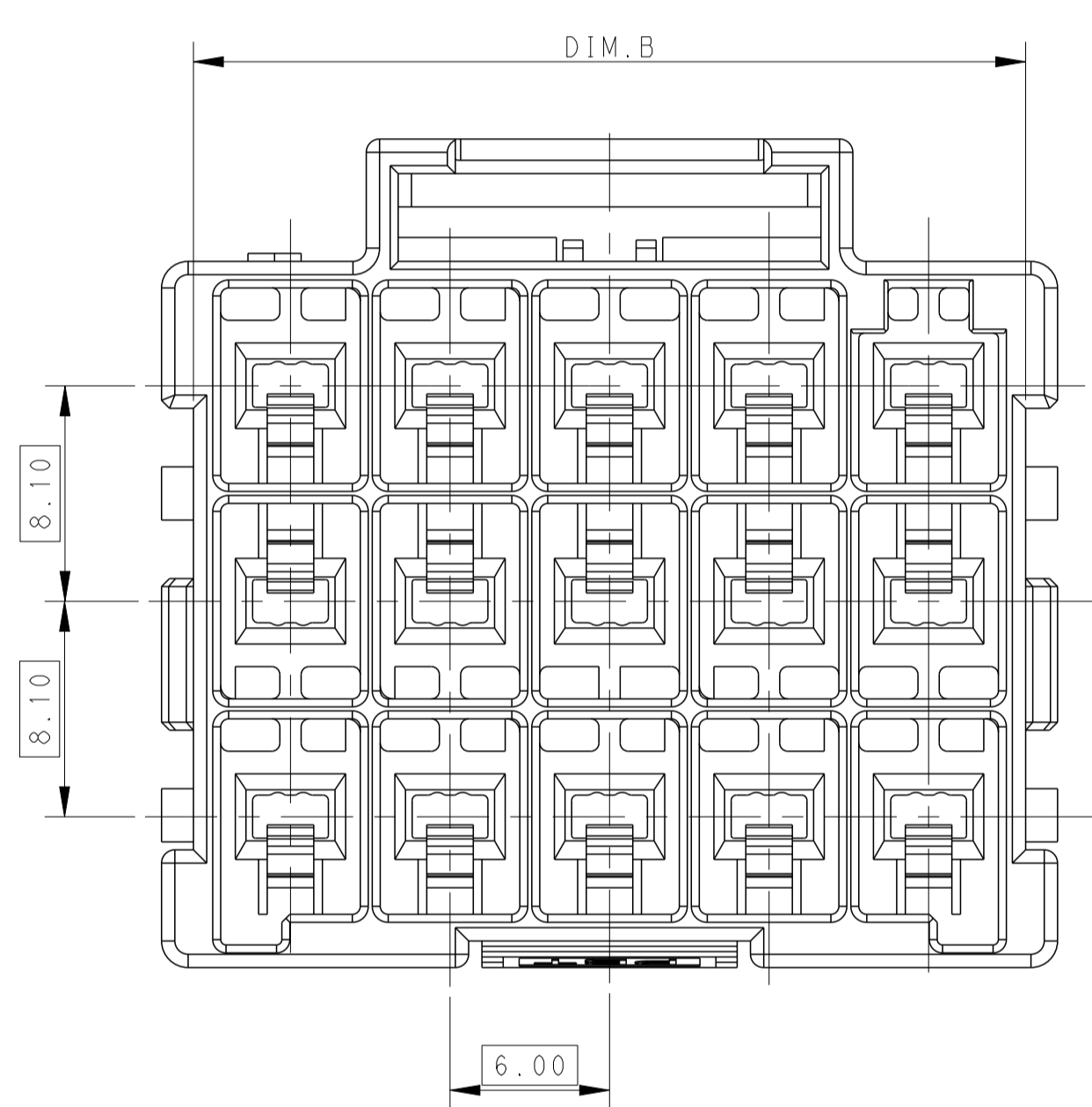


REVISIONS				
P	LTN	DESCRIPTION	DATE	APVD
C		REVISED PER ECR-16-003314	15JUL2016	BW GJ



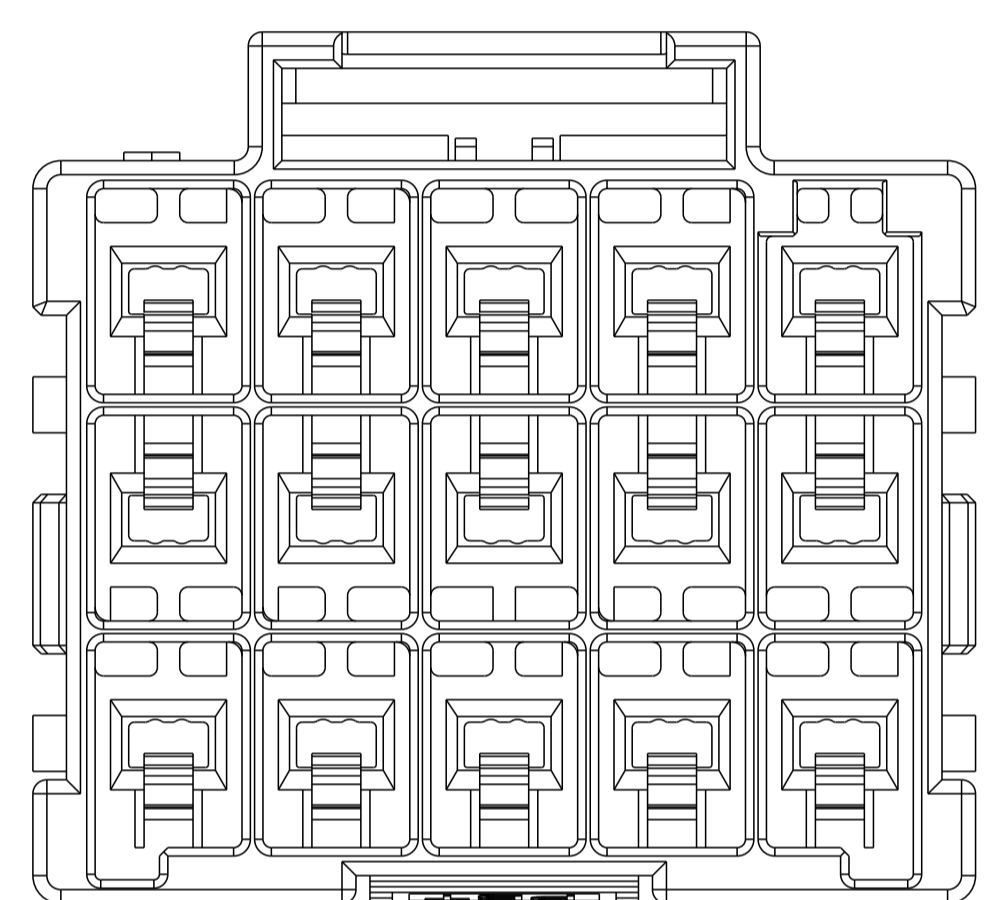
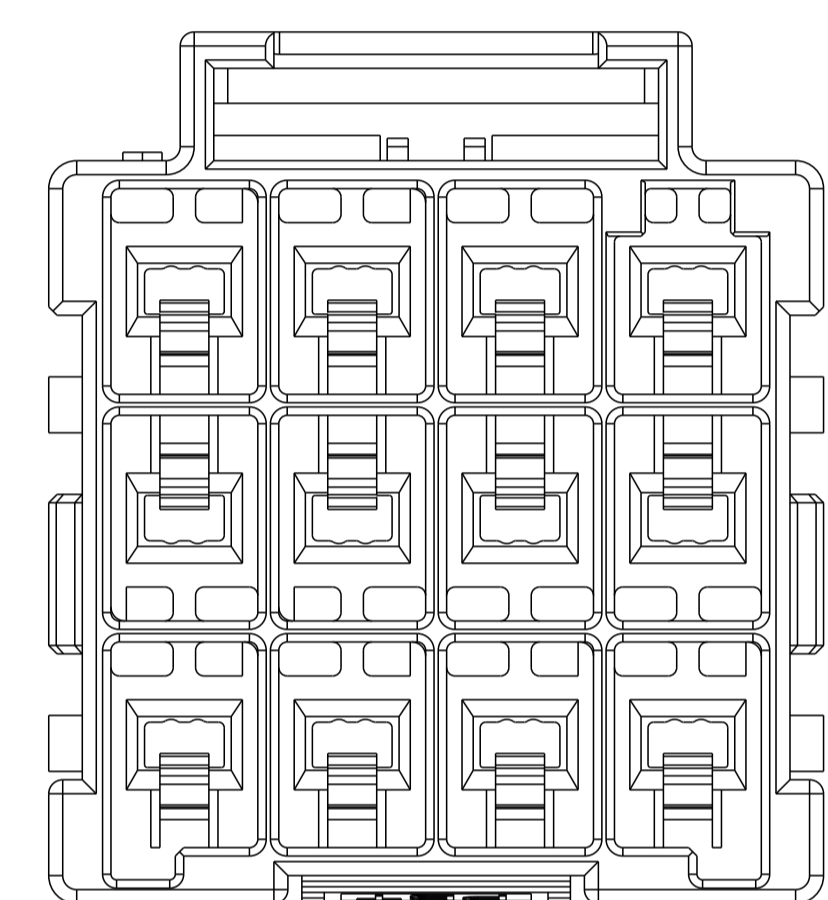
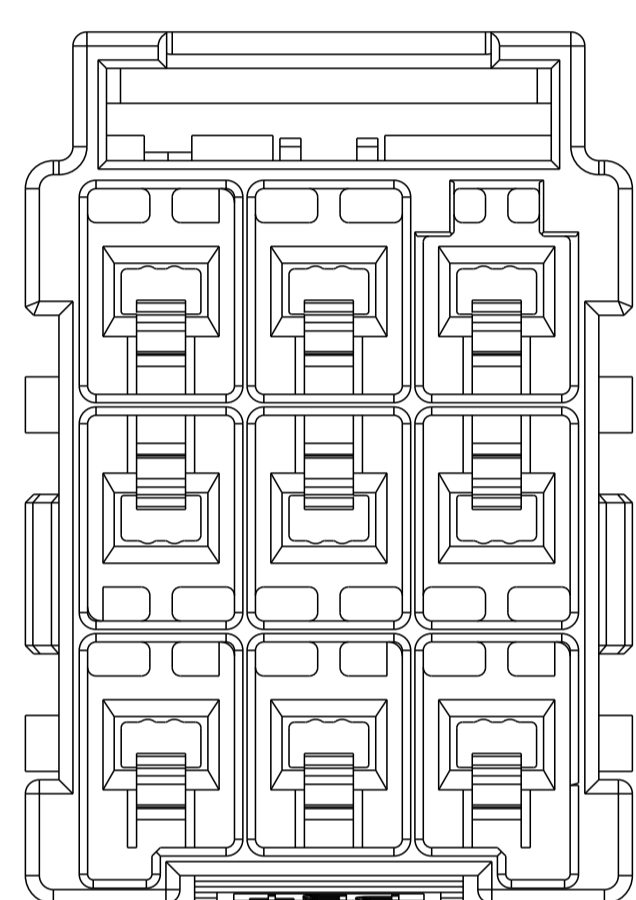
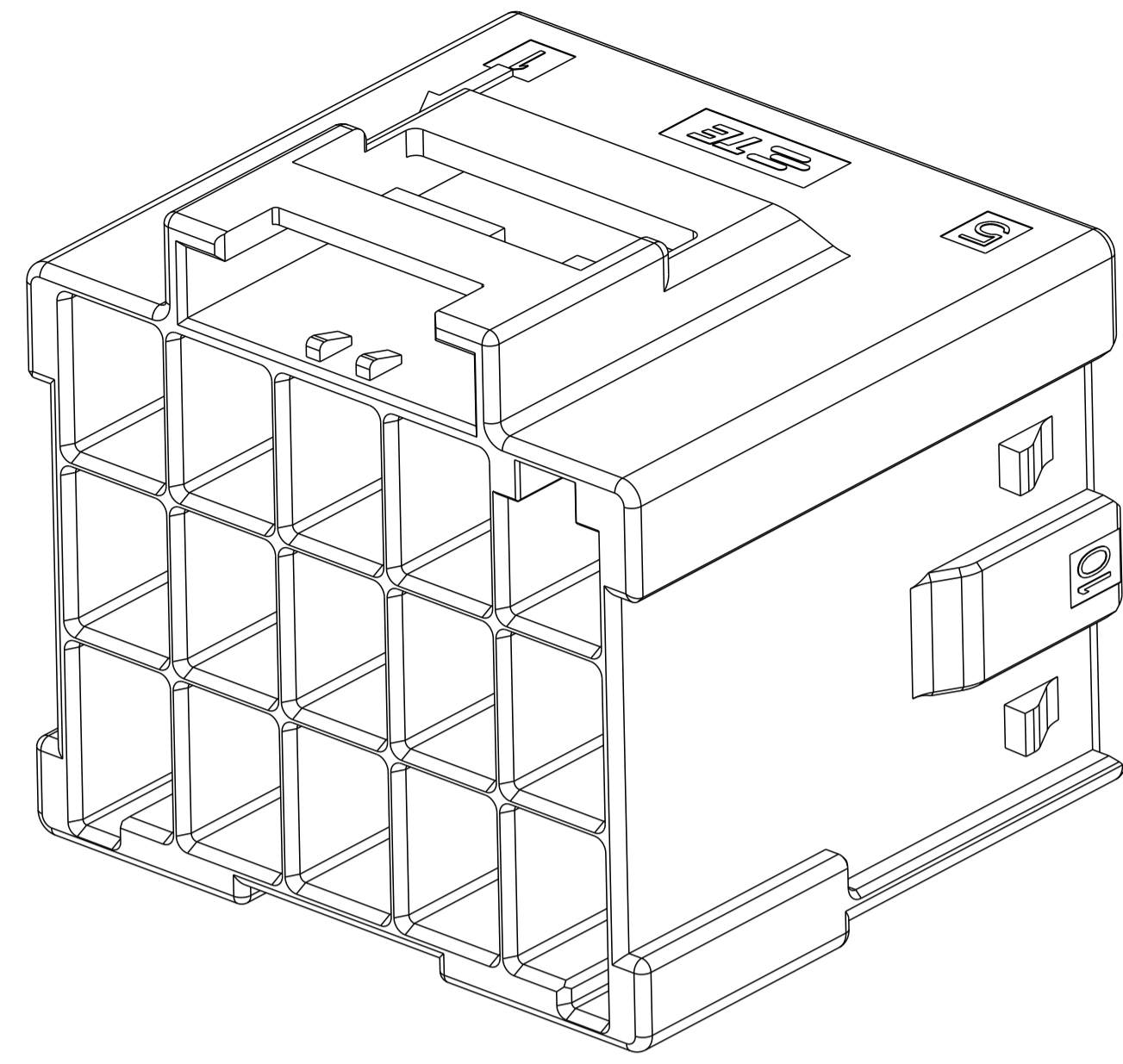
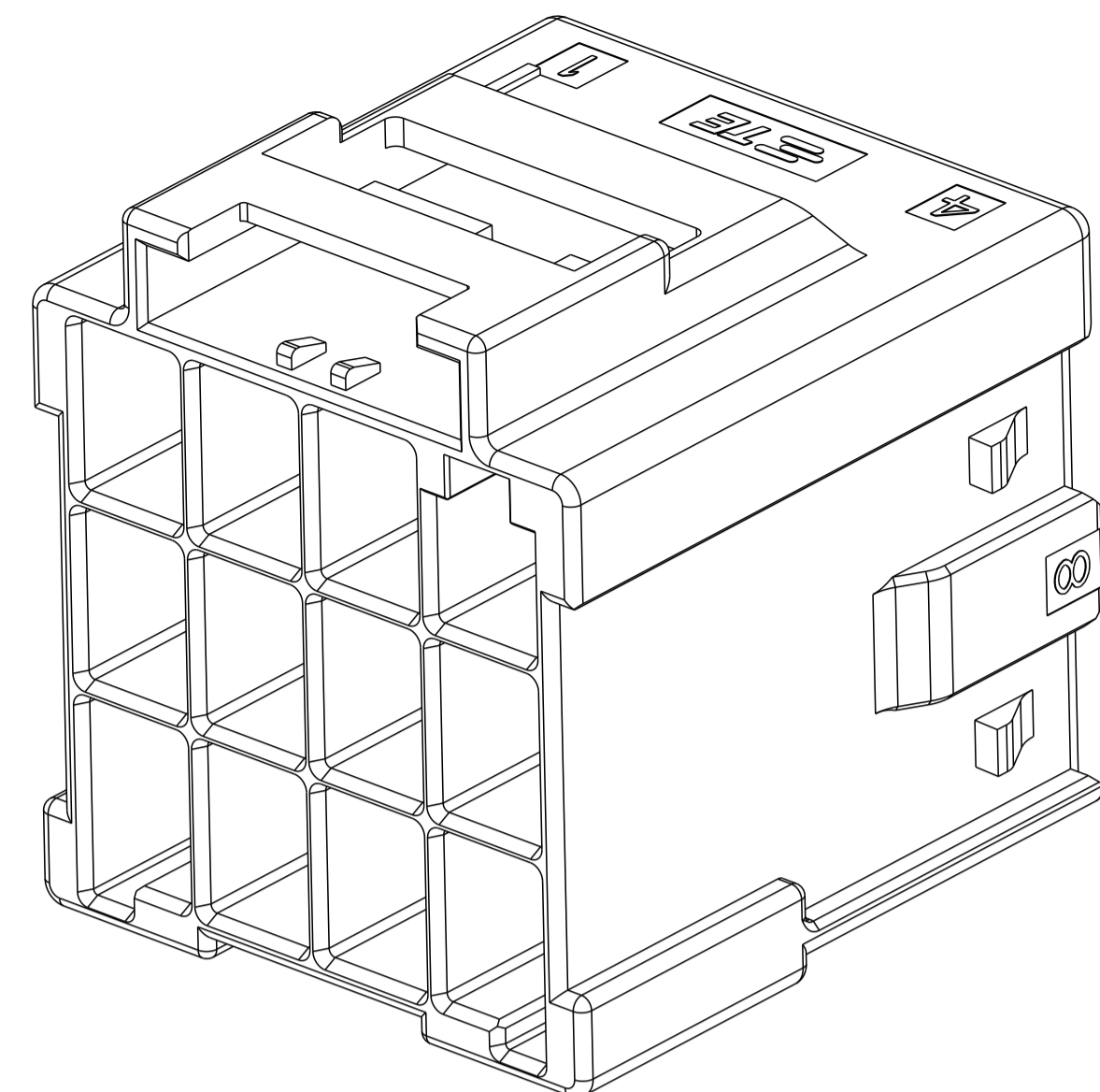
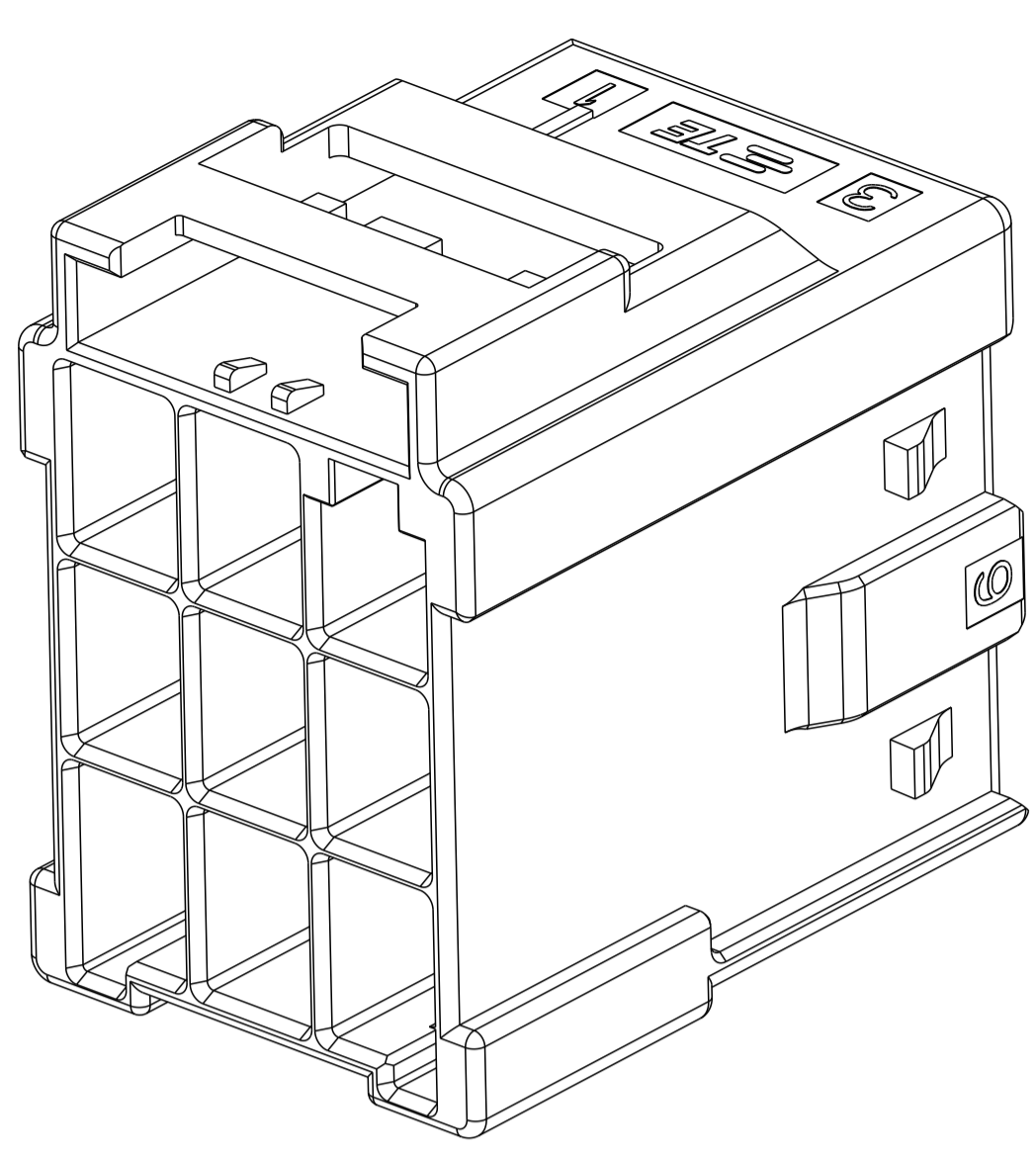
- 1 MATERIAL:
 LEVEL 1: PBT, STANDARD TEMPERATURE 105°C
 KEY A: NATURAL; KEY B: PURPLE; KEY C: BLUE; KEY D: YELLOW
 LEVEL 2: NYLON, HIGH TEMPERATURE 150°C
 KEY A: LIGHT GREY; KEY B: RED; KEY C: BLACK; KEY D: NATURAL
- 2 MATERIAL MARK:
 LEVEL 1: PBT, LEVEL 2: HDT
- 3 APPLICABLE CONTACT P/N
 TAB CONTACT: 1971238/1971780/82/84/86/88-*, 2238067-*
- 4 MATING CONN, P/N
 PLUG HSG: *-1971876-*,
 TPA DOUBLE ROW TPA: *-1971778-*, SINGLE ROW TPA: *-1971777-*
- 5 THIS PRODUCT HAS NOT COMPLETED VALIDATION TESTING



POS.	DIM.A	DIM.B
3*5	33.70	31.30
3*4	27.70	25.30
3*3	21.70	19.30

THIS DRAWING IS A CONTROLLED DOCUMENT.		OWN TOMMY WU 09JUL2012	TE Connectivity NAME CAP HOUSING, FREE HANGING, TRIPLE ROW POWER TRIPLE LOCK
DIMENSIONS:		CHK HAPYE WU 09JUL2012	
TOLERANCES UNLESS OTHERWISE SPECIFIED:		APVD YUHONG MAO 09JUL2012	
mm		PRODUCT SPEC	
0 PLC	±	108-106118	APPLICATION SPEC
1 PLC	±0.35	114-106118	SIZE CAGE CODE DRAWING NO
2 PLC	±0.25		RESTRICTED TO
3 PLC	±		A100779C=1971874
4 PLC	±		SCALE - SHEET 1 OF 2 REV C
ANGLES	±		
FINISH	-		
MATERIAL	-		
	-		

REVISIONS				
P. LTR	DESCRIPTION	DATE	OWN	APVD
-	SEE SHEET 1	-	-	-

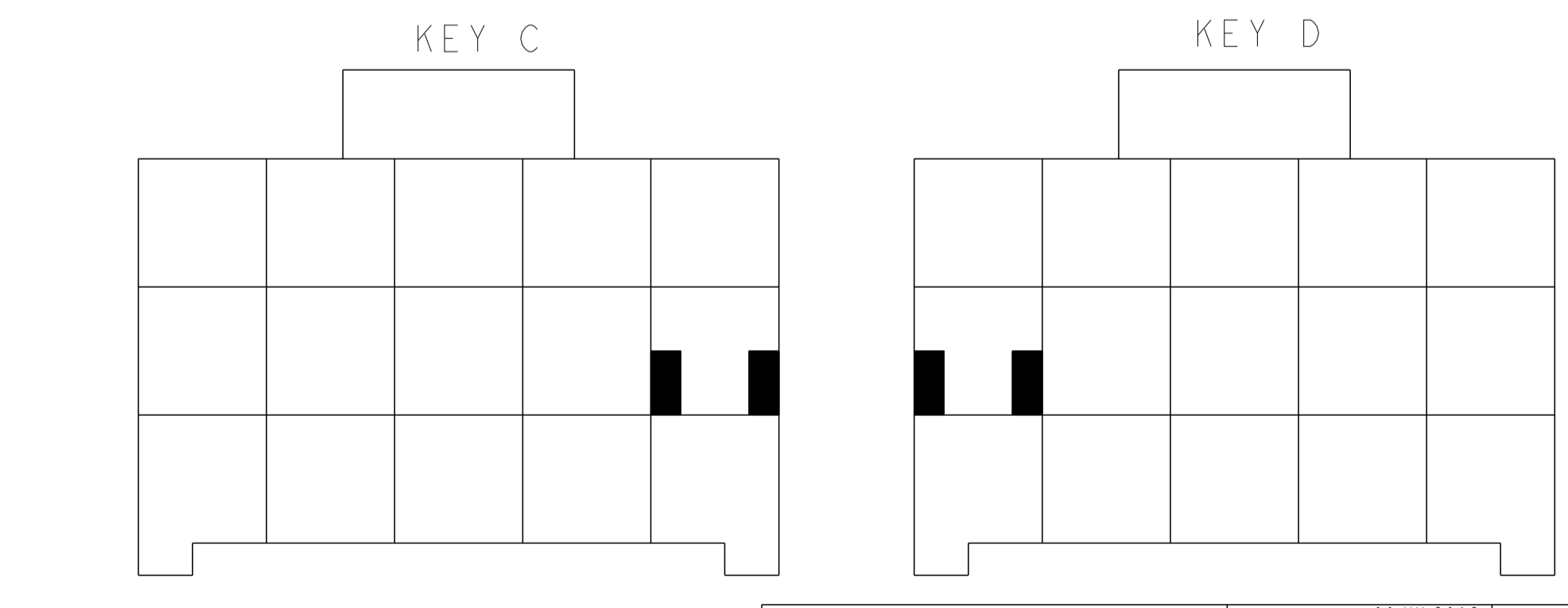
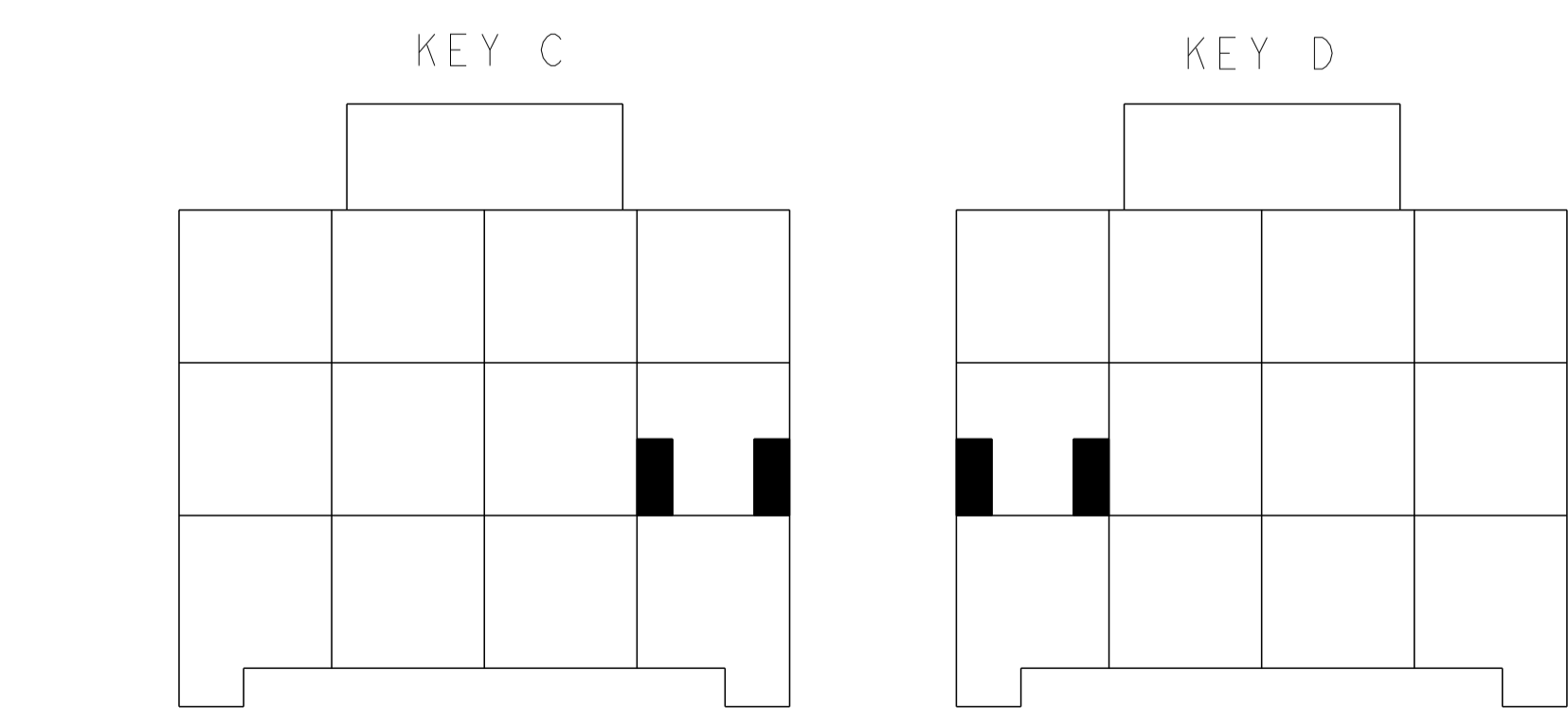
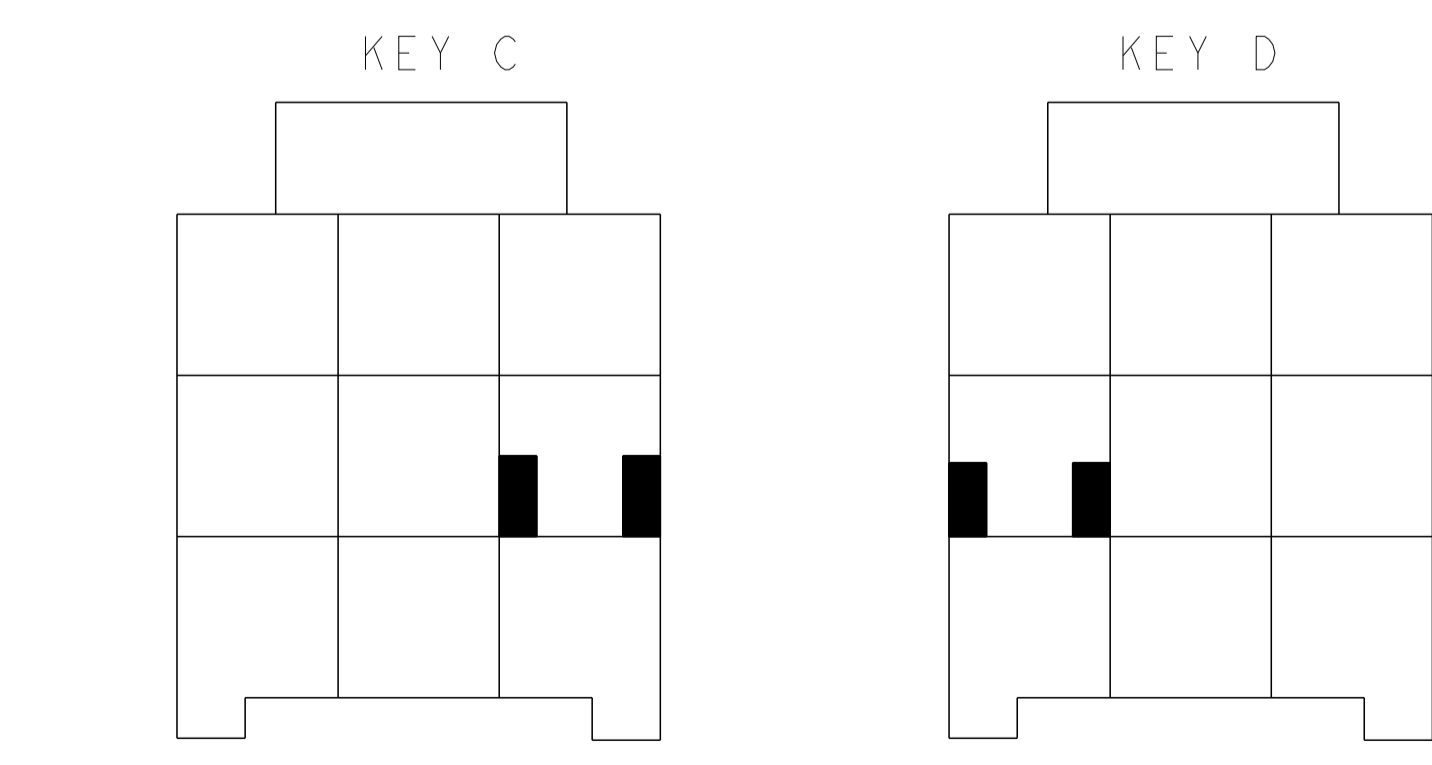
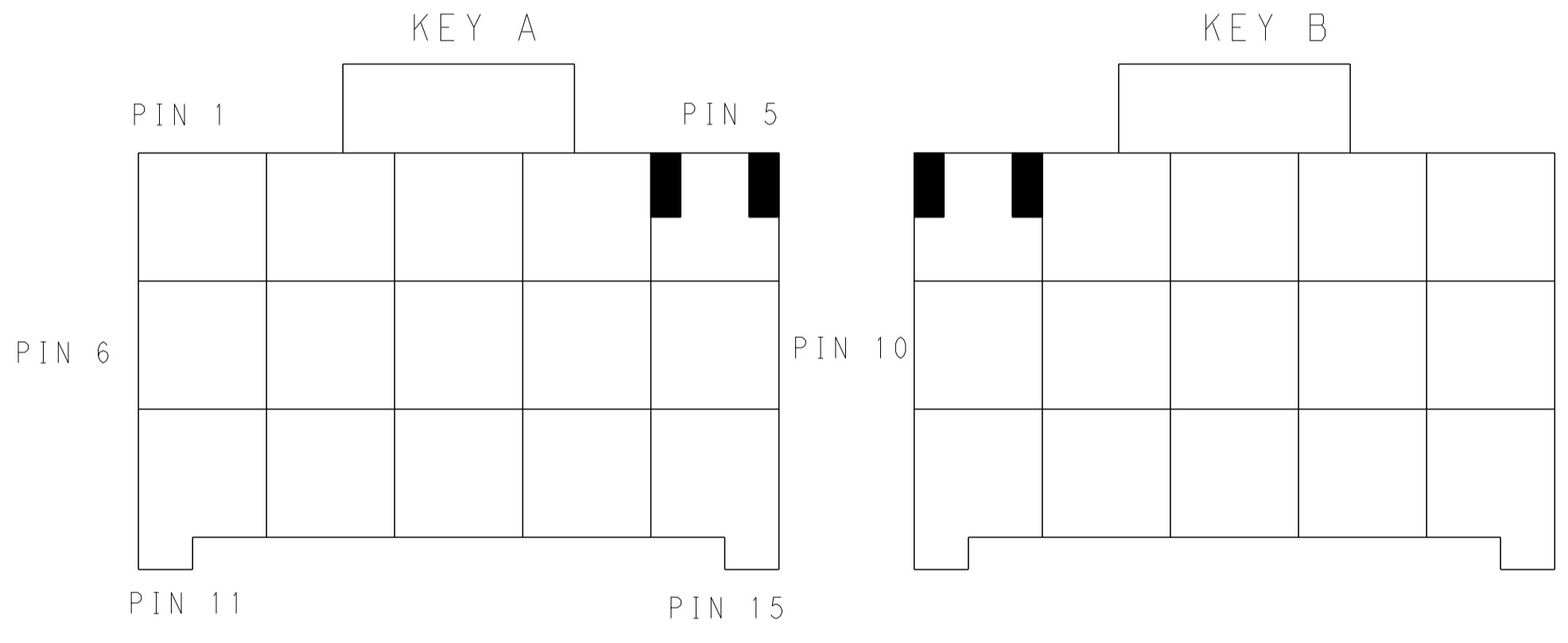
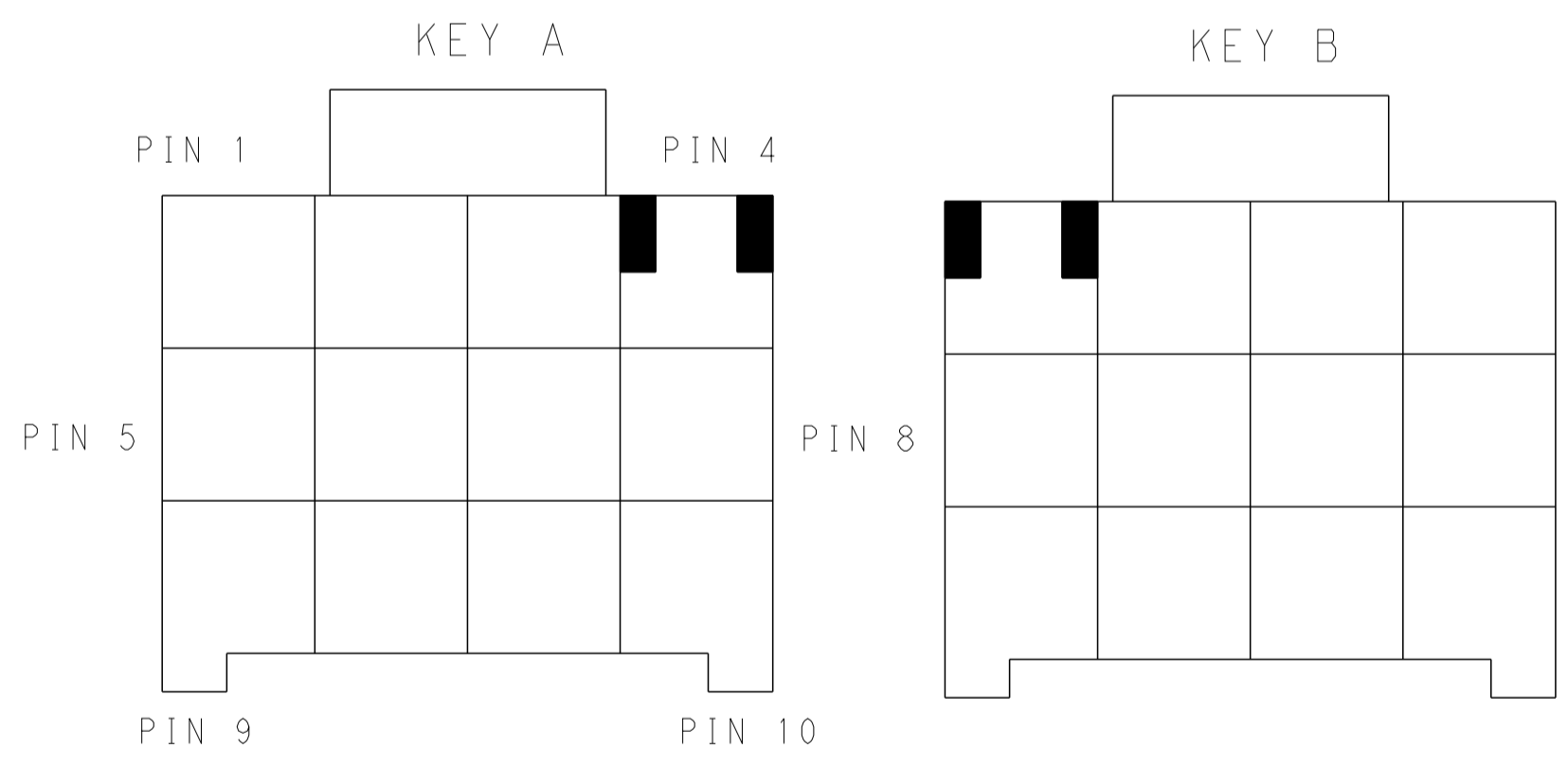
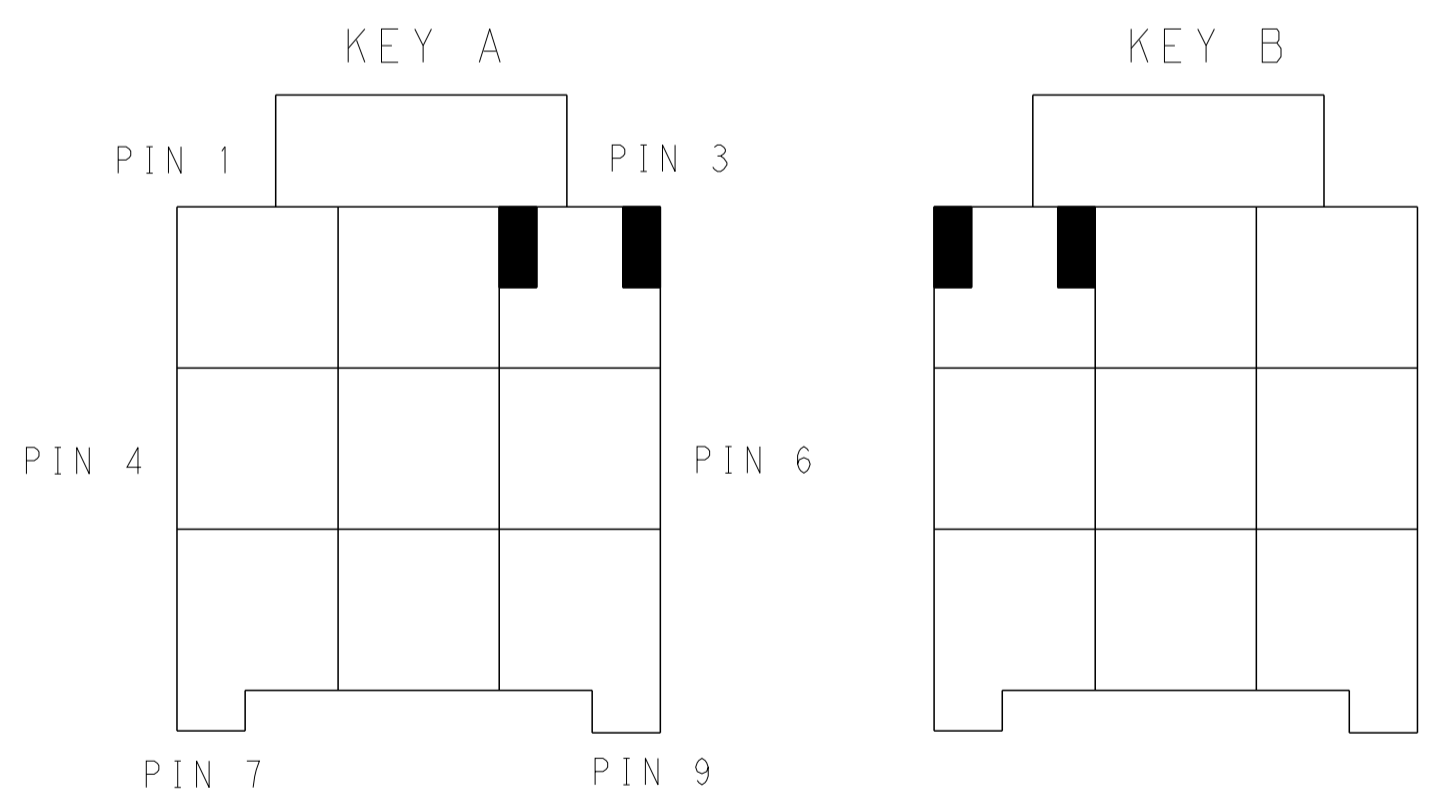


3*5	LEVEL 1	KEY A	1-1971874-7
		KEY B	2-1971874-7
		KEY C	3-1971874-7
		KEY D	4-1971874-7
3*5	LEVEL 2	KEY A	5-1971874-7
		KEY B	6-1971874-7
		KEY C	7-1971874-7
		KEY D	8-1971874-7
3*4	LEVEL 1	KEY A	1-1971874-4
		KEY B	2-1971874-4
		KEY C	3-1971874-4
		KEY D	4-1971874-4
3*4	LEVEL 2	KEY A	5-1971874-4
		KEY B	6-1971874-4
		KEY C	7-1971874-4
		KEY D	8-1971874-4
3*3	LEVEL 1	KEY A	1-1971874-3
		KEY B	2-1971874-3
		KEY C	3-1971874-3
		KEY D	4-1971874-3
3*3	LEVEL 2	KEY A	5-1971874-3
		KEY B	6-1971874-3
		KEY C	7-1971874-3
		KEY D	8-1971874-3
POS.	MATERIAL	KEY	P/N

3*3 POSITIONS

3*4 POSITIONS

3*5 POSITIONS



KEYING FOR 3*3 POS.

KEYING FOR 3*4 POS.

KEYING FOR 3*5 POS.

THIS DRAWING IS A CONTROLLED DOCUMENT.

DIMENSIONS:	TOLERANCES UNLESS OTHERWISE SPECIFIED:	OWN TOMMY WU 09JUL2012	CHK HAPYE WU 09JUL2012	APVD YUHONG MAO 09JUL2012
mm	0 PLC ±0.35 1 PLC ±0.25 2 PLC ±0.25 3 PLC ±0.25 4 PLC ±0.25 ANGLES ±0.25	PRODUCT SPEC	108-106118	APPLICATION SPEC
MATERIAL	FINISH	114-106118	WEIGHT	Customer Drawing

STE TE Connectivity

NAME: CAP HOUSING, FREE HANGING, TRIPLE ROW POWER TRIPLE LOCK

SIZE: A100779 C=1971874

RESTRICTED TO: -

SCALE: - SHEET 2 OF 2 REV C

X-ON Electronics

Largest Supplier of Electrical and Electronic Components

Click to view similar products for [Headers & Wire Housings](#) category:

Click to view products by [TE Connectivity](#) manufacturer:

Other Similar products are found below :

[892-18-020-10-001101](#) [58102-G61-06LF](#) [582553-1](#) [0009485154](#) [009176003701906](#) [0050291907](#) [LY20-4P-DT1-P1E-BR](#) [02.125.8002.8](#)
[609-3404](#) [61062-3](#) [61082-181009](#) [622-3653LF](#) [63453-116](#) [636-1030](#) [636-1427](#) [636-3427](#) [636-4007](#) [641938-9](#) [641991-4](#) [644827-2](#) [65817-](#)
[010LF](#) [65817-015LF](#) [65863-015LF](#) [66207-023LF](#) [67095-007LF](#) [67601157](#) [68645-018](#) [68648-049](#) [70.362.1628.0](#) [70-4210](#) [70-4226B](#) [70-](#)
[4853B](#) [707-5020](#) [707-5028](#) [71.350.2428.0](#) [71918-208LF](#) [71961-016LF](#) [733-134](#) [733-162](#) [754199-000](#) [760-3052](#) [79531-3000](#) [FCN-](#)
[360C032-B](#) [FCN-367T-T012/H](#) [FCN-723D010/2](#) [80.063.4001.1](#) [800-90-010-10-002000](#) [801-43-002-10-013000](#) [801-43-006-10-002000](#)
[801-93-011-10-001000](#)