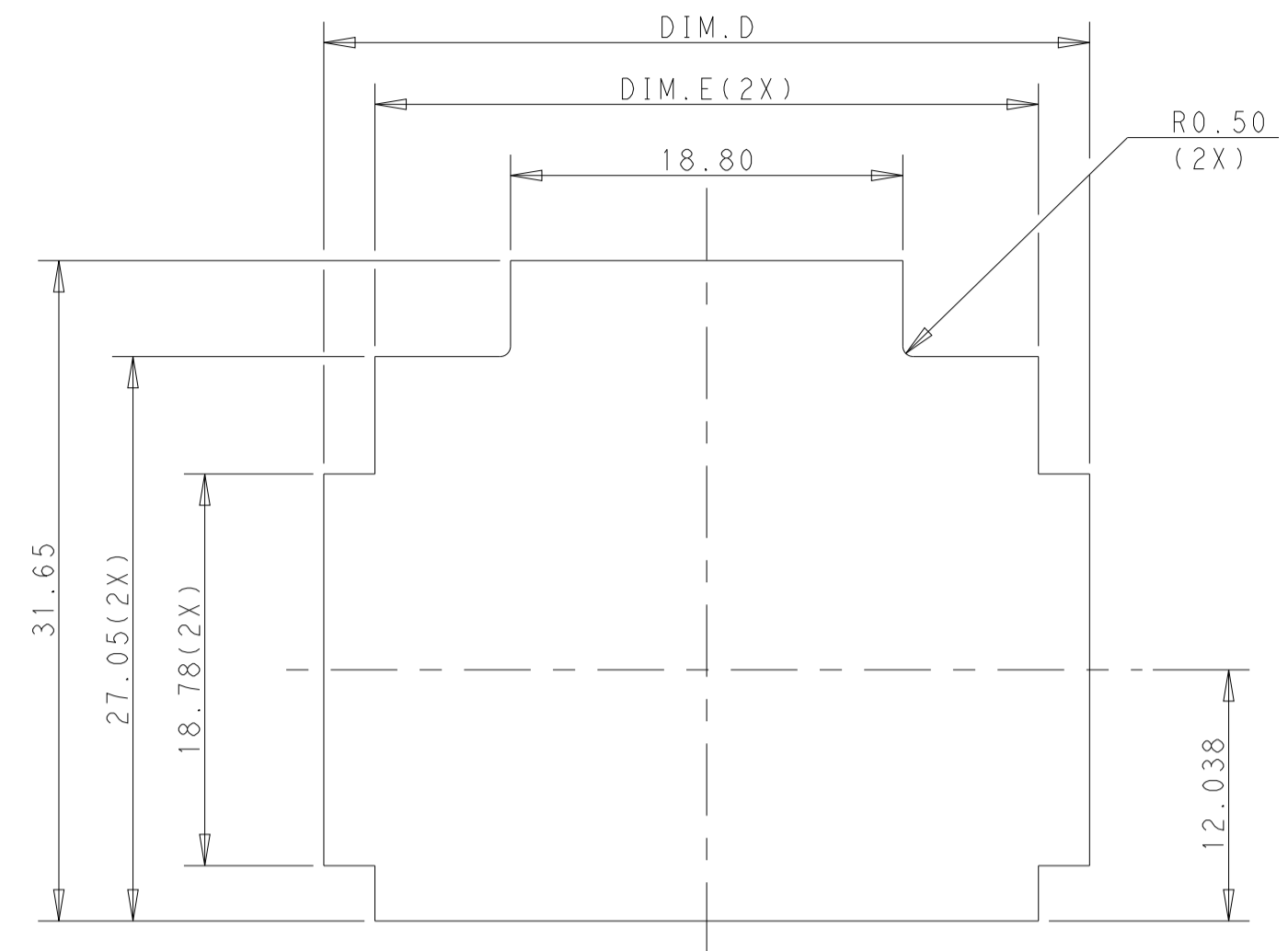
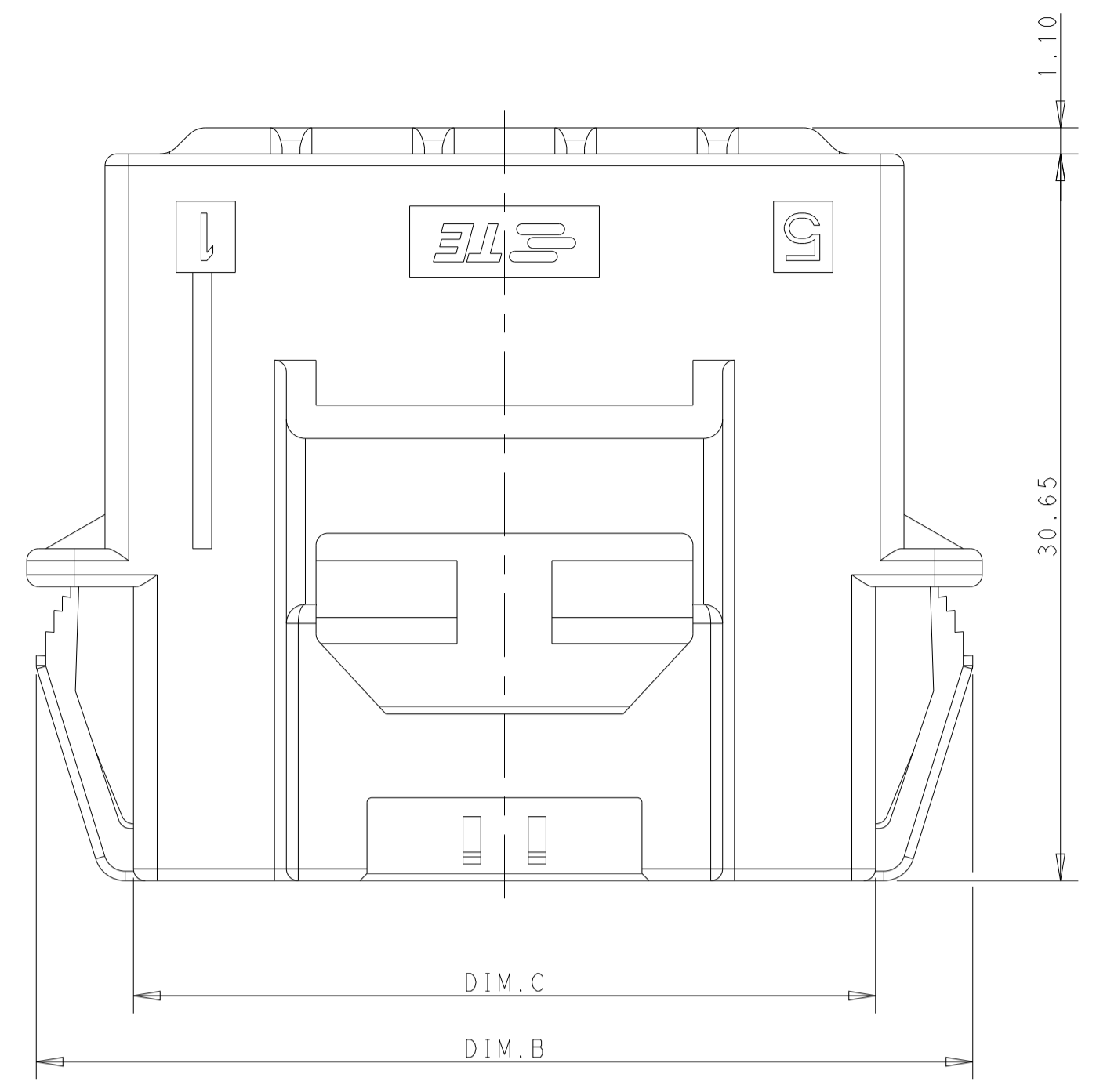
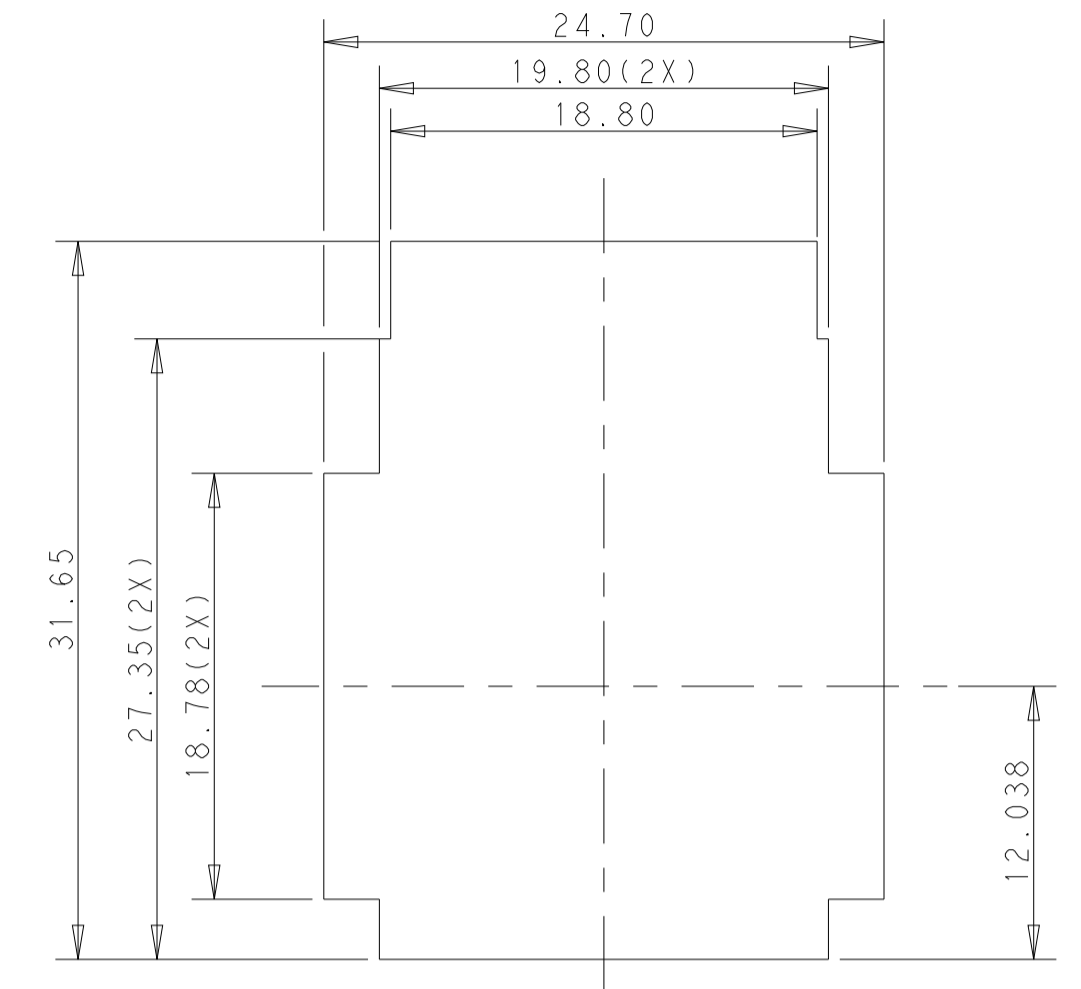


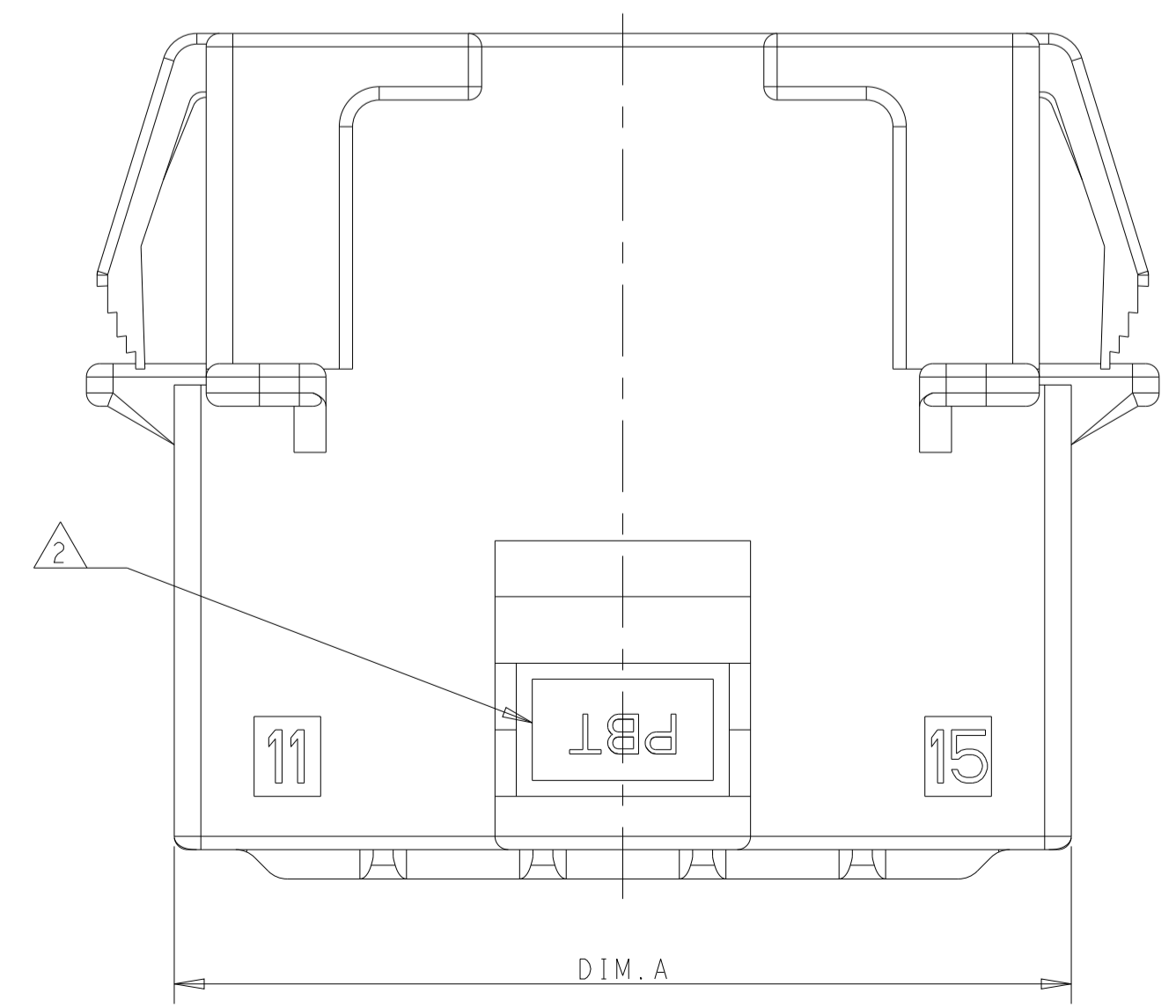
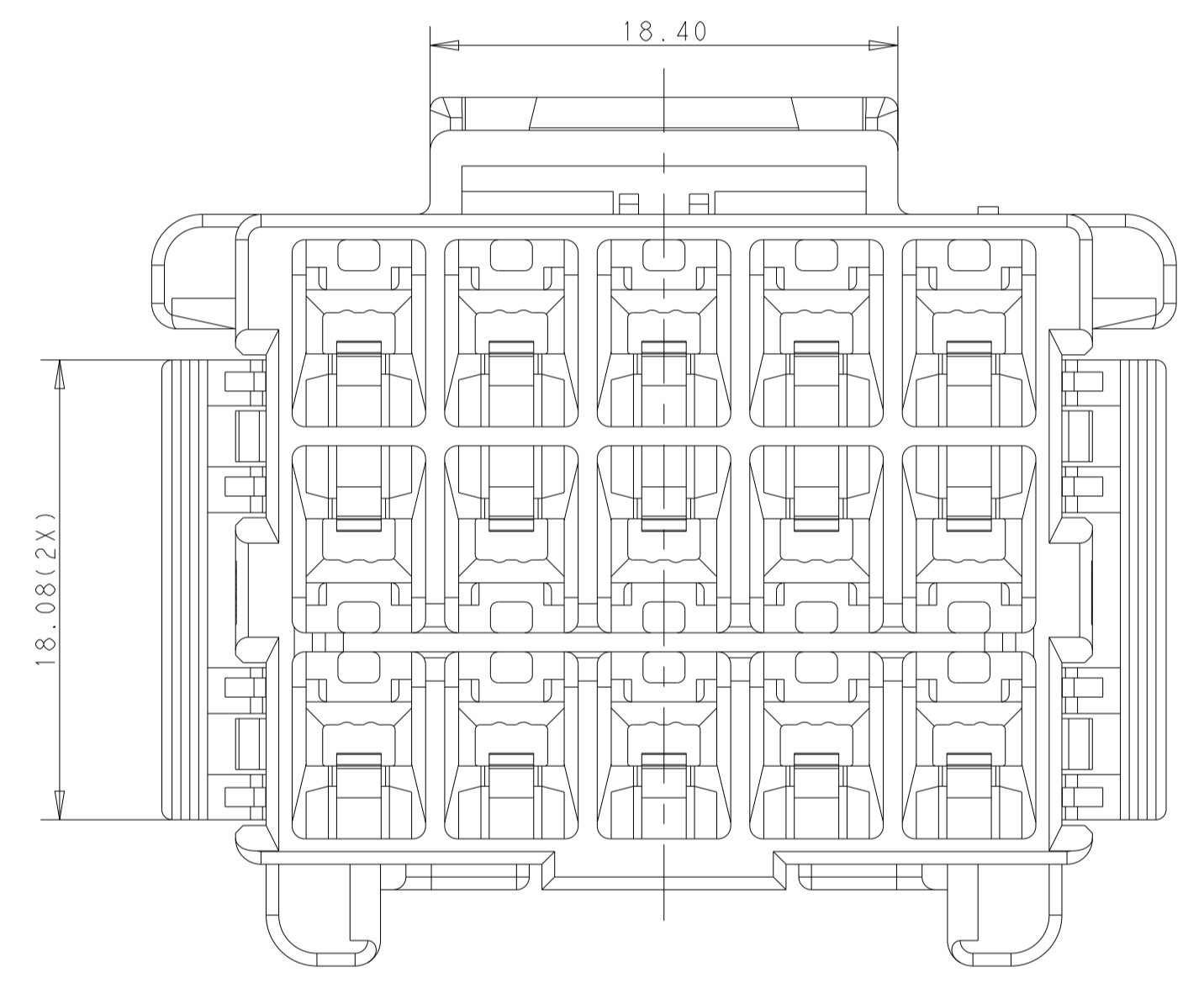
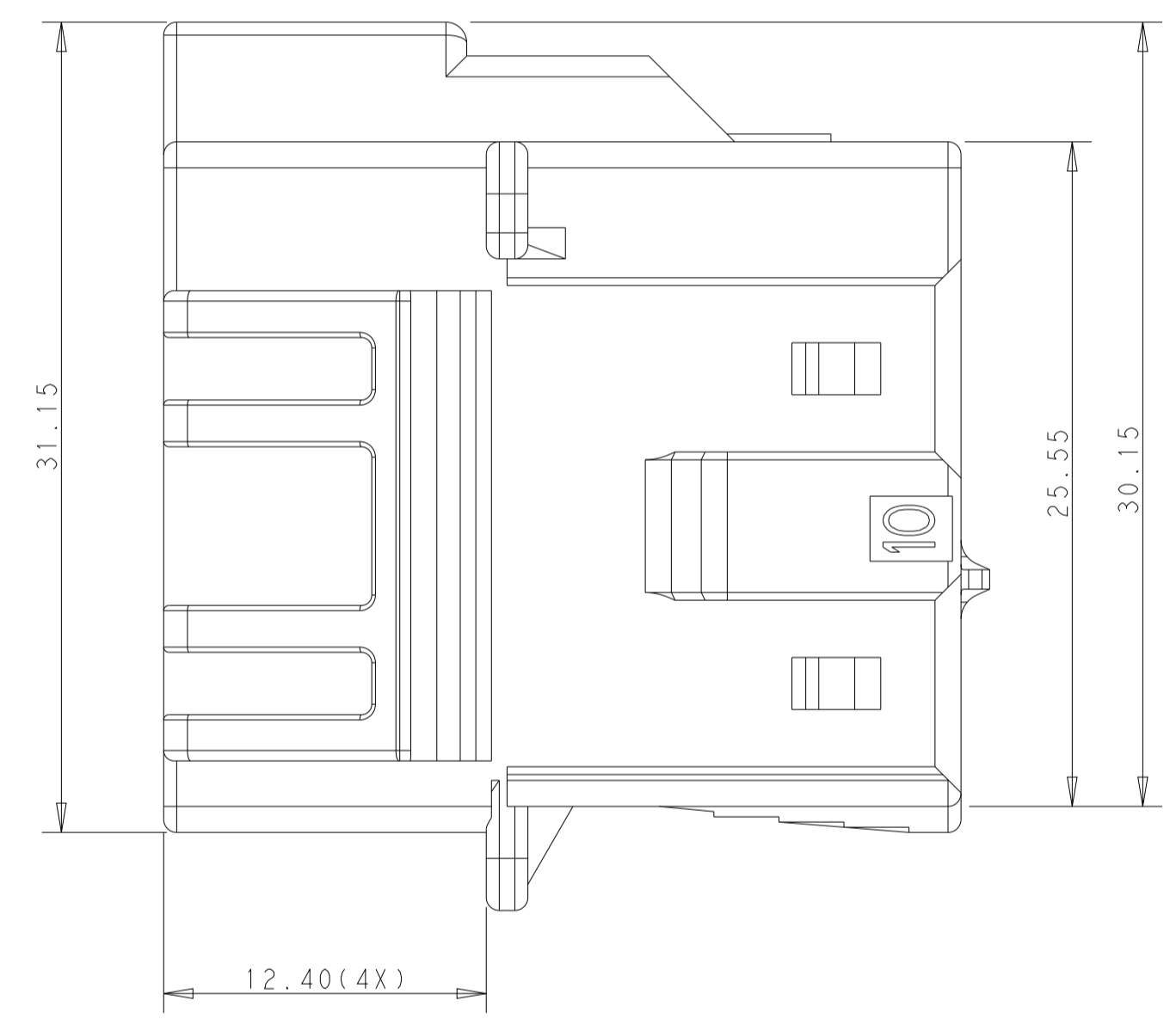
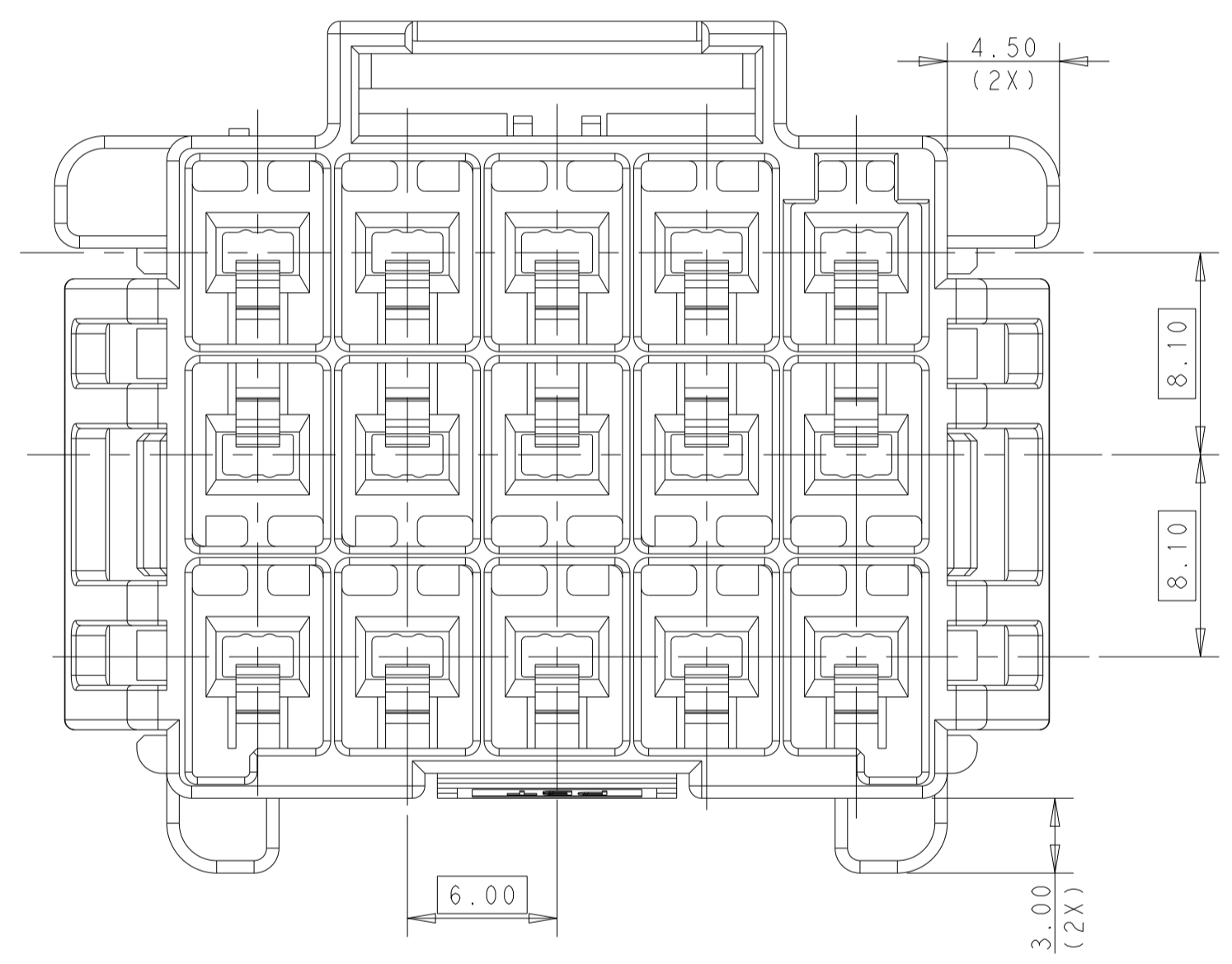
REVISIONS				
P	LTM	DESCRIPTION	DATE	APVD
E		REVISED PER ECR-21-100678	08APR2021	SS VS
F		REVISED PER ECR-20-100915	28APR2021	JP VS



RECOMMENDED PANEL OPENING DIMENSIONS FOR CAP HOUSING 3*5 AND 3*4 POSITIONS (TOLERANCE: ±0.15mm)



RECOMMENDED PANEL OPENING DIMENSIONS FOR CAP HOUSING 3*3 POSITION (TOLERANCE: ±0.15mm)



- 1 MATERIAL:
 LEVEL 1: PBT, STANDARD TEMPERATURE 105°C
 KEY A:NATURAL; KEY B:PURPLE; KEY C:BLUE; KEY D:YELLOW
 LEVEL 2: PA66, HIGH TEMPERATURE 150°C
 KEY A:LIGHT GREY; KEY B:RED; KEY C:BLACK; KEY D:NATURAL
- 2 MATERIAL MARK:
 LEVEL 1:PBT, LEVEL 2:HDT
- 3. APPLICABLE CONTACT P/N
 TAB CONTACT:1971238/1971780/82/84/86/88-*,2238067-*
- 4. MATING CONN, P/N
 PLUG HSG:*-1971876-*,
 TPA DOUBLE ROW:*-1971778-*,SINGLE ROW:*-1971777-*
- 5. RECOMMENDED PANEL THICKNESS:1.0-2.0mm
- 6 GLOW WIRE COMPLIANT IN ACCORDANCE WITH IEC 60335-1. THIS IS BASED ON THE PRODUCT MEETING A GWPT 850°C TEST AND RESIN GWIT GREATER THAN OR EQUAL TO 775°C.

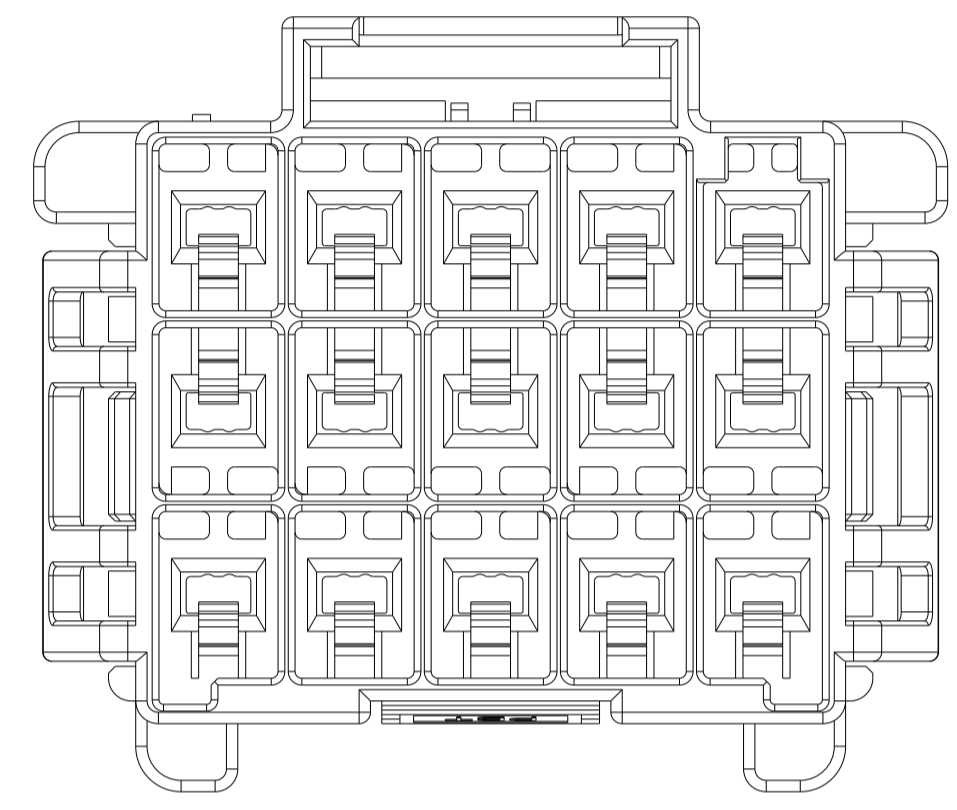
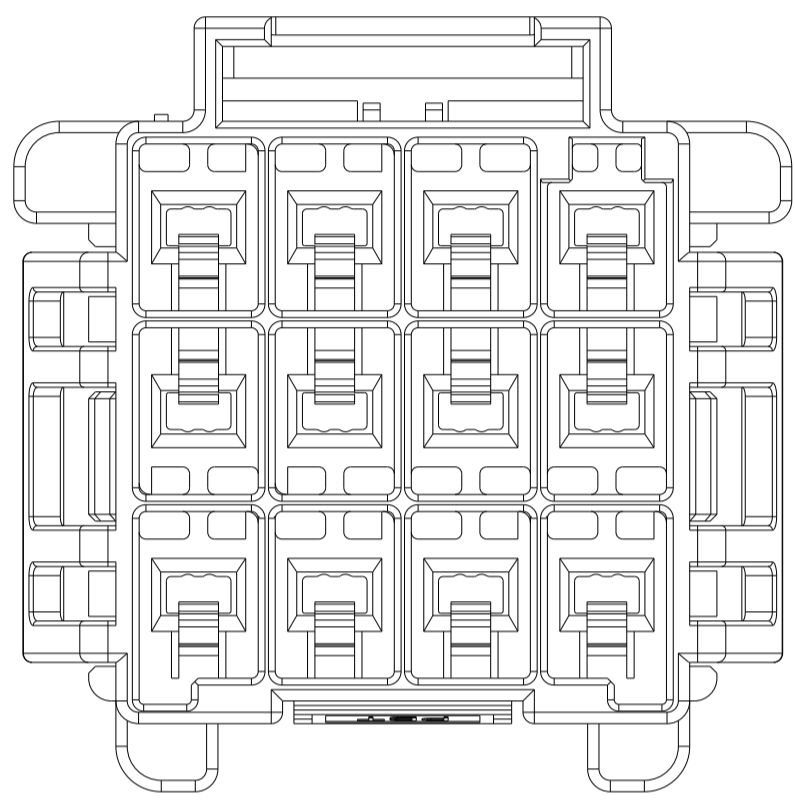
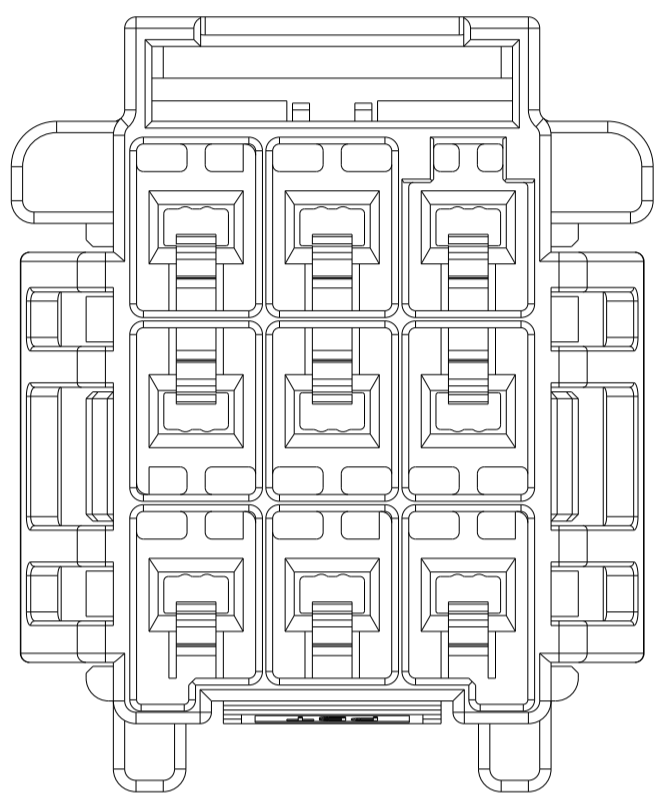
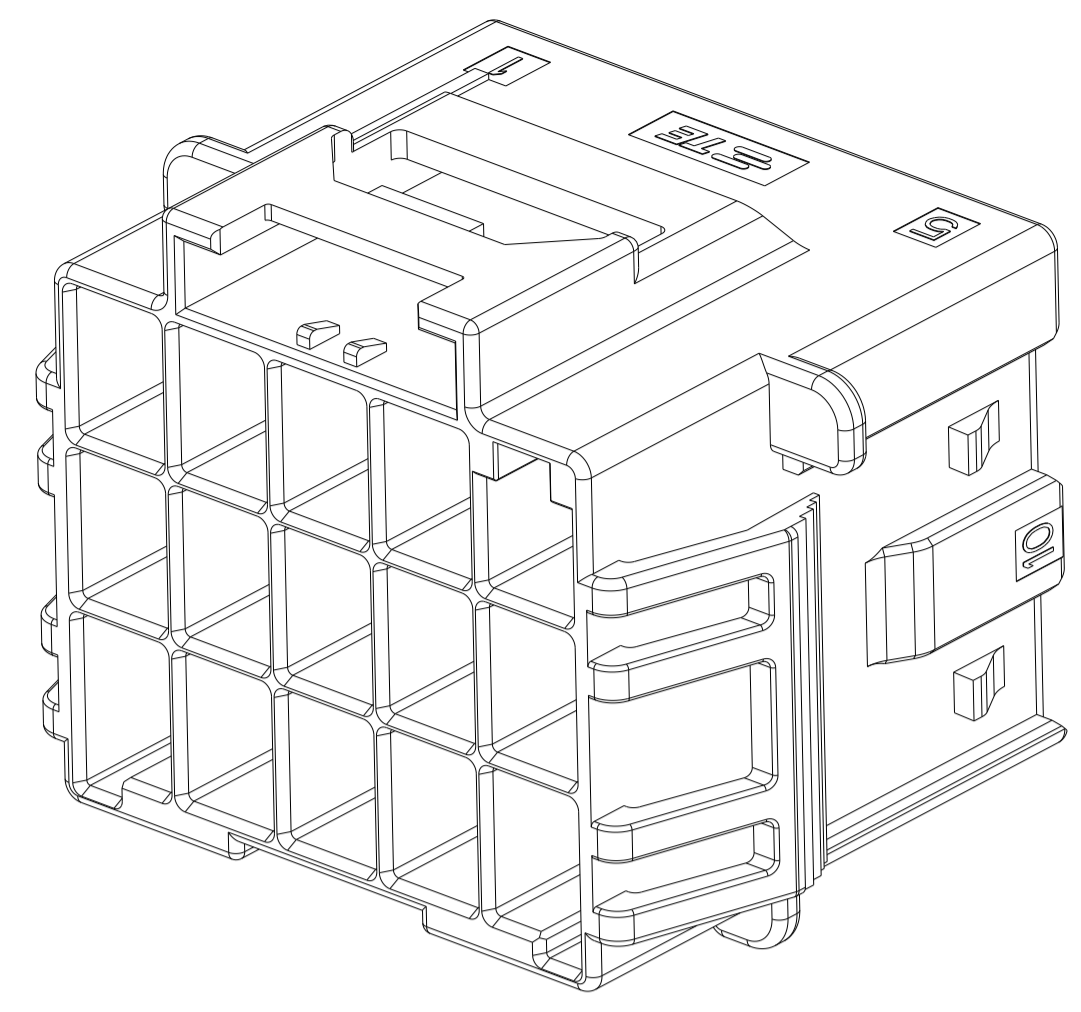
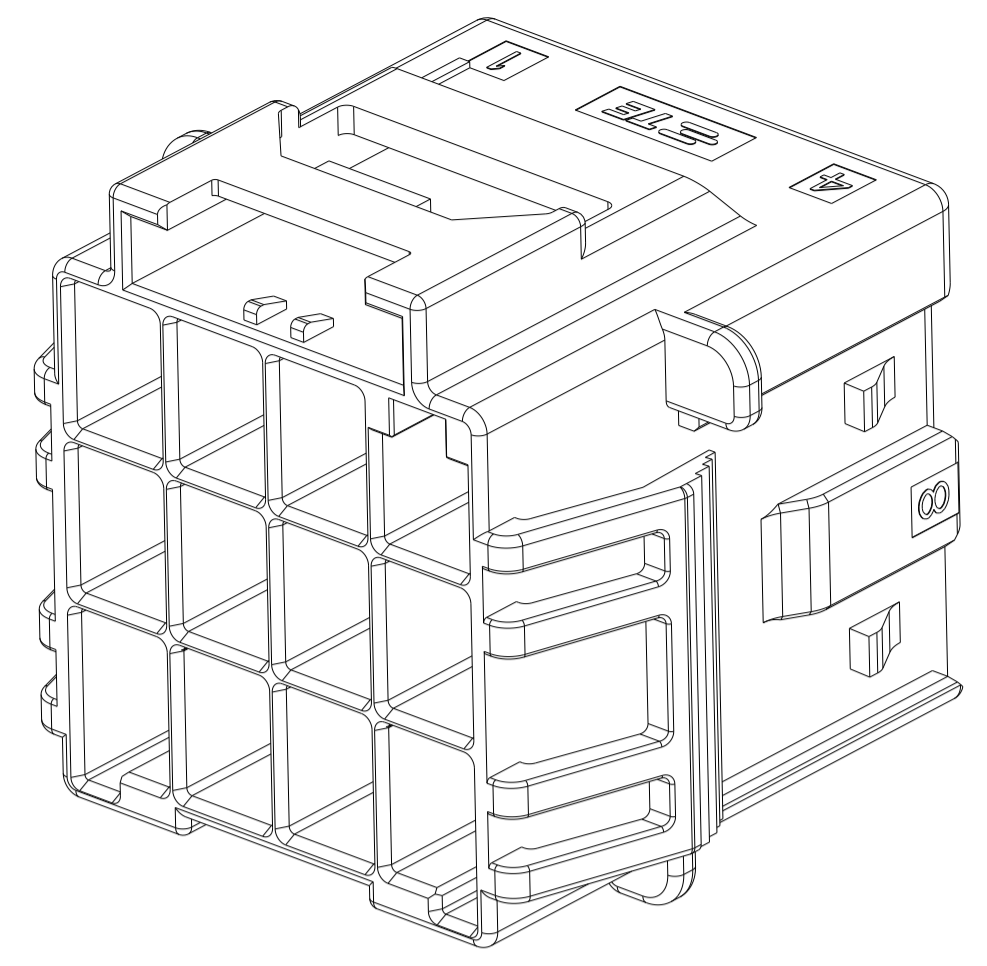
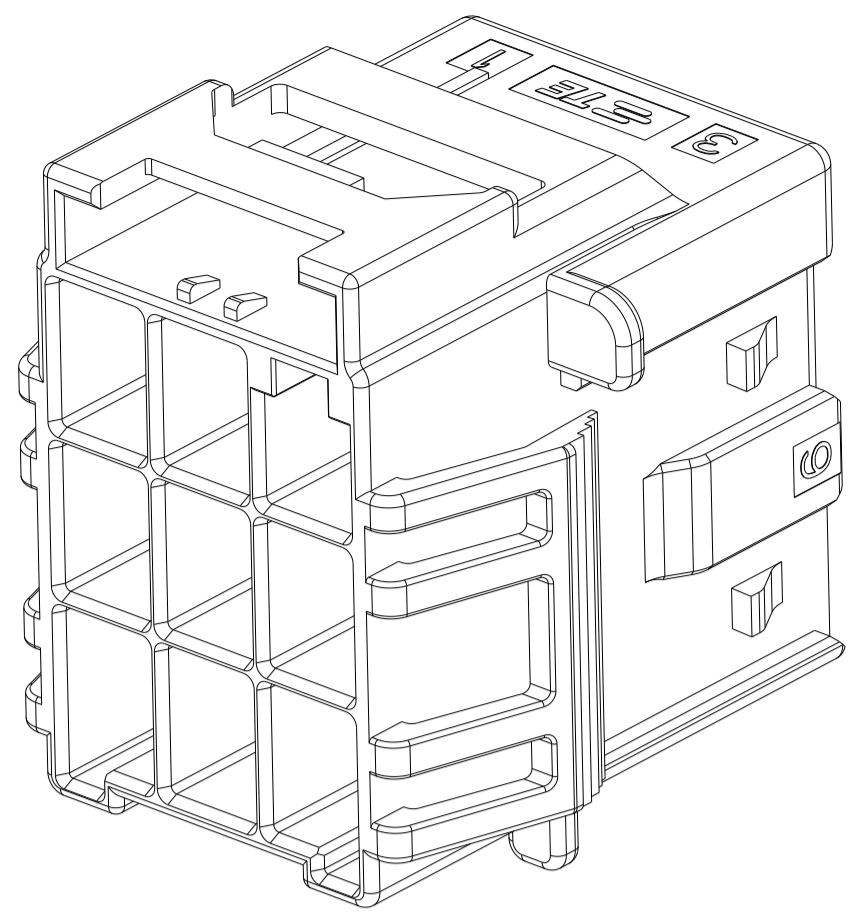
POS	A	B	C	D	E
3*5	33.70	39.5	31.30	36.70	31.80
3*4	27.70	33.5	25.30	30.70	25.80
3*3	21.70	27.5	19.30		

THIS DRAWING IS A CONTROLLED DOCUMENT.

DIMENSIONS:	TOLERANCES UNLESS OTHERWISE SPECIFIED:	DWN TOMMY WU 06JUL2012	CHK HAPYE WU 06JUL2012
mm	0 PLC ±0.35 1 PLC ±0.25 2 PLC ±0.25 3 PLC ±0.25 4 PLC ±0.25 ANGLES ±0.5° FINISH	APVD YUHONG MAO 06JUL2012	NAME: CAP HOUSING, PANEL MOUNT, TRIPLE ROW POWER TRIPLE LOCK
MATERIAL		PRODUCT SPEC 108-106118	APPLICATION SPEC 114-106118
		SIZE CAGE CODE DRAWING NO	RESTRICTED TO
		WEIGHT	A100779C=1971875
		Customer Drawing	SCALE 4:1 SHEET 1 OF 2 REV F

TE Connectivity

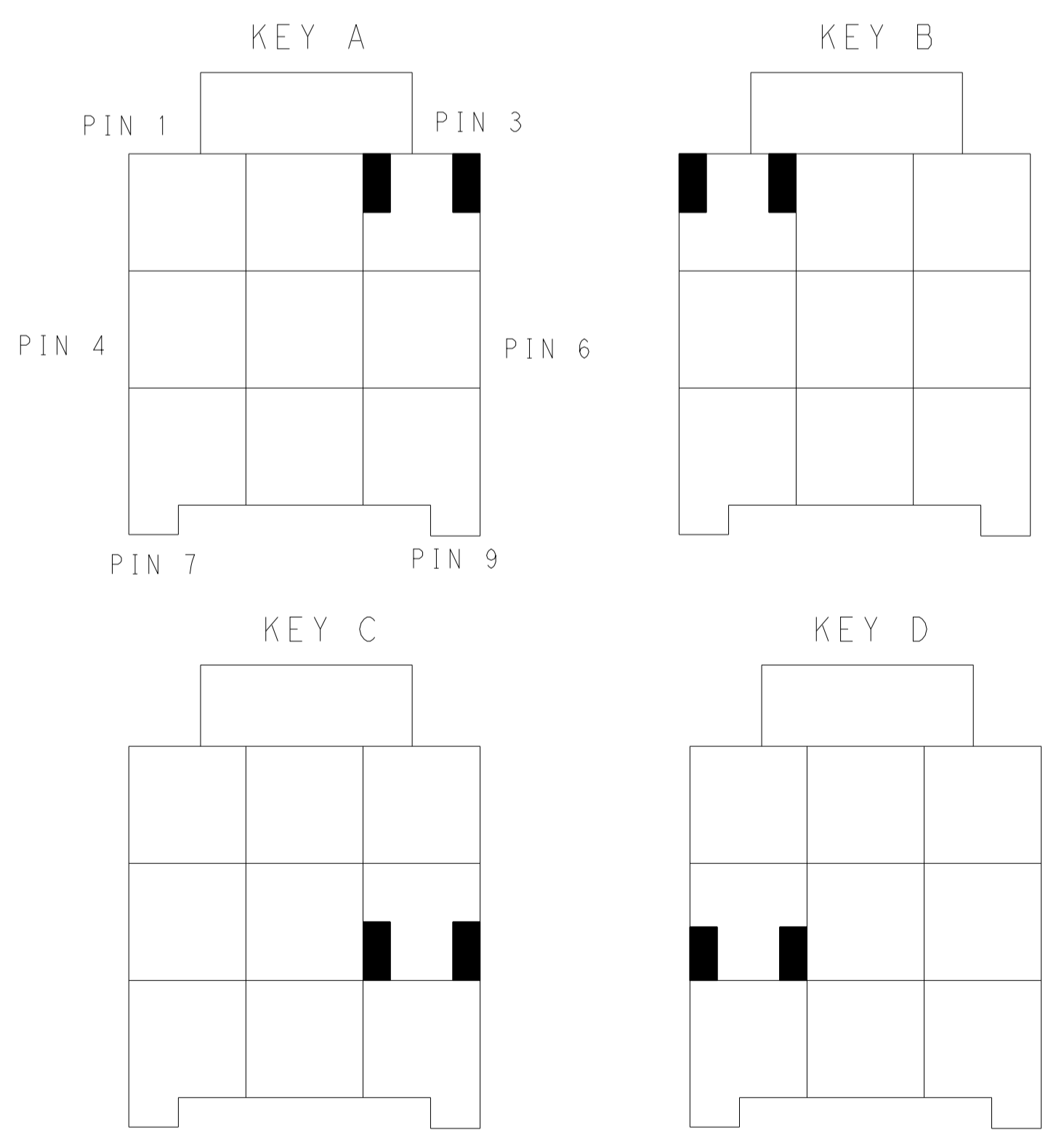
REVISIONS				
P	LTN	DESCRIPTION	DATE	APVD
-	SEE SHEET 1			



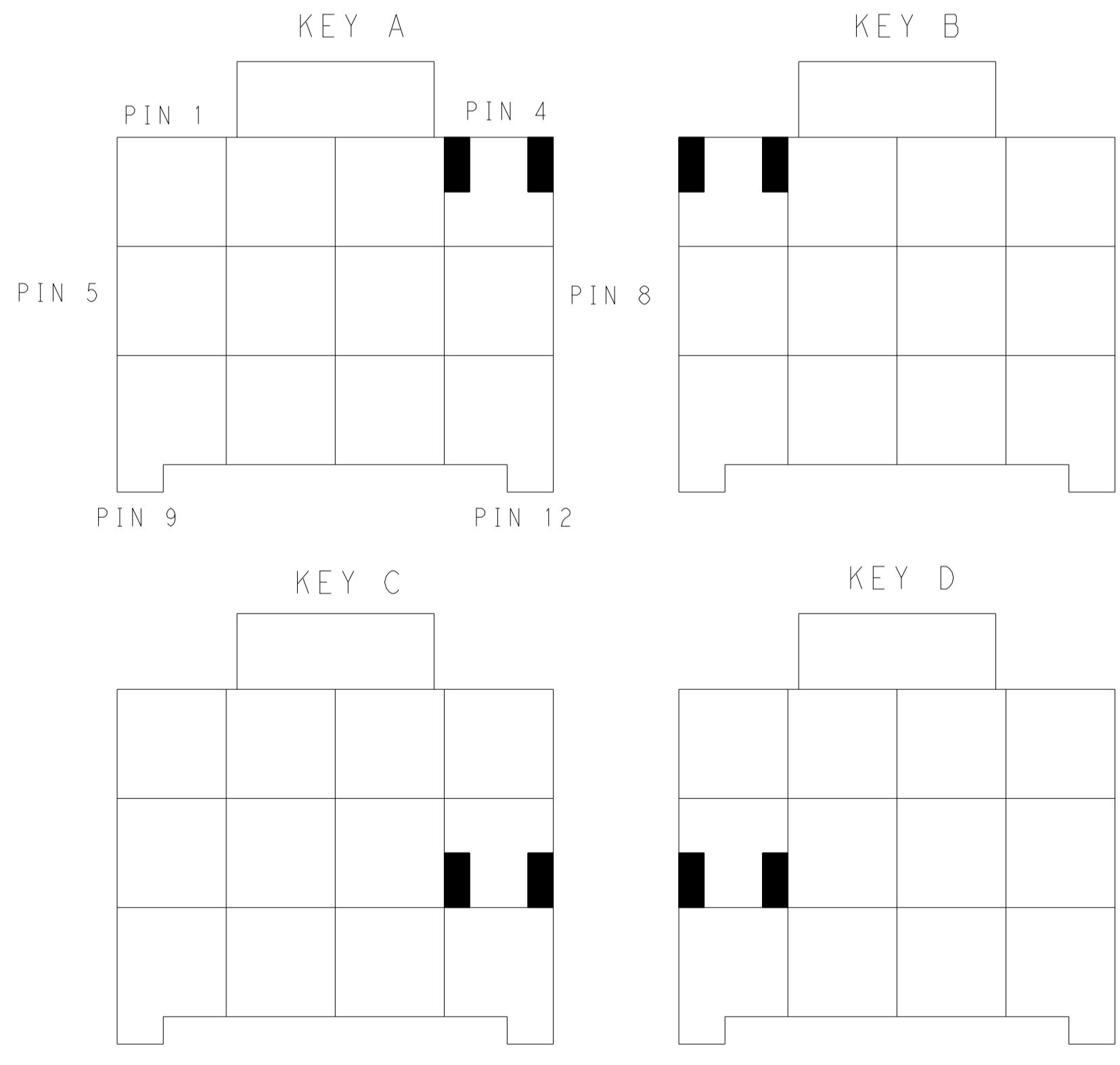
3*3 POSITIONS

3*4 POSITIONS

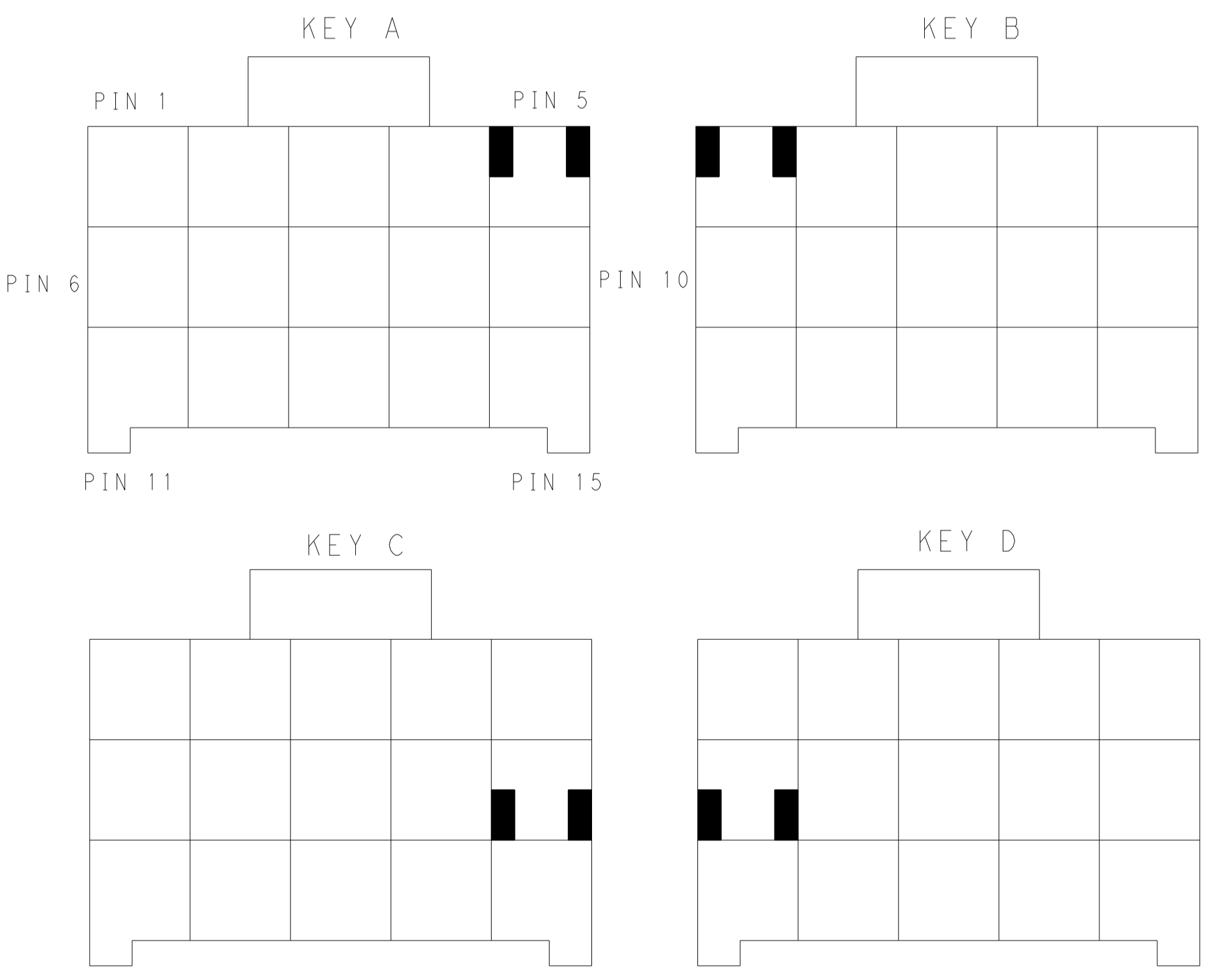
3*5 POSITIONS



KEYING FOR 3*3 POS.



KEYING FOR 3*4 POS.



KEYING FOR 3*5 POS.

POS.	MATERIAL	KEY	P/N
3*5	LEVEL 1	KEY A	1-1971875-7
		KEY B	2-1971875-7
		KEY C	3-1971875-7
		KEY D	4-1971875-7
3*5	LEVEL 2 △6	KEY A	5-1971875-7
		KEY B	6-1971875-7
		KEY C	7-1971875-7
		KEY D	8-1971875-7
3*4	LEVEL 1	KEY A	1-1971875-4
		KEY B	2-1971875-4
		KEY C	3-1971875-4
		KEY D	4-1971875-4
3*4	LEVEL 2 △6	KEY A	5-1971875-4
		KEY B	6-1971875-4
		KEY C	7-1971875-4
		KEY D	8-1971875-4
3*3	LEVEL 1	KEY A	1-1971875-3
		KEY B	2-1971875-3
		KEY C	3-1971875-3
		KEY D	4-1971875-3
3*3	LEVEL 2 △6	KEY A	5-1971875-3
		KEY B	6-1971875-3
		KEY C	7-1971875-3
		KEY D	8-1971875-3

THIS DRAWING IS A CONTROLLED DOCUMENT.

OWNER: TOMMY WU 06JUL2012
 CHK: HAPYE WU 06JUL2012
 APVD: YUHONG MAO 06JUL2012

TE Connectivity

NAME: CAP HOUSING, PANEL MOUNT, TRIPLE ROW POWER TRIPLE LOCK

SIZE: A1 00779 C=1971875

Customer Drawing

SCALE: - SHEET 2 OF 2 REV F

RESTRICTED TO

APPLICABLE DIMENSIONS: DIMENSIONS: mm

TOLERANCES UNLESS OTHERWISE SPECIFIED:

0 PLC	±	
1 PLC	±0.35	
2 PLC	±0.25	
3 PLC	±	
4 PLC	±	
ANGLES	±	
FINISH		

PRODUCT SPEC: 108-106118
 APPLICATION SPEC: 114-106118

X-ON Electronics

Largest Supplier of Electrical and Electronic Components

Click to view similar products for [Headers & Wire Housings](#) category:

Click to view products by [TE Connectivity](#) manufacturer:

Other Similar products are found below :

[892-18-020-10-001101](#) [58102-G61-06LF](#) [582553-1](#) [0009485154](#) [009176003701906](#) [0050291907](#) [LY20-4P-DT1-P1E-BR](#) [02.125.8002.8](#)
[609-3404](#) [61062-3](#) [61082-181009](#) [622-3653LF](#) [63453-116](#) [636-1030](#) [636-1427](#) [636-3427](#) [636-4007](#) [641938-9](#) [641991-4](#) [644827-2](#) [65817-010LF](#) [65817-015LF](#) [65863-015LF](#) [66207-023LF](#) [67095-007LF](#) [67601157](#) [68645-018](#) [68648-049](#) [70.362.1628.0](#) [70-4210](#) [70-4226B](#) [70-4853B](#) [707-5020](#) [707-5028](#) [71.350.2428.0](#) [71918-208LF](#) [71961-016LF](#) [733-134](#) [733-162](#) [754199-000](#) [760-3052](#) [787-8014-00](#) [79531-3000](#)
[FCN-360C032-B](#) [FCN-367T-T012/H](#) [FCN-723D010/2](#) [80.063.4001.1](#) [800-90-001-10-001000](#) [800-90-010-10-002000](#) [801-43-002-10-013000](#)