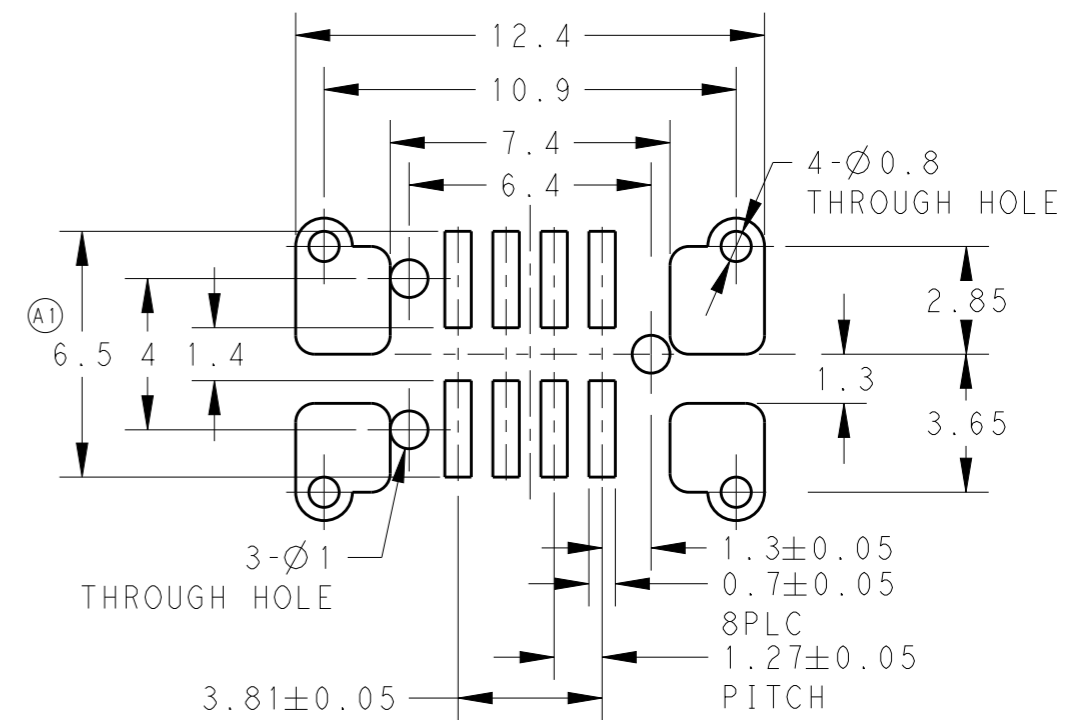
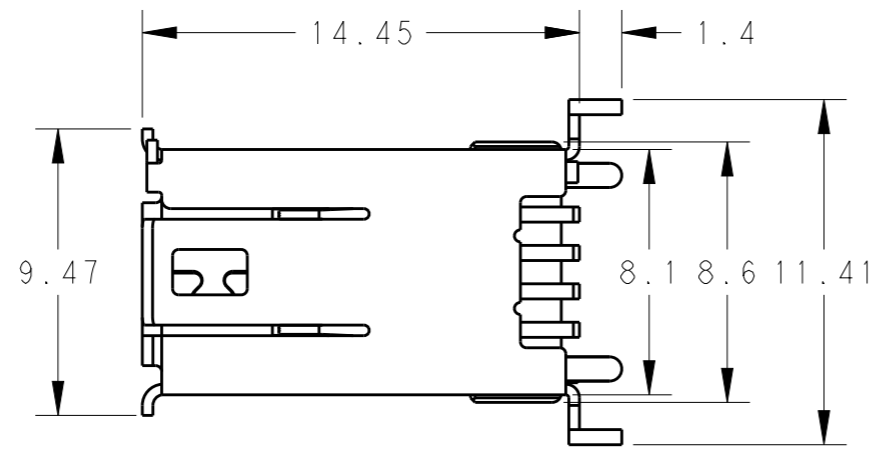
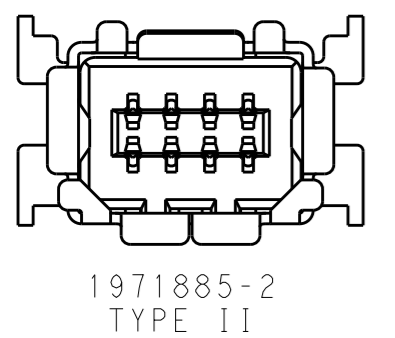
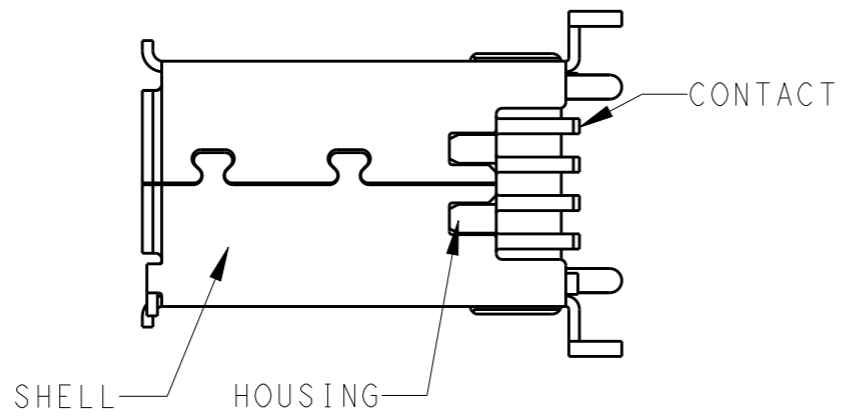
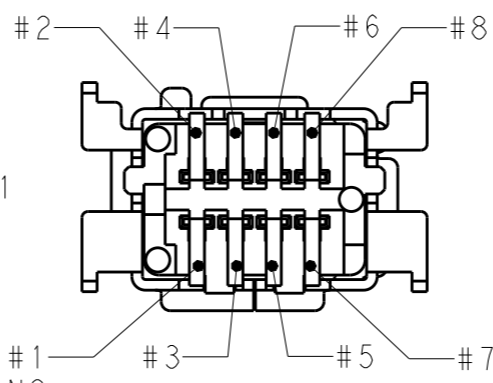
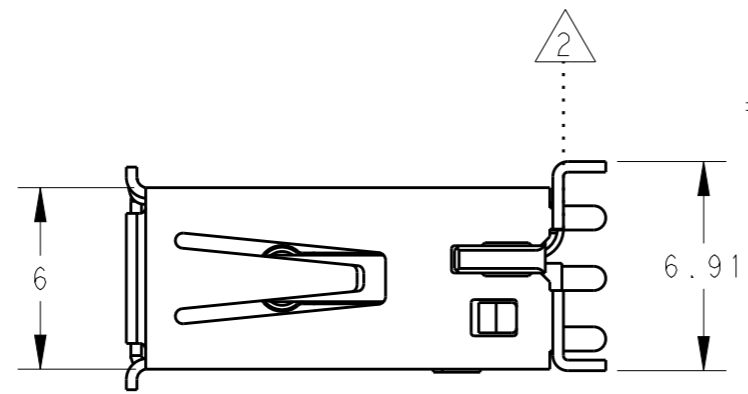
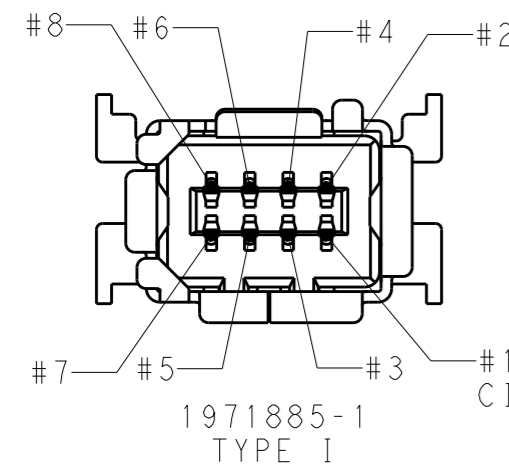


THIS DRAWING IS UNPUBLISHED. RELEASED FOR PUBLICATION. ALL RIGHTS RESERVED.

| LOC | DIST | REVISIONS | | | |
|-----|------|-------------|-------------|-----------|-----------|
| P | LTR | DESCRIPTION | DATE | DWN | APVD |
| - | - | A | NEW RELEASE | 03MAR2013 | H.W. P.Y. |
| - | - | A1 | REVISED | 16OCT2013 | H.W. X.X. |



RECOMMENDED BOARD DIMENSION
t=1.6
SCALE 5:1
GENERAL TOL.: ±0.1



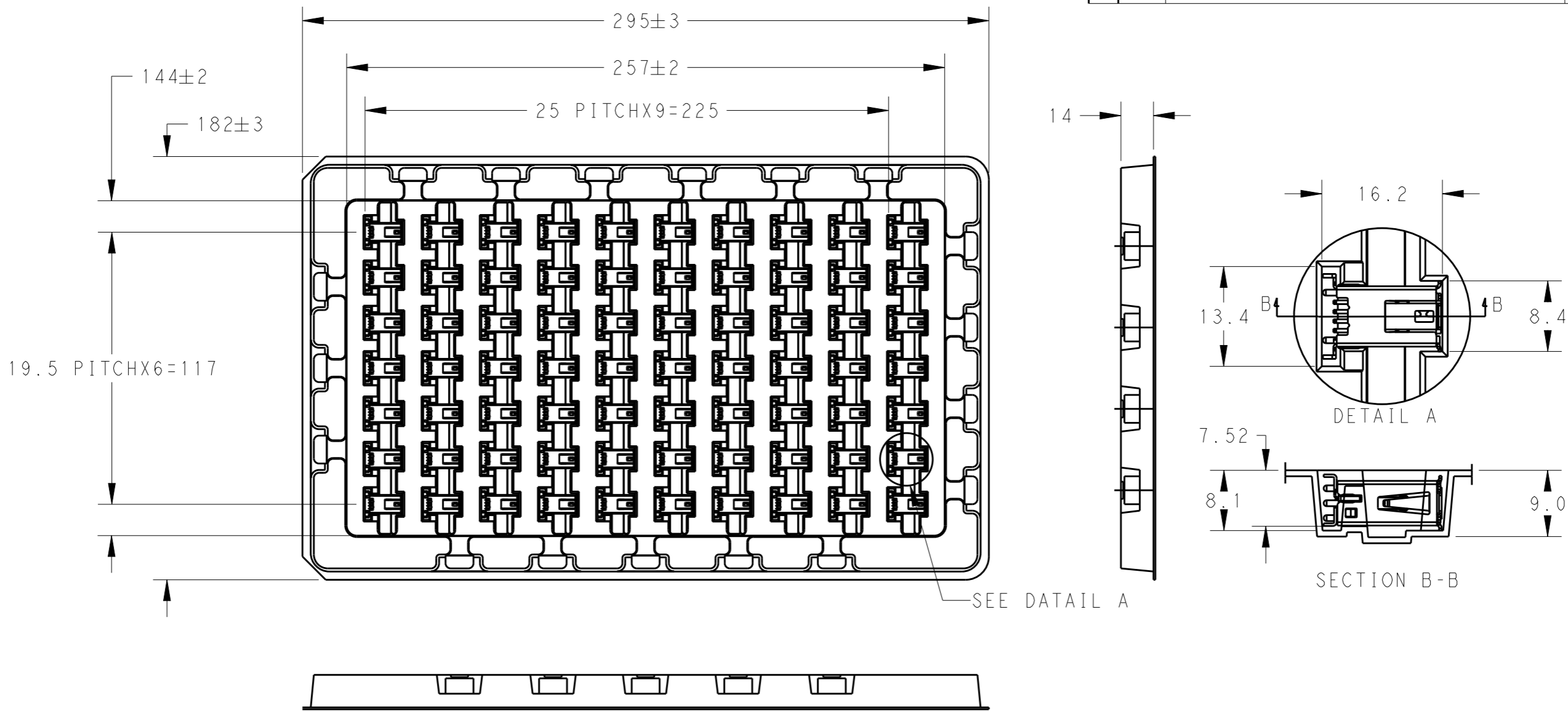
NOTES:
1 MATERIAL AND FINISH
CONTACT: COPPER ALLOY
UNDER ALL SURFACE NICKEL 1.27µm MIN.
TOP CONTACT AREA: GOLD 0.5µm MIN
SOLDERING AREA: TIN PLATE
HOUSING: THERMO PLASTIC(UL94V-0)
SHELL: COPPER ALLOY
UNDER ALL SURFACE NICKEL
TOP ALL SURFACE TIN
2 COPLANARITY 0.1 MAX
(IN 8 TIPS OF CONTACTS AND 4 PEGS OF SHELL)
3 GENERAL TOL.: ±0.3; ±5°

| 8 | TYPE II SMT RECEPTACLE WITH CAP | 1-1971885-2 |
|-----|---------------------------------|-------------|
| 8 | TYPE I SMT RECEPTACLE WITH CAP | 1-1971885-1 |
| 8 | TYPE II SMT RECEPTACLE | 1971885-2 |
| 8 | TYPE I SMT RECEPTACLE | 1971885-1 |
| POS | DESCRIPTION | PART NO |

| | | | | |
|--|--|------------------------------|--|--------------------|
| THIS DRAWING IS A CONTROLLED DOCUMENT. | | DWN 03MAR2013 HOWELL WANG | TE Connectivity | |
| DIMENSIONS: mm | | CHK 03MAR2013 DAVID WANG | | |
| TOLERANCES UNLESS OTHERWISE SPECIFIED: | | APVD 03MAR2013 PETER YIN | NAME SMT VERTICAL MINI I/O RECEPTACLE 1.27mm PITCH | |
| 0 PLC ±- | | PRODUCT SPEC 108-106087 | SIZE A3 | CAGE CODE - |
| 1 PLC ±- | | APPLICATION SPEC - | DRAWING NO C-1971885 | RESTRICTED TO - |
| 2 PLC ±- | | WEIGHT - | SCALE 4:1 SHEET 1 OF 3 REV A1 | |
| 3 PLC ±- | | Customer Drawing | | |
| 4 PLC ±- | | | | |
| ANGLES ±- | | | | |
| FINISH - | | | | |



THIS DRAWING IS UNPUBLISHED. RELEASED FOR PUBLICATION
 © COPYRIGHT - BY - ALL RIGHTS RESERVED.

| LOC | DIST | REVISIONS | | | |
|-----|------|-------------|------|-----|------|
| P | LTR | DESCRIPTION | DATE | DWN | APVD |
| - | - | SEE SHEET 1 | - | - | - |
| | | | | | |
| | | | | | |



NOTE:
 4 PACKAGE:
 70PCS PER TRAY FOR 1971885-1 & 1971885-2

| | |
|------------------|------------------------|
| PACKAGE AS SHOWN | 1971885-2 1971885-1 |
| DESCRIPTION | PART NO |

| | | | | | | | |
|---|---|------------------|-------------|---|-----------|------------|---------------|
| THIS DRAWING IS A CONTROLLED DOCUMENT. | | DWN | SEE SHEET 1 |  TE Connectivity NAME SMT VERTICAL MINI I/O RECEPTACLE 1.27mm PITCH | | | |
| DIMENSIONS: | | CHK | SEE SHEET 1 | | | | |
| mm | TOLERANCES UNLESS OTHERWISE SPECIFIED: | APVD | SEE SHEET 1 | | | | |
|  | 0 PLC ±- 1 PLC ±- 2 PLC ±- 3 PLC ±- 4 PLC ±- ANGLES ±- | PRODUCT SPEC | SEE SHEET 1 | | | | |
| MATERIAL | FINISH | APPLICATION SPEC | - | SIZE | CAGE CODE | DRAWING NO | RESTRICTED TO |
| - | - | WEIGHT | - | A3 | - | ©-1971885 | - |
| Customer Drawing | | | | SCALE | SHEET | OF | REV |
| | | | | 4:1 | 2 | 3 | A1 |

4

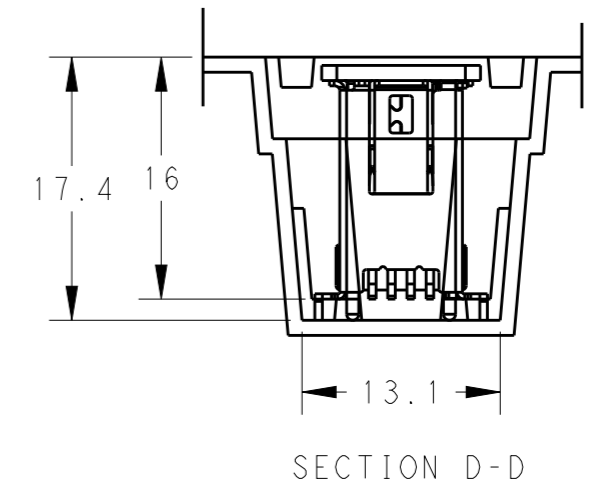
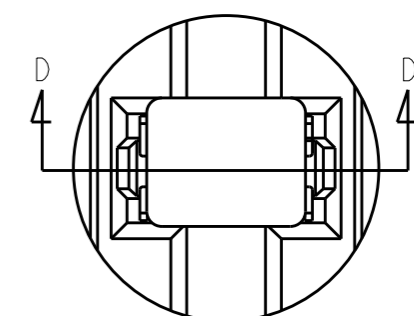
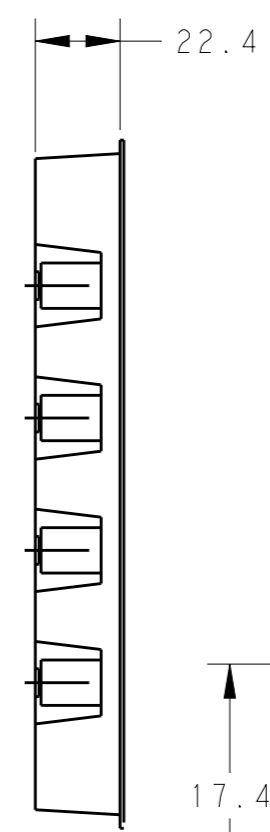
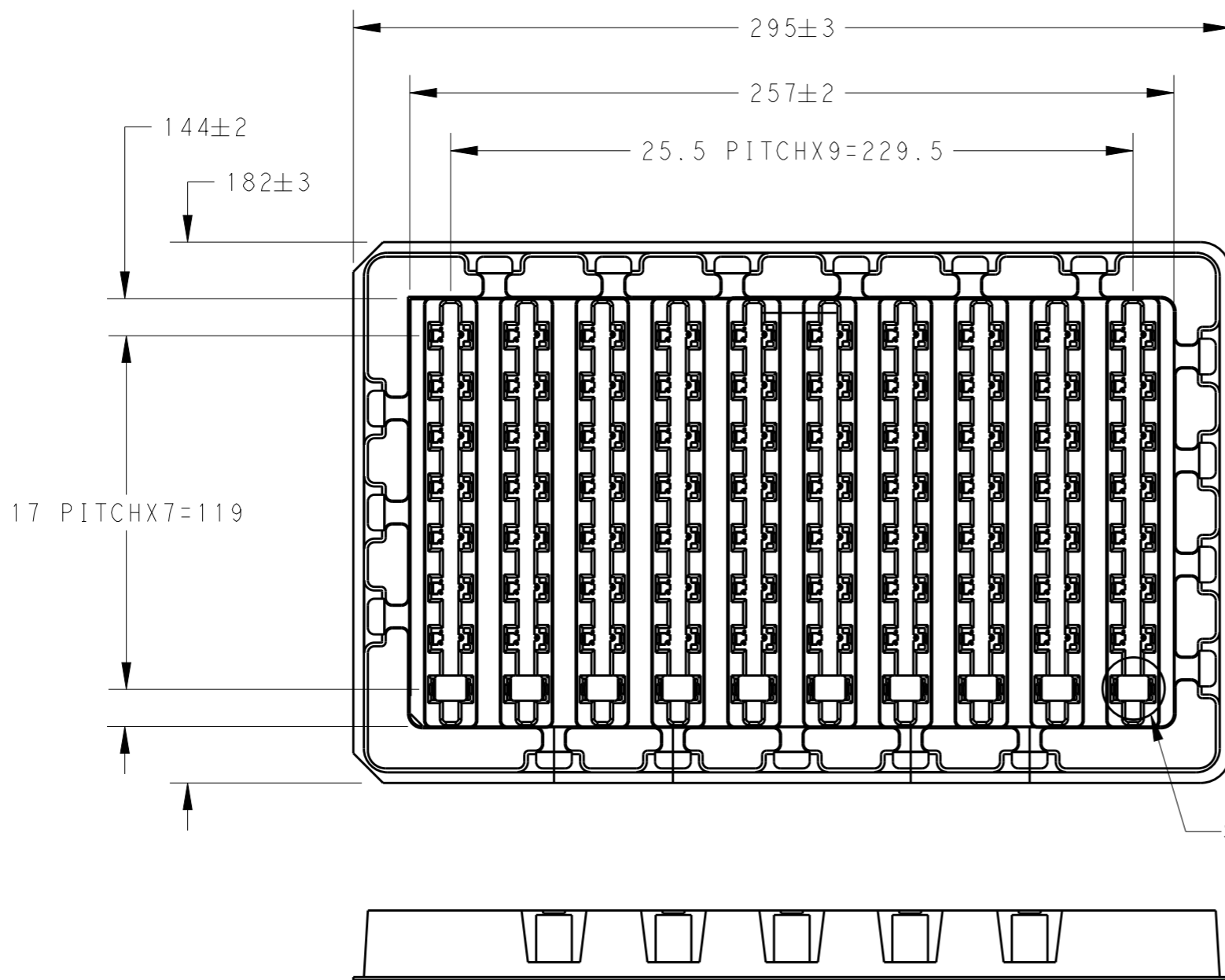
3

2

1

THIS DRAWING IS UNPUBLISHED. RELEASED FOR PUBLICATION. ALL RIGHTS RESERVED.


| LOC | DIST | REVISIONS | | | |
|-----|------|-------------|------|-----|------|
| P | LTR | DESCRIPTION | DATE | DWN | APVD |
| - | - | SEE SHEET 1 | - | - | - |



SEE DATA C

NOTE:
5 PACKAGE:
80PCS PER TRAY FOR 1-1971885-1 & 1-1971885-2

| | |
|------------------|----------------------------|
| PACKAGE AS SHOWN | 1-1971885-2 1-1971885-1 |
| DESCRIPTION | PART NO |

| | | | | | |
|---|---|------------------|-------------|--|---|
| THIS DRAWING IS A CONTROLLED DOCUMENT. | | DWN | SEE SHEET 1 |  TE Connectivity | NAME SMT VERTICAL MINI I/O RECEPTACLE 1.27mm PITCH |
| DIMENSIONS: mm | | CHK | SEE SHEET 1 | | |
| TOLERANCES UNLESS OTHERWISE SPECIFIED: | | APVD | SEE SHEET 1 | | |
| 0 PLC ± - 1 PLC ± - 2 PLC ± - 3 PLC ± - 4 PLC ± - ANGLES ± - | | PRODUCT SPEC | SEE SHEET 1 | | |
| MATERIAL | - | FINISH | - | APPLICATION SPEC | - |
| | | WEIGHT | - | SIZE | A3 |
| | | Customer Drawing | | CAGE CODE | - |
| | | | | DRAWING NO | 1971885 |
| | | | | RESTRICTED TO | - |
| | | | | SCALE | - |
| | | | | SHEET | 3 OF 3 |
| | | | | REV | A1 |

X-ON Electronics

Largest Supplier of Electrical and Electronic Components

Click to view similar products for [I/O Connectors](#) category:

Click to view products by [TE Connectivity](#) manufacturer:

Other Similar products are found below :

[571763P](#) [58098-0628](#) [D20419-211](#) [D38999/20FJ24PA L/C](#) [D38999/20FJ29SB L/C](#) [D38999/24FG11SN L/C](#) [72.250.1628.2](#) [72.250.2428.2](#)
[74720-0505](#) [76.350.0729.0](#) [76871-1403](#) [FCN-244F080-G/1](#) [FCN-260A9920](#) [FCN-268D024-G/2F#10X-R10](#) [PCS-E50FA](#) [PCS-XE26LKA](#)
[PCS-XE26MA+](#) [PCS-XES68MS+](#) [G38A71314B](#) [DX40-50P\(55\)](#) [1571250010](#) [157-22500-3](#) [MS3471L14-19P L/C](#) [1888020-8](#) [91-569786-](#)
[35H](#) [91-569786-35M](#) [91-644626-35P](#) [SM3100F14S-58S](#) [172501-4002](#) [172501-6002](#) [FCN-260C008-A/L0](#) [FCN-260C024-AL0](#) [FCN-](#)
[261Z008](#) [FCN-268D008-G/1K](#) [2000314-1](#) [200331-1](#) [2007498-2](#) [PCR-E28LMDAG1+](#) [PCR-E36FC+](#) [PCS-E28FS+](#) [PCS-XE26SLFD+](#) [PCS-](#)
[XE26SLFDT+](#) [G38A71214B](#) [HDRA-E68W1LFDTC-SL+](#) [HDR-E14MSG1+](#) [R88A-CNK81S](#) [CRT1-ATT02](#) [54182-0605](#) [U90B2054081210](#)
[UE86K842720321](#)