

4

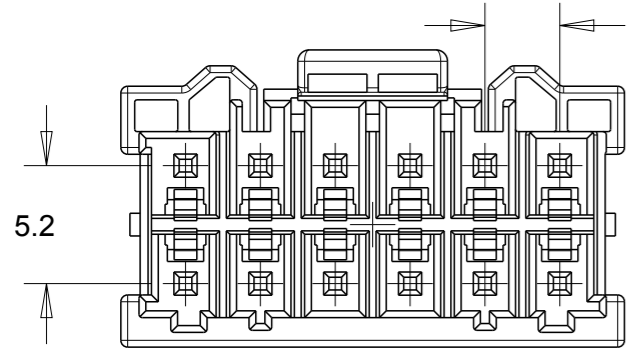
3

2

1

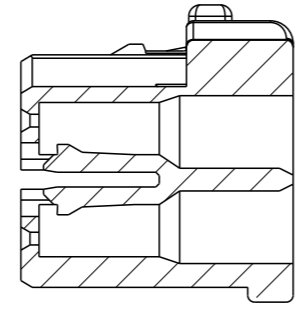
THIS DRAWING IS UNPUBLISHED. RELEASED FOR PUBLICATION 20  
 © COPYRIGHT 20 BY - ALL RIGHTS RESERVED.

LOC	DIST	REVISIONS					
		P	LTR	DESCRIPTION	DATE	DWN	APVD
-	-	C1		ECR-15-006845	04MAY2015	A.Q	D.Z

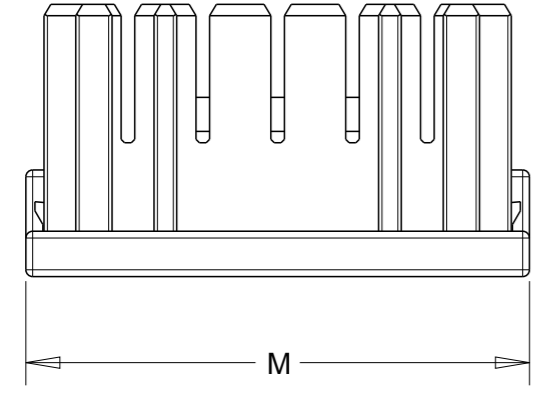


PITCH 3.3

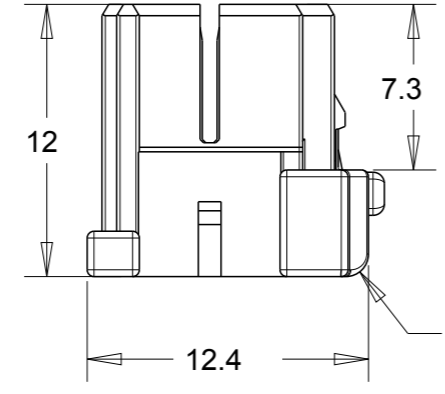
5.2



SECTION A-A



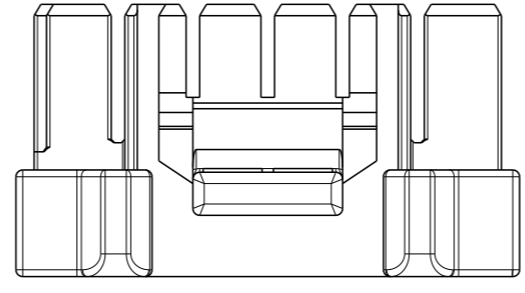
M



7.3

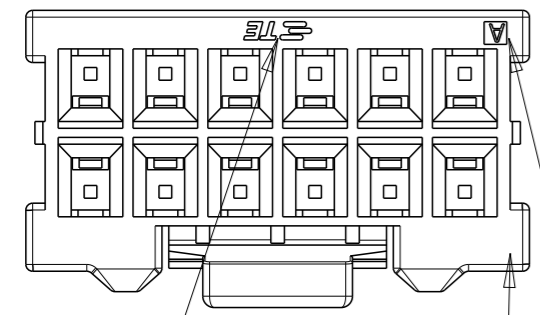
12.4

R1



NOTES:


- 1 MATERIAL: PA 66 GLASS FILLED UL94 V-0
- 2 MATING HEADER ASSEMBLY SEE TABLE
- 3. MATING REC CONTACT 1983780-1



TRADE MARK

CIRCUIT NO.

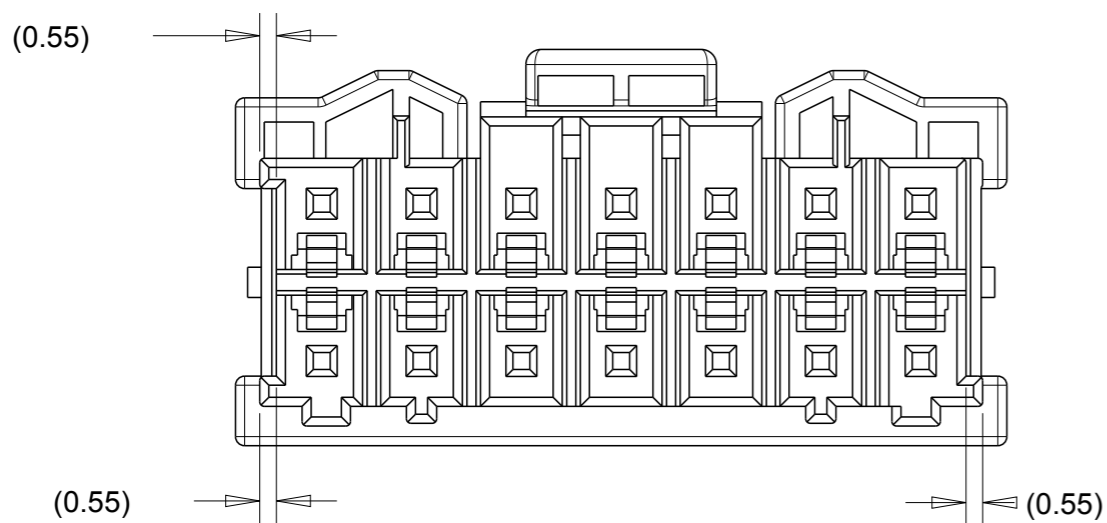
CAVITY MARK

THIS DRAWING IS A CONTROLLED DOCUMENT.		DWN HJ.Z 08NOV2013	 TE Connectivity NAME <b>NEXT GENERATION G13.3          PLUG HOUSING 2ROW</b>	
DIMENSIONS: mm		CHK TIM.D 08NOV2013		
TOLERANCES UNLESS OTHERWISE SPECIFIED:		APVD YH.MAO 08NOV2013		
0 PLC ±- 1 PLC ±0.5 2 PLC ±0.13 3 PLC ±- 4 PLC ±- ANGLES ±-		PRODUCT SPEC 108-106094		
MATERIAL 1		FINISH -	APPLICATION SPEC 114-106094	SIZE <b>A3</b>
		WEIGHT -	Customer Drawing	CAGE CODE 00779
				DRAWING NO C-1971905
				RESTRICTED TO -
				SCALE -
				SHEET 1 OF 3
				REV C1

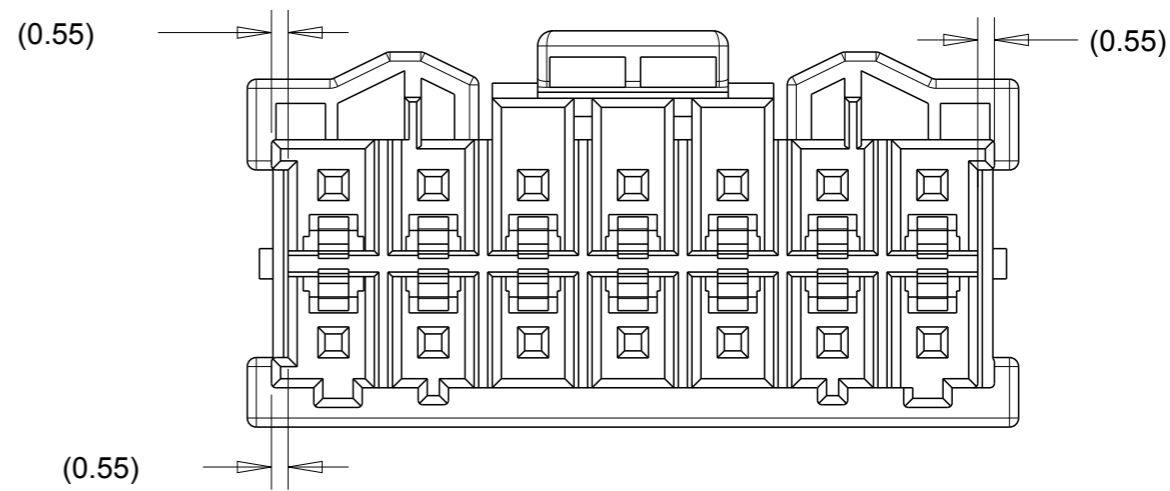
P/N	COLOR	KEYING	M	POS	P/N
4-1971906-7	YELLOW	D	25.5	14	4-1971905-7
3-1971906-7	RED	C			3-1971905-7
2-1971906-7 6-1971906-7	BLUE	B			2-1971905-7
1-1971906-7 5-1971906-7	NATURAL	A	22.2	12	1-1971905-7
4-1971906-6	YELLOW	D			4-1971905-6
3-1971906-6	RED	C			3-1971905-6
2-1971906-6	BLUE	B	18.9	10	2-1971905-6
1-1971906-6	NATURAL	A			1-1971905-6
4-1971906-5	YELLOW	D			4-1971905-5
3-1971906-5	RED	C	15.6	8	3-1971905-5
2-1971906-5	BLUE	B			2-1971905-5
1-1971906-5	NATURAL	A			1-1971905-5
4-1971906-4	YELLOW	D	12.3	6	4-1971905-4
3-1971906-4	RED	C			3-1971905-4
2-1971906-4	BLUE	B			2-1971905-4
1-1971906-4	NATURAL	A	9	4	1-1971905-4
4-1971906-3	YELLOW	D			4-1971905-3
3-1971906-3	RED	C			3-1971905-3
2-1971906-3	BLUE	B	9	4	2-1971905-3
1-1971906-3	NATURAL	A			1-1971905-3
4-1971906-2	YELLOW	D			4-1971905-2
3-1971906-2	RED	C	9	4	3-1971905-2
2-1971906-2	BLUE	B			2-1971905-2
1-1971906-2	NATURAL	A			1-1971905-2
MATING CONN P/N	COLOR	KEYING	M	POS	P/N

LOC	DIST	REVISIONS					
		P	LTR	DESCRIPTION	DATE	DWN	APVD
-	-	-	-	SEE SHEET 1	-	-	-

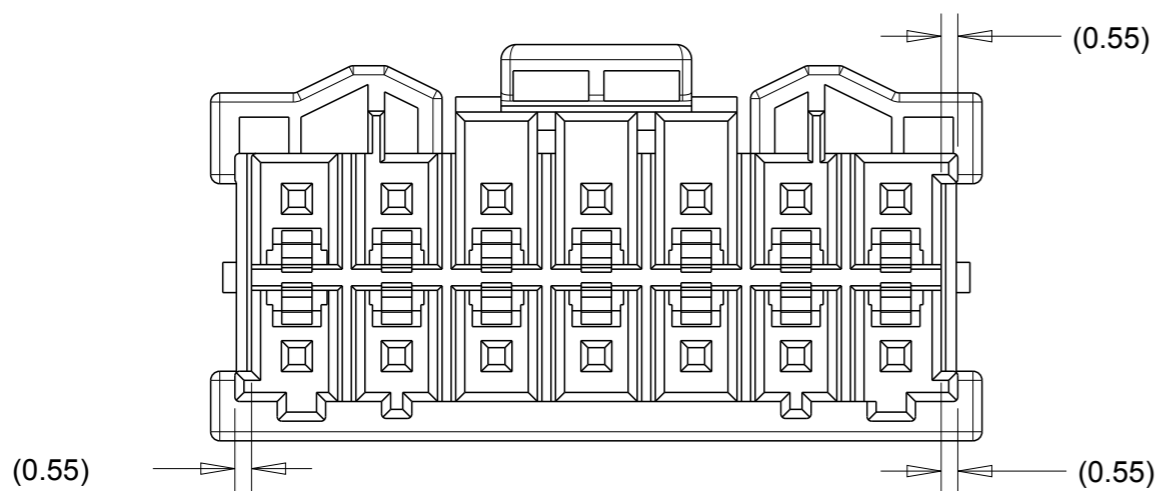
KEYING FEATURE SHOWN BY \*-1971905-7



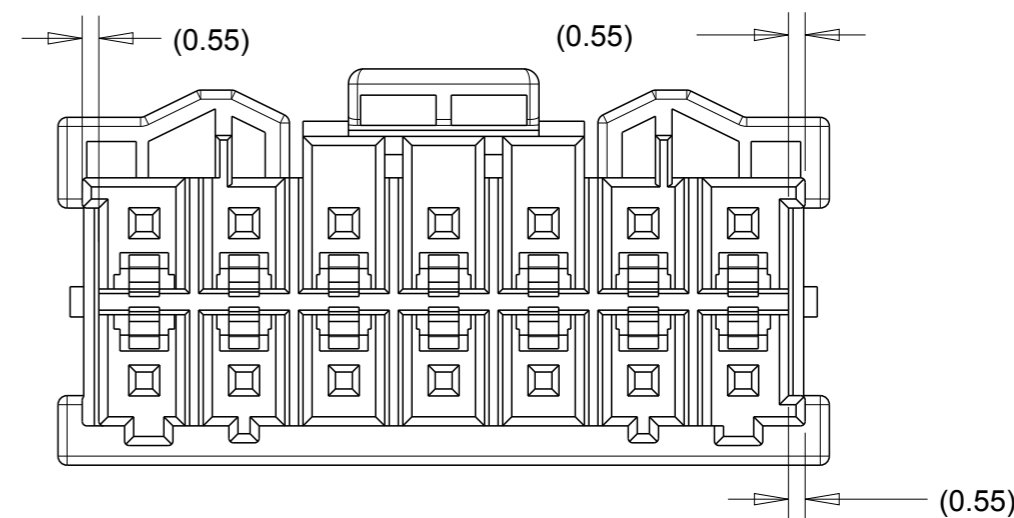
KEYING A



KEYING B



KEYING C



KEYING D

THIS DRAWING IS A CONTROLLED DOCUMENT.		DWN HJ.Z	08NOV2013		<b>TE Connectivity</b> NAME <b>NEXT GENERATION G13.3          PLUG HOUSING 2ROW</b>
DIMENSIONS: mm		CHK TIM.D	08NOV2013		
TOLERANCES UNLESS OTHERWISE SPECIFIED:		APVD YH.MAO	08NOV2013		
		PRODUCT SPEC 108-106094			
MATERIAL -		FINISH -	APPLICATION SPEC 114-106094	SIZE <b>A3</b>	CAGE CODE 00779
			WEIGHT -	DRAWING NO C-1971905	RESTRICTED TO -
Customer Drawing			SCALE -	SHEET 2 OF 3	REV C1

THIS DRAWING IS UNPUBLISHED.

RELEASED FOR PUBLICATION

20

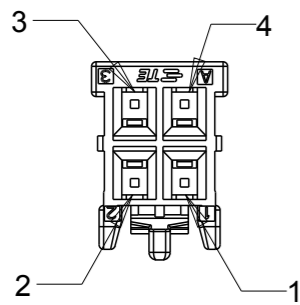
© COPYRIGHT 20 BY -

ALL RIGHTS RESERVED.

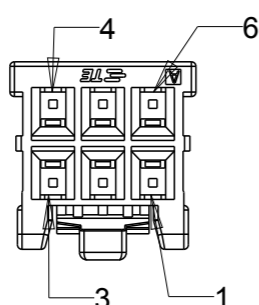
LOC	DIST	REVISIONS					
		P	LTR	DESCRIPTION	DATE	DWN	APVD
-	-	-	-	SEE SHEET 1	-	-	-

CIRCUIT NUMBER SHOWN FOR ALL P/N

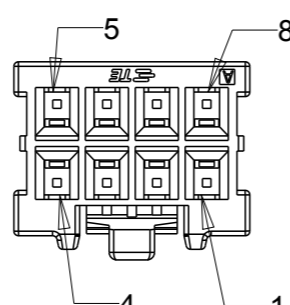
1-1971905-2 SHOWN



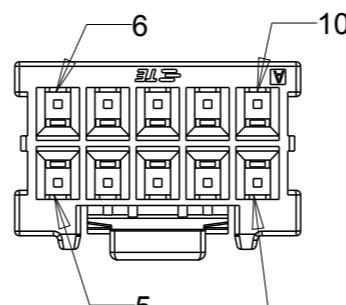
1-1971905-3 SHOWN



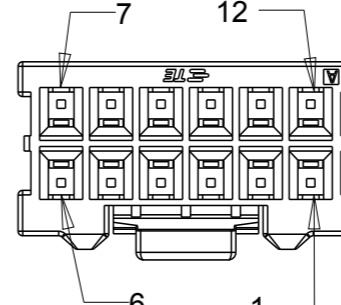
1-1971905-4 SHOWN



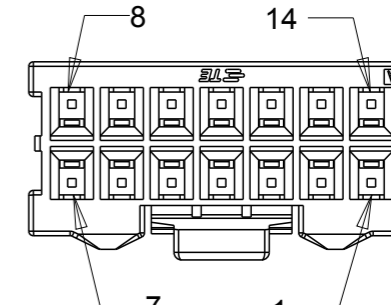
1-1971905-5 SHOWN



1-1971905-6 SHOWN



1-1971905-7 SHOWN



THIS DRAWING IS A CONTROLLED DOCUMENT.		DWN <b>ANNIE QIAN</b> 04MAY2015		
		CHK <b>ANNIE QIAN</b> 04MAY2015		
DIMENSIONS: mm		APVD <b>DANIEL ZHANG</b> 04MAY2015	NAME <b>NEXT GENERATION G13.3 PLUG HOUSING 2ROW</b>	
		PRODUCT SPEC <b>108-106094</b>	RESTRICTED TO	
TOLERANCES UNLESS OTHERWISE SPECIFIED:		APPLICATION SPEC <b>114-106094</b>	SIZE <b>A3</b>	CAGE CODE <b>-</b>
MATERIAL -		WEIGHT -	DRAWING NO <b>1971905</b>	SCALE -
FINISH -		CUSTOMER DRAWING	SHEET <b>3</b>	OF <b>3</b>
			REV <b>C1</b>	

## X-ON Electronics

Largest Supplier of Electrical and Electronic Components

*Click to view similar products for [Headers & Wire Housings](#) category:*

*Click to view products by [TE Connectivity](#) manufacturer:*

Other Similar products are found below :

[892-18-020-10-001101](#) [58102-G61-06LF](#) [582553-1](#) [0009485154](#) [009176003701906](#) [0050291907](#) [LY20-4P-DT1-P1E-BR](#) [02.125.8002.8](#)  
[609-3404](#) [61062-3](#) [61082-181009](#) [622-3653LF](#) [63453-116](#) [636-1030](#) [636-1427](#) [636-3427](#) [636-4007](#) [641938-9](#) [641991-4](#) [644827-2](#) [65817-](#)  
[010LF](#) [65817-015LF](#) [65863-015LF](#) [66207-023LF](#) [67095-007LF](#) [67601157](#) [68645-018](#) [68648-049](#) [70.362.1628.0](#) [70-4210](#) [70-4226B](#) [70-](#)  
[4853B](#) [707-5020](#) [707-5028](#) [71.350.2428.0](#) [71918-208LF](#) [71961-016LF](#) [733-134](#) [733-162](#) [754199-000](#) [760-3052](#) [787-8014-00](#) [79531-3000](#)  
[FCN-360C032-B](#) [FCN-367T-T012/H](#) [FCN-723D010/2](#) [80.063.4001.1](#) [800-90-001-10-001000](#) [800-90-010-10-002000](#) [801-43-002-10-013000](#)