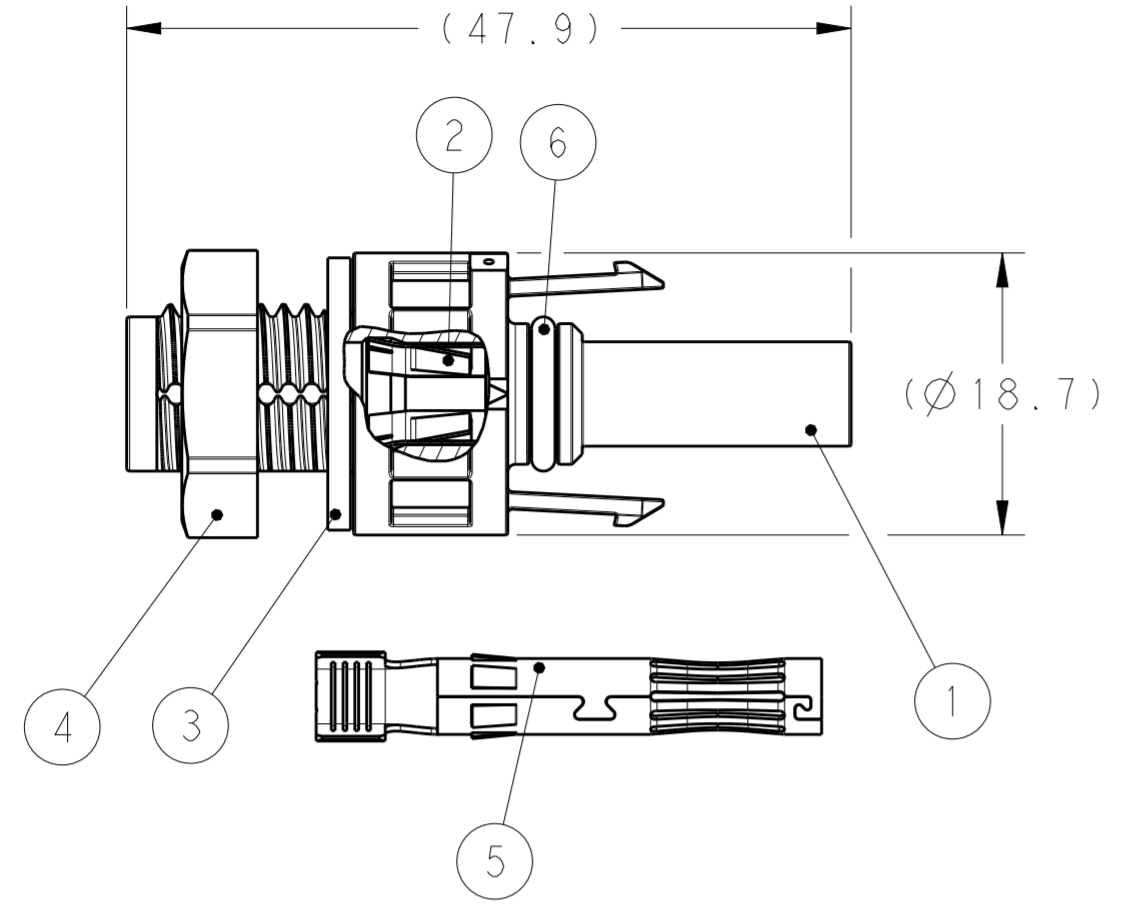
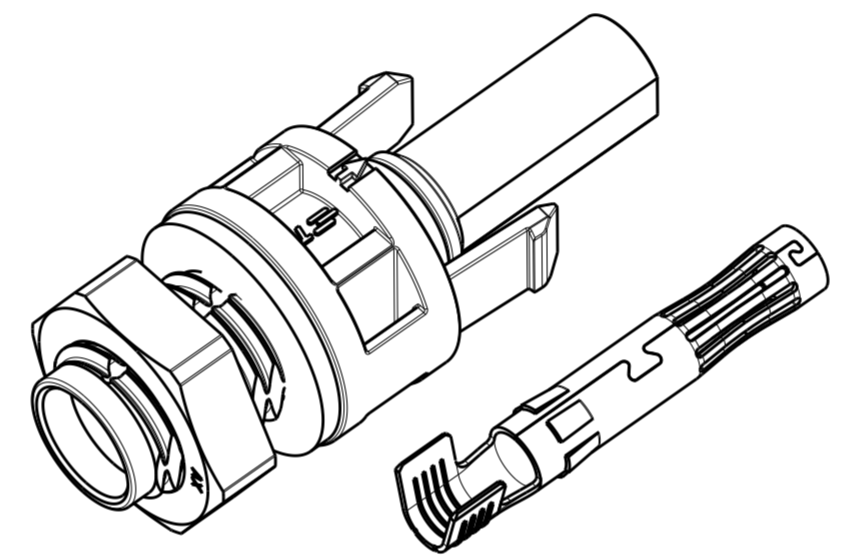
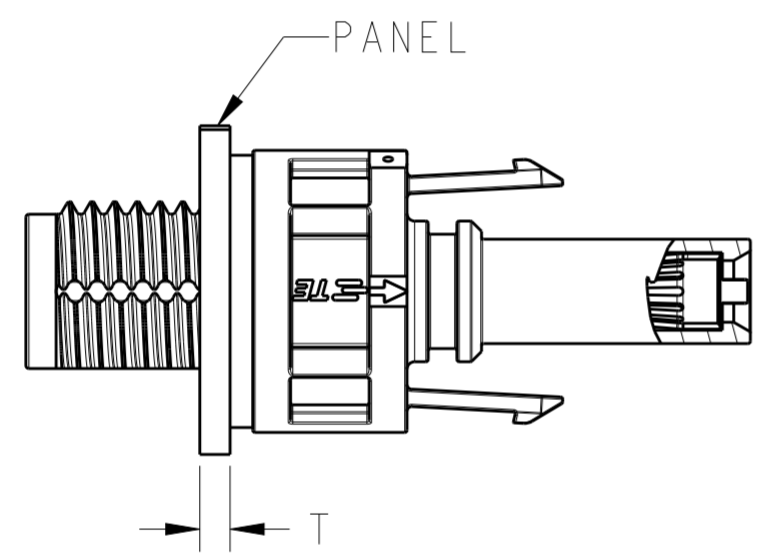


THIS DRAWING IS UNPUBLISHED. RELEASED FOR PUBLICATION 20
 © COPYRIGHT 20 TE CONNECTIVITY ALL RIGHTS RESERVED.

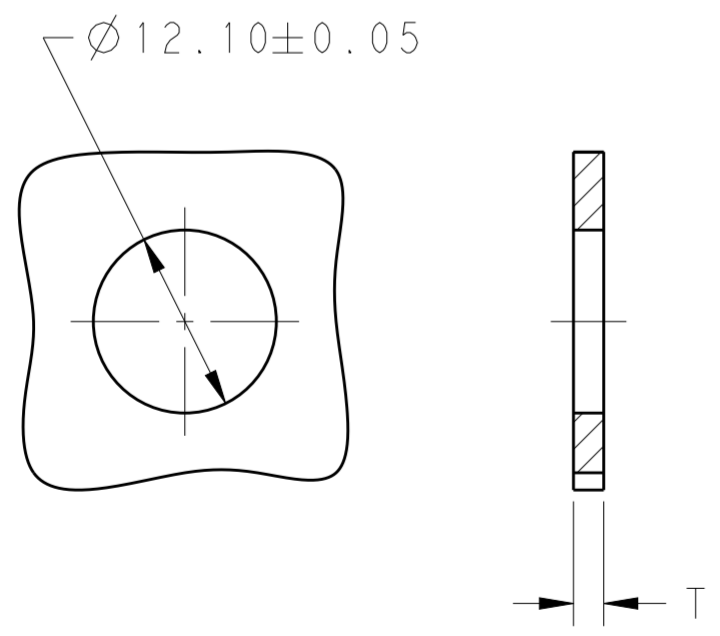
LOC		DIST		REVISIONS			
P	LTR	DESCRIPTION	DATE	DWN	APVD		
	A	ECR-14-000387	10JAN2014	LW	PY		
	A1	ECR-14-015136	10OCT2014	LW	PY		
	A2	ECR-15-005723	13APR2015	KR	TD		
	B	ECR-18-001422	26MAR2018	SG	SM		



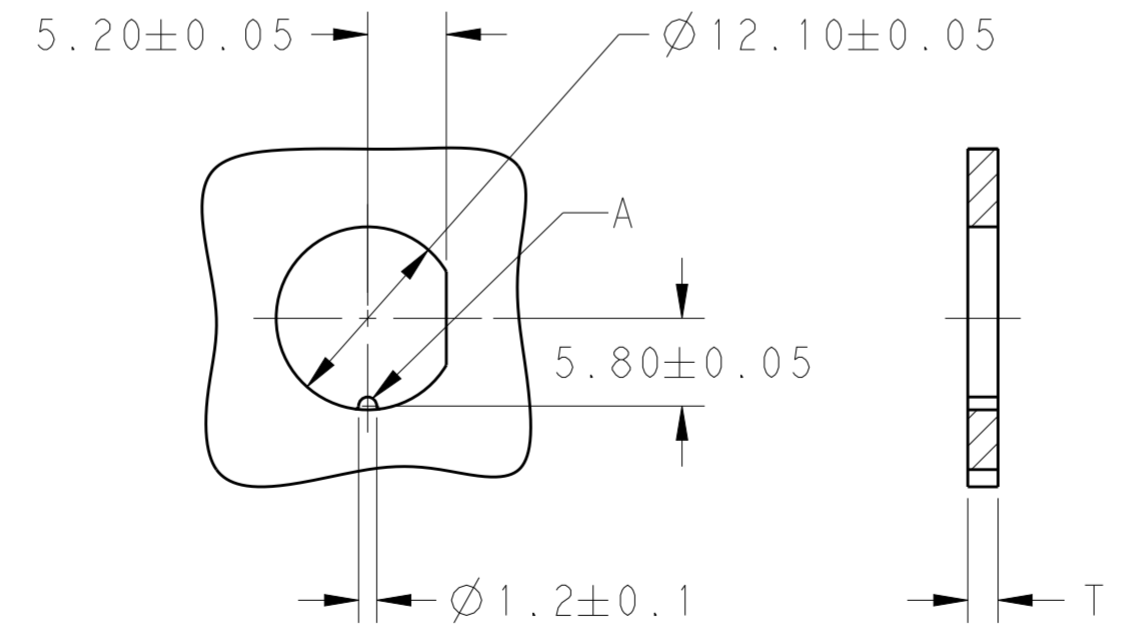
- △ 1 FLAT SEAL AND O-RING ASSEMBLED ON PIN HOUSING
- △ 2 NUT ENCLOSE LOOSELY
- △ 3 RECOMMENDED TIGHTENING TORQUE FOR NUT (ITEM NO.4) 1.0-1.2Nm WHEN ASSEMBLING AT PANEL WALL
- △ 4 USE ONLY CRIMPING TOOL OF TE CONNECTIVITY TO CRIMP CONTACT.
 - A. CRIMPING TOOL PN 6-1579014-9 WILL BE USED FOR CRIMPING THE CONTACTS HAVING WIRE SIZE 2.5mm² and 4.0mm².
 - B. CRIMPING TOOL PN 6-1579014-8 WILL BE USED FOR CRIMPING THE CONTACTS HAVING WIRE SIZE 4.0mm² and 6.0mm².



SCALE 2:1



ROUND HOLE



D HOLE

RECOMMENDED MOUNTING HOLE
 T(PANEL THICKNESS): 2-6mm
 FEATURE A DETERMINED BY CUSTOMER

QUANTITY	DESCRIPTION	ITEM
100	PACKAGING	
1-1971920-2	ORDER-NO.	
1	O-RING	6
1	SOCKET CONTACT, 2.5mm ² /14AWG	5
1	SOCKET CONTACT, 4~6mm ² /10~12AWG	5
1	NUT M12x1.5	4
1	FLAT SEAL	3
1	METAL CLIP RING	2
1	SOCKET HOUSING	1

THIS DRAWING IS A CONTROLLED DOCUMENT.

DIMENSIONS: mm	TOLERANCES UNLESS OTHERWISE SPECIFIED:	DWN: CHRIS WANG 28MAR2013	TE Connectivity
		CHK: DANIEL TAO 28MAR2013	
		APVD: PETER YIN 28MAR2013	
		NAME: SOCKET CONNECTOR KITS PV4 PANEL MOUNTED CONNECTOR	
		PRODUCT SPEC: 108-106122	RESTRICTED TO: -
		APPLICATION SPEC: 114-106122	SIZE: A2 CAGE CODE: 00779 DRAWING NO: C-1971920
MATERIAL: -		WEIGHT: -	SCALE: 2:1 SHEET 1 OF 1 REV B

Customer Drawing

X-ON Electronics

Largest Supplier of Electrical and Electronic Components

Click to view similar products for [Solar Connectors / Photovoltaic Connectors](#) category:

Click to view products by [TE Connectivity](#) manufacturer:

Other Similar products are found below :

[1740699-7](#) [1971861-4](#) [1971131-4](#) [1971858-3](#) [1971861-3](#) [PV-090508-F03](#) [PV-090508-M10](#) [PV-090510-F03](#) [PV-CM-S 2 5-6 \(-\)](#) [2270184-3](#)
[2270154-2](#) [2270226-4](#) [PV-090508-M06-N](#) [1987558-2](#) [PV-090506-F03](#) [UTXPM](#) [UTXPF](#) [UTXCMB6AM](#) [1627092](#) [1017635](#) [1017636](#) [1-](#)
[2306314-1](#) [1-2306314-2](#) [1302440201](#) [2-1971862-2](#) [H4CMC6DM](#) [1705996](#) [1705995](#) [1971858-2](#) [5-2306317-2](#) [1704926](#) [H4CFC4DIS](#)
[H4CMC4DC](#) [H4CFC4DC](#) [H4CMC4DM](#) [H4CFC4DM](#) [H4CFC6DM](#) [H4CFM2DI](#) [H4CFM6DI](#) [H4CMC2DI](#) [H4CMC8DM](#) [H4CMM6DI](#)
[H4CMC4DMS](#) [H4CMC4DIS](#) [H4PF](#) [H4PM](#) [PWJ-03BMMB-LL8001](#) [UTXCFA0AM](#) [UTXCFA4BMH](#) [UTXCMA0AM](#)