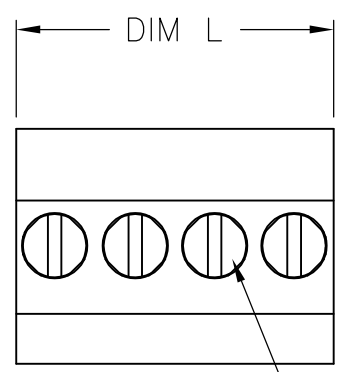


THIS DRAWING IS UNPUBLISHED. RELEASED FOR PUBLICATION
 © COPYRIGHT BY TYCO ELECTRONICS CORPORATION. ALL RIGHTS RESERVED.

| LOC | DIST | REVISIONS | | | |
|-----|------|-------------|---------------------------|---------|--------|
| P | LTR | DESCRIPTION | DATE | DWN | APVD |
| — | — | A | REVISED PER ECO-09-014471 | 18JUN09 | HMR CR |

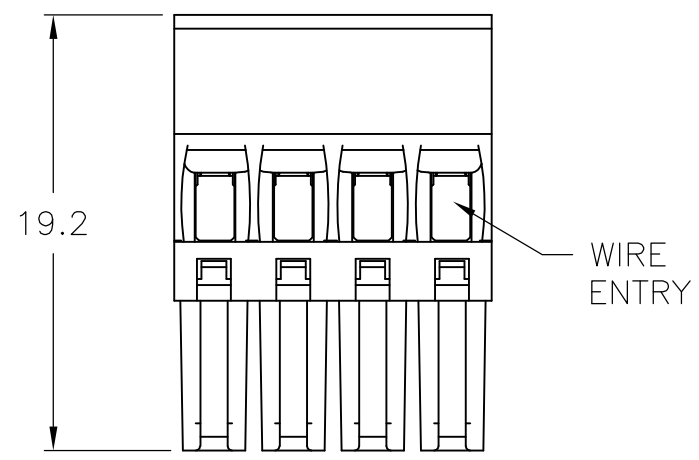


CLAMPING SCREW

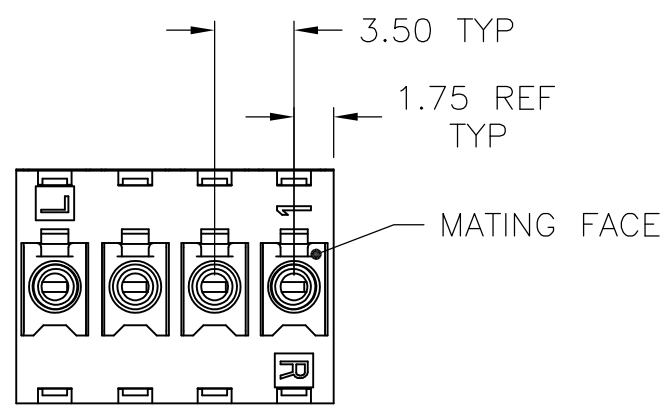
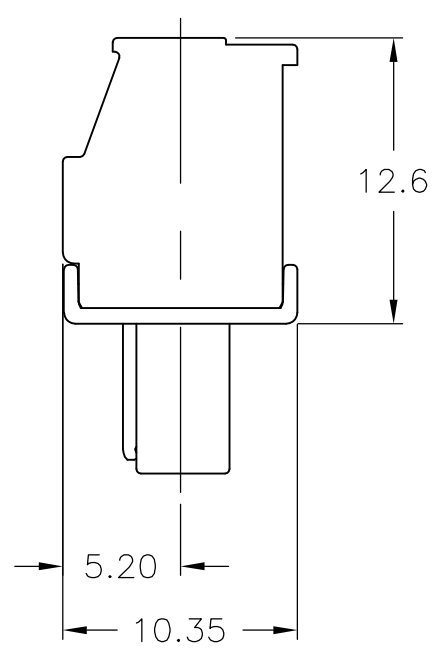
MATERIALS AND FINISH:
 HOUSING: PA 6-6, UL94V-0, COLOR: GREEN.
 CLAMP: BRASS, NICKEL PLATED.
 CONTACT SPRING: PHOSPHOR BRONZE, TIN PLATED.
 CLAMPING SCREW: M2, BRASS, NICKEL PLATED.

ELECTRICAL:
 VOLTAGE RATING: 300V
 CURRENT RATING: 11A
 WIRE SIZE RANGE: 14-30 AWG

ENVIRONMENTAL:
 OPERATING TEMP RANGE: -40°C TO +110°C



WIRE ENTRY



MATING FACE

| | | |
|-------|-----------|-------------|
| 56.0 | 16 | 1-1986370-6 |
| 52.5 | 15 | 1-1986370-5 |
| 49.0 | 14 | 1-1986370-4 |
| 45.5 | 13 | 1-1986370-3 |
| 42.0 | 12 | 1-1986370-2 |
| 38.5 | 11 | 1-1986370-1 |
| 35.0 | 10 | 1-1986370-0 |
| 31.5 | 9 | 1986370-9 |
| 28.0 | 8 | 1986370-8 |
| 24.5 | 7 | 1986370-7 |
| 21.0 | 6 | 1986370-6 |
| 17.5 | 5 | 1986370-5 |
| 14.0 | 4 | 1986370-4 |
| 10.5 | 3 | 1986370-3 |
| 7.0 | 2 | 1986370-2 |
| DIM L | NO OF POS | PART NUMBER |

| | | | | |
|--|--|--------------------------|--|-----------------|
| THIS DRAWING IS A CONTROLLED DOCUMENT. | | DWN S SCHLEGEL 17MAR2008 | Tyco Electronics Corporation Harrisburg, PA 17105-3608 | |
| DIMENSIONS: mm | TOLERANCES UNLESS OTHERWISE SPECIFIED: | CHK C RICHARD 3/17/08 | NAME TERMINAL BLOCK, PLUG, VERTICAL STACKING, RIGHT HAND, 3.50mm PITCH | |
| | 0 PLC ± - | APVD C RICHARD 3/17/08 | PRODUCT SPEC | |
| | 1 PLC ± 0.3 | | APPLICATION SPEC | |
| | 2 PLC ± 0.25 | | SIZE A3 | CAGE CODE 00779 |
| | 3 PLC ± - | | DRAWING NO | G-1986370 |
| | 4 PLC ± - | | RESTRICTED TO | |
| | ANGLES ± 2' | | | |
| MATERIAL - | FINISH - | WEIGHT - | | |
| CUSTOMER DRAWING | | | SCALE NTS | SHEET 1 OF 1 |
| | | | REV A | |

X-ON Electronics

Largest Supplier of Electrical and Electronic Components

Click to view similar products for [Pluggable Terminal Blocks](#) category:

Click to view products by [TE Connectivity](#) manufacturer:

Other Similar products are found below :

[57.510.0053](#) [MC 1.5/ 6-ST-3.5 GY AU](#) [ET02015000J0G](#) [734-104](#) [734-302](#) [8-141-P](#) [8426620000](#) [860505](#) [860516](#) [860810](#) [GBPACX-12](#)
[PV05-5,08-K](#) [PVP02-5,00](#) [PVP03-3,50](#) [PVP04-3,50](#) [PVS02-5,00](#) [1-1986160-3](#) [1377680000](#) [1531000000](#) [1546228-5](#) [ELFH16150](#)
[ELFP03110](#) [ELFP10210](#) [ELFT06250](#) [ELVP03100](#) [1700101](#) [1700410](#) [1700425](#) [1702246](#) [1705229](#) [1710175](#) [1714537](#) [1717806](#) [1719600](#)
[1728941](#) [1734692](#) [1734795](#) [1736036](#) [1740194](#) [1740628](#) [1740990](#) [1746952](#) [1750207](#) [1752441](#) [1752865](#) [1754115](#) [1754144](#) [1756913](#)
[1760051](#) [1760336](#)