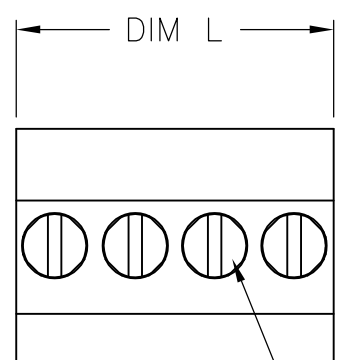


THIS DRAWING IS UNPUBLISHED. RELEASED FOR PUBLICATION
 © COPYRIGHT BY TYCO ELECTRONICS CORPORATION. ALL RIGHTS RESERVED.

LOC	DIST	REVISIONS			
P	LTR	DESCRIPTION	DATE	DWN	APVD
—	—	A	REVISED PER ECO-09-014471	18JUN09	HMR CR

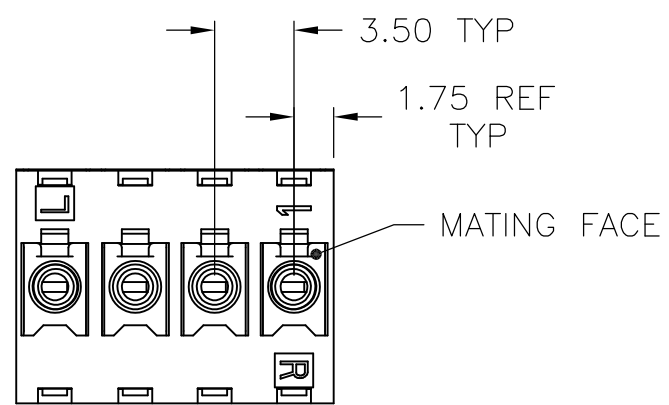
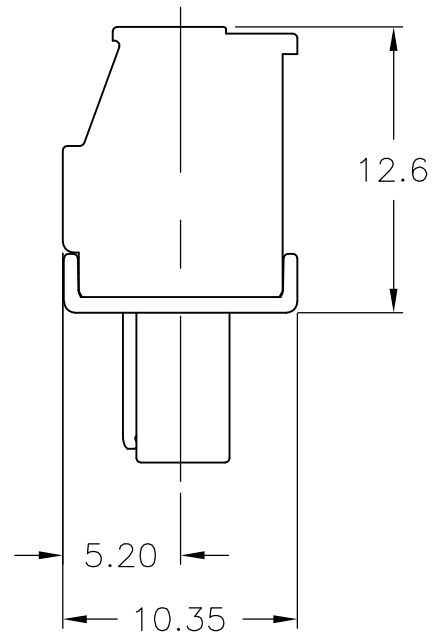
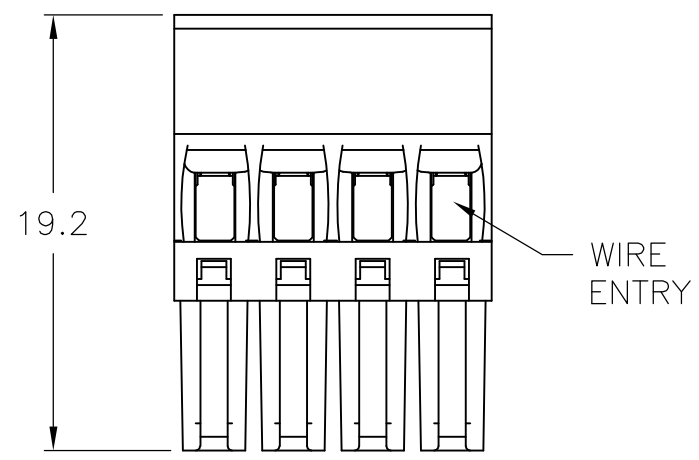


CLAMPING SCREW

MATERIALS AND FINISH:
 HOUSING: PA 6-6, UL94V-0, COLOR: GREEN.
 CLAMP: BRASS, NICKEL PLATED.
 CONTACT SPRING: PHOSPHOR BRONZE, TIN PLATED.
 CLAMPING SCREW: M2, BRASS, NICKEL PLATED.

ELECTRICAL:
 VOLTAGE RATING: 300V
 CURRENT RATING: 11A
 WIRE SIZE RANGE: 14-30 AWG

ENVIRONMENTAL:
 OPERATING TEMP RANGE: -40°C TO +110°C



56.0	16	1-1986370-6
52.5	15	1-1986370-5
49.0	14	1-1986370-4
45.5	13	1-1986370-3
42.0	12	1-1986370-2
38.5	11	1-1986370-1
35.0	10	1-1986370-0
31.5	9	1986370-9
28.0	8	1986370-8
24.5	7	1986370-7
21.0	6	1986370-6
17.5	5	1986370-5
14.0	4	1986370-4
10.5	3	1986370-3
7.0	2	1986370-2
DIM L	NO OF POS	PART NUMBER

THIS DRAWING IS A CONTROLLED DOCUMENT.		DWN S SCHLEGEL 17MAR2008	Tyco Electronics Corporation Harrisburg, PA 17105-3608	
DIMENSIONS: mm	TOLERANCES UNLESS OTHERWISE SPECIFIED:	CHK C RICHARD 3/17/08	NAME TERMINAL BLOCK, PLUG, VERTICAL STACKING, RIGHT HAND, 3.50mm PITCH	
	0 PLC ± - 1 PLC ± 0.3 2 PLC ± 0.25 3 PLC ± - 4 PLC ± - ANGLES ± 2'	APVD C RICHARD 3/17/08	PRODUCT SPEC	
MATERIAL -	FINISH -	APPLICATION SPEC -	SIZE A3	CAGE CODE 00779
		WEIGHT -	DRAWING NO C-1986370	RESTRICTED TO -
CUSTOMER DRAWING			SCALE NTS	SHEET 1 OF 1
			REV A	

X-ON Electronics

Largest Supplier of Electrical and Electronic Components

Click to view similar products for [Pluggable Terminal Blocks](#) category:

Click to view products by [TE Connectivity](#) manufacturer:

Other Similar products are found below :

[57.510.0053](#) [MC 1.5/ 6-ST-3.5 GY AU](#) [ET02015000J0G](#) [734-104](#) [734-302](#) [8-141-P](#) [8426620000](#) [860505](#) [860516](#) [860810](#) [GBPACX-12](#)
[93.731.4953.0](#) [PV05-5,08-K](#) [PVP03-3,50](#) [PVP04-3,50](#) [PVS02-5,00](#) [1-1986160-3](#) [1377680000](#) [1531000000](#) [1546228-5](#) [ELFH16150](#)
[ELFP03110](#) [ELFP10210](#) [ELFT06250](#) [ELVP03100](#) [1700101](#) [1700410](#) [1700425](#) [1702246](#) [1705229](#) [1710175](#) [1714537](#) [1717806](#) [1719600](#)
[1728941](#) [1734692](#) [1734795](#) [1736036](#) [1740194](#) [1740628](#) [1740990](#) [1746952](#) [1750207](#) [1752441](#) [1752865](#) [1754115](#) [1754144](#) [1756913](#)
[1760051](#) [1760336](#)