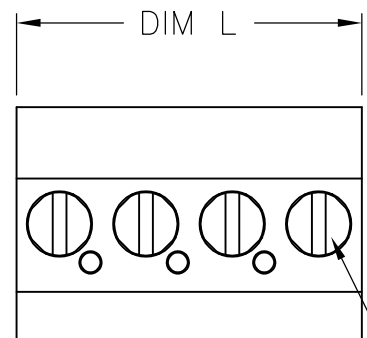


THIS DRAWING IS UNPUBLISHED. RELEASED FOR PUBLICATION  
 © COPYRIGHT BY TYCO ELECTRONICS CORPORATION. ALL RIGHTS RESERVED.

LOC	DIST	REVISIONS			
P	LTR	DESCRIPTION	DATE	DWN	APVD
—	—	A	REVISED PER ECO-09-014471	18JUN09	HMR CR

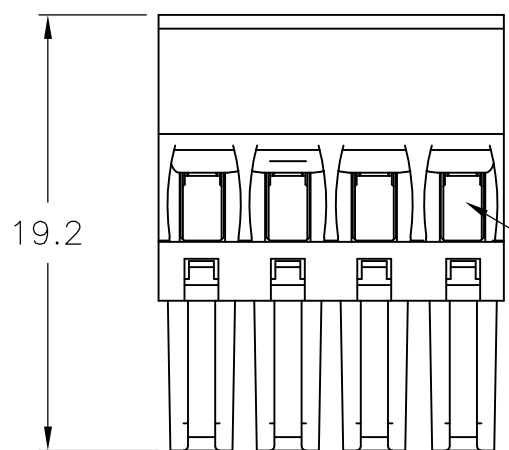


CLAMPING SCREW

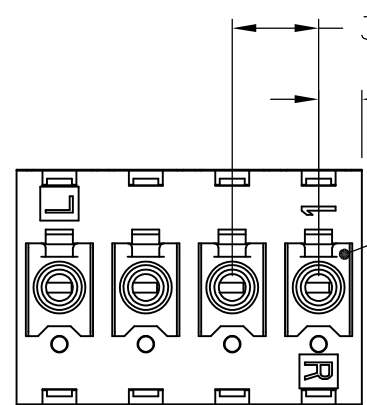
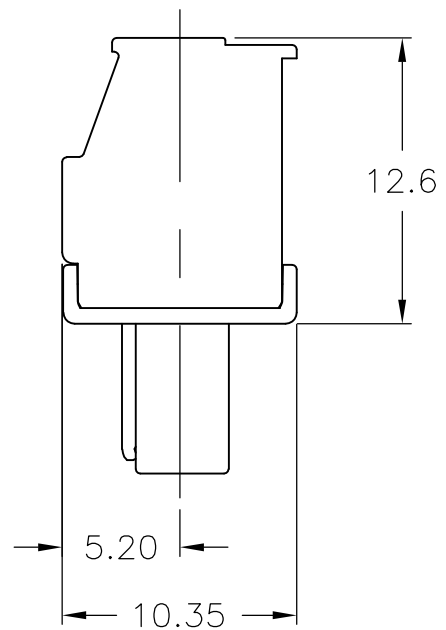
MATERIALS AND FINISH:  
 HOUSING: PA 6-6, UL94V-0, COLOR: GREEN.  
 CLAMP: BRASS, NICKEL PLATED.  
 CONTACT SPRING: PHOSPHOR BRONZE, TIN PLATED.  
 CLAMPING SCREW: M2, BRASS, NICKEL PLATED.

ELECTRICAL:  
 VOLTAGE RATING: 300V  
 CURRENT RATING: 11A  
 WIRE SIZE RANGE: 14-30 AWG

ENVIRONMENTAL:  
 OPERATING TEMP RANGE: -40°C TO +110°C



WIRE ENTRY



MATING FACE

60.96	16	1-1986374-6
57.15	15	1-1986374-5
53.34	14	1-1986374-4
49.53	13	1-1986374-3
45.72	12	1-1986374-2
41.91	11	1-1986374-1
38.10	10	1-1986374-0
34.29	9	1986374-9
30.48	8	1986374-8
26.67	7	1986374-7
22.86	6	1986374-6
19.05	5	1986374-5
15.24	4	1986374-4
11.43	3	1986374-3
7.62	2	1986374-2
DIM L	NO OF POS	PART NUMBER

THIS DRAWING IS A CONTROLLED DOCUMENT.		DWN S SCHLEGEL 17MAR2008	Tyco Electronics Corporation Harrisburg, PA 17105-3608	
DIMENSIONS: mm	TOLERANCES UNLESS OTHERWISE SPECIFIED:	CHK C RICHARD 3/17/08	NAME TERMINAL BLOCK, PLUG, VERTICAL STACKING, RIGHT HAND, 3.81mm PITCH	
	0 PLC ± -	APVD C RICHARD 3/17/08	PRODUCT SPEC	
	1 PLC ± 0.3		APPLICATION SPEC	
	2 PLC ± 0.25		SIZE	CAGE CODE
	3 PLC ± -		A3	00779
	4 PLC ± -		DRAWING NO	C-1986374
	ANGLES ± 2'		RESTRICTED TO	
MATERIAL -	FINISH -	WEIGHT -	SCALE NTS SHEET 1 OF 1 REV A	
CUSTOMER DRAWING				

## X-ON Electronics

Largest Supplier of Electrical and Electronic Components

*Click to view similar products for [Pluggable Terminal Blocks](#) category:*

*Click to view products by [TE Connectivity](#) manufacturer:*

Other Similar products are found below :

[57.510.0053](#) [MC 1.5/ 6-ST-3.5 GY AU](#) [734-104](#) [734-302](#) [8-141-P](#) [8426620000](#) [860505](#) [860516](#) [860810](#) [GBPACX-12](#) [93.731.4953.0](#) [PV05-5,08-K](#) [PVP02-5,00](#) [PVP03-3,50](#) [PVP04-3,50](#) [PVS02-5,00](#) [1-1986160-3](#) [1377680000](#) [1531000000](#) [1546228-5](#) [ELFH16150](#) [ELFP03110](#) [ELFP10210](#) [ELFT06250](#) [ELVP03100](#) [1700101](#) [1700410](#) [1700425](#) [1702246](#) [1705229](#) [1710175](#) [1714537](#) [1717806](#) [1719600](#) [1728941](#) [1734692](#) [1734795](#) [1736036](#) [1740194](#) [1740291](#) [1740628](#) [1740990](#) [1746952](#) [1750207](#) [1752441](#) [1752865](#) [1754115](#) [1754144](#) [1756913](#) [1760051](#)