

THIS DRAWING IS UNPUBLISHED.

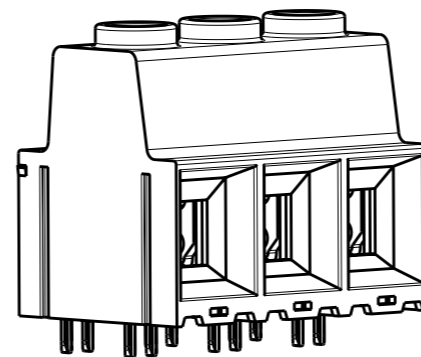
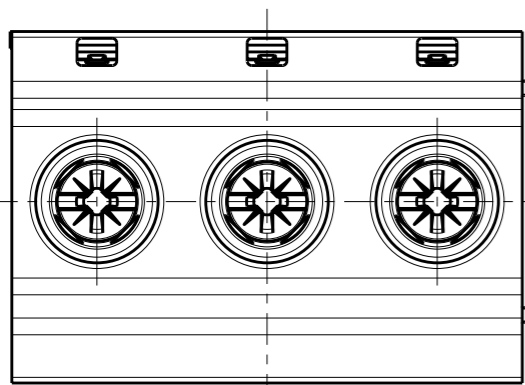
RELEASED FOR PUBLICATION

2011

© COPYRIGHT 2011

ALL RIGHTS RESERVED.

LOC	DIST	REVISIONS			
P	LTR	DESCRIPTION	DATE	DWN	APVD
AI	-	B	REVISED PER ECO-12-005569	22MAR2012	HRY MS

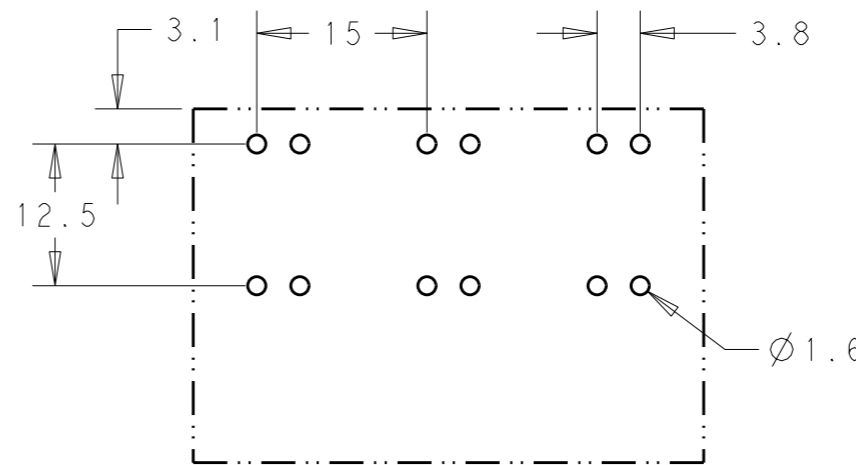
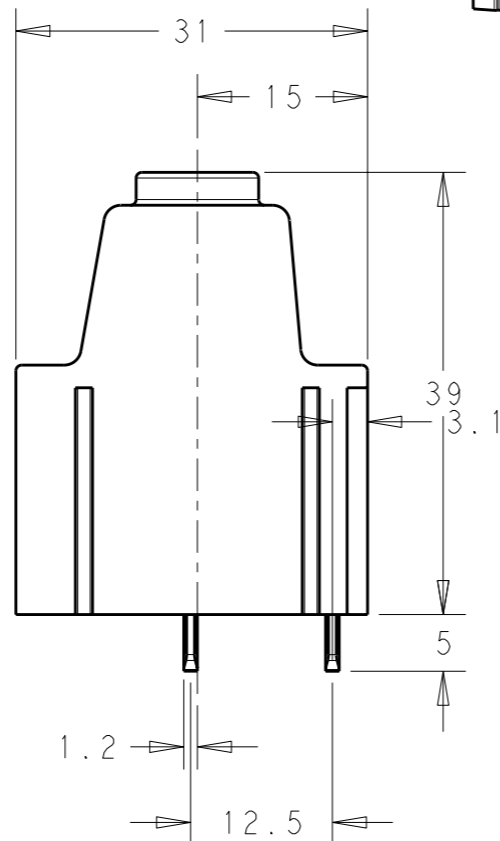
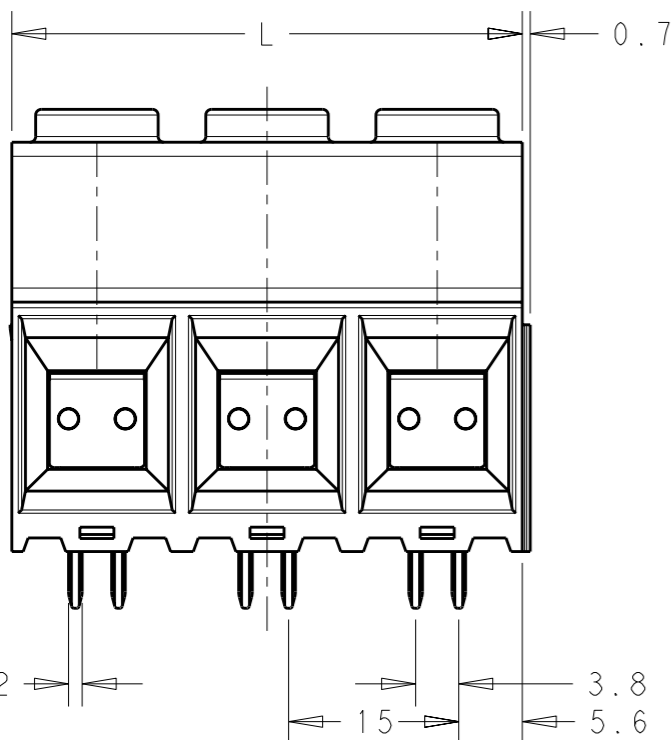


SCALE 1:1
-3 AS SHOWN

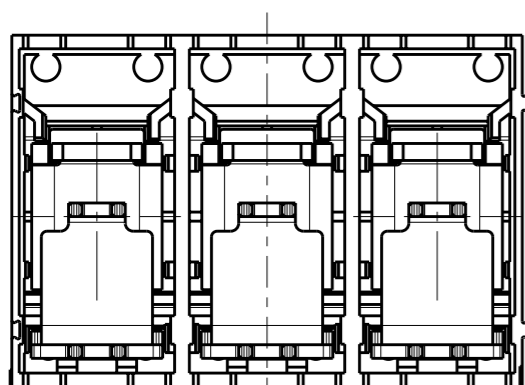
MATERIALS:
 HOUSING-POLYAMIDE, COLOR-GREEN
 SCREW- M5,NICKEL PLATED STEEL.
 CLAMP- TIN PLATED STEEL.
 PIN-TIN OVER NICKEL PLATED COPPER ALLOY.


MECHANICAL:
 PCB THICKNESS-2.40 MAX
 PCB HOLE DIAMETER-1.60 MIN
 STRIP LENGTH-18 MM
 OPERATING TEMPERATURE--40°C TO +110°C
 TORQUE-2.1~2.5 Nm

ELECTRICAL:
 WIRE RANGE- 20 TO 1 AWG
 VOLTAGE RATING- 600 VOLTS
 CURRENT RATING-130 AMP FIELD WIRING; 135 AMP FACTORY WIRING
 CONTACT RESISTANCE-15 MILLOHM MAX
 INSULATION RESISTANCE-10⁹ OHMS MIN (500V DC)



180.00	12	1-1986713-2
165.00	11	1-1986713-1
150.00	10	1-1986713-0
135.00	9	1986713-9
120.00	8	1986713-8
105.00	7	1986713-7
90.00	6	1986713-6
75.00	5	1986713-5
60.00	4	1986713-4
45.00	3	1986713-3
30.00	2	1986713-2
DIM L	POLE	PART NUMBER



THIS DRAWING IS A CONTROLLED DOCUMENT.		DWN 12SEP2011 RAGHAVENDRA	 TE Connectivity	
DIMENSIONS: mm		CHK 12SEP2011 SARVER MICHAEL		
TOLERANCES UNLESS OTHERWISE SPECIFIED:		APVD 12SEP2011 SARVER MICHAEL	NAME POWER TERMINAL BLOCK, SOLDERABLE UP TO 275DEG C DOUBLE PIN MODULAR 02 - 12 POLES PITCH 15.00mm	
0 PLC ±- 1 PLC ±0.50 2 PLC ±0.25 3 PLC ±- 4 PLC ±- ANGLES ±1°		PRODUCT SPEC	SIZE CAGE CODE DRAWING NO RESTRICTED TO	
MATERIAL - FINISH -		APPLICATION SPEC	A300779 C-1986713	
		WEIGHT -	SCALE 1:1 SHEET 1 OF 1 REV B	
		CUSTOMER DRAWING		

X-ON Electronics

Largest Supplier of Electrical and Electronic Components

Click to view similar products for [Fixed Terminal Blocks](#) category:

Click to view products by [TE Connectivity](#) manufacturer:

Other Similar products are found below :

[MBE-1512](#) [MBE-154](#) [MBE-156](#) [MBES-153](#) [MBES-156](#) [MH-2512](#) [MHE-132](#) [MHE-163](#) [MI-254 \(35\)](#) [MI-272](#) [880507](#) [MPT-275](#)
[15602-04-08-21](#) [BA311TU](#) [BA411SU](#) [MV-152](#) [MV-252-D](#) [MV-253/NCNOC](#) [MV-254-D](#) [MV-255](#) [MV-462](#) [MV-493](#) [MVE-252](#) [MVE-253](#)
[MVE-273](#) [MVEB-153](#) [1700096](#) [1705142](#) [1712417](#) [1713020](#) [1713088](#) [1745195](#) [1760594](#) [1776118-2](#) [1790852](#) [1-796689-8](#) [1-796692-6](#)
[1800001](#) [1800114](#) [1995279](#) [20020314-C121B01LF](#) [20020316-G041B01LF](#) [CB2-12](#) [KP03215000J0G](#) [KP04215000J0G](#) [S451](#) [282802-2](#)
[29.007](#) [29.116](#) [30.103](#)