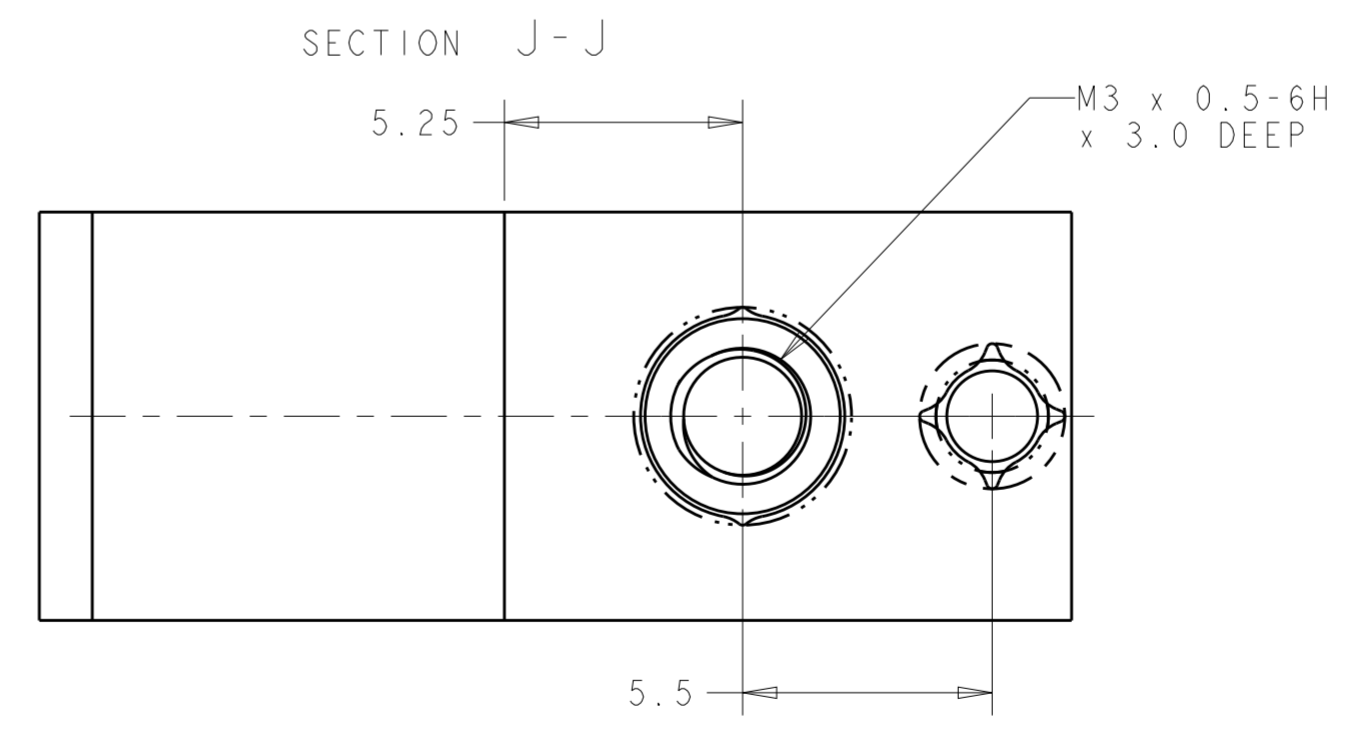
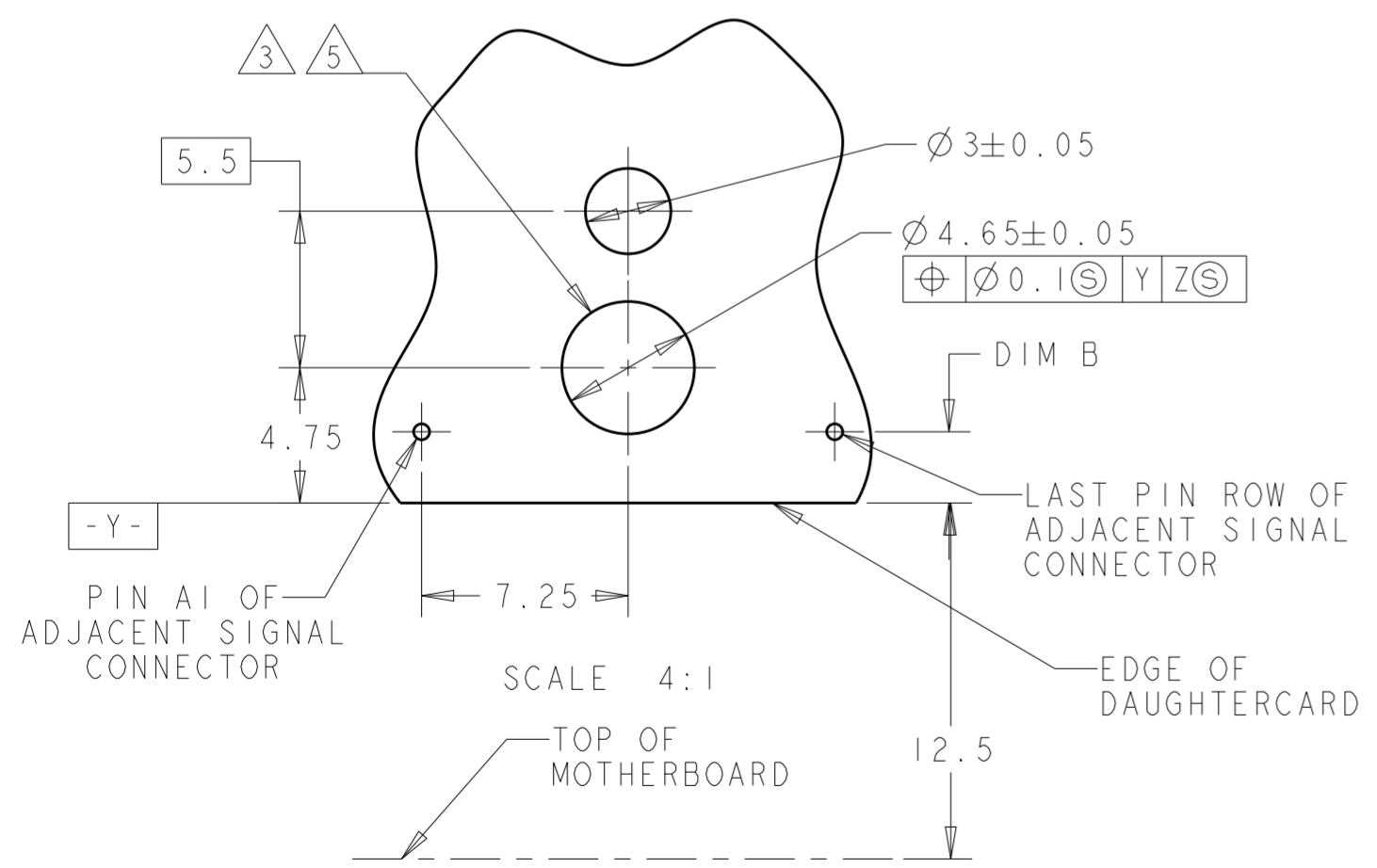
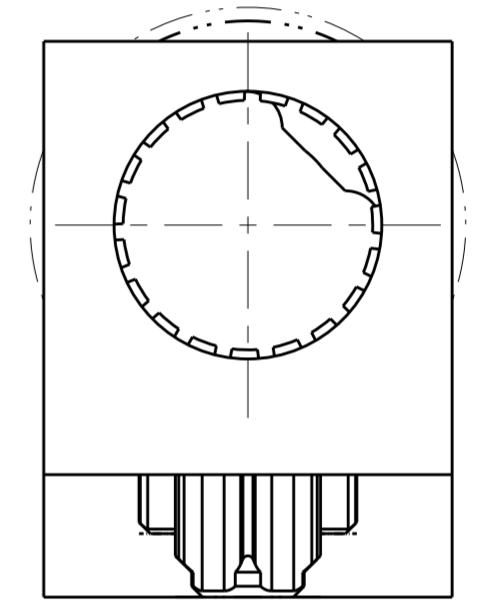
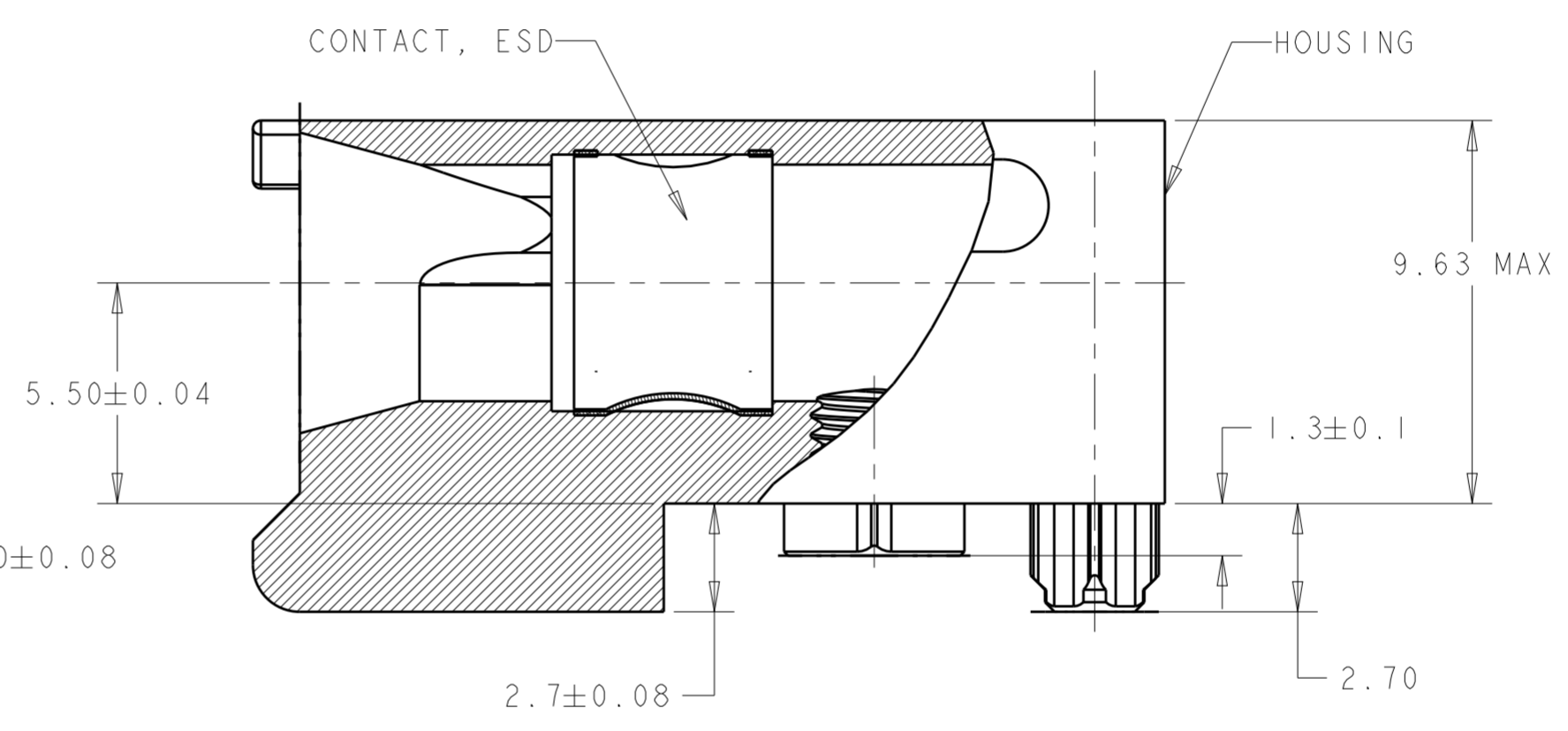
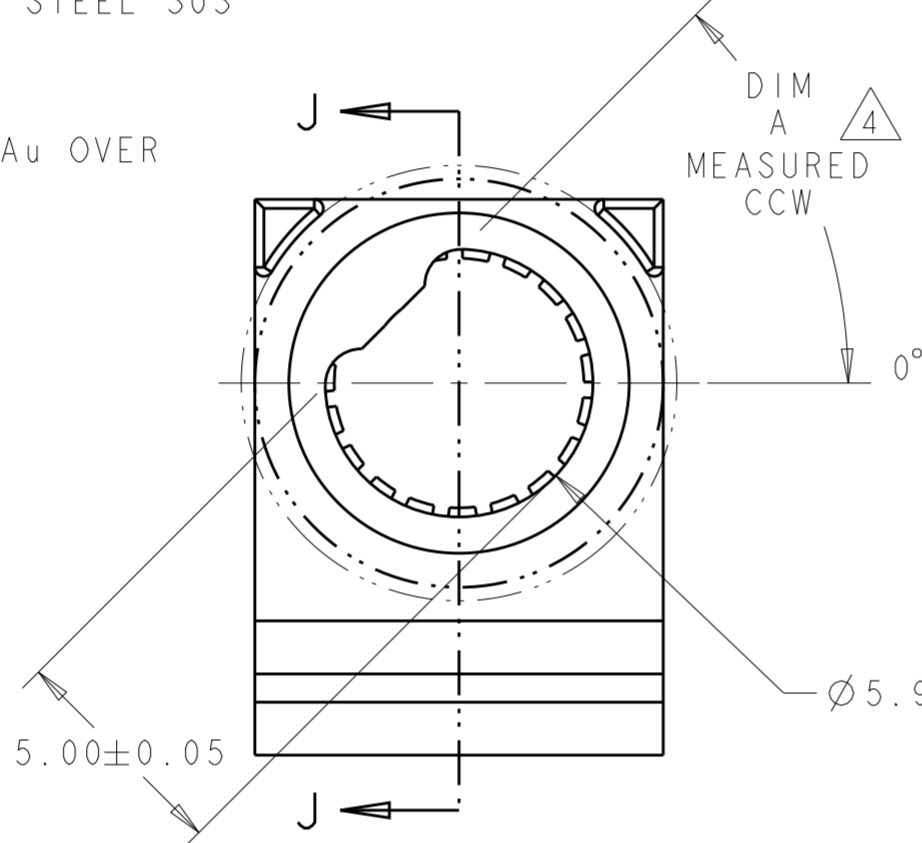
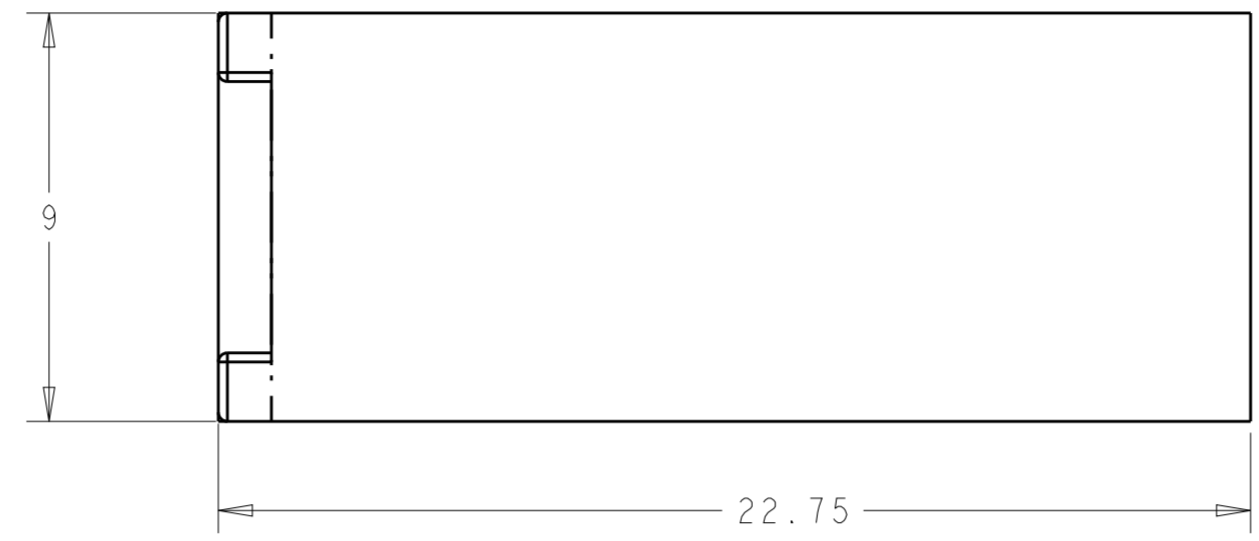


THIS DRAWING IS UNPUBLISHED. RELEASED FOR PUBLICATION
 © COPYRIGHT BY - ALL RIGHTS RESERVED.

REVISIONS				
P	LTR	DESCRIPTION	DATE	APVD
E		REV PER ECO 18-009576	6-22-18	CT RL

- 1 MATERIAL: HOUSING: ALUMINUM 6061.
CONTACT: BeCu
- 2 FINISH:
HOUSING: 0.025 MIN ELECTROLESS NICKEL
PER AMS-C-26074, GRADE A, CLASS 4.

CONTACT: 1.27µm MIN Au OVER 1.02µm MIN
NICKEL.
- 3 HOLE FOR POSITIVE RETENTION SCREW.
- 4 DASH NUMBERS INDICATE KEY ORIENTATION
(P/N 2000713-2 SHOWN ON DRAWING)
- 5 GROUND PAD Ø5mm ON BOTH SIDE OF PCB.
- 6 GUIDE MODULE W/O KEYING
- 7 MATERIAL: HOUSING: STAINLESS STEEL 303
CONTACT: BeCu
- 8 FINISH: HOUSING: PASSIVATED.
CONTACT: 1.27µm MIN Au OVER
1.02µm MIN NICKEL.



1	2	ANGLE	PART NUMBER
1	2	225°	1-2000713-6
1	2	180°	1-2000713-5
1	2	135°	1-2000713-4
7	8	315°	1-2000713-3
7	8	6	1-2000713-2
7	8	270°	1-2000713-0
7	8	90°	2000713-9
7	8	45°	2000713-8
7	8	0°	2000713-7
1	2	6	2000713-6
1	2	315°	2000713-5
1	2	270°	2000713-4
1	2	90°	2000713-3
1	2	45°	2000713-2
1	2	0°	2000713-1

1.5	TIER 2 (7-ROW)
2.25	TIER 2
2.5	TIER 1
DIM B	PRODUCT

THIS DRAWING IS A CONTROLLED DOCUMENT.

DWN	BH	10 JAN 2008
CHK	MRM	10 JAN 2008
APVD	MRM	10 JAN 2008

STE TE Connectivity

NAME: MULTIGIG GUIDE MODULE/STANDOFF, RIGHT ANGLE, 20.3mm DAUGHTERCARD,

SIZE: A2 CAGE CODE: 00779 DRAWING NO: C-2000713 RESTRICTED TO: E

SCALE: 6:1 SHEET: 1 OF 1 REV: E

X-ON Electronics

Largest Supplier of Electrical and Electronic Components

Click to view similar products for [Hard Metric Connectors](#) category:

Click to view products by [TE Connectivity](#) manufacturer:

Other Similar products are found below :

[6345127-1](#) [646916-9](#) [6469658-1](#) [973108](#) [1-2000713-0](#) [1-2000713-2](#) [1-2000713-3](#) [1645343-1](#) [1645456-1](#) [1645594-1](#) [1645595-1](#) [1645601-1](#)
[1934822-1](#) [278071110010833](#) [1645179-1](#) [1645245-1](#) [1645457-1](#) [1645525-1](#) [1645570-1](#) [1645596-1](#) [17041102202](#) [1857470-1](#) [1934275-1](#)
[1934289-1](#) [1934759-1](#) [2000673-1](#) [2170292-2](#) [2-536642-6](#) [3-106015-1](#) [352188-1](#) [352629-1](#) [5120823-1](#) [5120899-1](#) [3-100145-0](#) [3-100147-0](#)
[3-100669-1](#) [3-106081-0](#) [HM2DK2368PLF](#) [5646530-1](#) [3-352049-0](#) [3-352069-0](#) [3-352115-0](#) [3-352638-0](#) [352189-1](#) [3-646357-0](#) [3-646487-0](#)
[3-646513-0](#) [106726-1](#) [114352](#) [114619](#)