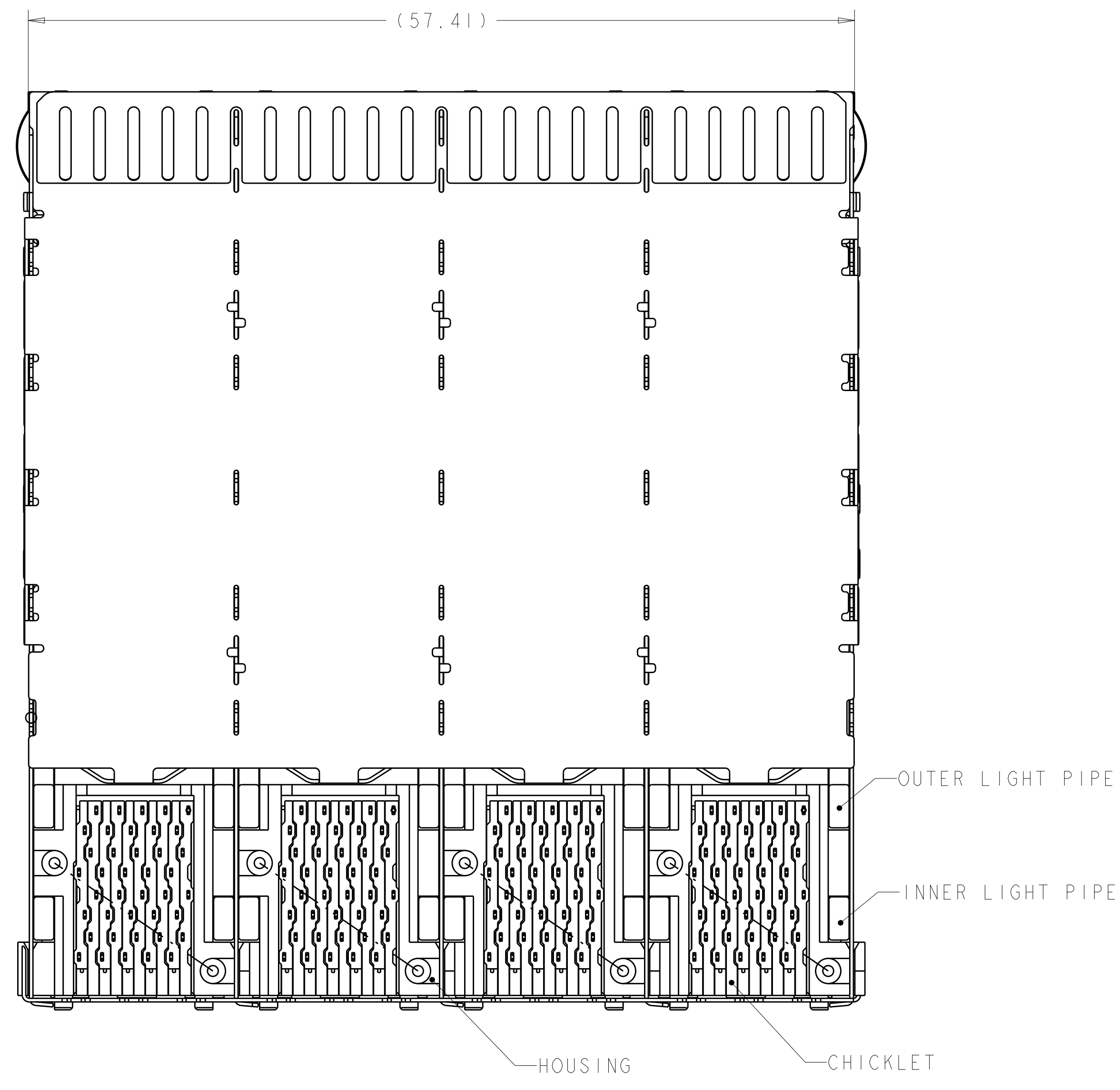
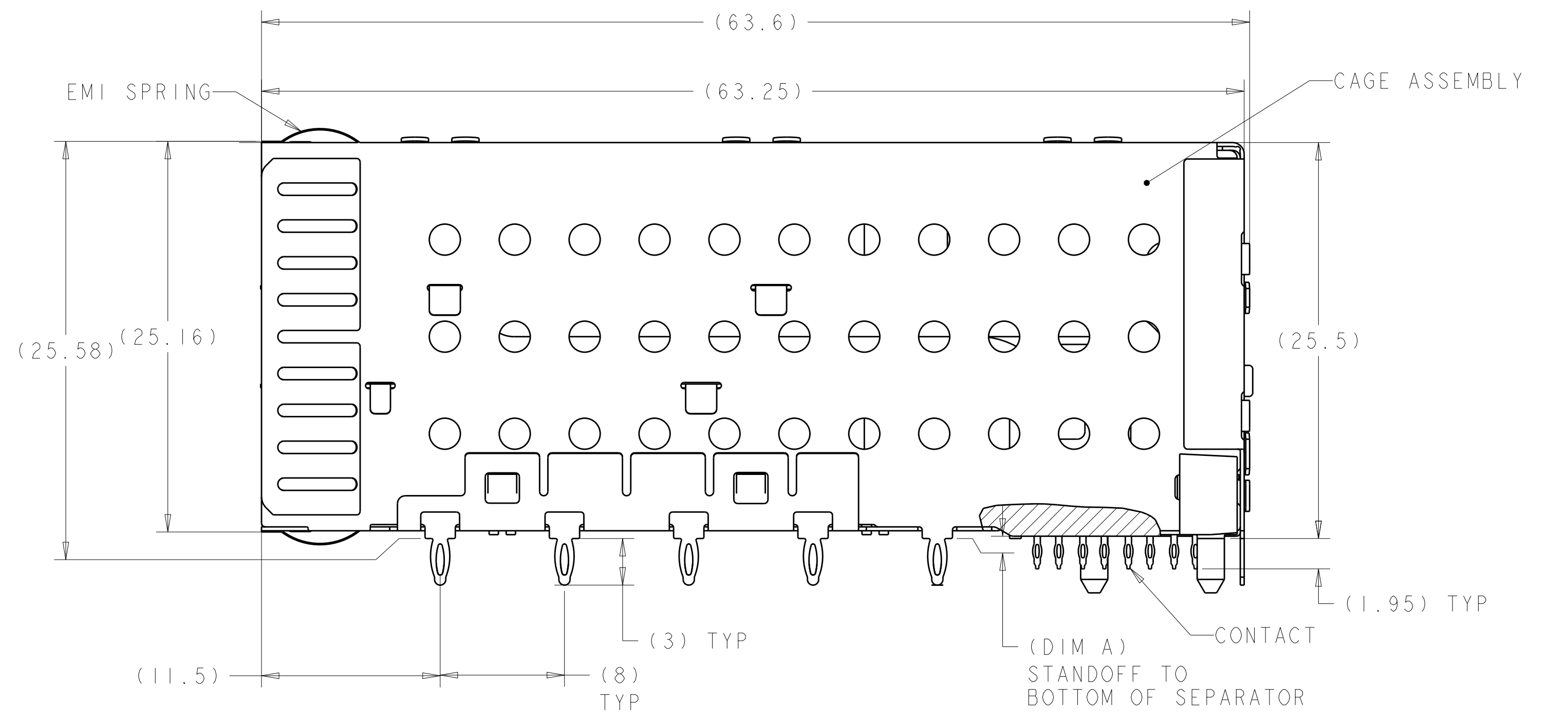
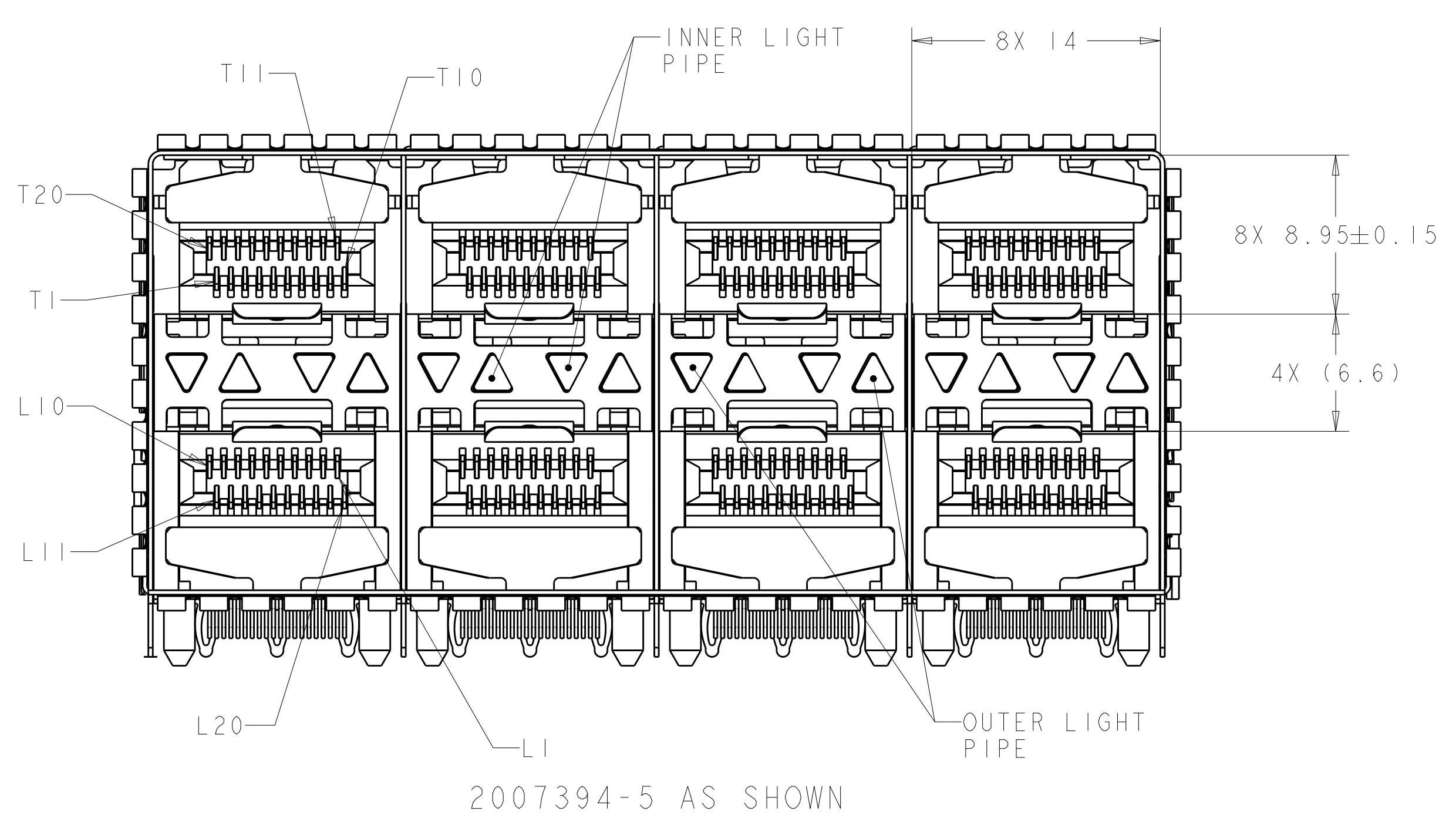


LOC	DIST	REV	DATE	BY	CHKD	APVD
GP	00					
D		REVISED PER ECO-15-017919	06APR2016	AP	RP	
D1		ADD PN 2-6 WITH DIM A 0.5MM	23SEP2019	IT	SH	



- 1 MATERIALS:
CAGE ASSEMBLY- NICKEL SILVER ALLOY PER ASTM B 122.
EMI SPRING- COPPER ALLOY.
INSERT- LCP, BLACK, UL 94V-0.
HOUSING- BLACK LCP, UL 94V-0 RATED.
CHICKLET- BLACK LCP, UL 94V-0 RATED.
LIGHT PIPE- POLYCARBONATE, CLEAR.
CONTACT- COPPER ALLOY.
- 2 DATUM AND BASIC DIMENSIONS ESTABLISHED BY CUSTOMER.
- 3. MINIMUM PCB THICKNESS OF 1.5.
- 4 CONTACT FINISH: CONFORMS TO THE REQUIREMENTS OF TE CONNECTIVITY PRODUCT SPECIFICATION 108-2331, BASED ON EIA/ECA-364-1000.01A, (CONTROLLED ENVIRONMENT APPLICATIONS) ON MATING INTERFACE, TIN-LEAD ON NEEDLE EYE.
- 5 CONTACT FINISH: CONFORMS TO THE REQUIREMENTS OF TE CONNECTIVITY PRODUCT SPECIFICATION 108-2331, BASED ON EIA/ECA-364-1000.01A, (CONTROLLED ENVIRONMENT APPLICATIONS) ON MATING INTERFACE, TIN ON NEEDLE EYE.
- 6 FOR HOLE SIZE AND PLATINGS, SEE APPLICATION SPEC 114-13219.
- 7 THE ENTIRE AREA OF THE CONNECTOR FOOTPRINT, INDICATED BY THE DASHED LINE, TO BE CONSIDERED THE KEEPOUT AREA FOR COMPONENTS AND SIGNAL TRACES, TOP SIDE ONLY. TOP SIDE TRACES ALLOWED WITHIN CONNECTOR HOLE PATTERN.
- 8 LIGHT PIPE PAD LAYOUT IS FOR 0805 LOW PROFILE LED PACKAGE WITH A HEIGHT OF 0.8mm.
- 9 EMI SPRING FINISH: 0.8µm MINIMUM MATTE TIN OVER 0.8µm MINIMUM NICKEL, NONPLATED EDGES PERMISSIBLE.
- 10 ADDITIONAL COMPONENT LOCATED WITHIN LATCH PLATE FOR EMI SUPPRESSION.

DIM A	ENHANCED EMI	FINISH	DESCRIPTION	PART NUMBER
0.50	YES 10	5	INNER 2 LIGHT PIPES	2-2007394-6
			NO LIGHT PIPES	1-2007394-8
0.15	YES 10	5	OUTER 2 LIGHT PIPES	1-2007394-7
			INNER 2 LIGHT PIPES	1-2007394-6
			4 LIGHT PIPES	1-2007394-5
0.15	NO	5	NO LIGHT PIPES	2007394-8
			OUTER 2 LIGHT PIPES	2007394-7
			INNER 2 LIGHT PIPES	2007394-6
			4 LIGHT PIPES	2007394-5
SUPERSEDED	NO	4	NO LIGHT PIPES	2007394-4
			OUTER 2 LIGHT PIPES	2007394-3
			INNER 2 LIGHT PIPES	2007394-2
			4 LIGHT PIPES	2007394-1

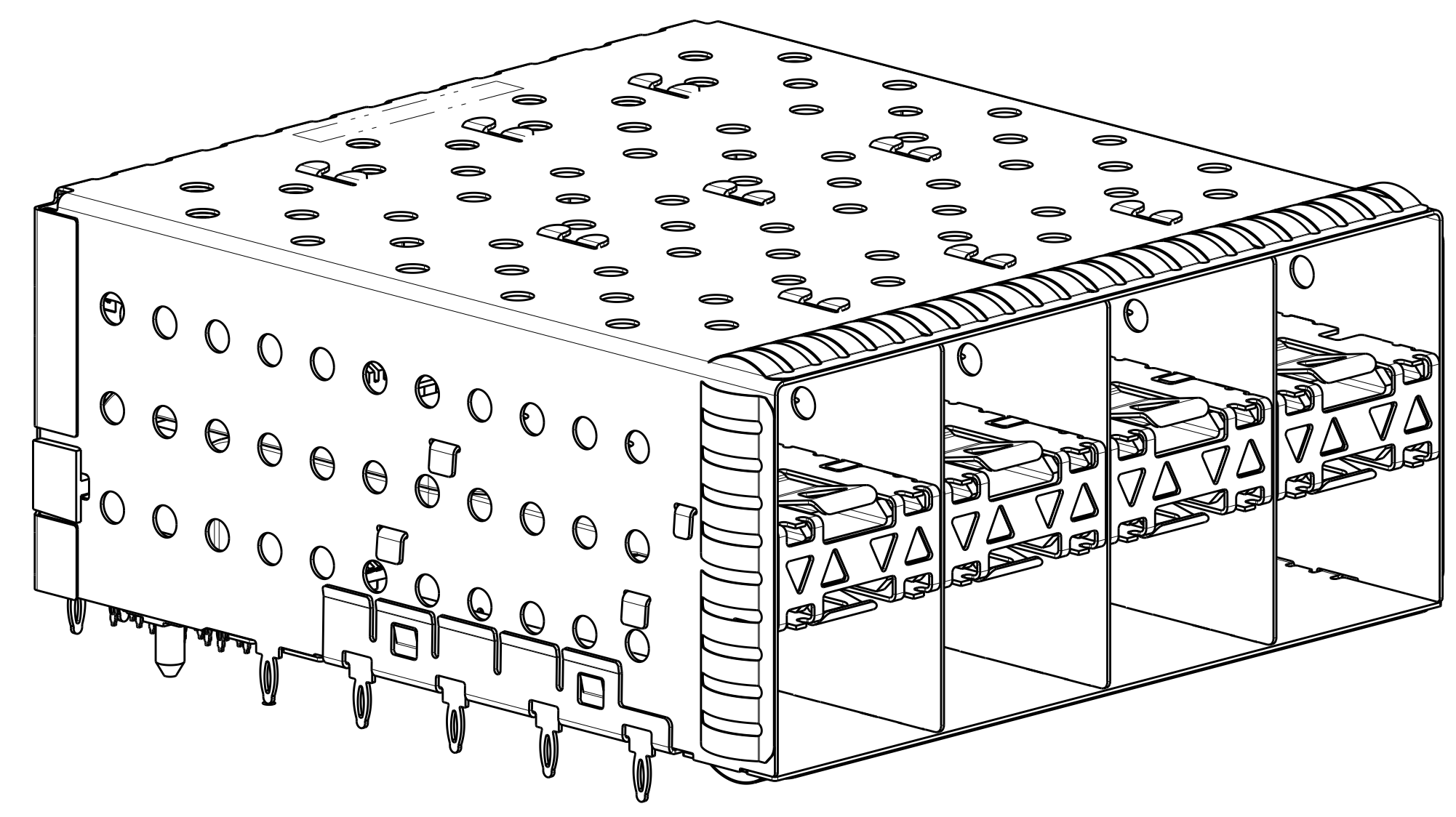
THIS DRAWING IS A CONTROLLED DOCUMENT. DIMENSIONING AND TOLERANCING PER ASME Y14.5M-2009. TOLERANCES UNLESS OTHERWISE SPECIFIED:

DIMENSIONS:	mm	0 PLC ±0.10	1 PLC ±0.10	2 PLC ±0.10	3 PLC ±0.10	4 PLC ±0.10	ANGLES ±°	FINISH
MATERIAL		1	4	5	9			

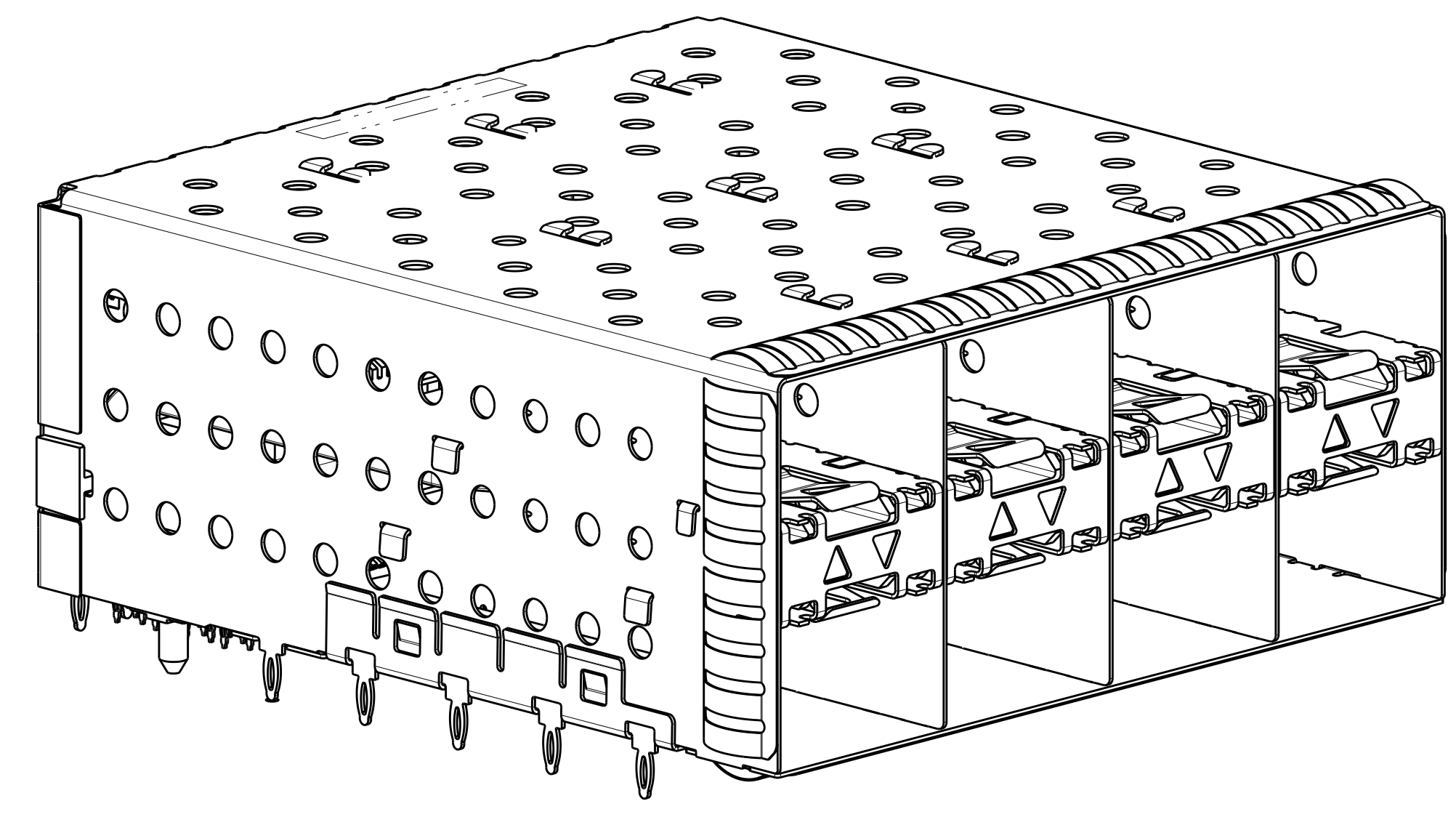
APPROVED: M. SHIRK, 10OCT2007
 CHK: D. SZCZESNY, 10OCT2007
 APVD: D. SZCZESNY, 10OCT2007
 PRODUCT SPEC: 108-2331
 APPLICATION SPEC: 114-13219
 WEIGHT: -
 CUSTOMER DRAWING

STE TE Connectivity
 NAME: CAGE AND PT CONNECTOR ASSEMBLY, WITH EMI SPRINGS, PRESS FIT, 2X4, STACKED SFP+
 SIZE: CAGE CODE DRAWING NO: A100779C=2007394
 SCALE: 4:1 SHEET 1 OF 4 REV D

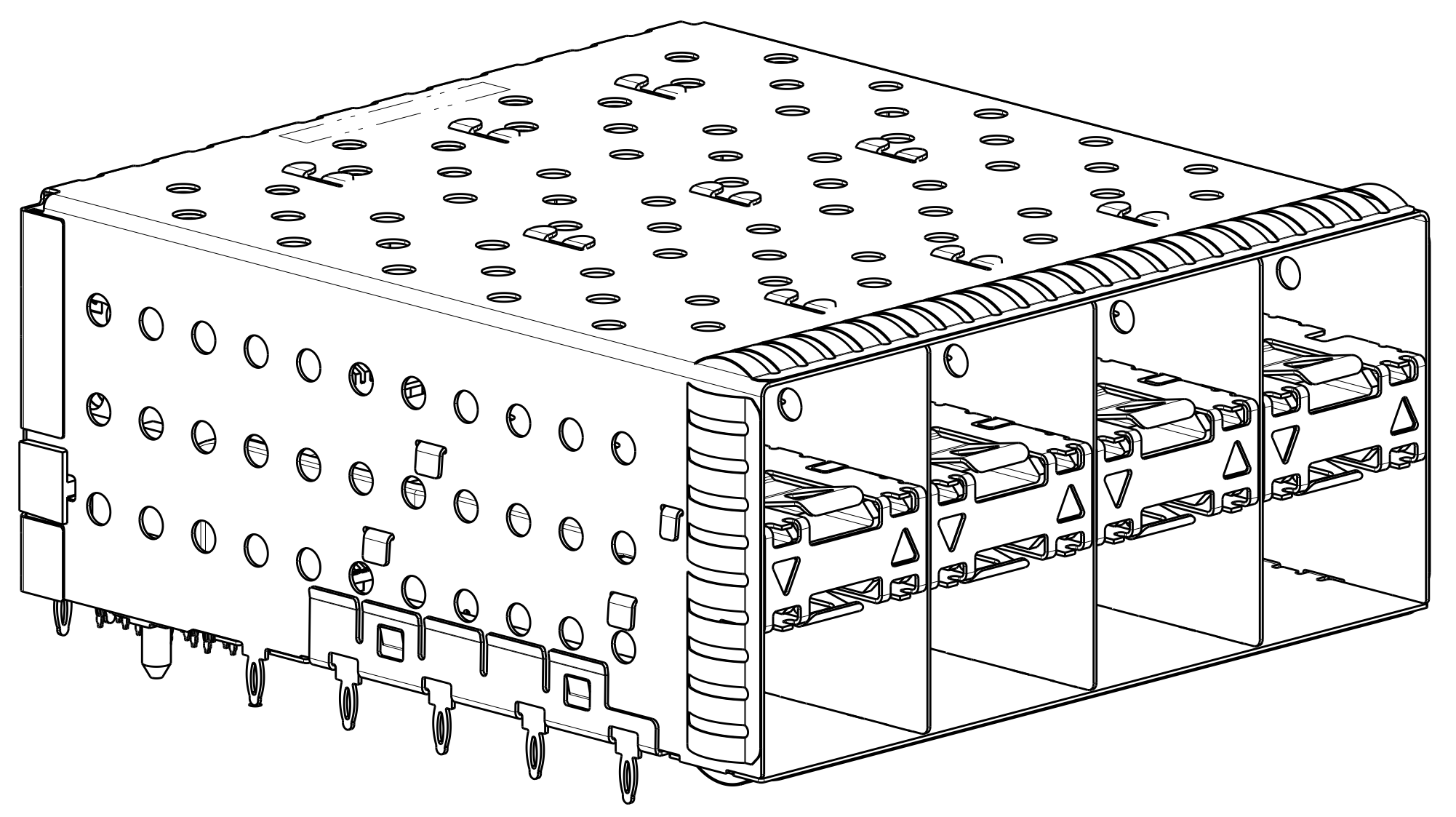
LOC	DIST	REVISIONS			
		P. LTR	DESCRIPTION	DATE	DWN APVD
		rev_sym_1666_8H6E111			rev_defect_y_dwn_bppr_1
		rev_sym_2rev_desc_2			rev_defect_y_dwn_bppr_2
		rev_sym_3rev_desc_3			rev_defect_y_dwn_bppr_3
		rev_sym_4rev_desc_4			rev_defect_y_dwn_bppr_4



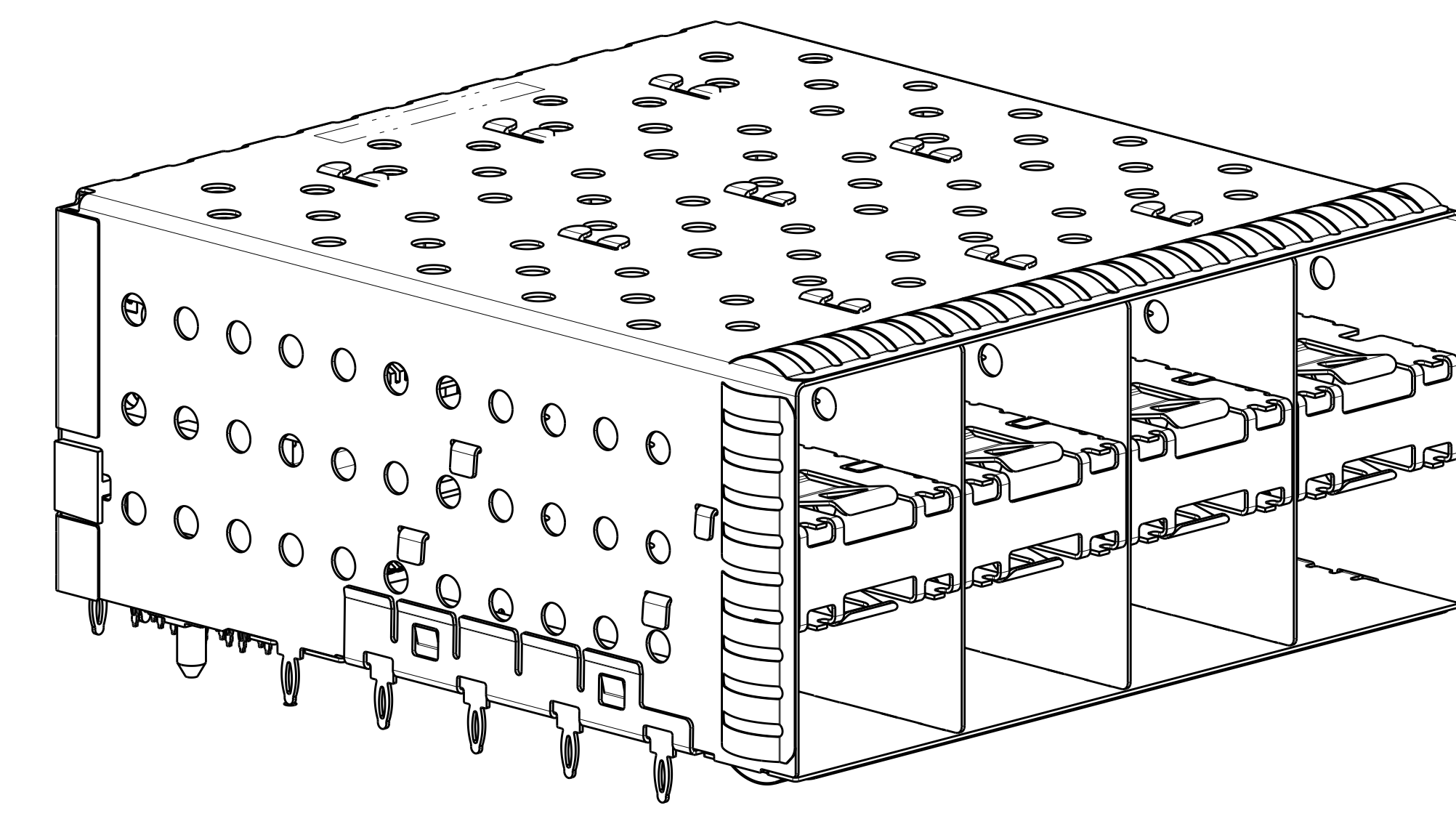
2007394-5 AND 1-2007394-5
 SCALE 3:1




2007394-6, 1-2007394-6 AND 2-2007394-6
 SCALE 3:1



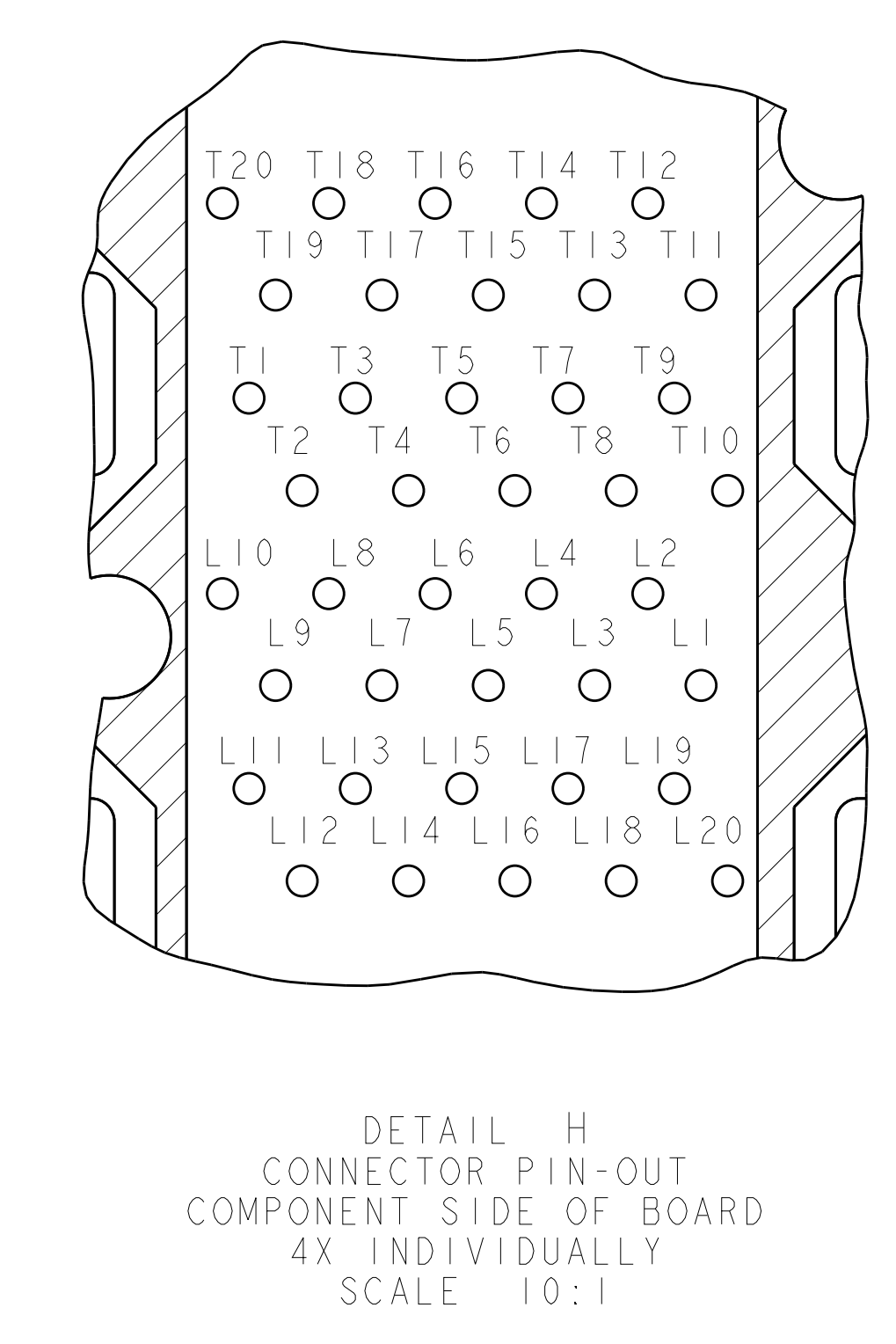
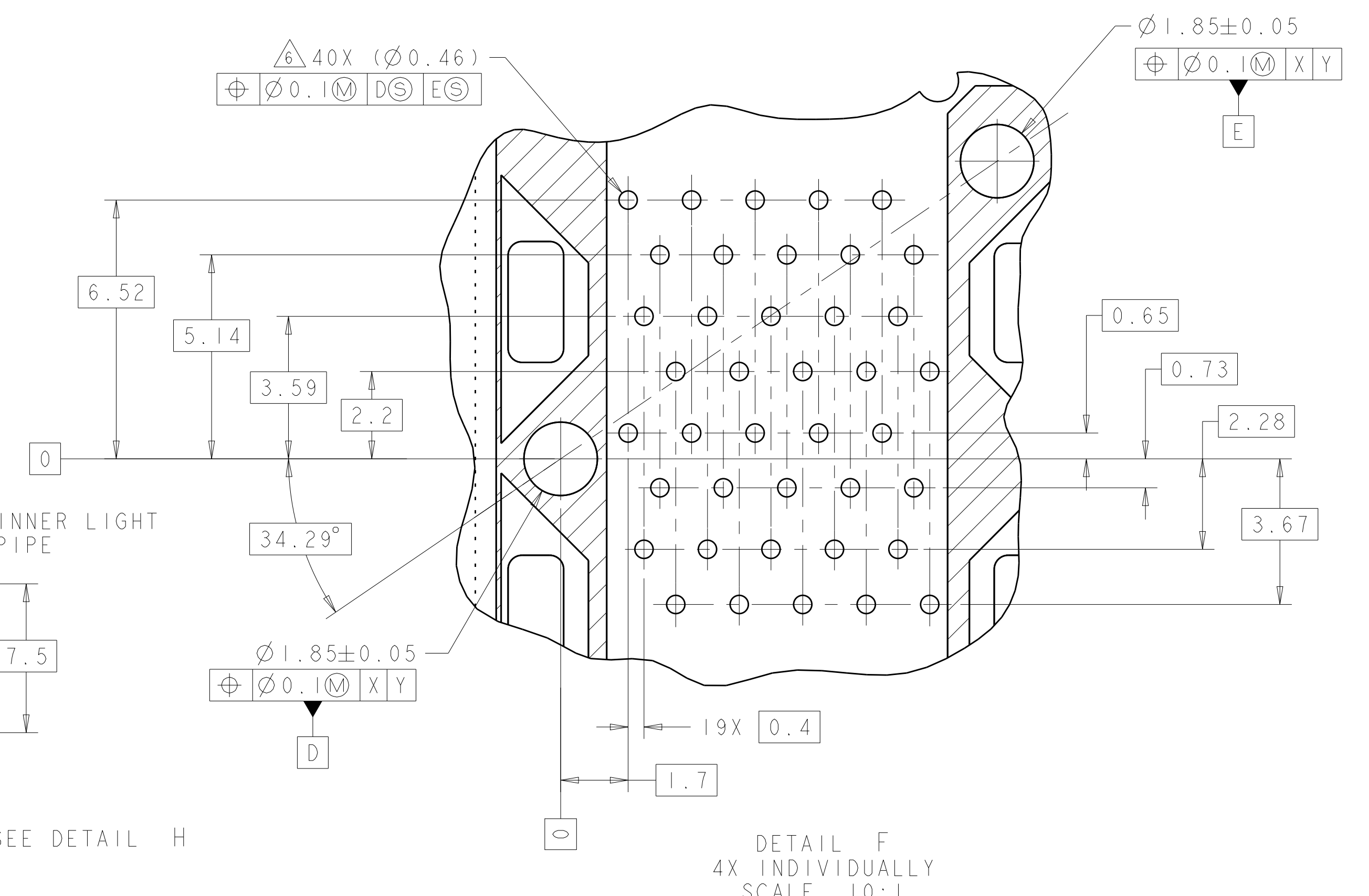
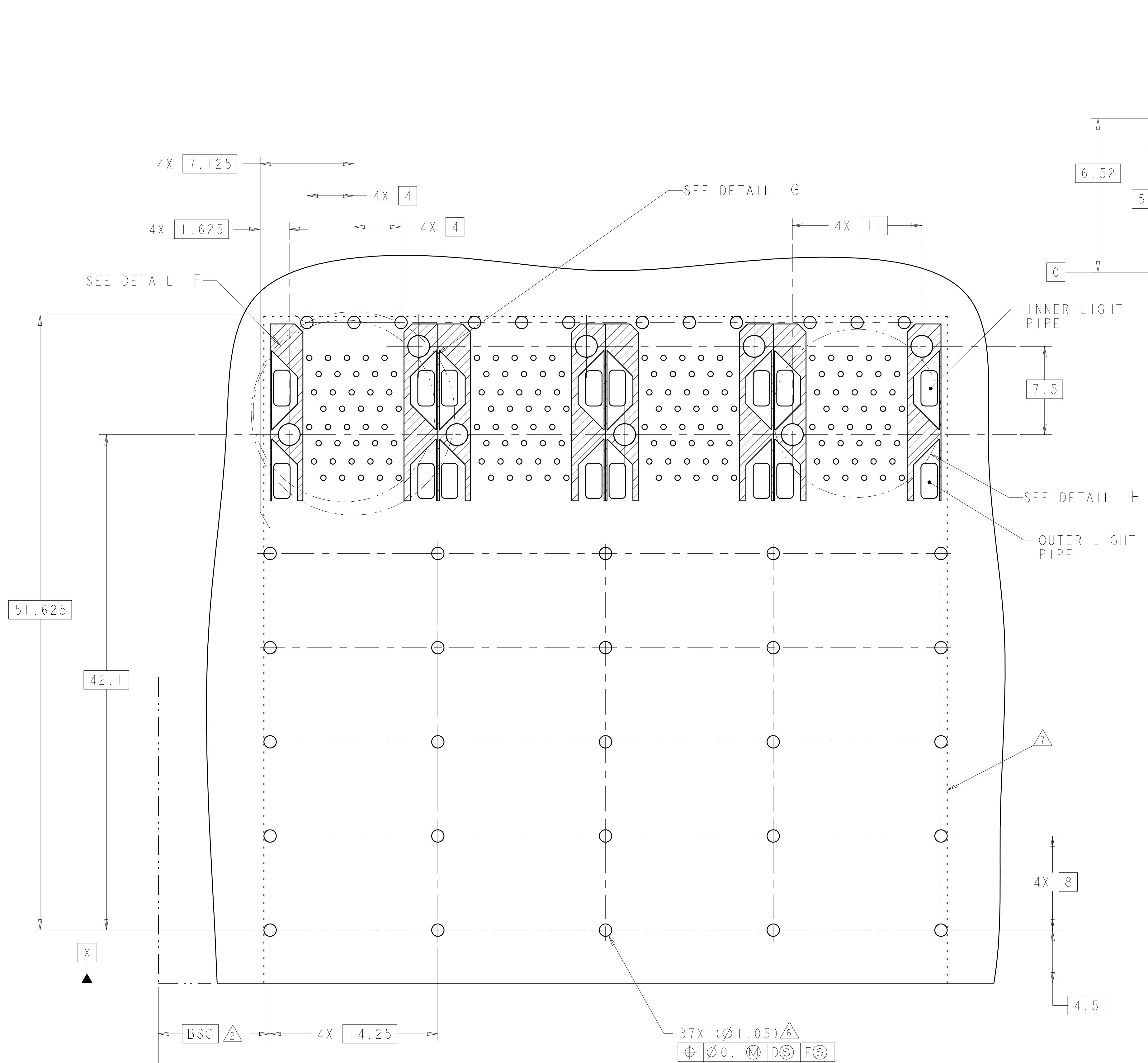
2007394-7 AND 1-2007394-7
 SCALE 3:1



2007394-8 AND 1-2007394-8
 SCALE 3:1

THIS DRAWING IS A CONTROLLED DOCUMENT. DIMENSIONING AND TOLERANCING PER ASME Y14.5M-2009		DWN: M. SHIRK 10OCT2007	 TE Connectivity
DIMENSIONS: mm		CHK: D. SZCZESNY 10OCT2007	
TOLERANCES UNLESS OTHERWISE SPECIFIED:		APVD: D. SZCZESNY 10OCT2007	NAME: CAGE AND PT CONNECTOR ASSEMBLY, WITH EMI SPRINGS, PRESS FIT, 2X4, STACKED SFP+
0 PLC ±0.10 1 PLC ±0.10 2 PLC ±0.10 3 PLC ±0.10 4 PLC ±0.10 ANGLES ±°		PRODUCT SPEC: 108-2331	
MATERIAL: FINISH:		APPLICATION SPEC: 114-13219	RESTRICTED TO:
		WEIGHT:	A100779C=2007394
		CUSTOMER DRAWING	SCALE 4:1 SHEET 2 OF 4 REV D1

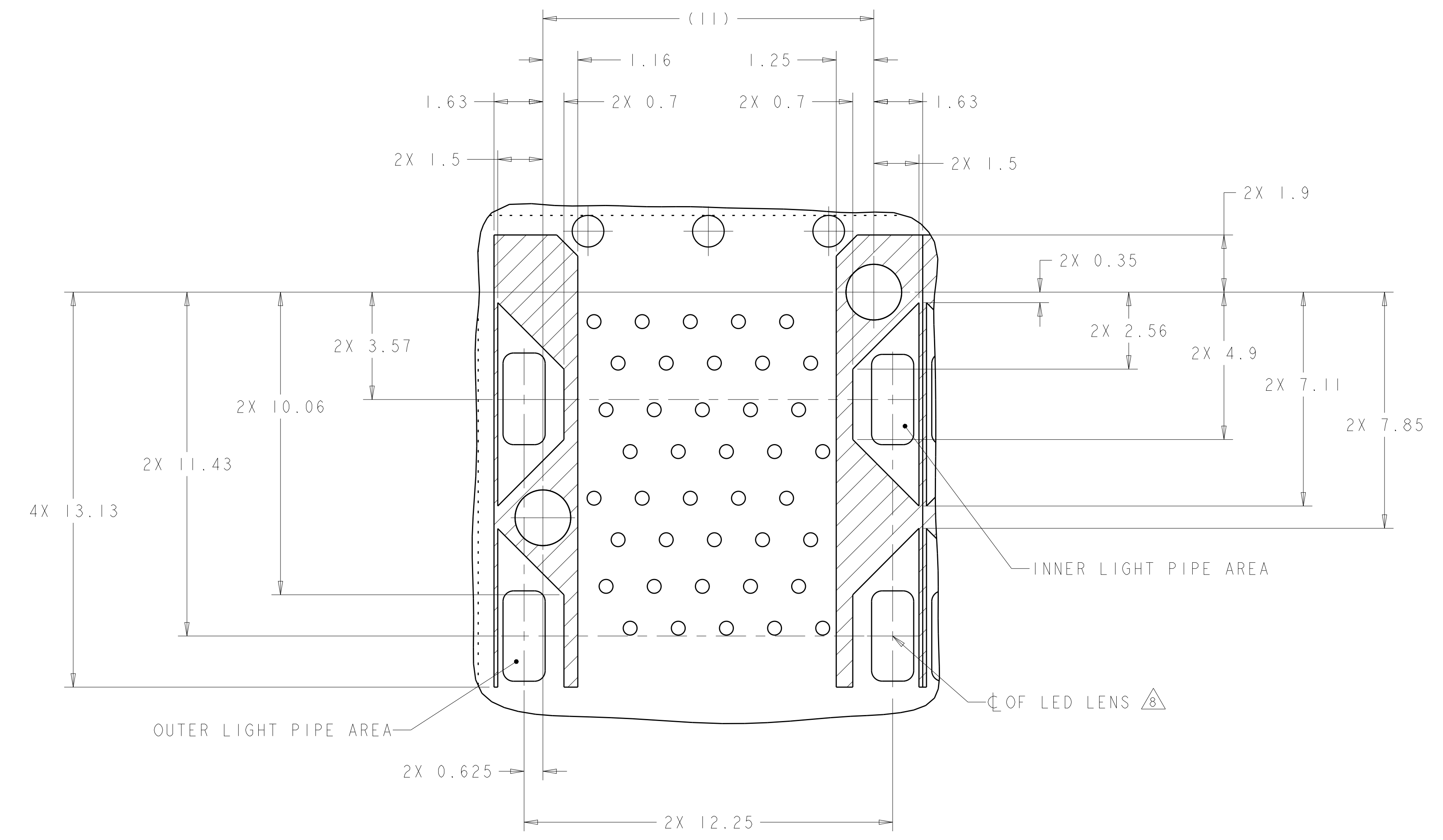
LOC	DIST	REV	DATE	APPV
		1		
		2		
		3		
		4		



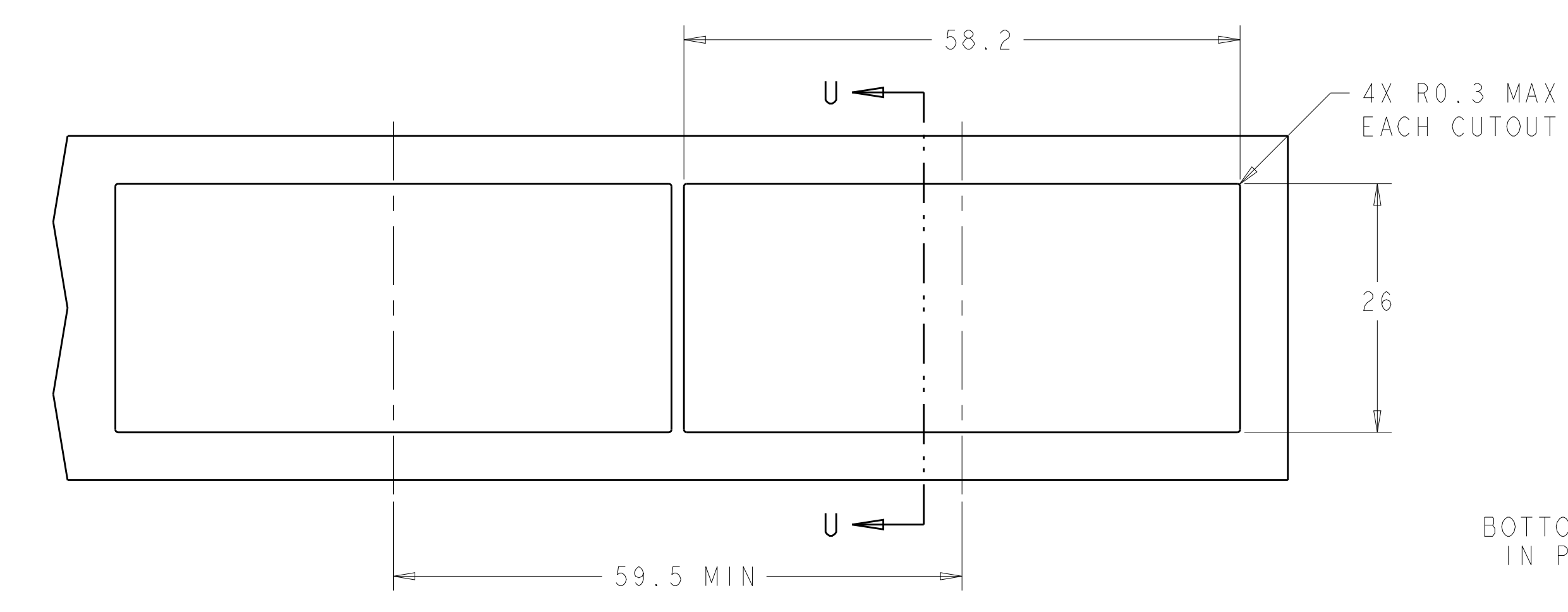
RECOMMENDED PCB LAYOUT
 COMPONENT SIDE OF BOARD
 SCALE 5:1

THIS DRAWING IS A CONTROLLED DOCUMENT. DIMENSIONING AND TOLERANCING PER: ASME Y14.5M-2009		OWN: M. SHIRK 10OCT2007	TE Connectivity
DIMENSIONS: mm		CHK: D. SZCZESNY 10OCT2007	
TOLERANCES UNLESS OTHERWISE SPECIFIED:		APPV: D. SZCZESNY 10OCT2007	NAME: CAGE AND PT CONNECTOR ASSEMBLY, WITH EMI SPRINGS, PRESS FIT, 2X4, STACKED SFP+ SIZE: CAGE CODE DRAWING NO. RESTRICTED TO A100779C=2007394
0 PLC ±0.10 1 PLC ±0.10 2 PLC ±0.10 3 PLC ±0.10 4 PLC ±0.10 ANGLES ±°		PRODUCT SPEC: 108-2331 APPLICATION SPEC: 114-13219 WEIGHT: -	
MATERIAL: - FINISH: -		CUSTOMER DRAWING	SCALE: 4:1 SHEET 3 OF 4 REV: D1

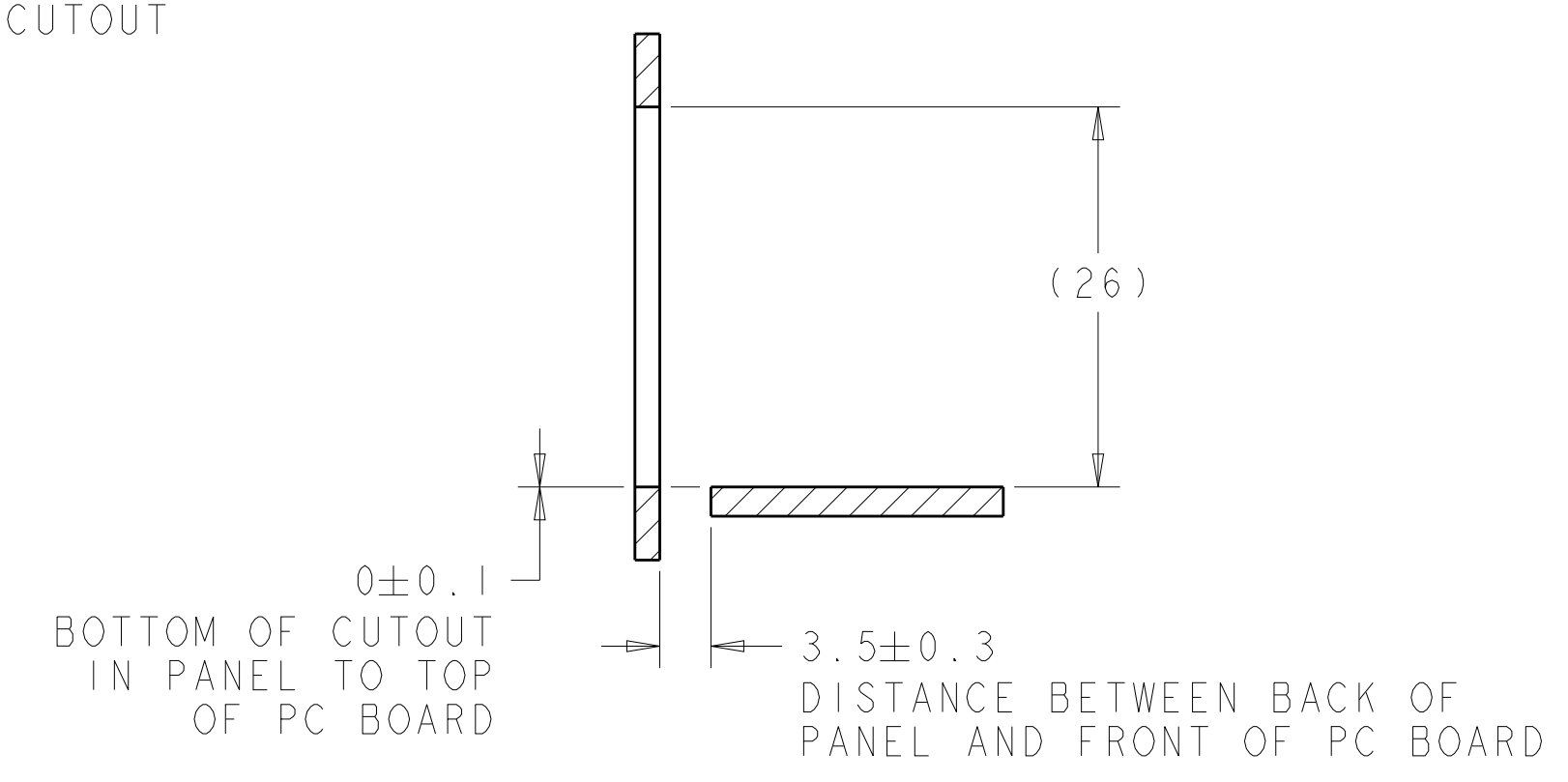
LOC	DIST	REV	DATE	BY	APPV
		1			
		2			
		3			
		4			



DETAIL G
 CONNECTOR HOUSING
 KEEP-OUT ZONE
 4X INDIVIDUALLY
 SCALE 10:1



RECOMMENDED PANEL CUTOUT
 AND PC BOARD, PANEL POSITION
 SCALE 2:1



SECTION U-U

THIS DRAWING IS A CONTROLLED DOCUMENT. DIMENSIONING AND TOLERANCING PER ASME Y14.5M-2009		DWN: M. SHIRK CHK: D. SZCZESNY APPV: D. SZCZESNY	10OCT2007 10OCT2007 10OCT2007	 TE Connectivity	NAME: CAGE AND PT CONNECTOR ASSEMBLY, WITH EMI SPRINGS, PRESS FIT, 2X4, STACKED SFP+
DIMENSIONS: mm	TOLERANCES UNLESS OTHERWISE SPECIFIED:	PRODUCT SPEC: 108-2331	APPLICATION SPEC: 114-13219		SIZE: A100779
MATERIAL:	FINISH:	WEIGHT:	CAGE CODE: 2007394	SCALE: 4:1	SHEET 4 OF 4
CUSTOMER DRAWING				REV: D1	

X-ON Electronics

Largest Supplier of Electrical and Electronic Components

Click to view similar products for [I/O Connectors](#) category:

Click to view products by [TE Connectivity](#) manufacturer:

Other Similar products are found below :

[571763P](#) [58098-0628](#) [72.250.1628.2](#) [72.250.2428.2](#) [74720-0505](#) [76.350.0729.0](#) [76871-1403](#) [FCN-244F080-G/1](#) [FCN-260A9920](#) [PCR-E36PM](#) [PCS-XE26MA+](#) [G38A71314B](#) [1571250010](#) [157-22500-3](#) [MS3471L14-19P L/C](#) [172501-4002](#) [172501-6002](#) [FCN-260C008-A/L0](#) [FCN-260C024-AL0](#) [FCN-261Z008](#) [2000314-1](#) [200331-1](#) [PCR-E36FC+](#) [PCS-E28FS+](#) [PCS-XE26SLFD+](#) [PCS-XE26SLFDT+](#) [G730VID08BDC24](#) [U90B2054081210](#) [38113800006](#) [DP3AR020WQ1R200](#) [Z4.102.0680.0](#) [500-1040](#) [500-1052](#) [500-1054](#) [ZP-4008-66L](#) [0709821002](#) [DX40-20P\(55\)](#) [5554841-1](#) [MS3474W18-8P-LC*](#) [U90B3054061110](#) [U65-E04-4020](#) [ZPF000000000097891](#) [747360449](#) [10099439-003C-TRLF](#) [10137239-0021LF](#) [E9320-001-01](#) [10137239-0011LF](#) [70289-001LF](#) [70.060.1028.0](#) [109029-ZZ](#)