

4

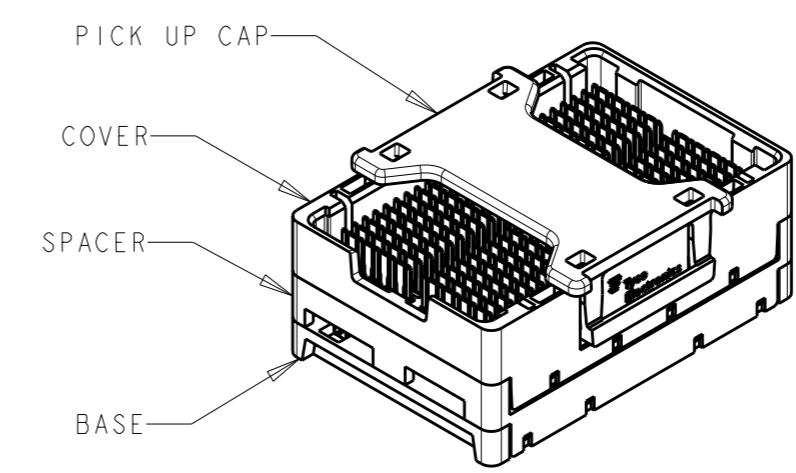
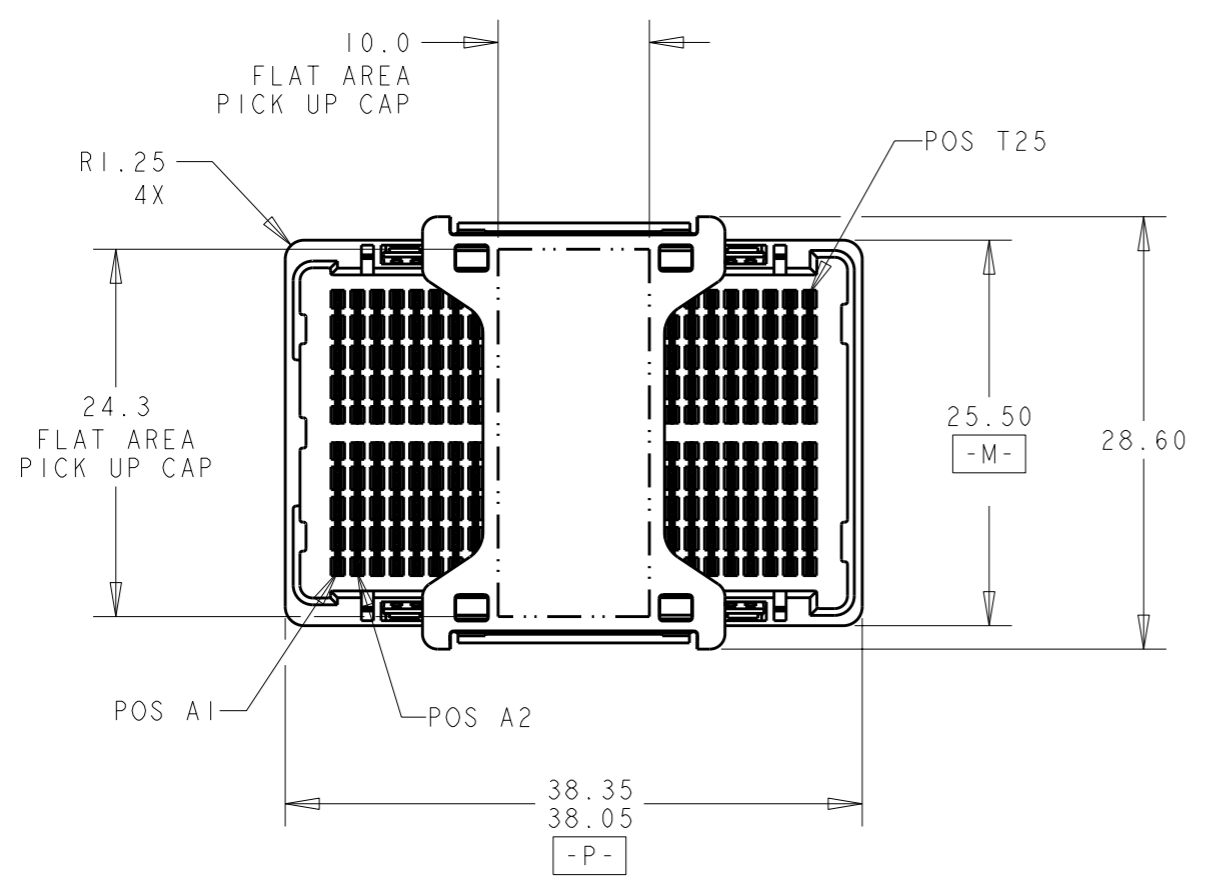
3

2

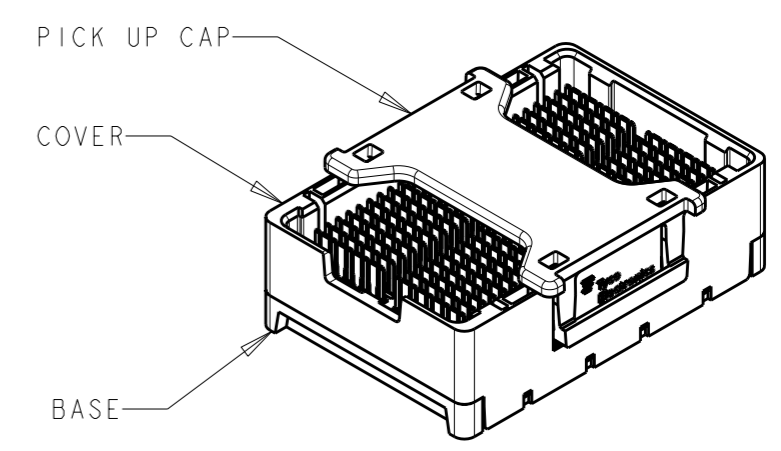
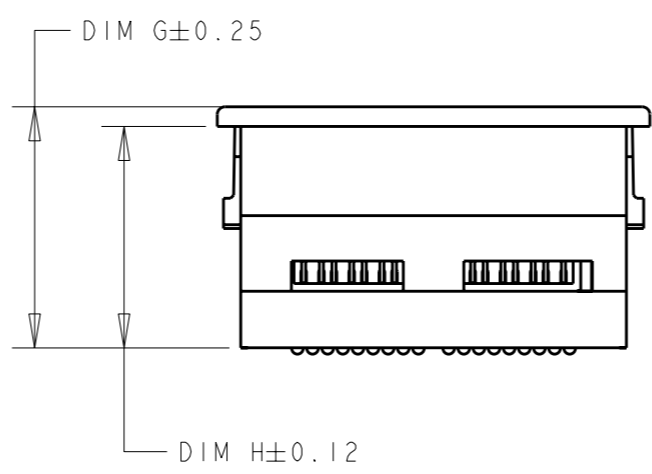
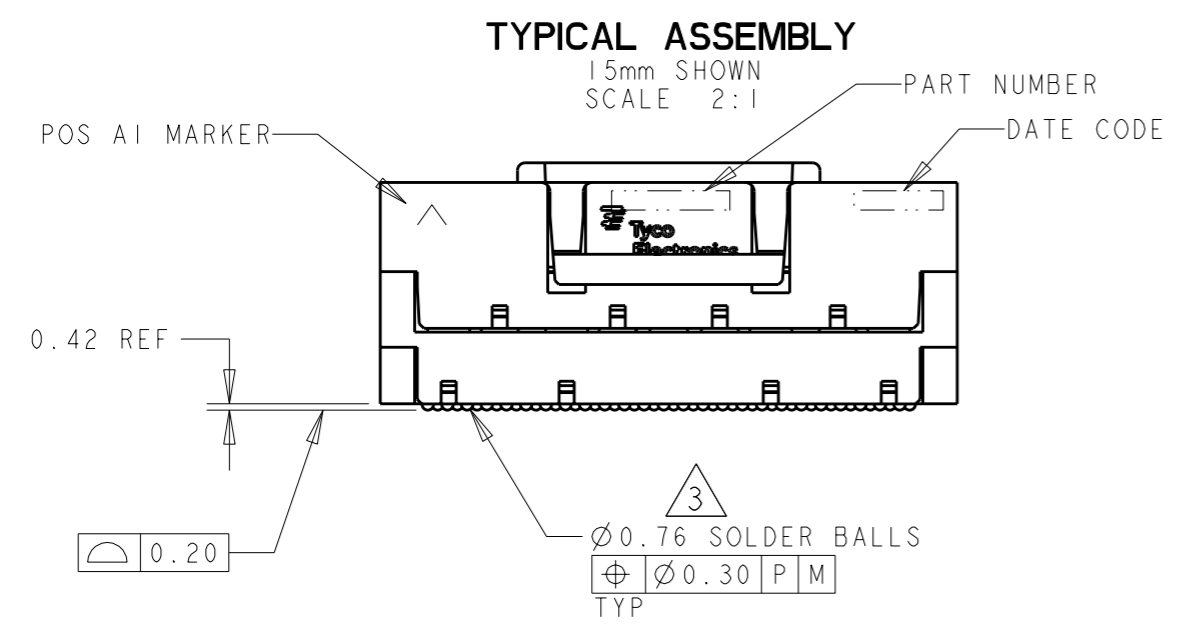
1

THIS DRAWING IS UNPUBLISHED. RELEASED FOR PUBLICATION 20
 © COPYRIGHT 20 BY TYCO ELECTRONICS CORPORATION. ALL RIGHTS RESERVED.

LOC	DIST	REVISIONS				
P	LTR	DESCRIPTION	DATE	DWN	APVD	
GP	00	A	RELEASED	12NOV2007	BC	DD
		AI	REVISED PER ECO-08-007613	29MAY2008	DH	DD



ISOMETRIC VIEW
 TYPICAL CONFIGURATION FOR
 15mm & 20mm ASSEMBLY
 SCALE 3:2



ISOMETRIC VIEW
 TYPICAL CONFIGURATION FOR
 10mm, 12mm, & 13mm ASSEMBLY
 SCALE 3:2

<small>THIS DRAWING IS A CONTROLLED DOCUMENT FOR TYCO ELECTRONICS CORPORATION IT IS SUBJECT TO CHANGE AND THE CONTROLLING ENGINEERING ORGANIZATION SHOULD BE CONTACTED FOR THE LATEST REVISION.</small>		DWN B. CARBO 12NOV2007 CHK D. DIXON 12NOV2007 APVD D. DIXON 12NOV2007		Tyco Electronics Harrisburg, PA 17105-3608	
DIMENSIONS: mm		TOLERANCES UNLESS OTHERWISE SPECIFIED: 0 PLC ±- 1 PLC ±0.3 2 PLC ±0.10 3 PLC ±0.050 4 PLC ±- ANGLES ±2°		NAME STEP-Z, PLUG ASSEMBLY, 200 SIGNAL POSITION	
MATERIAL 		FINISH 		PRODUCT SPEC 108-2143 APPLICATION SPEC 114-13101 WEIGHT -	
		CUSTOMER DRAWING		SIZE A3 CAGE CODE 00779 DRAWING NO C-2007614 RESTRICTED TO -	
				SCALE - SHEET 1 OF 4 REV AI	

THIS DRAWING IS UNPUBLISHED. RELEASED FOR PUBLICATION 20
 © COPYRIGHT 20 BY TYCO ELECTRONICS CORPORATION. ALL RIGHTS RESERVED.

LOC	DIST	REVISIONS			
P	LTR	DESCRIPTION	DATE	DWN	APVD
GP	00	-	SEE SHEET 1	-	-

1 MATERIAL:
 BASE, SPACER, COVER: THERMOPLASTIC
 PICK UP CAP: THERMOPLASTIC
 CONTACT: COPPER ALLOY
 SOLDER BALL: Sn/Pb FOR P/N 1761614-1 THRU 5-1761614-0
 Sn/Ag FOR P/N 5-1761614-1 THRU 9-1761614-9

2 FINISH:
 CONTACT: 0.00076 MIN GOLD OVER 0.00127 MIN NICKEL.
 (30µ" MIN GOLD OVER 50µ" MIN NICKEL)

3 SOLDER BALLS WILL NOT BE PERFECT SPHERICAL SHAPE DUE TO REFLOW ATTACHMENT.

4 CONTACTS IN ROWS A,C,E,G,J,K,M,P,R, AND T ARE SINGLE BEAM CONTACTS, TYPICALLY USED AS GROUND PINS. (NOTE: CONTACTS IN ROW J & K ARE TIED TOGETHER [COMMONED]).

5 CONTACTS IN ROWS B,D,F,H,L,N,Q, AND S ARE DUAL BEAM CONTACTS, TYPICALLY USED AS SIGNAL PINS.

6 SPECIFIED POSITIONAL TOLERANCE DEFINES PAD TO PAD LOCATION WITHIN LAND PATTERN. POSITIONAL TOLERANCE OF LAND PATTERN TO FUDICIAL MARKS OR PCB DATUMS SHALL BE DEFINED BY CUSTOMER. FOR RECOMMENDED PRODUCT APPLICATION AND PCB DESIGN DETAILS, SEE APPLICATION SPEC 114-13101.

7 -

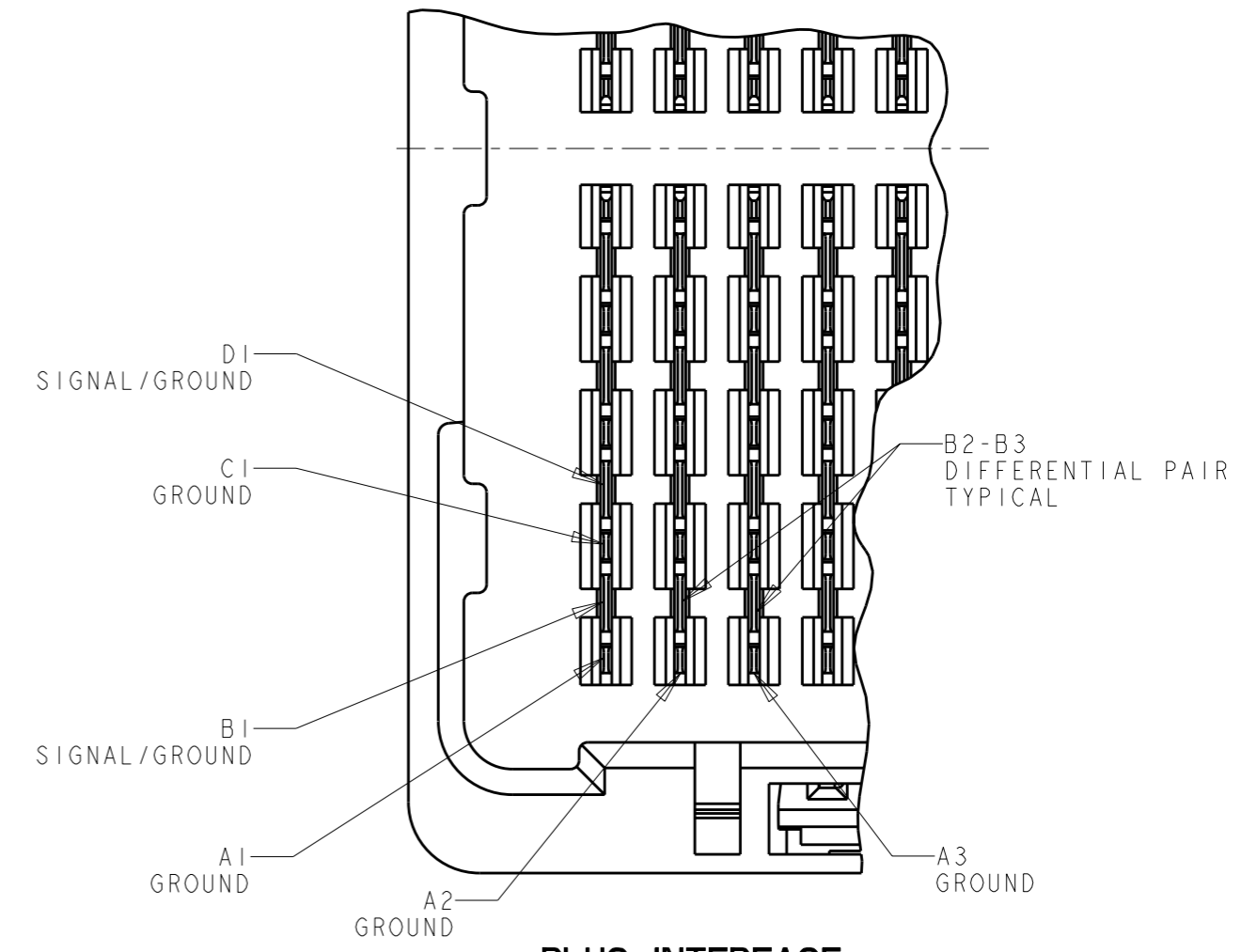
8 REFERENCE BOARD PATTERN FOR DIMENSIONS AND DETAILS NOT SHOWN.

9 HARD BLACK PLASTIC JEDEC STYLE TRAY.

10 PACKAGING:
 28 CONNECTORS PER TRAY.
 8 TRAYS PER SHIPPING BOX.
 SOLD ONLIN BOX QUANTITIES (224).
 AVAILABLE IN SINGLE SOFT CLEAR TRAY QUANTITY (25)
 AS X-1761614-X (SAME DASH NUMBERS).

11 ANTISTATIC MATERIAL.

12 CONNECTOR ORIENTATION:
 POSITION A1 IN UPPER RIGHT CORNER.



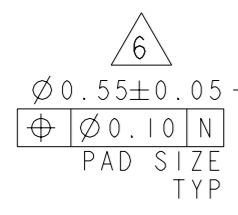
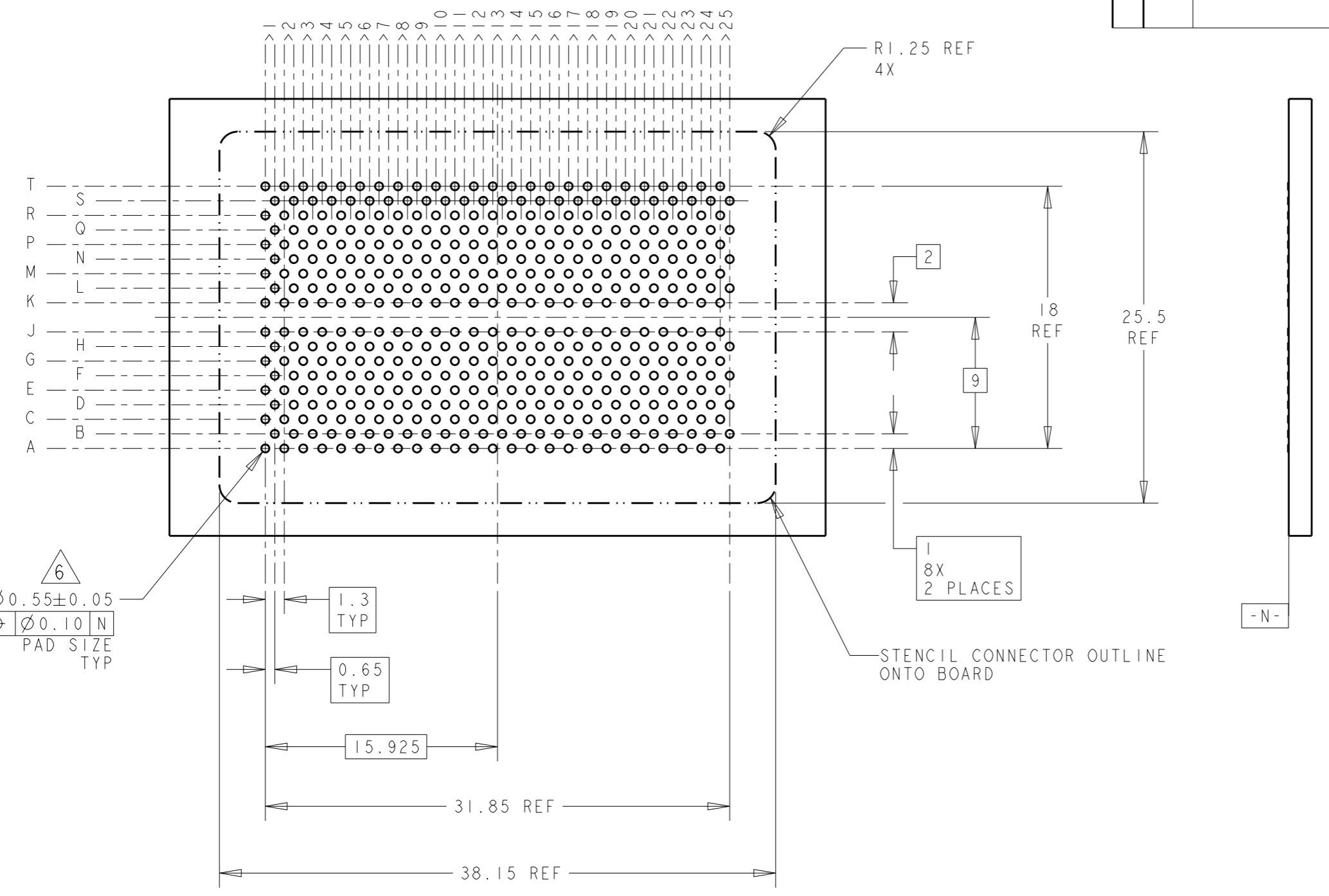
PLUG INTERFACE
 SCALE 8:1

TRAY COLOR	DIM T	DIM H	DIM G	LOAD STYLE	DESCRIPTION	PART NUMBER
BLUE	16.3	14.65	15.95	FULL LOAD-200	15mm Sn/Ag	6-2007614-5
BLUE	26.3	24.65	25.95	FULL LOAD-200 POSN	25mm Sn/Ag	7-2007614-5
BLUE	11.3	9.65	10.95	FULL LOAD-200 POSN	10mm Sn/Ag	6-2007614-0
BLACK	16.3	14.65	15.95	FULL LOAD-200 POSN	15mm Sn/Pb	1-2007615-5
BLACK	26.3	24.65	25.95	FULL LOAD-200 POSN	25mm Sn/Pb	2-2007614-5
BLACK	11.3	9.65	10.95	FULL LOAD-200 POSN	10mm Sn/Pb	1-2007614-0

<small>THIS DRAWING IS A CONTROLLED DOCUMENT FOR TYCO ELECTRONICS CORPORATION IT IS SUBJECT TO CHANGE AND THE CONTROLLING ENGINEERING ORGANIZATION SHOULD BE CONTACTED FOR THE LATEST REVISION.</small>		DWN B. CARBO 12NOV2007 CHK D. DIXON 12NOV2007 APVD D. DIXON 12NOV2007	Tyco Electronics Harrisburg, PA 17105-3608
DIMENSIONS: mm 		PRODUCT SPEC 108-2143 APPLICATION SPEC 114-13101 WEIGHT -	NAME STEP-Z, PLUG ASSEMBLY, 200 SIGNAL POSITION SIZE A3 CAGE CODE 00779 DRAWING NO C-2007614 RESTRICTED TO -
MATERIAL - FINISH -		CUSTOMER DRAWING SCALE - SHEET 2 OF 4 REV A1	

THIS DRAWING IS UNPUBLISHED. RELEASED FOR PUBLICATION 20
 © COPYRIGHT 20 BY TYCO ELECTRONICS CORPORATION. ALL RIGHTS RESERVED.

LOC	DIST	REVISIONS				
P	LTR	DESCRIPTION	DATE	DWN	APVD	
GP	00	-	SEE SHEET 1	-	-	



4 5 BOARD PATTERN
SCALE 3:1

THIS DRAWING IS A CONTROLLED DOCUMENT FOR TYCO ELECTRONICS CORPORATION IT IS SUBJECT TO CHANGE AND THE CONTROLLING ENGINEERING ORGANIZATION SHOULD BE CONTACTED FOR THE LATEST REVISION.

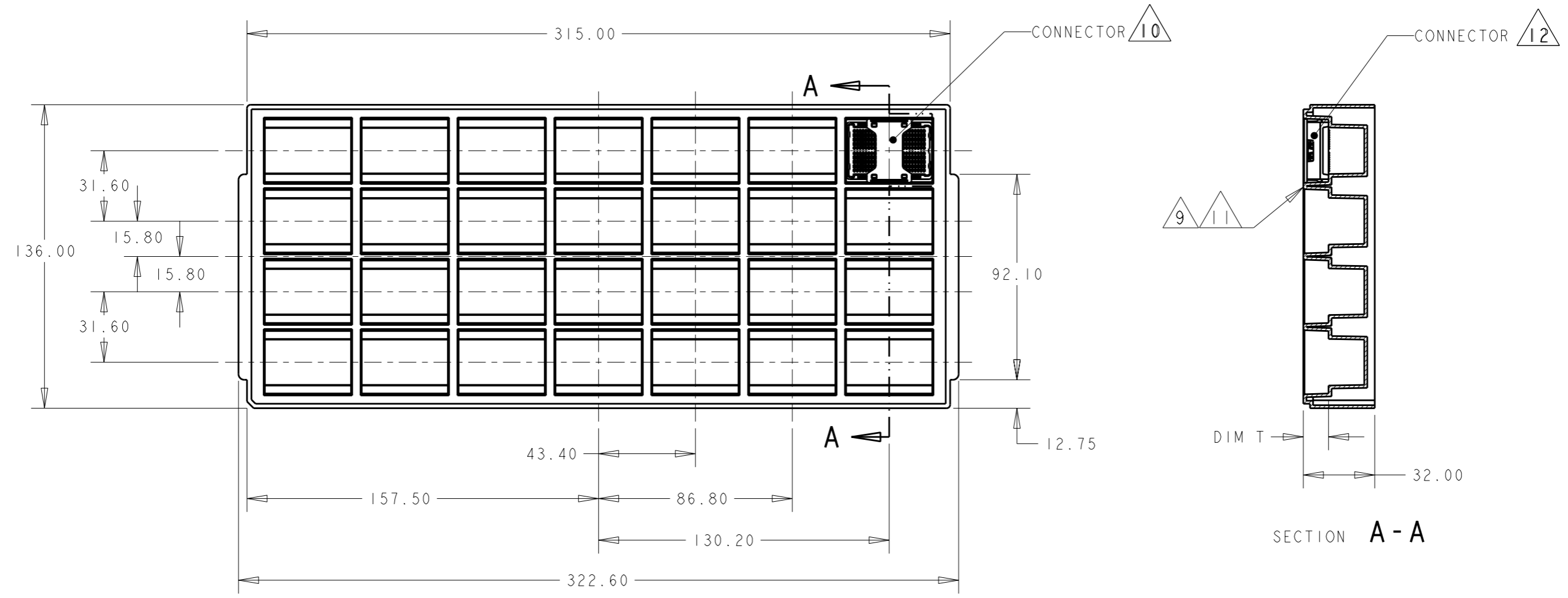
DIMENSIONS:	TOLERANCES UNLESS OTHERWISE SPECIFIED:
mm	0 PLC ±-
	1 PLC ±0.3
	2 PLC ±0.10
	3 PLC ±0.050
	4 PLC ±-
	ANGLES ±2°
MATERIAL -	FINISH -

DWN	B. CARBO	12NOV2007
CHK	D. DIXON	12NOV2007
APVD	D. DIXON	12NOV2007
PRODUCT SPEC	108-2143	
APPLICATION SPEC	114-13101	
WEIGHT	-	
CUSTOMER DRAWING		

		Tyco Electronics Harrisburg, PA 17105-3608	
NAME STEP-Z, PLUG ASSEMBLY, 200 SIGNAL POSITION			
SIZE	CAGE CODE	DRAWING NO	RESTRICTED TO
A3	00779	C-2007614	-
SCALE -		SHEET 3 OF 4	REV A1

THIS DRAWING IS UNPUBLISHED. RELEASED FOR PUBLICATION 20
 © COPYRIGHT 20 BY TYCO ELECTRONICS CORPORATION. ALL RIGHTS RESERVED.

LOC	DIST	REVISIONS				
P	LTR	DESCRIPTION	DATE	DWN	APVD	
GP	00	-	SEE SHEET 1	-	-	



SCALE 1:2

<small>THIS DRAWING IS A CONTROLLED DOCUMENT FOR TYCO ELECTRONICS CORPORATION IT IS SUBJECT TO CHANGE AND THE CONTROLLING ENGINEERING ORGANIZATION SHOULD BE CONTACTED FOR THE LATEST REVISION.</small>		DWN B. CARBO 12NOV2007 CHK D. DIXON 12NOV2007 APVD D. DIXON 12NOV2007	Tyco Electronics Harrisburg, PA 17105-3608
DIMENSIONS: mm	TOLERANCES UNLESS OTHERWISE SPECIFIED: 0 PLC ±- 1 PLC ±0.3 2 PLC ±0.10 3 PLC ±0.050 4 PLC ±- ANGLES ±2°	PRODUCT SPEC 108-2143 APPLICATION SPEC 114-13101 WEIGHT -	NAME STEP-Z, PLUG ASSEMBLY, 200 SIGNAL POSITION -
MATERIAL -	FINISH -	CUSTOMER DRAWING	SIZE A3 CAGE CODE 00779 DRAWING NO C-2007614 RESTRICTED TO -
		SCALE -	SHEET 4 OF 4 REV A1

X-ON Electronics

Largest Supplier of Electrical and Electronic Components

Click to view similar products for [High Speed/Modular Connectors](#) category:

Click to view products by [TE Connectivity](#) manufacturer:

Other Similar products are found below :

[2332816-1](#) [89006-1137LF](#) [650827-1](#) [65762-001LF](#) [73474-201LF](#) [74040-1346](#) [74075-0267](#) [1410191-1](#) [1410337-1](#) [1410368-3](#) [1410964-2](#)
[1410367-3](#) [1410971-4](#) [1467833-1](#) [2000877-1](#) [2000878-1](#) [2041314-1](#) [2065387-1](#) [2187307-1](#) [2187462-1](#) [91290-101LF](#) [163P](#) [1934290-1](#)
[2000875-1](#) [2065917-1](#) [2102736-2](#) [FSR-40](#) [2169868-2](#) [22354-8](#) [437-5040-000](#) [5-1393565-0](#) [532449-3](#) [532803-2](#) [34745-0001](#) [1-1393708-5](#)
[73774-1000](#) [532939-1](#) [5-531355-3](#) [85838-180LF](#) [HM1S43TRR460H6PLF](#) [0760205010](#) [0782341022](#) [1-966831-4](#) [3-1469268-7](#) [77427-121LF](#)
[74748-102LF](#) [10009542-001LF](#) [73983-A001LF](#) [10041743-101LF](#) [10066670-100002LF](#)