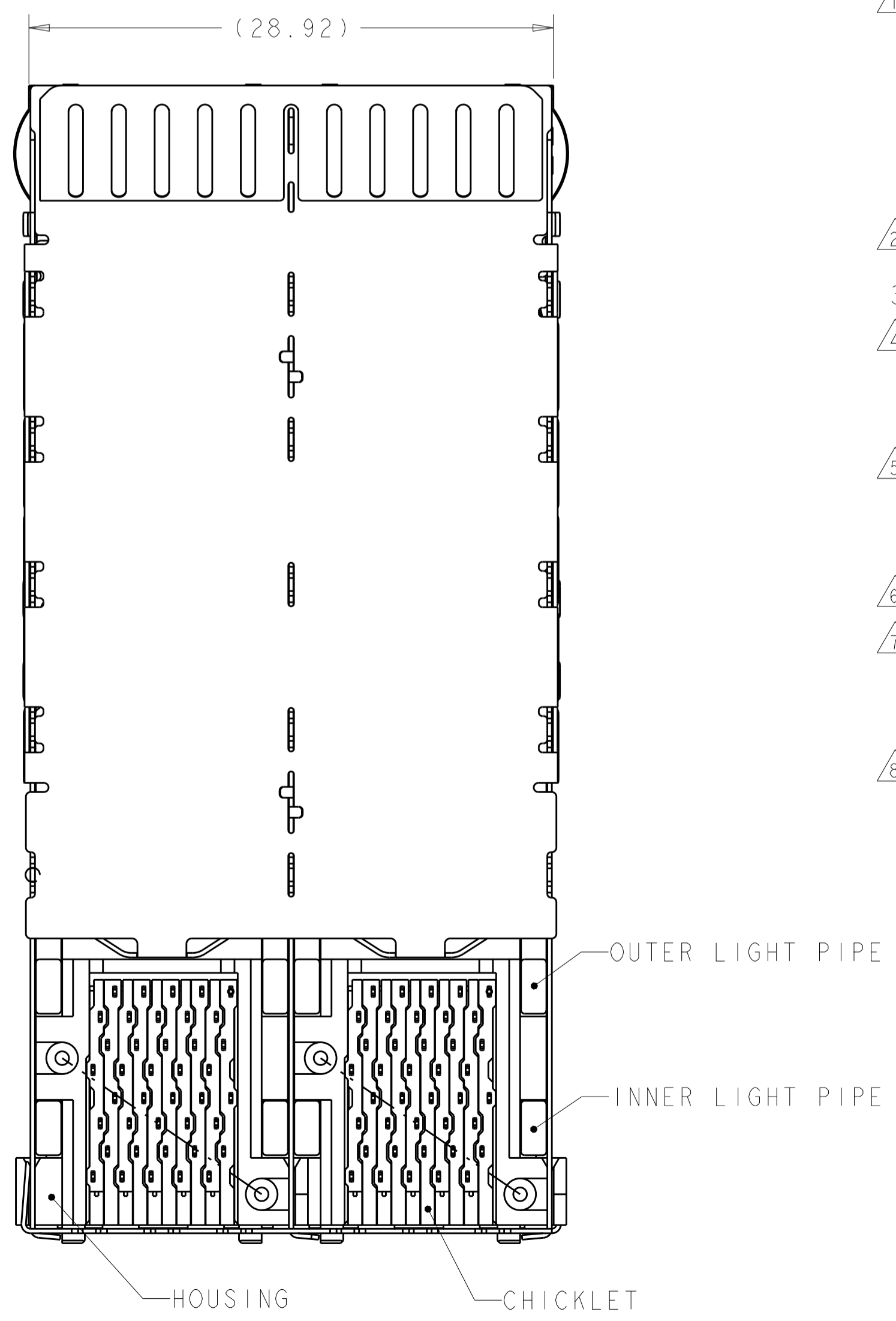
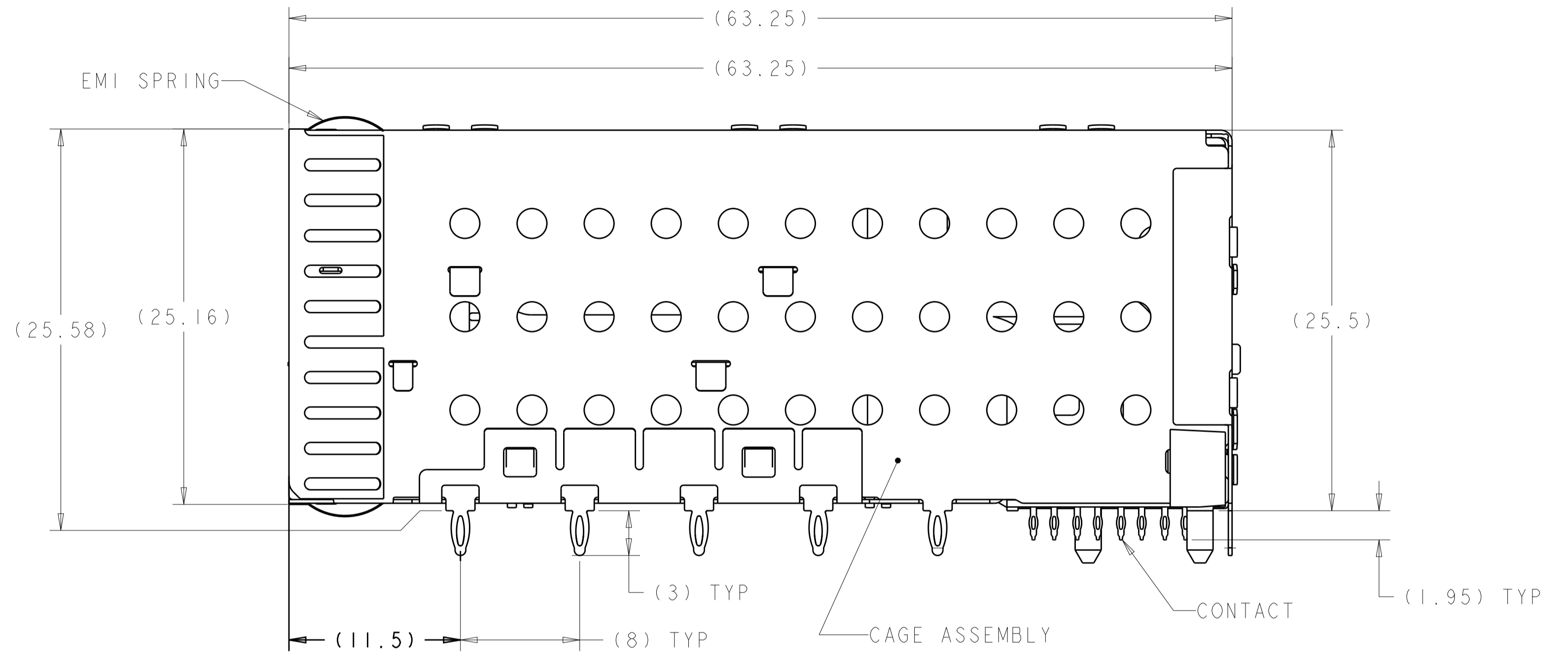
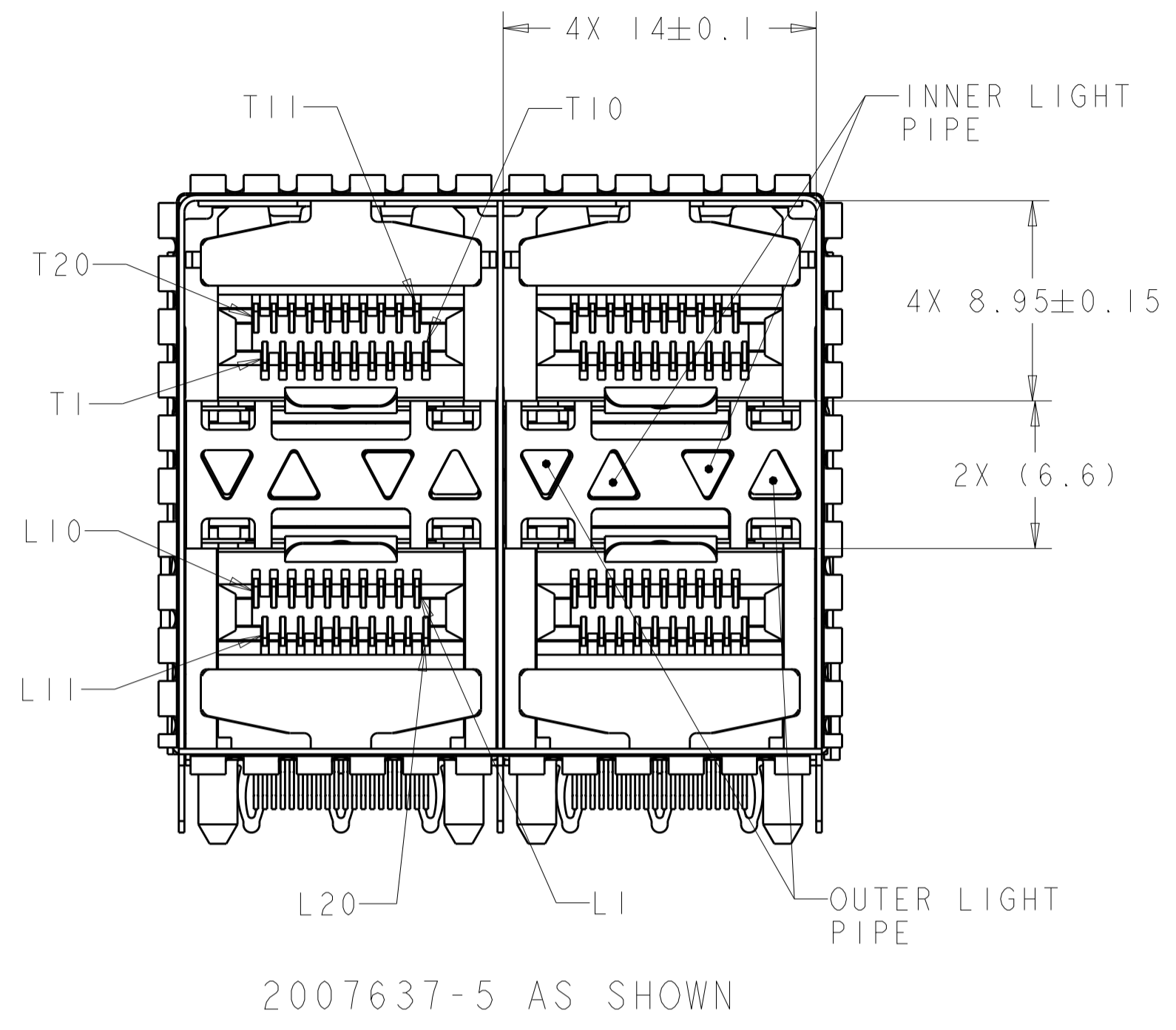


LOC	DIST	REVISIONS					
GP	00	P	LTN	DESCRIPTION	DATE	DWN	APVD
		C1		REVISED PER ECO-13-003678	05APR2013	CJV	PAR
		D		REVISED PER ECO-15-017922	04FEB2016	AP	PR
		E		REVISED PER ECR-19-016125	17OCT2019	IT	SH
		F		REVISED PER ECO-20-003508	14FEB2020	IT	SH



- 1 MATERIALS:
 CAGE ASSEMBLY- NICKEL SILVER ALLOY PER ASTM B 122.
 EMI SPRING- COPPER ALLOY.
 HOUSING- BLACK LCP, UL 94V-0 RATED.
 CHICKLET- BLACK LCP, UL 94V-0 RATED.
 LIGHT PIPE- POLYCARBONATE, CLEAR.
 INSERT - LCP, BLACK, UL 94V-0.
 CONTACT- COPPER ALLOY.
- 2 DATUM AND BASIC DIMENSIONS ESTABLISHED BY CUSTOMER.
- 3. MINIMUM PCB THICKNESS OF 1.5.
- 4 CONTACT FINISH- CONFORMS TO THE REQUIREMENTS OF TE CONNECTIVITY PRODUCT SPECIFICATION 108-2331, BASED ON EIA/ECA-364-1000.01A, (CONTROLLED ENVIRONMENT APPLICATIONS) ON MATING INTERFACE, TIN-LEAD ON NEEDLE EYE.
- 5 CONTACT FINISH- CONFORMS TO THE REQUIREMENTS OF TE CONNECTIVITY PRODUCT SPECIFICATION 108-2331, BASED ON EIA/ECA-364-1000.01A, (CONTROLLED ENVIRONMENT APPLICATIONS) ON MATING INTERFACE, TIN ON NEEDLE EYE.
- 6 FOR HOLE SIZE AND PLATINGS, SEE APPLICATION SPEC 114-13219.
- 7 THE ENTIRE AREA OF THE CONNECTOR FOOTPRINT, INDICATED BY THE DASHED LINE, TO BE CONSIDERED THE KEEPOUT AREA FOR COMPONENTS AND SIGNAL TRACES, TOP SIDE ONLY. TOP SIDE TRACES ALLOWED WITHIN CONNECTOR HOLE PATTERN.
- 8 LIGHT PIPE PAD LAYOUT IS FOR 0805 LOW PROFILE LED PACKAGE WITH A HEIGHT OF 0.8mm.

- 9 EMI SPRING FINISH: 0.8µm MINIMUM MATTE TIN OVER 0.8µm MINIMUM NICKEL, NONPLATED EDGES PERMISSIBLE.
- 10 ADDITIONAL COMPONENT LOCATED WITHIN LATCH PLATE FOR EMI SUPPRESSION.
- 11 CAGE ASSEMBLY FINISH: NICKEL 1.27UM MIN ALL OVER, NONPLATED EDGES PERMISSIBLE.
- 12 LOW CL/BR AS DEFINED IN TEC-138-702.

NO	DESCRIPTION	PART NUMBER
NO	OUTER 2 LIGHT PIPES	3-2007637-7
NO	4 LIGHT PIPES	3-2007637-5
NO LIGHT PIPES		1-2007637-8
YES 10	OUTER 2 LIGHT PIPES	1-2007637-7
YES 10	INNER 2 LIGHT PIPES	1-2007637-6
YES 10	4 LIGHT PIPES	1-2007637-5
NO	NO LIGHT PIPES	2007637-8
NO	OUTER 2 LIGHT PIPES	2007637-7
NO	INNER 2 LIGHT PIPES	2007637-6
NO	4 LIGHT PIPES	2007637-5
NO	NO LIGHT PIPES	2007637-4
NO	OUTER 2 LIGHT PIPES	2007637-3
NO	INNER 2 LIGHT PIPES	2007637-2
NO	4 LIGHT PIPES	2007637-1

THIS DRAWING IS A CONTROLLED DOCUMENT. DIMENSIONING AND TOLERANCING PER ASME Y14.5M-2009. TOLERANCES UNLESS OTHERWISE SPECIFIED:

DIMENSIONS:	mm	0 PLC ±0.10	1 PLC ±0.10	2 PLC ±0.10	3 PLC ±0.10	4 PLC ±0.10	ANGLES ±°	FINISH
-------------	----	-------------	-------------	-------------	-------------	-------------	-----------	--------

MATERIAL: 1

4 5 9

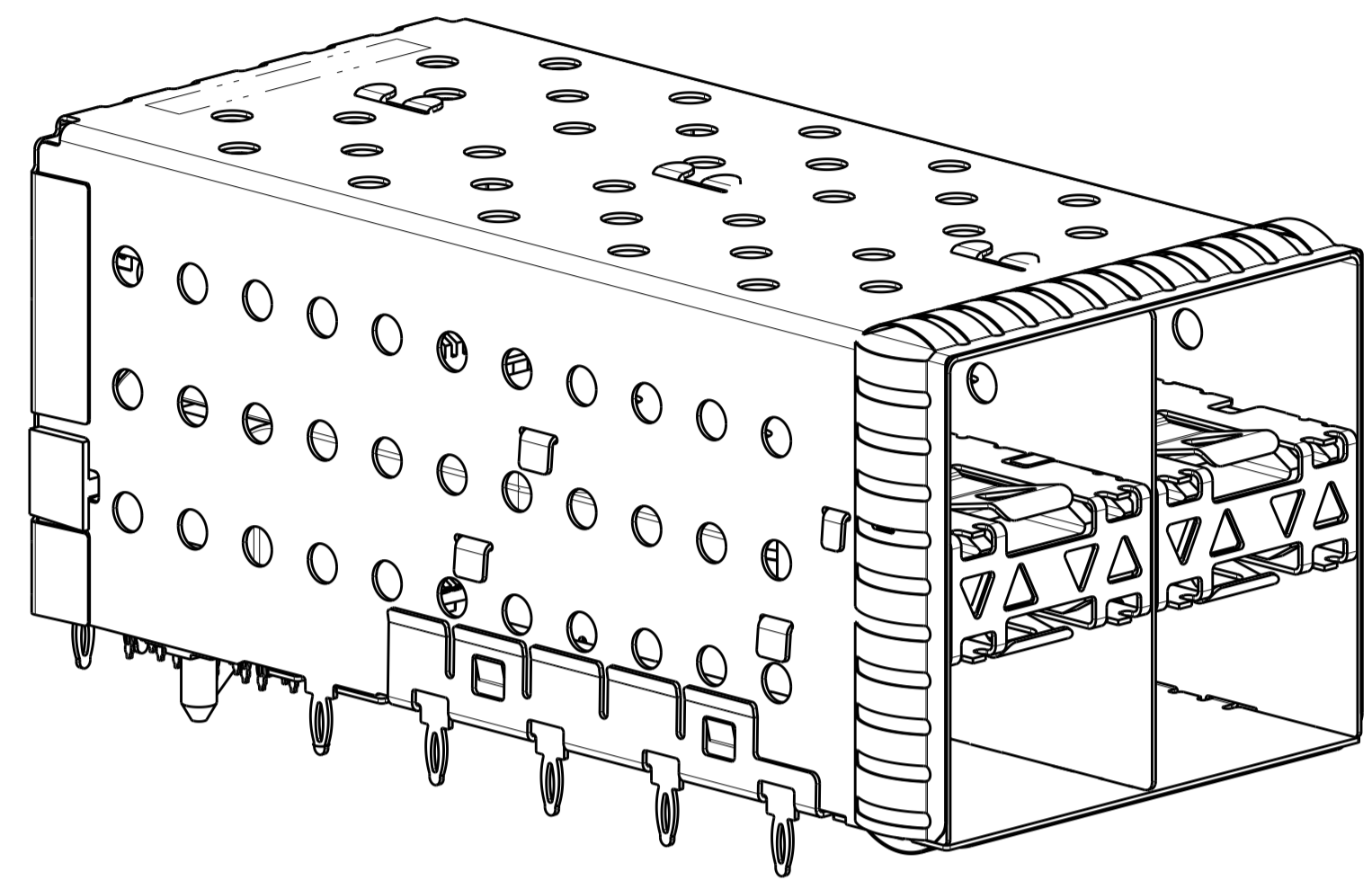
OWN: M. SHIRK 23JAN2008
 CHK: D. SZCZESNY 23JAN2008
 APVD: D. SZCZESNY 23JAN2008

NAME: CAGE AND PT CONNECTOR ASSEMBLY, WITH EMI SPRINGS, PRESS FIT, 2X2, STACKED SFP+
 PRODUCT SPEC: 108-2331
 APPLICATION SPEC: 114-13219
 WEIGHT: -
 CUSTOMER DRAWING

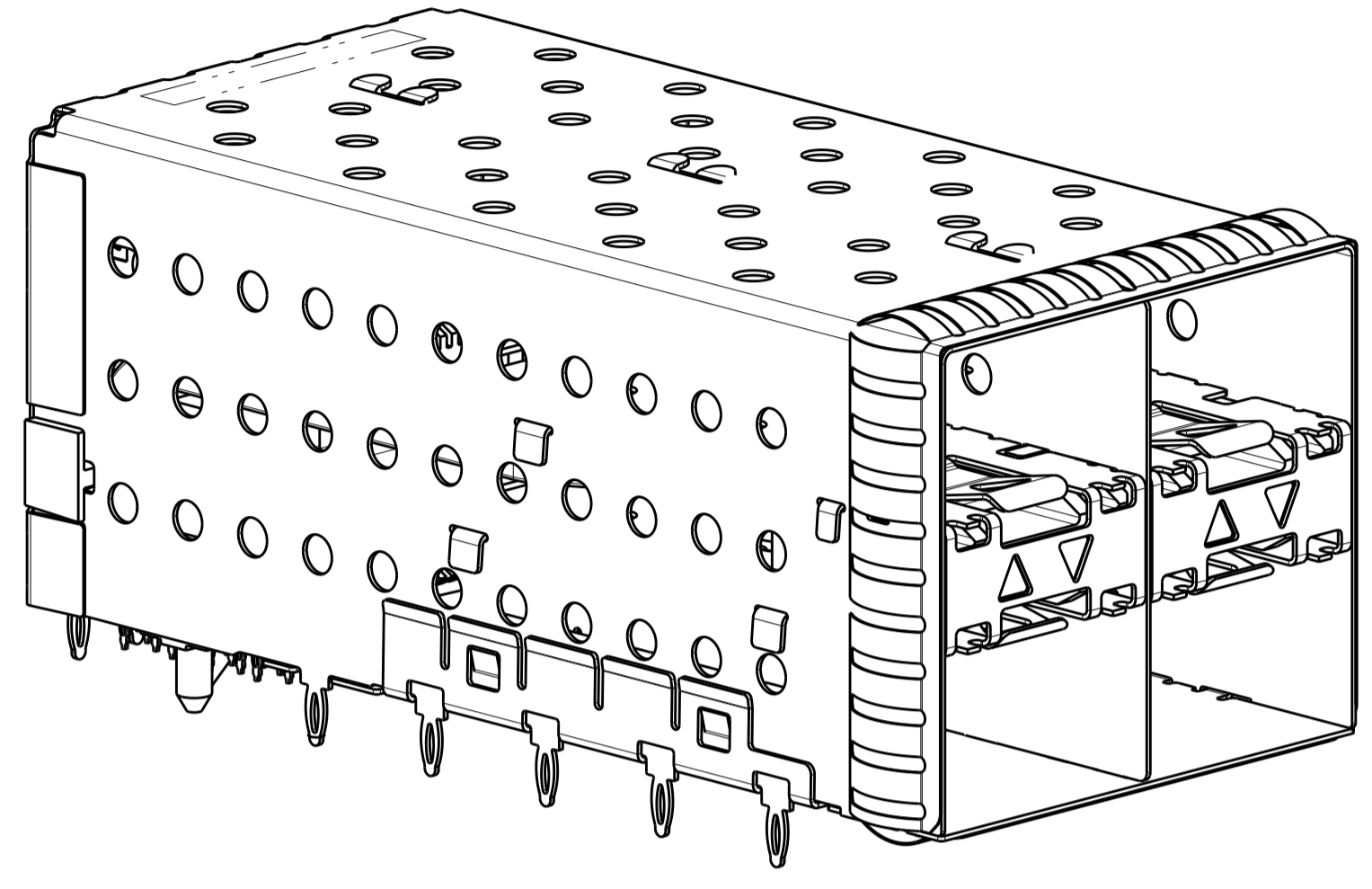
SCALE: 4:1 SHEET 1 OF 4 REV F

THIS DRAWING IS UNPUBLISHED. RELEASED FOR PUBLICATION 20
 COPYRIGHT 20 BY ALL RIGHTS RESERVED.

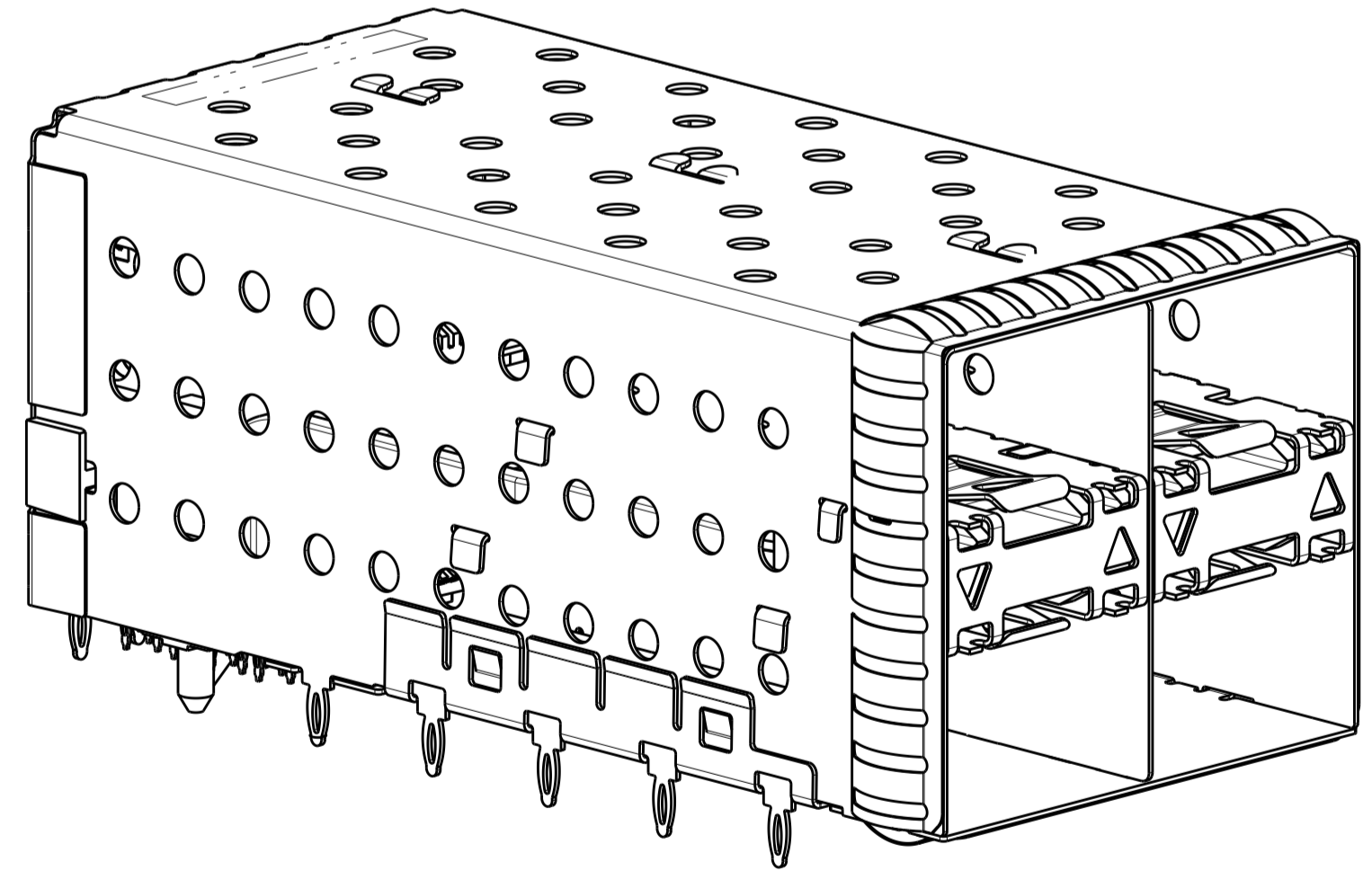
LOC		DIST		REVISIONS			
GP	00	P	LYR	DESCRIPTION	DATE	DWN	APVD
				SEE SHEET 1			



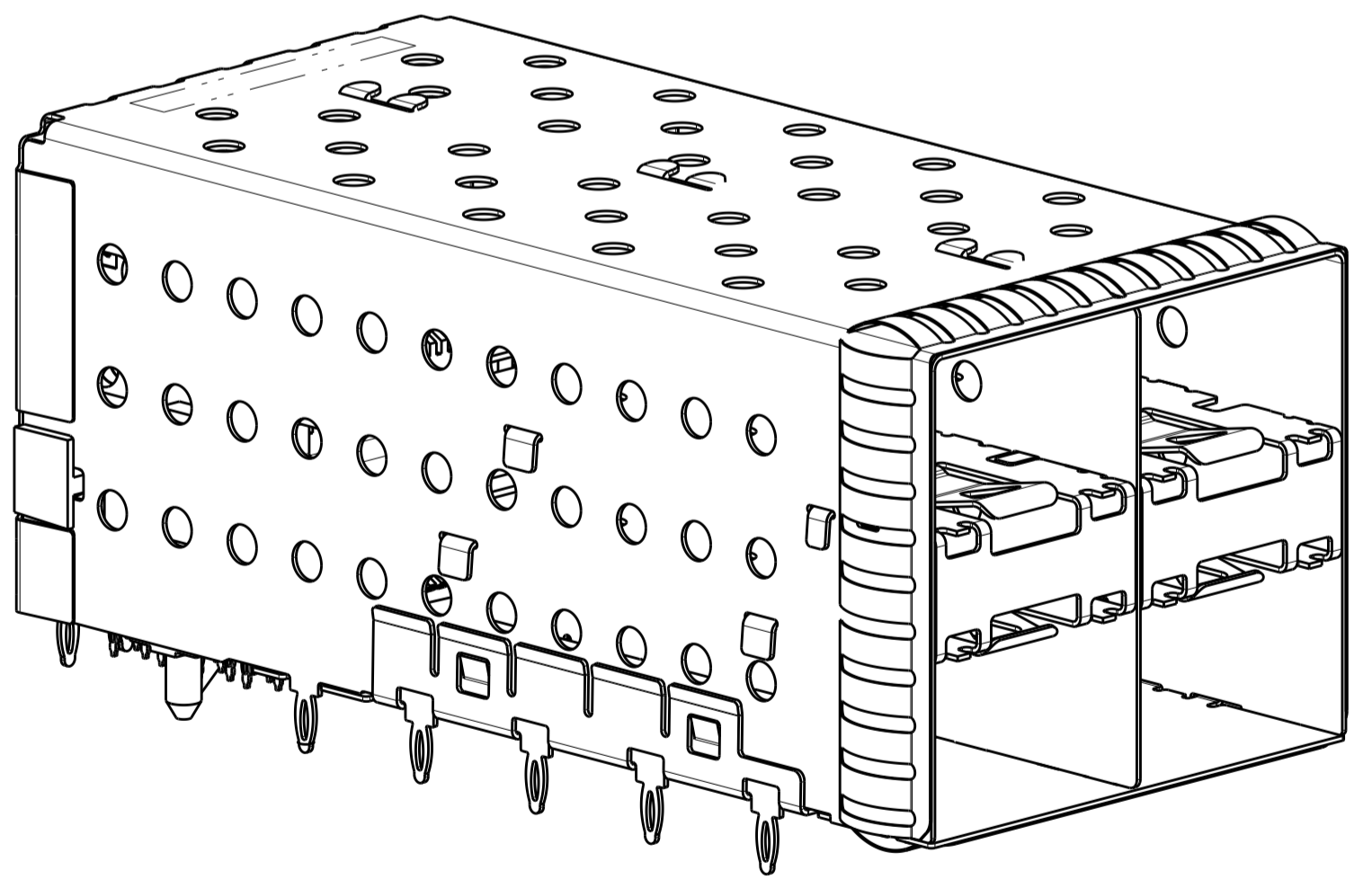
2007637-5, 1-2007637-5, 3-2007637-5
 SCALE 3:1



2007637-6 AND 1-2007637-6
 SCALE 3:1



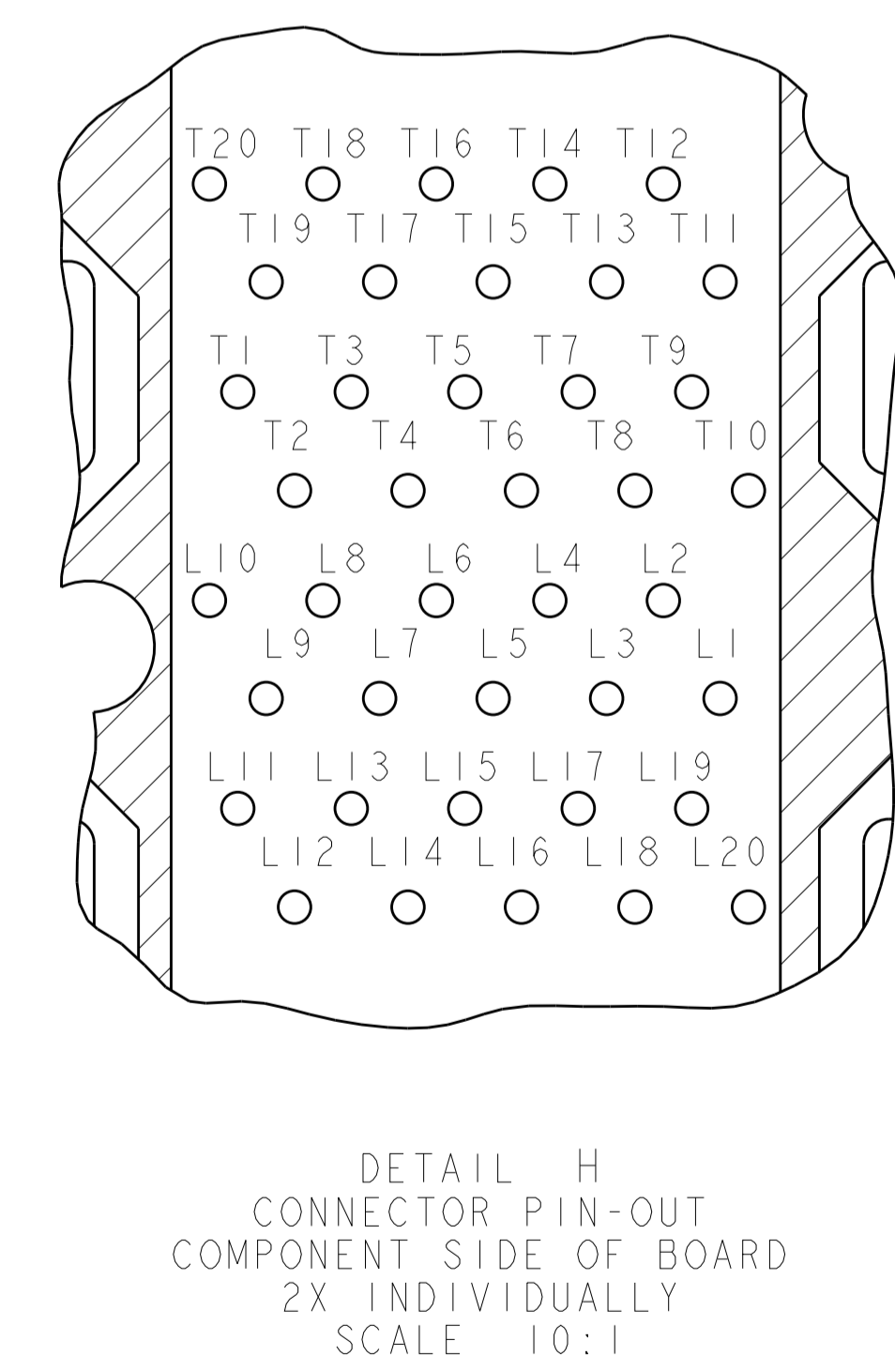
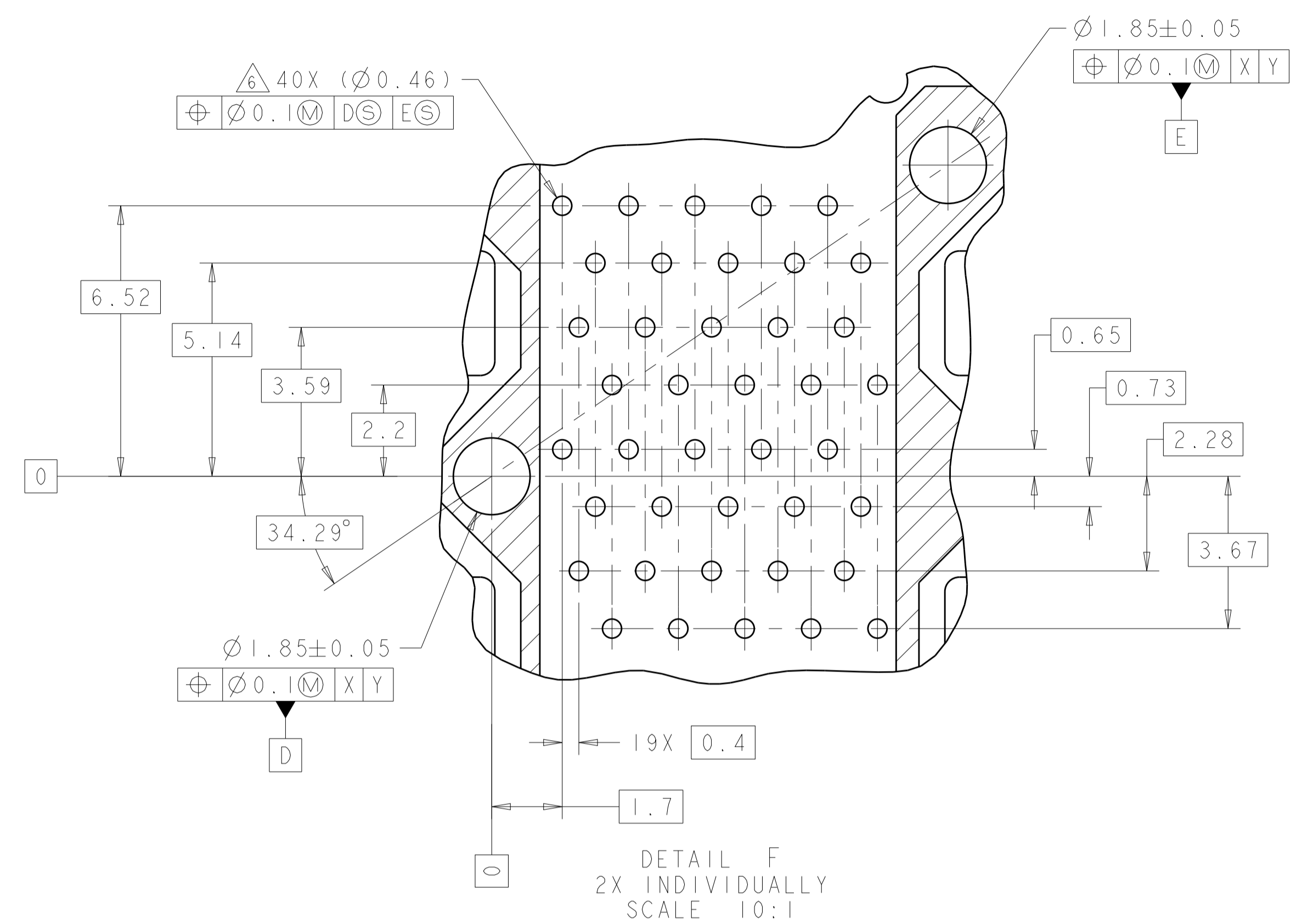
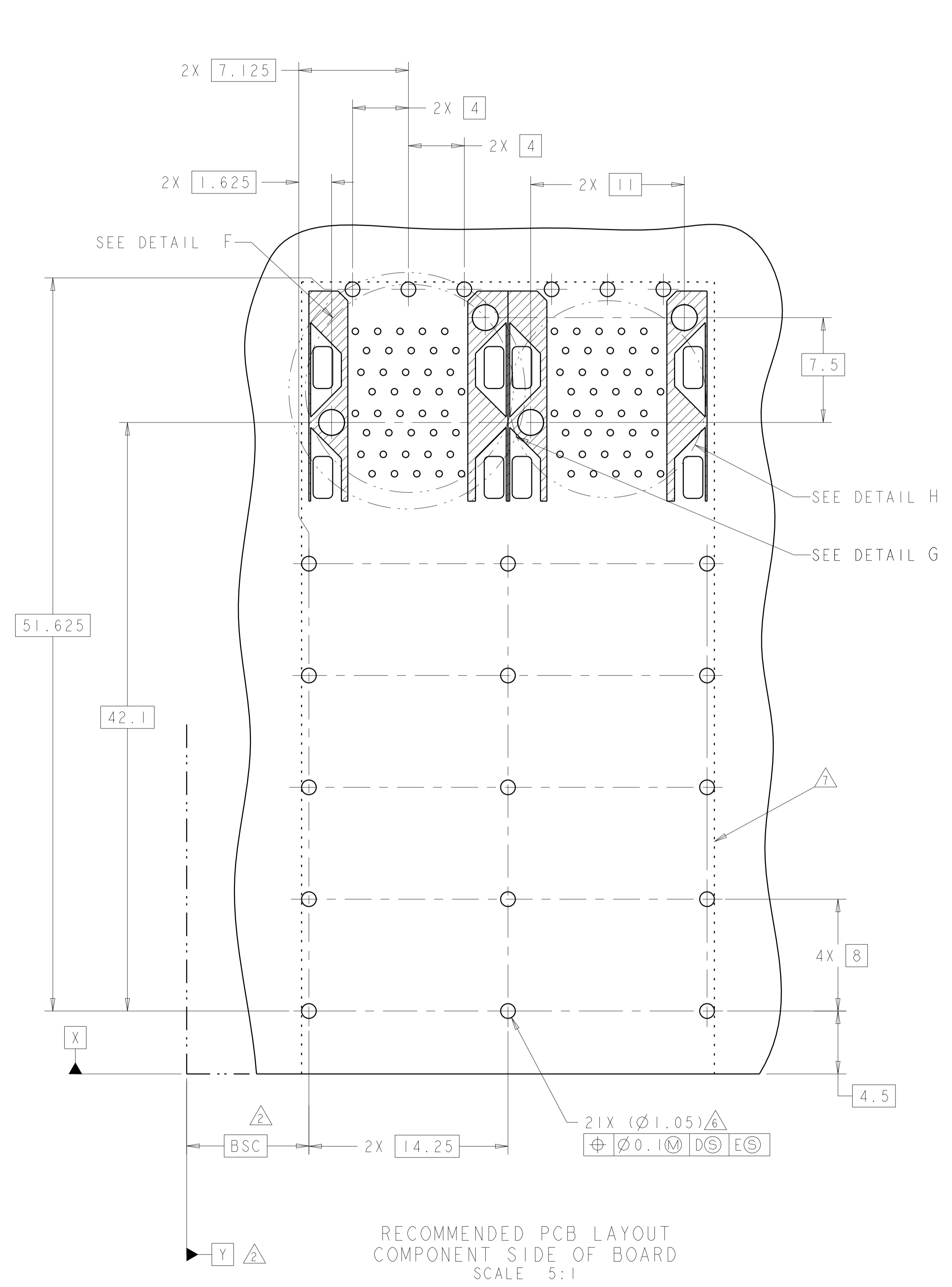
2007637-7, 1-2007637-7, 3-2007637-7
 SCALE 3:1



2007637-8 AND 1-2007637-8
 SCALE 3:1

THIS DRAWING IS A CONTROLLED DOCUMENT. DIMENSIONING AND TOLERANCING PER ASME Y14.5M-2009.		DWN M. SHIRK 23JAN2008	TE Connectivity
DIMENSIONS: mm		CHK D. SZCZESNY 23JAN2008	
TOLERANCES UNLESS OTHERWISE SPECIFIED:		APVD D. SZCZESNY 23JAN2008	NAME CAGE AND PT CONNECTOR ASSEMBLY, WITH EMI SPRINGS, PRESS FIT, 2X2, STACKED SFP+
0 PLC ±0.10 1 PLC ±0.10 2 PLC ±0.10 3 PLC ±0.10 4 PLC ±0.10 ANGLES ±°		PRODUCT SPEC 108-2331	
MATERIAL FINISH		APPLICATION SPEC 114-13219	SIZE A100779
		WEIGHT	CAGE CODE DRAWING NO C=2007637
		CUSTOMER DRAWING	RESTRICTED TO SCALE 4:1 SHEET 2 OF 4 REV F

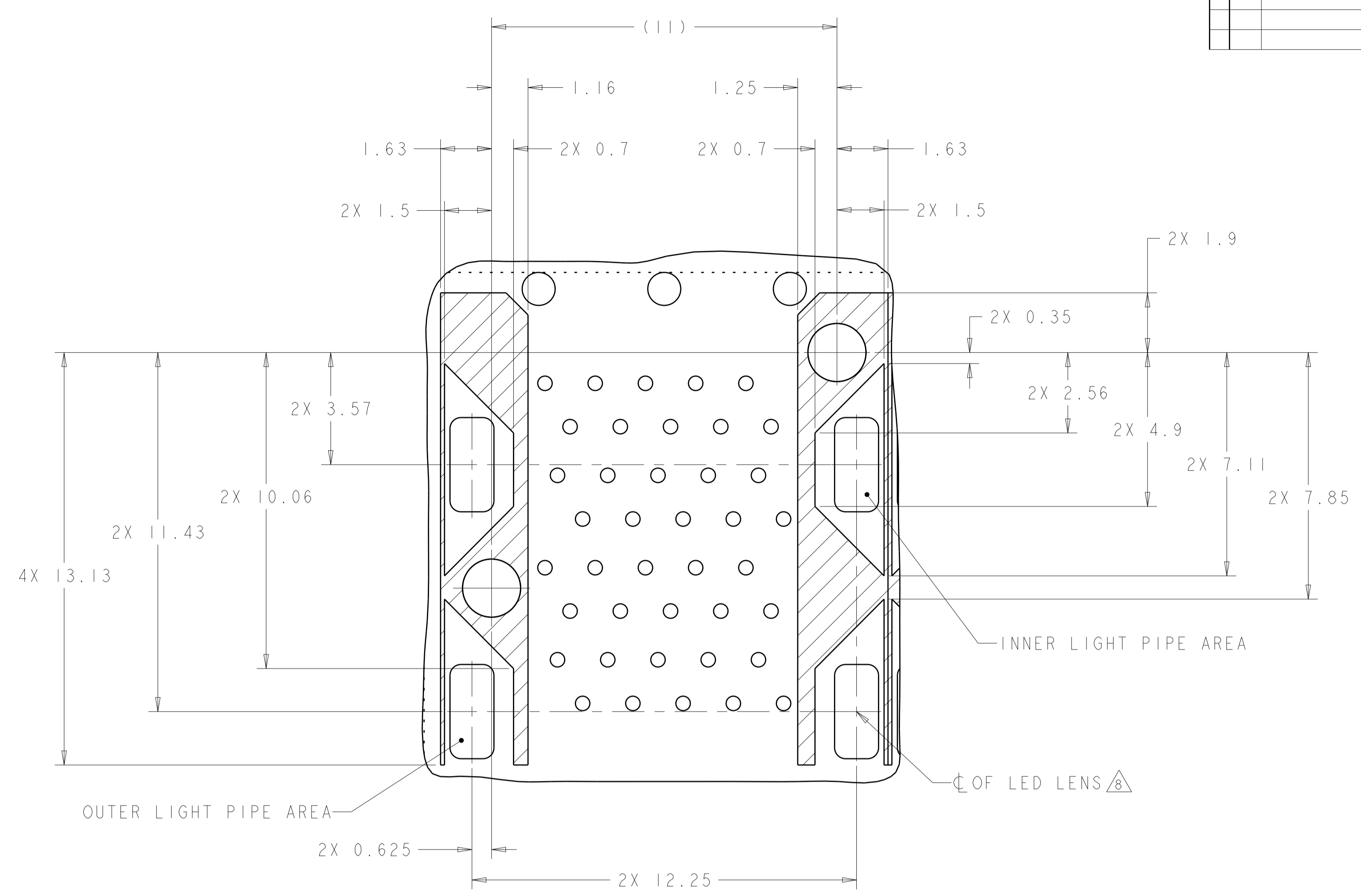
REVISONS		DATE	OWN	APVD
GP	00			
DESCRIPTION				
SEE SHEET 1				



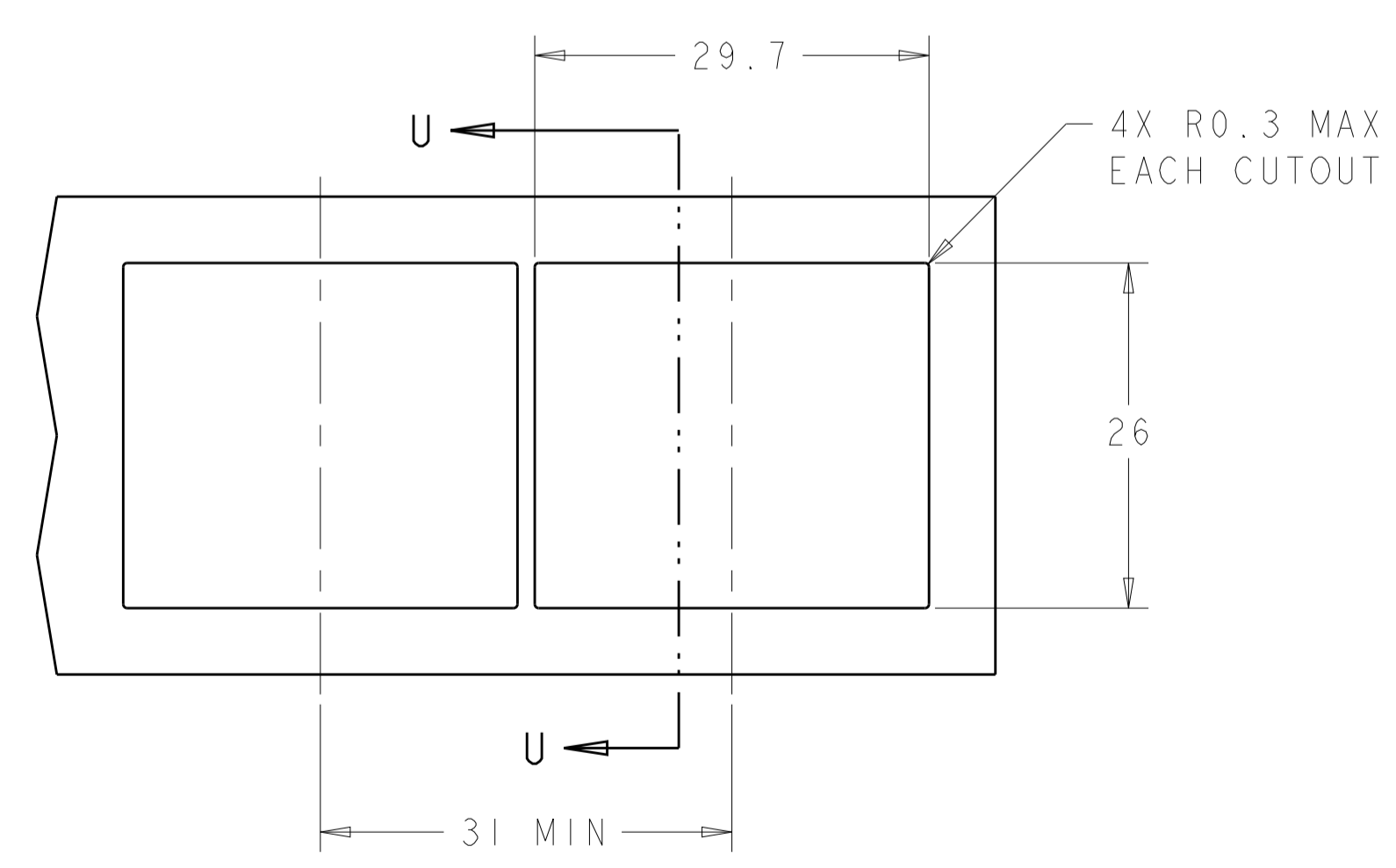
THIS DRAWING IS A CONTROLLED DOCUMENT. DIMENSIONING AND TOLERANCING PER ASME Y14.5M-2009.		OWN: M. SHIRK 23JAN2008	TE Connectivity NAME: CAGE AND PT CONNECTOR ASSEMBLY, WITH EMI SPRINGS, PRESS FIT, 2X2, STACKED SFP+
DIMENSIONS: mm		CHK: D. SZCZESNY 23JAN2008	
TOLERANCES UNLESS OTHERWISE SPECIFIED:		APVD: D. SZCZESNY 23JAN2008	PRODUCT SPEC: 108-2331
0 PLC ±0.10	1 PLC ±0.10	APPLICATION SPEC: 114-13219	SIZE: A100779
2 PLC ±0.10	3 PLC ±0.10	WEIGHT: -	SCALE: 4:1
4 PLC ±0.10	ANGLES ±°	CUSTOMER DRAWING	SHEET 3 OF 4
MATERIAL: -	FINISH: -		REV F

LOC	DIST	REV	DATE	BY	APPD
GP	00				

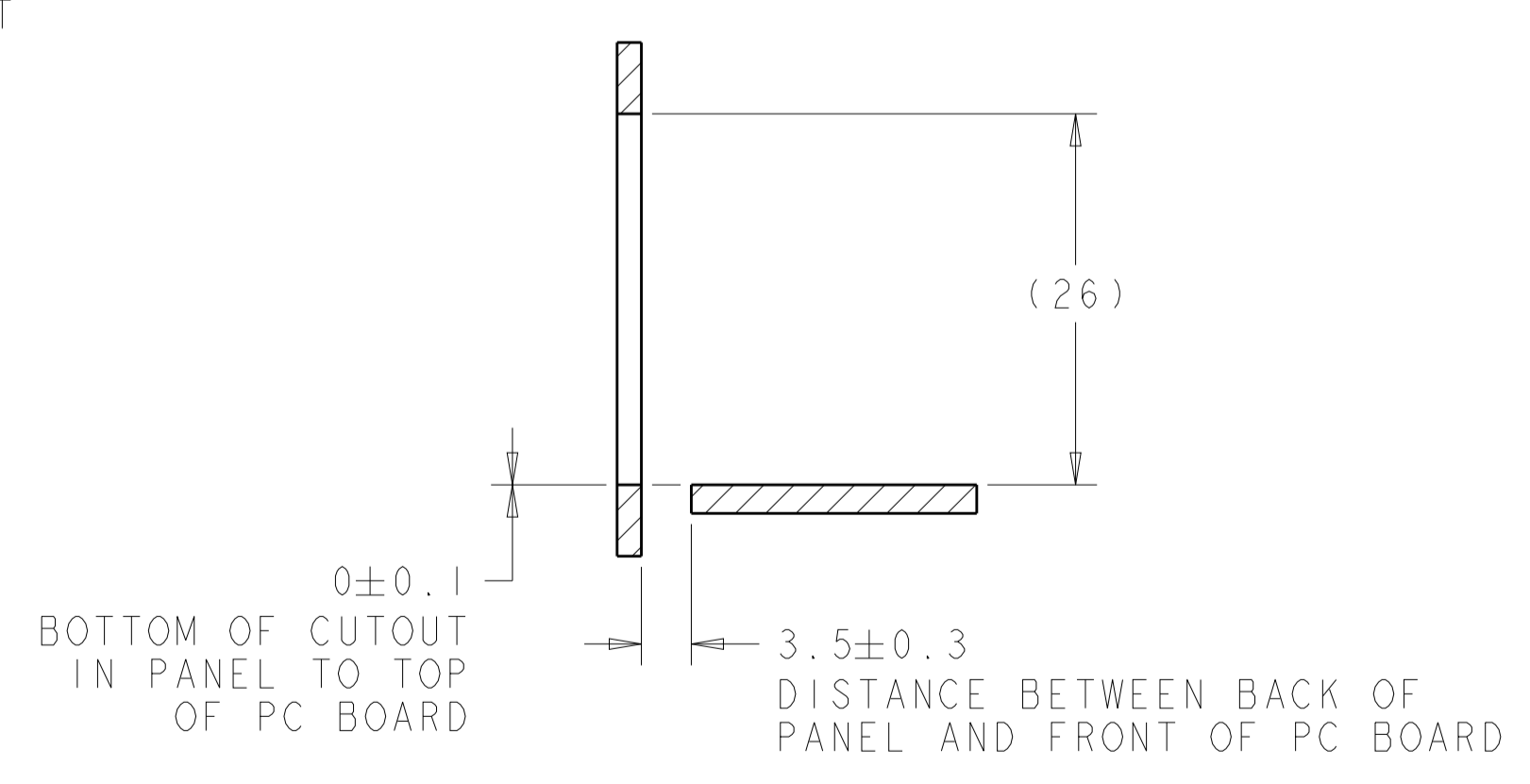
REVISIONS					
REV	DATE	BY	APPD	DESCRIPTION	
-	-	-	-	SEE SHEET 1	



DETAIL G
 CONNECTOR HOUSING
 KEEPOUT ZONE
 2X INDIVIDUALLY
 SCALE 10:1



RECOMMENDED PANEL CUTOUT
 AND PC BOARD, PANEL POSITION
 SCALE 2:1



SECTION U-U

THIS DRAWING IS A CONTROLLED DOCUMENT. DIMENSIONING AND TOLERANCING PER ASME Y14.5M-2009		OWN: M. SHIRK 23JAN2008 CHK: D. SZCZESNY 23JAN2008 APPD: D. SZCZESNY 23JAN2008	TE Connectivity NAME: CAGE AND PT CONNECTOR ASSEMBLY, WITH EMI SPRINGS, PRESS FIT, 2X2, STACKED SFP+	
DIMENSIONS: mm	TOLERANCES UNLESS OTHERWISE SPECIFIED:	PRODUCT SPEC: 108-2331		
MATERIAL:	FINISH:	WEIGHT:	SIZE: A100779	SCALE: 4:1
CUSTOMER DRAWING			SHEET 4 OF 4	REV F

X-ON Electronics

Largest Supplier of Electrical and Electronic Components

Click to view similar products for [I/O Connectors](#) category:

Click to view products by [TE Connectivity](#) manufacturer:

Other Similar products are found below :

[571763P](#) [58098-0628](#) [72.250.1628.2](#) [72.250.2428.2](#) [74720-0505](#) [76.350.0729.0](#) [76871-1403](#) [FCN-244F080-G/1](#) [FCN-260A9920](#) [PCR-E36PM](#) [PCS-XE26MA+](#) [G38A71314B](#) [1571250010](#) [157-22500-3](#) [MS3471L14-19P L/C](#) [172501-4002](#) [172501-6002](#) [FCN-260C008-A/L0](#) [FCN-260C024-AL0](#) [FCN-261Z008](#) [2000314-1](#) [200331-1](#) [PCR-E36FC+](#) [PCS-E28FS+](#) [PCS-XE26SLFD+](#) [PCS-XE26SLFDT+](#) [G730VID08BDC24](#) [U90B2054081210](#) [38113800006](#) [DP3AR020WQ1R200](#) [Z4.102.0680.0](#) [500-1040](#) [500-1052](#) [500-1054](#) [ZP-4008-66L](#) [0709821002](#) [DX40-20P\(55\)](#) [5554841-1](#) [MS3474W18-8P-LC*](#) [U90B3054061110](#) [U65-E04-4020](#) [ZPF000000000097891](#) [747360449](#) [10099439-003C-TRLF](#) [10137239-0021LF](#) [E9320-001-01](#) [10137239-0011LF](#) [70289-001LF](#) [70.060.1028.0](#) [109029-ZZ](#)