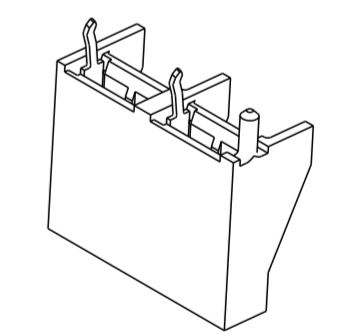
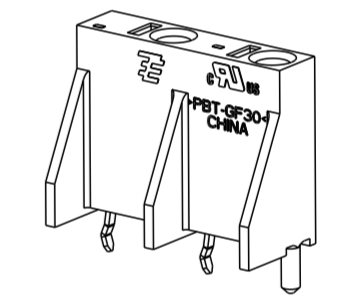
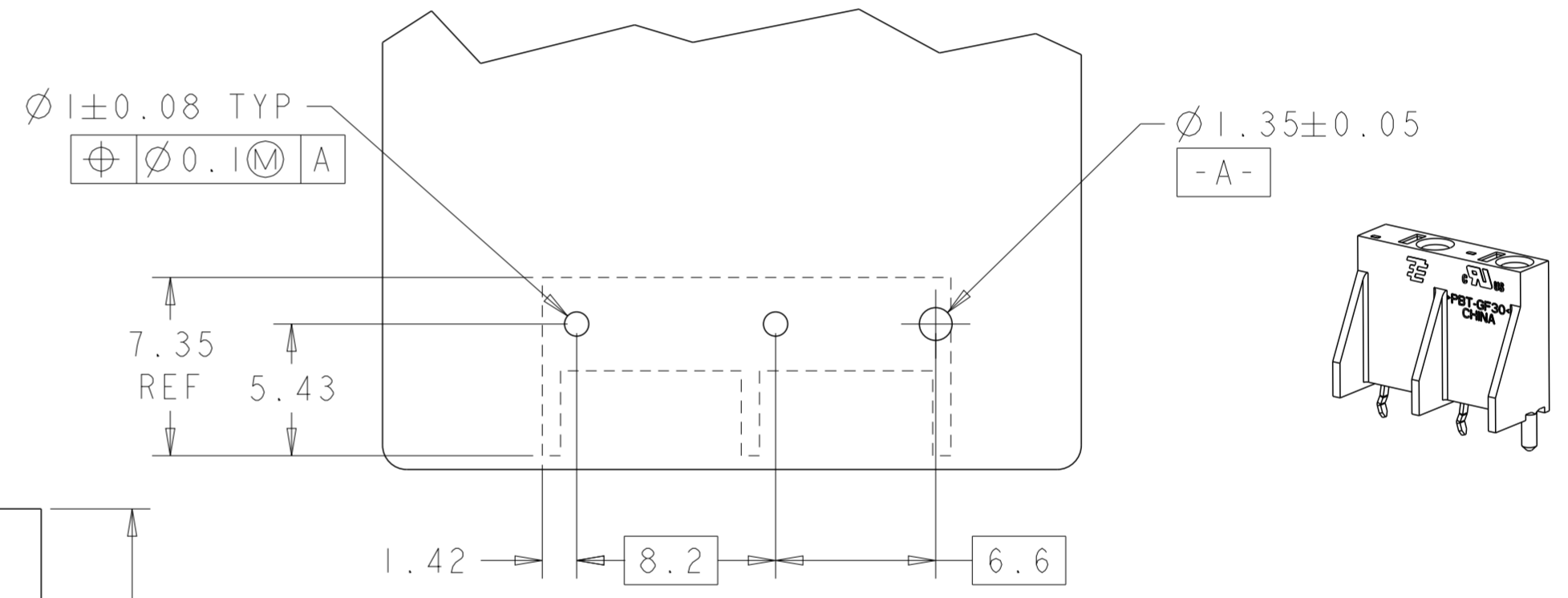
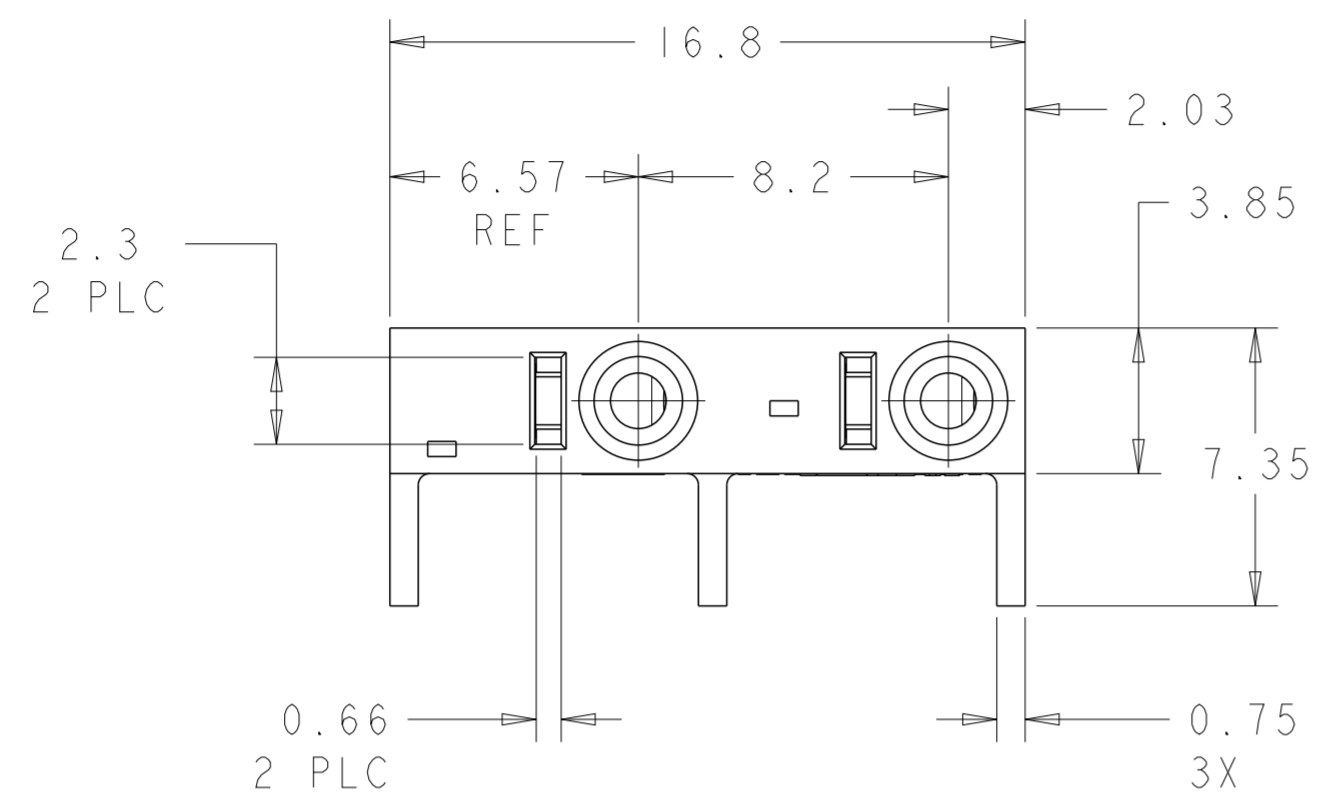


THIS DRAWING IS UNPUBLISHED. RELEASED FOR PUBLICATION 20  
 © COPYRIGHT 20 BY - ALL RIGHTS RESERVED.

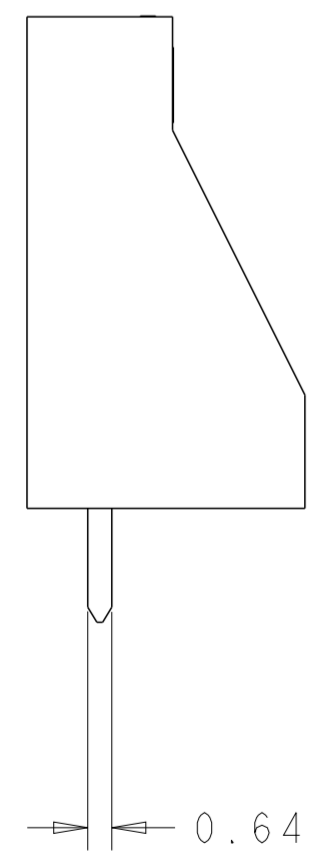
REVISIONS				
P	LTR	DESCRIPTION	DATE	APVD
A4		REVISED PER ECR-09-013820	17JUL2009	HMR DD
A5		REVISED PER ECR-16-015337	03NOV2016	RK ASM

NOTES:

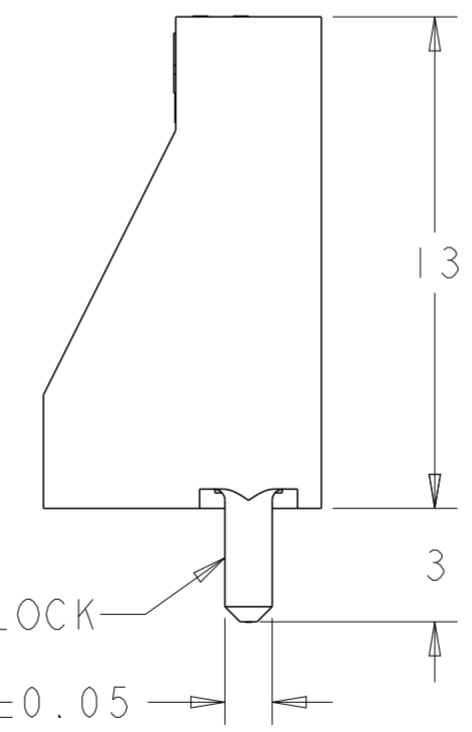
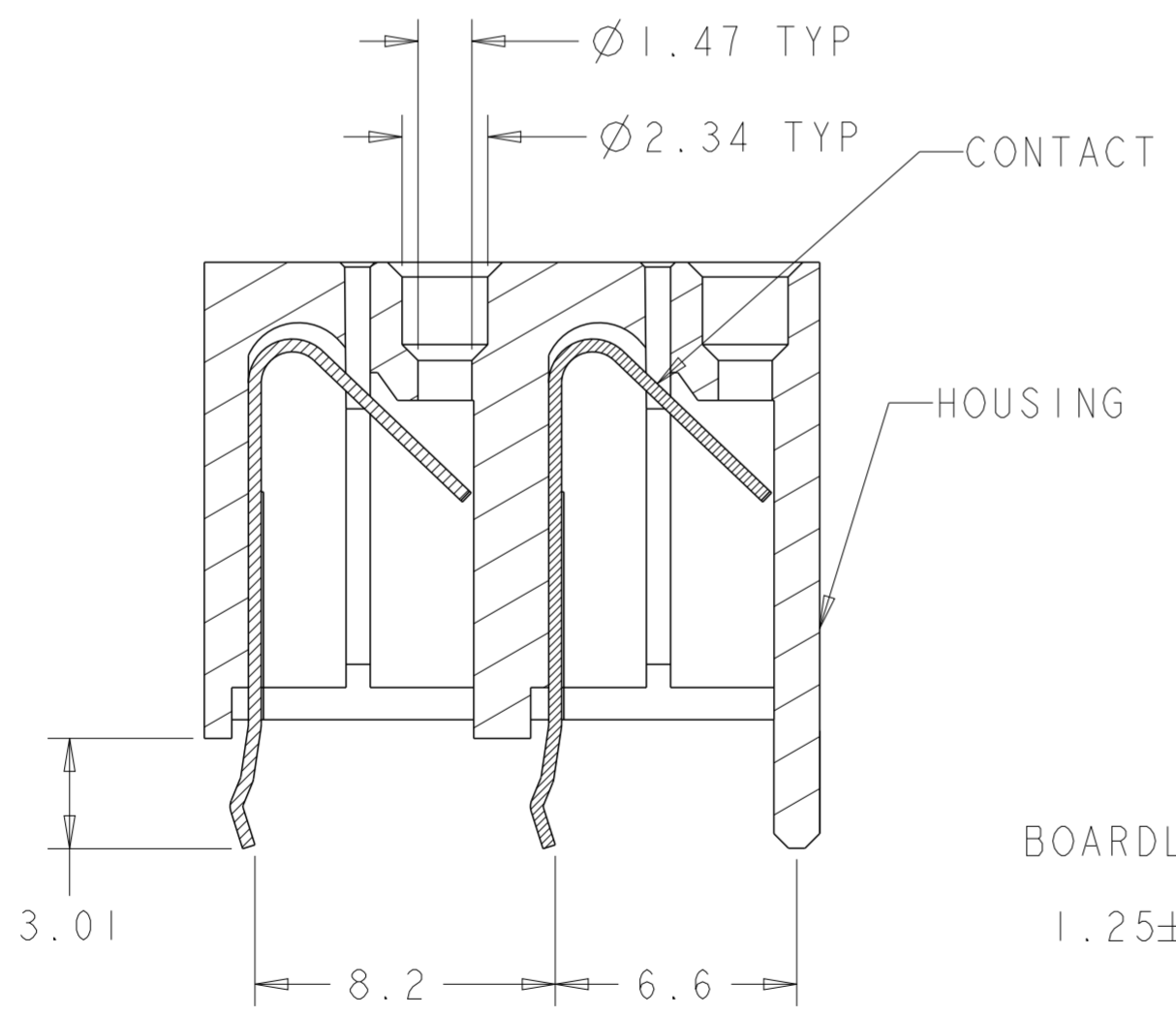
- MATERIAL:  
 HOUSING - PBT, UL94-V0, COLOR BLACK(2008552-2 & -3) OR  
 PBT, UL94-V0, COLOR GRAY(1-2008552-2)  
 CONTACTS - PHOSPHOR BRONZE  
 0.35 MM STOCK THICKNESS
  - PLATING:  
 CONTACTS - PRE PLATED TIN OVER NICKEL
  - WIRE SIZE: 18 AWG SOLID  
 2.2 MM MAX INSULATION DIAMETER  
 9.5±1.0 MM INSULATION STRIP LENGTH
- △ SUPERSEDED BY P/N 1-2008552-2.



SCALE 2:1



WIDTH OF SOLDER TAIL  
 BOARDLOCK REMOVED  
 FROM VIEW FOR CLARITY



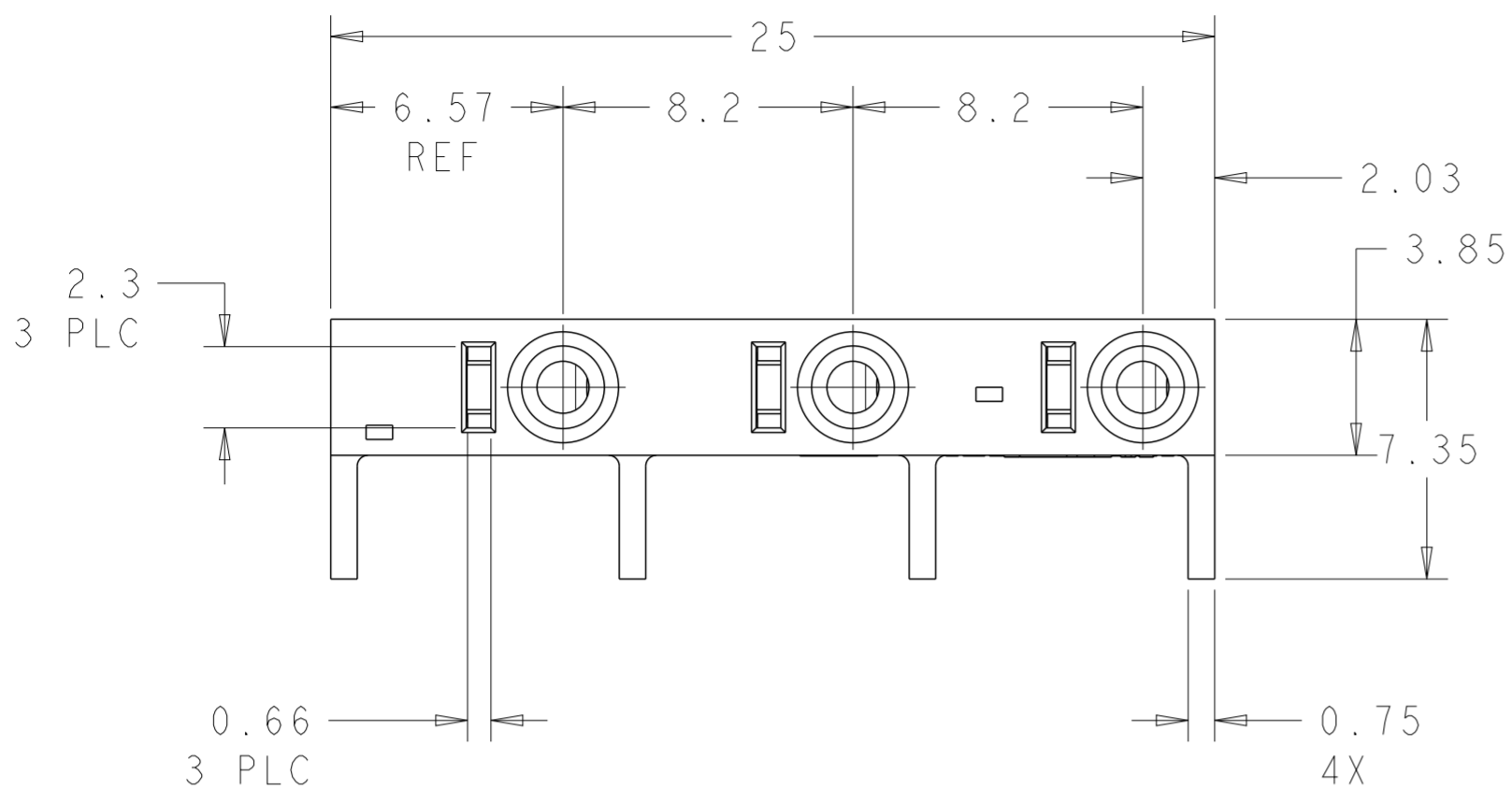
PCB LAYOUT  
 VIEWED FROM CONNECTOR SIDE  
 SCALE 4:1

△ OBSOLETE	GRAY	2 POSITION CONNECTOR	1-2008552-2
	BLACK	2 POSITION CONNECTOR	2008552-2
	HOUSING COLOR	DESCRIPTION	PART NO

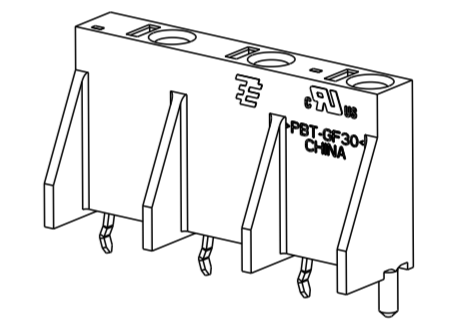
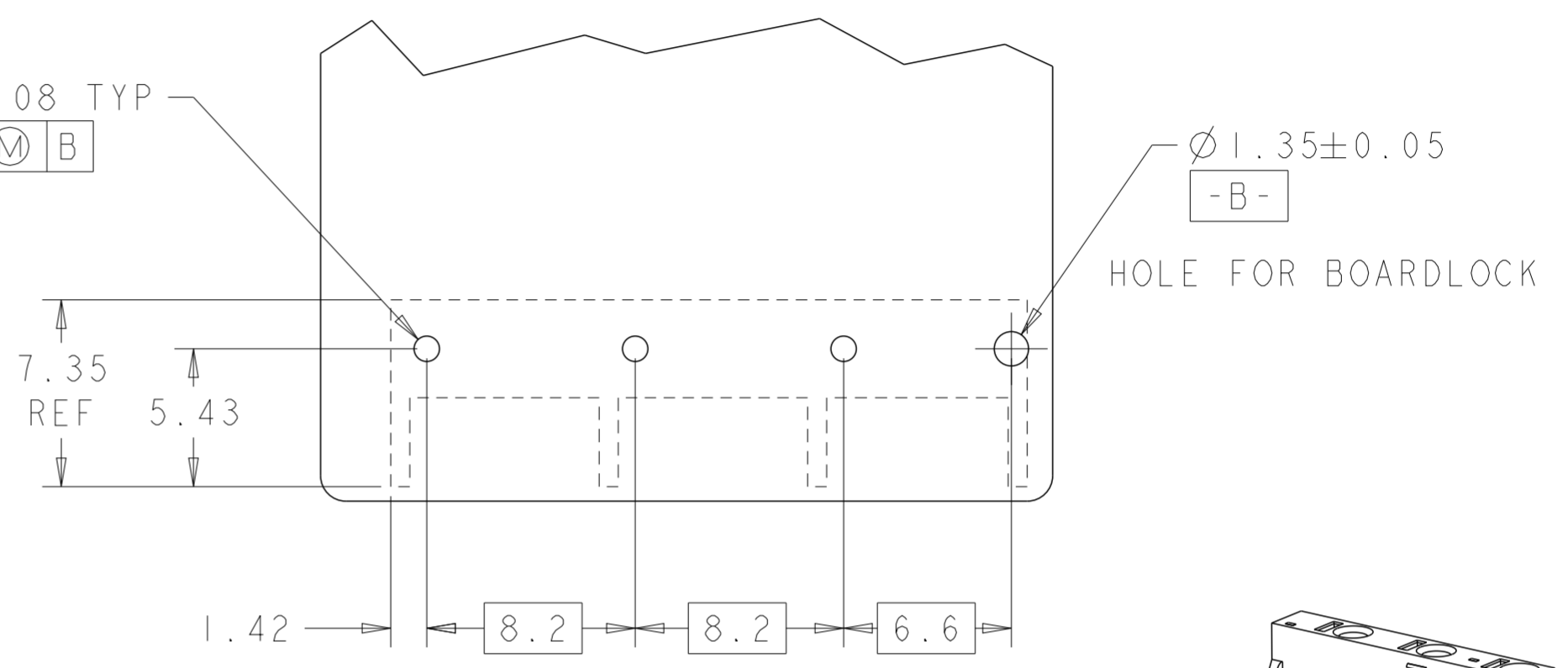
THIS DRAWING IS A CONTROLLED DOCUMENT.		DWN S FISHER 12OCT2007	TE Connectivity		
DIMENSIONS: mm		CHK S HORST 12OCT2007			
TOLERANCES UNLESS OTHERWISE SPECIFIED:		APVD - 12OCT2007			
0 PLC ± 1 PLC ±0.5 2 PLC ±0.13 3 PLC ±0.013 4 PLC ±0.0001 ANGLES ± FINISH -		PRODUCT SPEC 108-2059-1	NAME ASSEMBLY, WIRE CONNECTOR IN-LINE VERTICAL SCREWLESS		
MATERIAL -		APPLICATION SPEC 114-13223	SIZE A2	CAGE CODE 00779	DRAWING NO C-2008552
		WEIGHT -	RESTRICTED TO -		
		CUSTOMER DRAWING	SCALE 3:1	SHEET 1 OF 2	REV A5

THIS DRAWING IS UNPUBLISHED. RELEASED FOR PUBLICATION 20  
 © COPYRIGHT 20 BY - ALL RIGHTS RESERVED.

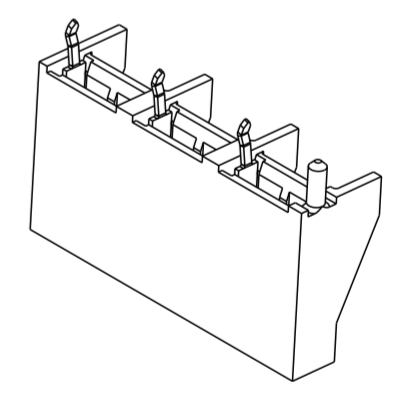
REVISIONS				
P	LTR	DESCRIPTION	DATE	APVD
-	-	SEE SHEET 1	-	-



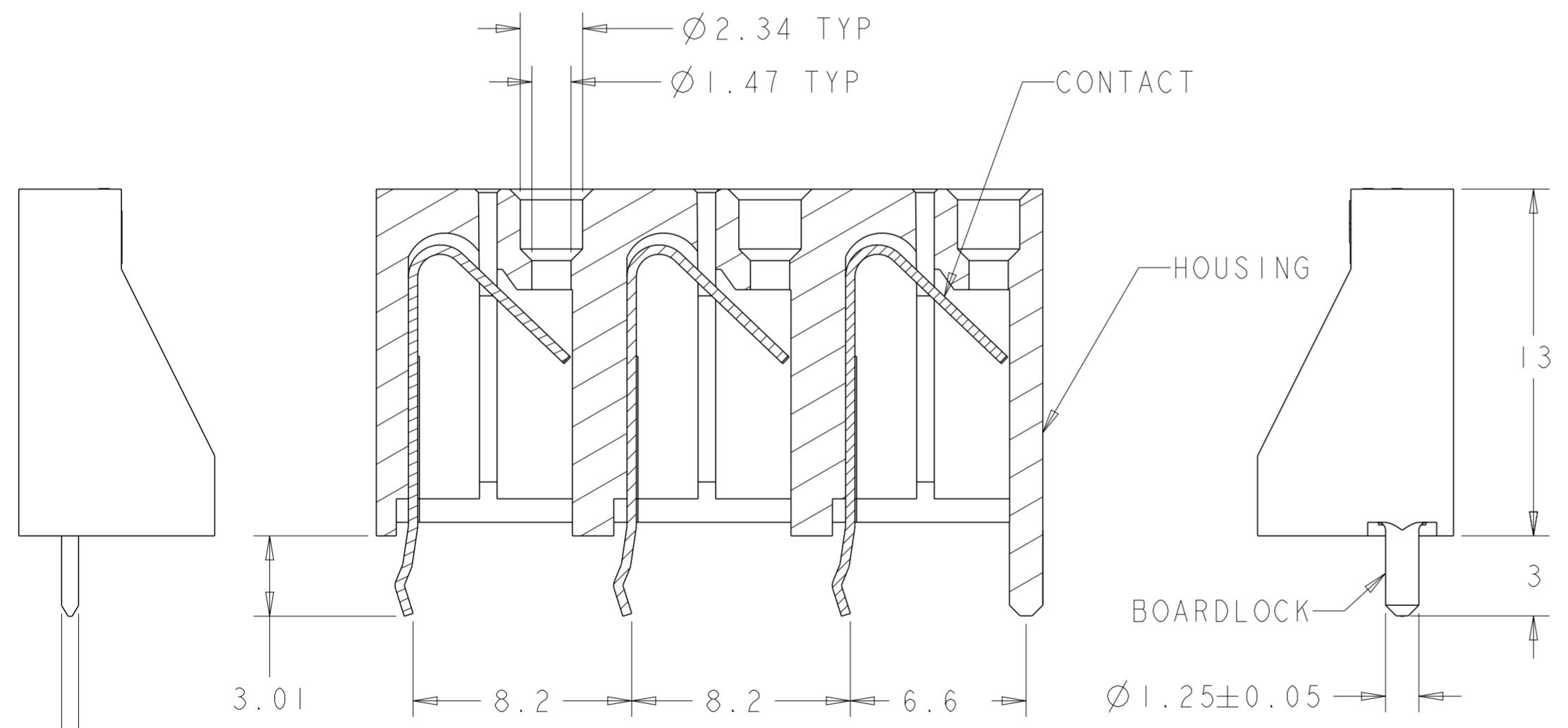
$\varnothing 1 \pm 0.08$  TYP  
 $\varnothing 0.1 \text{ M B}$



SCALE 4:1



SCALE 2:1



$\varnothing 1.25 \pm 0.05$

WIDTH OF SOLDER TAIL  
 BOARDLOCK REMOVED  
 FROM VIEW FOR CLARITY

SECTION Z-Z

THIS DRAWING IS A CONTROLLED DOCUMENT.	
DIMENSIONS:	TOLERANCES UNLESS OTHERWISE SPECIFIED:
mm	0 PLC ±
	1 PLC ±0.5
	2 PLC ±0.13
	3 PLC ±0.013
	4 PLC ±0.0001
	ANGLES ±
MATERIAL	FINISH
-	-
-	-

3 POSITION CONNECTOR		2008552-3	
DESCRIPTION		PART NO	
DWN S FISHER 12OCT2007 CHK S HORST 12OCT2007 APVD - 12OCT2007		<b>STE</b> TE Connectivity	
PRODUCT SPEC 108-2059-1 APPLICATION SPEC 114-13223		NAME ASSEMBLY, WIRE CONNECTOR IN-LINE VERTICAL SCREWLESS	
SIZE	CAGE CODE	DRAWING NO	RESTRICTED TO
A2	00779	C-2008552	-
CUSTOMER DRAWING		SCALE 3:1	SHEET 2 OF 2 REV A5

## X-ON Electronics

Largest Supplier of Electrical and Electronic Components

*Click to view similar products for [Lighting Connectors](#) category:*

*Click to view products by [TE Connectivity](#) manufacturer:*

Other Similar products are found below :

[293300-7](#) [293660-5](#) [CNX\\_H03\\_NTP](#) [30-9767-BU](#) [3605](#) [3-21030-1](#) [ZCH-110-RGB-I](#) [503471-0290](#) [ZCH-110-RGB-J](#) [217-0716-200](#)  
[1954563-1](#) [1-293657-2](#) [2834036-1](#) [2834037-1](#) [1-2213222-4](#) [2-2213222-4](#) [2213222-4](#) [2834122-3](#) [2834122-5](#) [2834135-2](#) [FLA-R4142-30](#)  
[FLA-R4162-30](#) [FLA-R2142-30](#) [FLA-R2141-30](#) [FLA-R2162-30](#) [FLA-R2161-30](#) [FLA-R0161-30](#) [FLA-R0141-30](#) [FLA-R0162-30](#) [FLA-C00-](#)  
[00](#) [DGA00010553](#) [CNXV04NTP](#) [104128-0610](#) [503485-0000 \(Cut Strip\)](#) [503485-0000 \(Loose Piece\)](#) [503485-0000 \(MINI Reel\)](#) [1-2834074-2](#)  
[1-2834074-3](#) [1357-AC PLUG W2C \(CHINA\)](#) [1357-AC PLUG W2 \(USA\)](#) [104266-0110](#) [2106212-1](#) [2-2834074-2](#) [104266-0210](#) [293470-1](#)  
[293651-2](#) [293651-4](#) [1-2834006-2](#) [293651-1](#) [2213142-3](#)