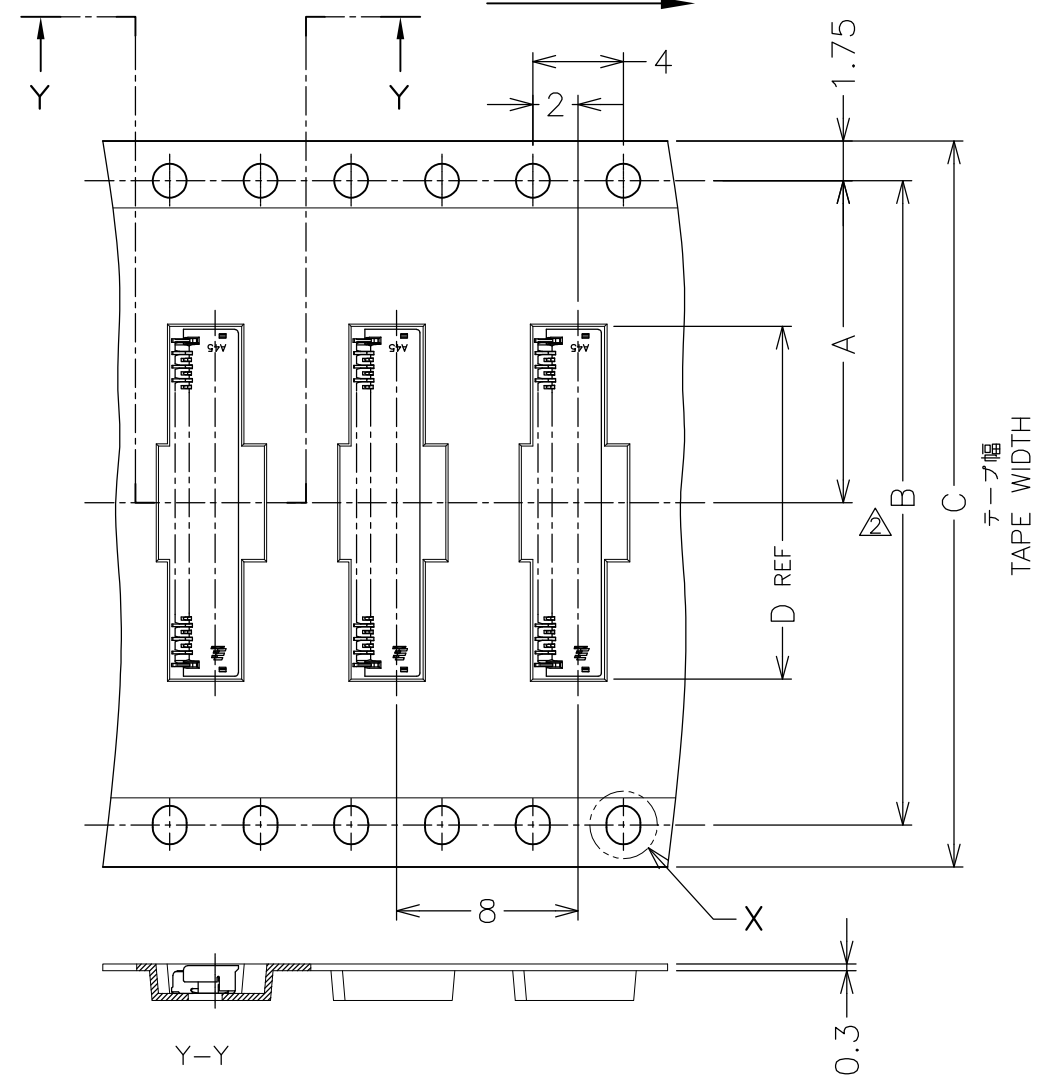


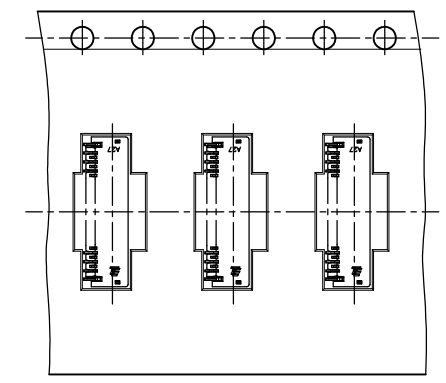
THIS DRAWING IS UNPUBLISHED. RELEASED FOR PUBLICATION
 © COPYRIGHT - By - ALL RIGHTS RESERVED.

| LOC | DIST | REVISIONS | | | | | |
|-----|------|-----------|-----|---------------------------|---------|-----|------|
| J | - | P | LTR | DESCRIPTION | DATE | DWN | APVD |
| | | E | | REVISED PER ECR-11-008941 | 28JUL11 | T.T | T.M |

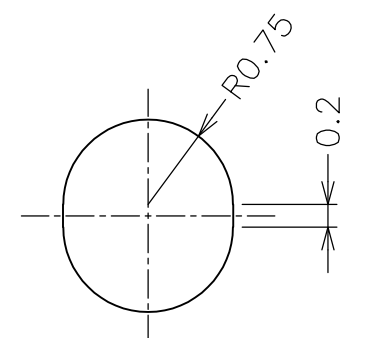
リール引出し方向
DIRECTION OFF TOP OF REEL



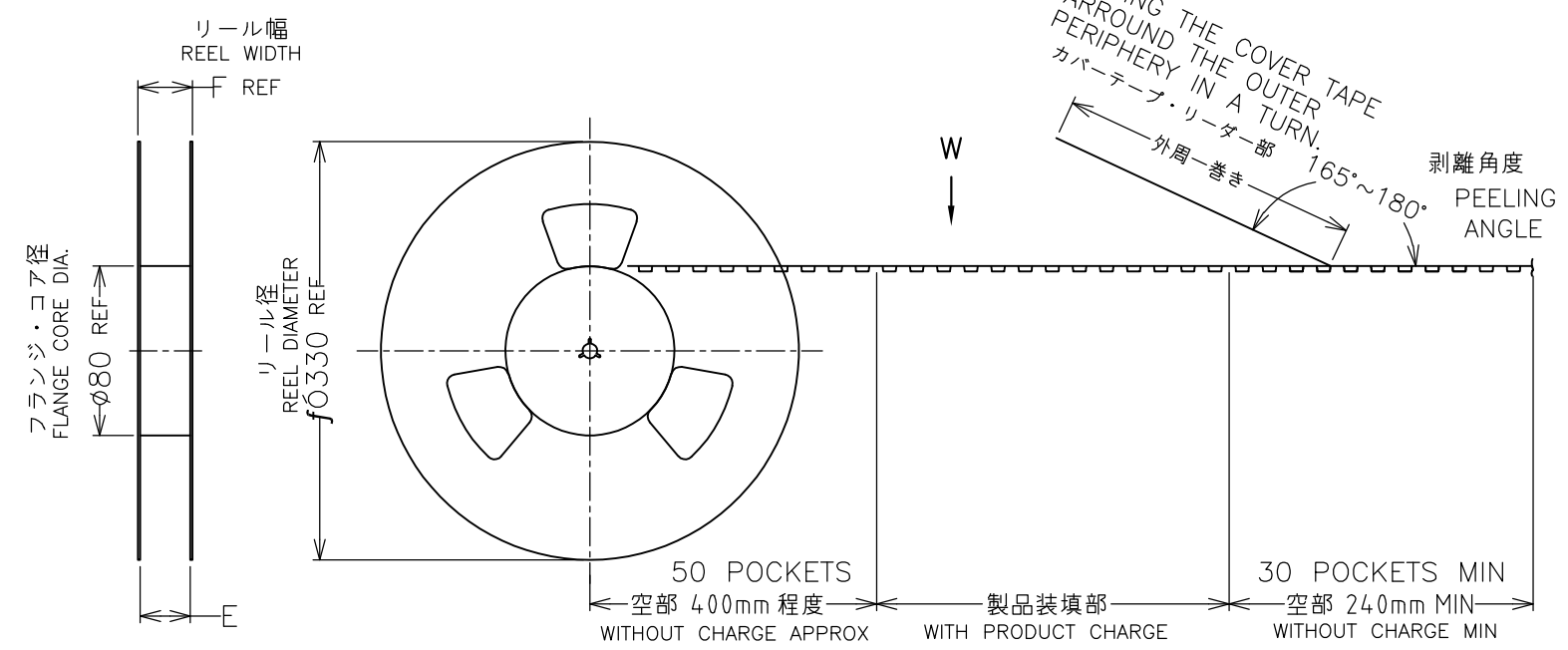
VIEW W
テープ幅 32mm以上に適用
APPLIED TAPE WIDTH 32MM, MORE.



VIEW W
テープ幅 12mm, 16mm, 24mm に適用
APPLIED TAPE WIDTH 12MM, 16MM AND 24MM.



DETAIL X



WINDING THE COVER TAPE
AROUND THE OUTER
PERIPHERY IN A TURN.
カバーテープ・リーダー部
外周巻き
剥離角度
165°~180°
PEELING
ANGLE

- △ GENERAL TOLERANCE
10 ≥ : ±0.2
30 ≥ > 10: ±0.25
100 ≥ > 30: ±0.3
ANGLES: ±3°
- △ DIM. B AND DETAIL "X" APPLIED
TAPE WIDE, 32mm MORE.
- △ 一般公差
10以下: ±0.2
10を越え 30以下: ±0.25
30を越え 100以下: ±0.3
角度: ±3°
- △ B寸法及び"X"詳細図は、
テープ幅 32mm以上に適用

| OBSOLETE | AVAILABLE | 0.102g | 30.4 | 24.4 | 17.35 | 24 | — | 11.5 | 4000 | 51 | 2-2013496-1 |
|----------|------------------|------------|------|------|-------|----|---|------|--------------------|---------|---|
| | AVAILABLE | 0.090g | 30.4 | 24.4 | 15.55 | 24 | — | 11.5 | 4000 | 45 | 1-2013496-8 |
| | AVAILABLE | 0.083g | 30.4 | 24.4 | 14.35 | 24 | — | 11.5 | 4000 | 41 | 1-2013496-6 |
| | AVAILABLE | 0.080g | 30.4 | 24.4 | 13.75 | 24 | — | 11.5 | 4000 | 39 | 1-2013496-5 |
| | AVAILABLE | 0.066g | 30.4 | 24.4 | 11.35 | 24 | — | 11.5 | 4000 | 31 | 1-2013496-1 |
| | AVAILABLE | 0.062g | 30.4 | 24.4 | 10.75 | 24 | — | 11.5 | 4000 | 29 | 1-2013496-0 |
| | AVAILABLE | 0.059g | 30.4 | 24.4 | 10.15 | 24 | — | 11.5 | 4000 | 27 | 2013496-9 |
| OBSOLETE | AVAILABLE | 0.048g | 22.4 | 16.4 | 8.35 | 16 | — | 7.5 | 4000 | 21 | 2013496-6 |
| STATUS | CONNECTOR WEIGHT | DIMENSIONS | | | | | | | 数量 (ヶ) QTY/REEL | POS.(N) | EMBOSS TAPE PACKAGING PART NUMBER |
| | | F | E | D | C | B | A | | | | |

THIS DRAWING IS A CONTROLLED DOCUMENT.

DWN Y.KODAIRA 29NOV2007
 CHK T.KUSUHARA 29NOV2007
 APVD T.KUSUHARA 29NOV2007

TE Connectivity

0.3FPC Narrow BF-L-1.2H
1.2mmH, 2.9mmW, GOLD PLATE

108-78351
411-78302

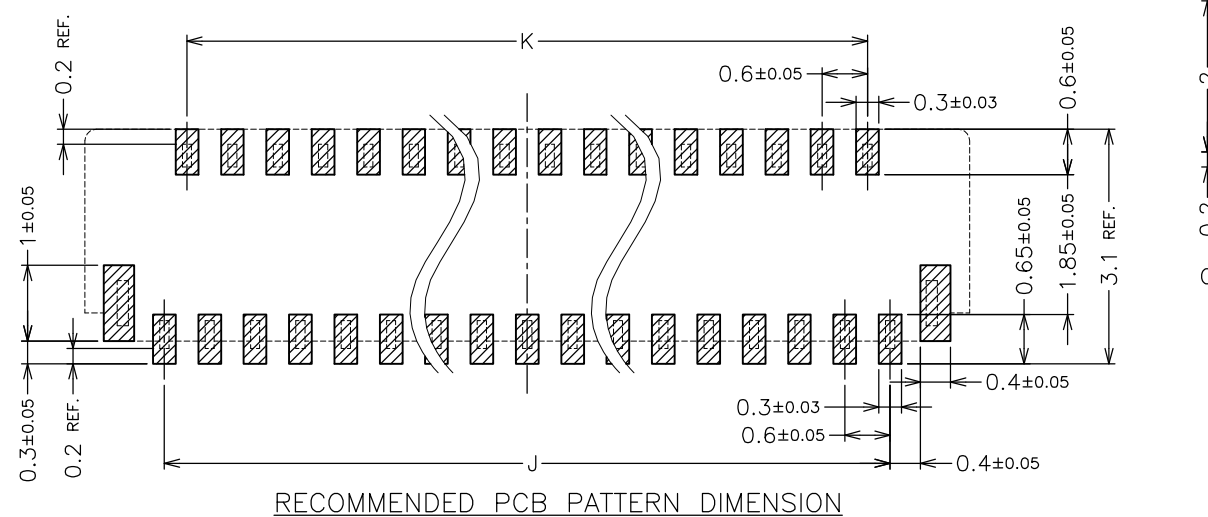
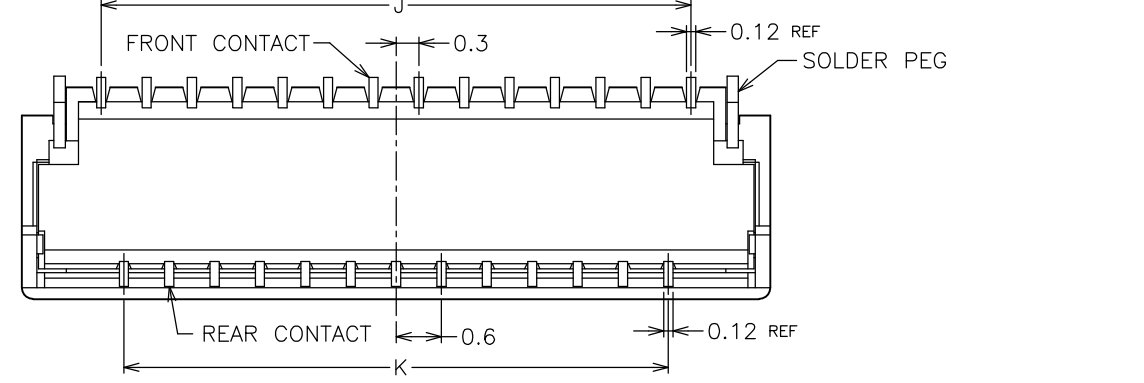
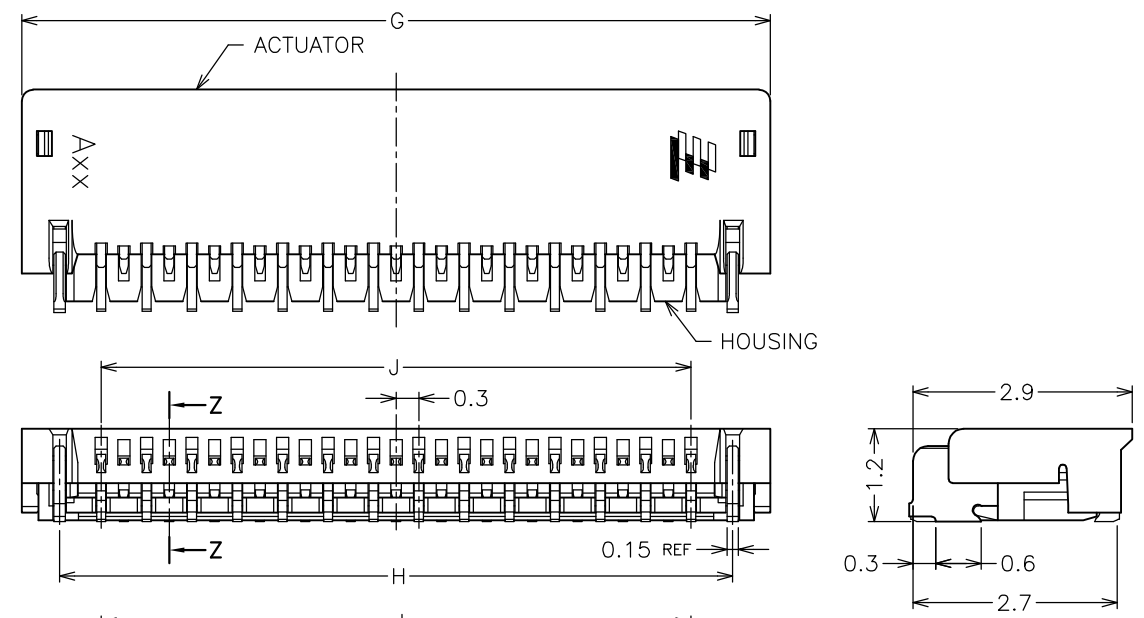
SIZE A3 CAGE CODE 00779 DRAWING NO C-2013496 RESTRICTED TO —

MATERIAL SEE NOTE 3 FINISH SEE NOTE 4 WEIGHT SEE TABLE

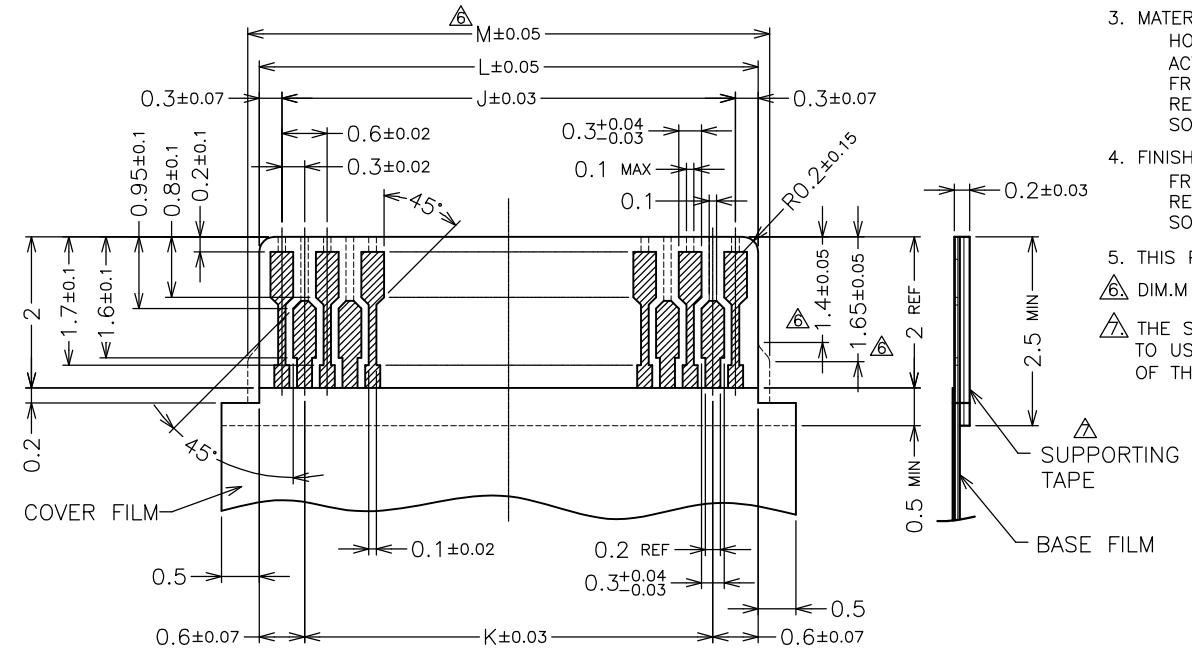
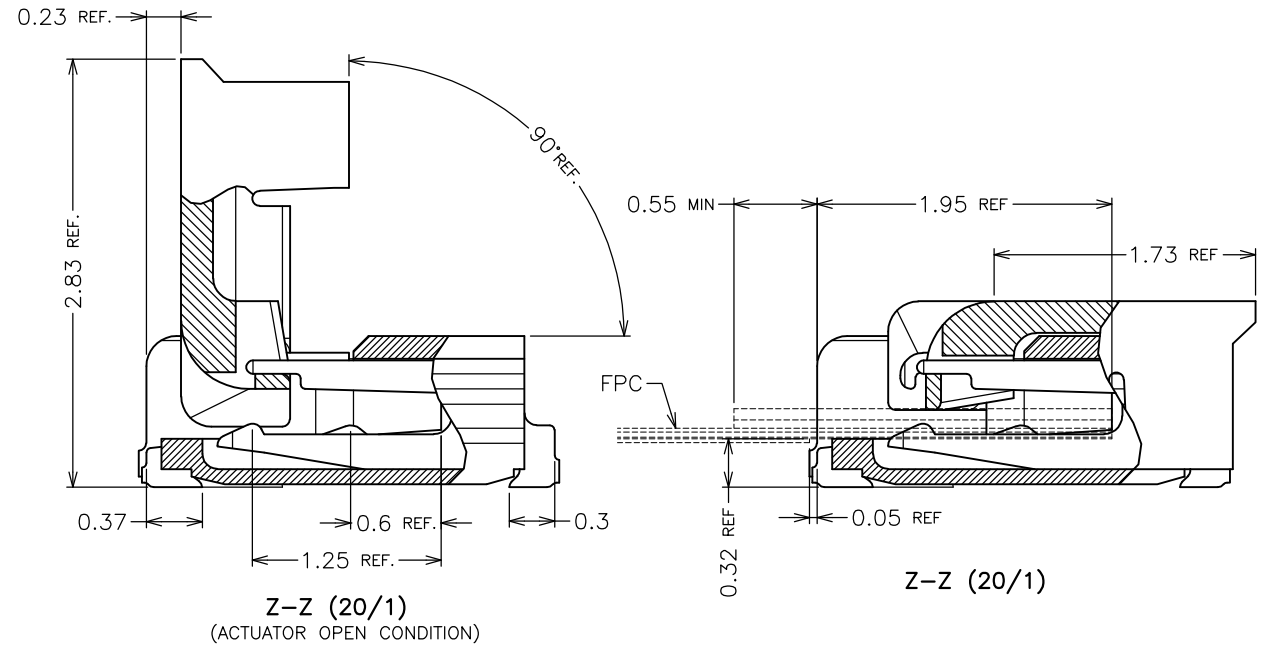
CUSTOMER DRAWING SCALE 10:1 SHEET 1 OF 2 REV E

THIS DRAWING IS UNPUBLISHED. RELEASED FOR PUBLICATION
 © COPYRIGHT - By - ALL RIGHTS RESERVED.

| LOC | DIST | REVISIONS | | | | | |
|-----|------|-----------|-----|-------------|------|-----|------|
| J | - | P | LTR | DESCRIPTION | DATE | DWN | APVD |
| | | - | | SEE SHEET 1 | - | - | - |



RECOMMENDED PCB PATTERN DIMENSION



RECOMMENDED FPC PATTERN DIMENSION
 CONDUCTOR : GOLD OVER NICKEL PLATING (Au 0.1μm MIN.)

- MATERIAL**
 HOUSING : GRASS FULLED LCP, UL94V-0 (COLOR : NATURAL)
 ACTUATOR : GRASS FULLED PPS, UL94V-0 (COLOR : BLACK)
 FRONT CONTACT : COPPER ALLOY
 REAR CONTACT : COPPER ALLOY
 SOLDER PEG : COPPER ALLOY
- FINISH**
 FRONT CONTACT : GOLD OVER NICKEL PLATING
 REAR CONTACT : GOLD OVER NICKEL PLATING
 SOLDER PEG : TIN OVER NICKEL PLATING
- THIS PRODUCT IS THE NICKEL DAM TYPE.**
 DIM.M IS APPLIED BELOW 25PINS.
 THE SUPPORTING TAPE OF FPC IS RECOMMENDED TO USE THE POLYIMIDE OR THE EQUIVALENT MATERIAL OF THE THICKNESS OF 50um OR MORE.

- 材質**
 ハウジング : ガラス繊維入りLCP樹脂 UL94V-0 (色:乳白色)
 アクチュエーター : ガラス繊維入りPPS樹脂 UL94V-0 (色:黒)
 フロントコンタクト : 銅合金
 リアコンタクト : 銅合金
 ソルダーペグ : 銅合金
- めっき**
 フロントコンタクト : 金めっき (ニッケル下地めっき)
 リアコンタクト : 金めっき (ニッケル下地めっき)
 ソルダーペグ : スズめっき (ニッケル下地めっき)
- 本品は、Niダム仕様のコネクタである。**
 DIM.Mは、25POS.以下に適用。
 FPCの補強板には、厚さ50μm以上のポリイミドまたは相当材の使用を推奨する。

| | | | | | | | |
|-----|------|------|------|------|------|------|----------------|
| — | 15.6 | 14.4 | 15.0 | 16.1 | 17.1 | 51 | 2-2013496-4 |
| — | 13.8 | 12.6 | 13.2 | 14.3 | 15.3 | 45 | 1-2013496-8 |
| — | 12.6 | 11.4 | 12.0 | 13.1 | 14.1 | 41 | 1-2013496-6 |
| — | 12.0 | 10.8 | 11.4 | 12.5 | 13.5 | 39 | 1-2013496-5 |
| — | 9.6 | 8.4 | 9.0 | 10.1 | 11.1 | 31 | 1-2013496-1 |
| — | 9.0 | 7.8 | 8.4 | 9.5 | 10.5 | 29 | 1-2013496-0 |
| — | 8.4 | 7.2 | 7.8 | 8.9 | 9.9 | 27 | 2013496-9 |
| 6.9 | 6.6 | 5.4 | 6.0 | 7.1 | 8.1 | 21 | 2013496-6 |
| M | L | K | J | H | G | POS. | CONN. PART No. |

THIS DRAWING IS A CONTROLLED DOCUMENT.

| | | | | | | | |
|------------------------|--|--------------|--|-----------|------------|---------------|-------|
| DIMENSIONS: mm | TOLERANCES UNLESS OTHERWISE SPECIFIED: 0 PLC ± 0.3 1 PLC ± 0.3 2 PLC ± 0.3 3 PLC ± 0.3 4 PLC ± 0.3 ANGLES ± 3° | DWN | TE Connectivity NAME 0.3FPC Narrow BF-L-1.2H 1.2mmH, 2.9mmW, GOLD PLATE | | | | |
| MATERIAL SEE NOTE 3 | FINISH SEE NOTE 4 | CHK | | | | | |
| | | APVD | | | | | |
| | | PRODUCT SPEC | | | | | |
| | | APVD | SIZE | CAGE CODE | DRAWING NO | RESTRICTED TO | |
| | | APVD | WEIGHT | A300779 | C-2013496 | — | |
| | | APVD | CUSTOMER DRAWING | | SCALE 10:1 | SHEET 2 OF 2 | REV E |

X-ON Electronics

Largest Supplier of Electrical and Electronic Components

Click to view similar products for [FFC & FPC Connectors](#) category:

Click to view products by [TE Connectivity](#) manufacturer:

Other Similar products are found below :

[HFW11R-1STE1H1LF](#) [FH29B-100S-0.2SHW\(99\)](#) [FA5S008HP1](#) [FH29B-120S-0.2SHW\(99\)](#) [FH29B-80S-0.2SHW\(99\)](#) [FHS-16](#) [FPH-2022G](#)
[52610-1075](#) [52610-1275](#) [52610-1934](#) [XF3M\(1\)-1415-1B-R100](#) [501864-3091-TR225](#) [0525594033](#) [086210010340800](#) [086222026001800](#)
[52271-2869-CUT-TAPE](#) [62684-36210E9ALF](#) [52610-1675](#) [52746-1671-TR250](#) [AYF330735](#) [10051922-2810EHLF](#) [6-520415-9](#) [BD021-09A-](#)
[A1-0350-0200-0550-LD](#) [SFV6R-1STE9HLF](#) [XF3M-2915-1B-R100](#) [1658549-1](#) [62674-221121ALF](#) [151660622](#) [842-816-2630-035](#)
[AYF530665TA](#) [AYF351525](#) [046296011930846+](#) [AYF352325A](#) [046254020000800+](#) [FH19C-13S-0.5SH\(99\)](#) [FH39J-51S-0.3SHW\(99\)](#)
[AYF530365TA](#) [FH29B-44S-0.2SHW\(99\)](#) [SFW5R-2STAE9LF](#) [62684-502100AHLF](#) [FH39-61S-0.3SHW\(99\)](#) [AYF414035A](#) [10064555-](#)
[172520HLF](#) [AYF212335A](#) [504754-2500](#) [SFW7S-2STME1LF](#) [FH39-45S-0.3SHW\(99\)](#) [MA49-19S-2.54DSA](#) [FH19SC-12S-0.5SH\(99\)](#)
[SFW6S-2STE9LF](#)