

THIS DRAWING IS UNPUBLISHED.

RELEASED FOR PUBLICATION

20

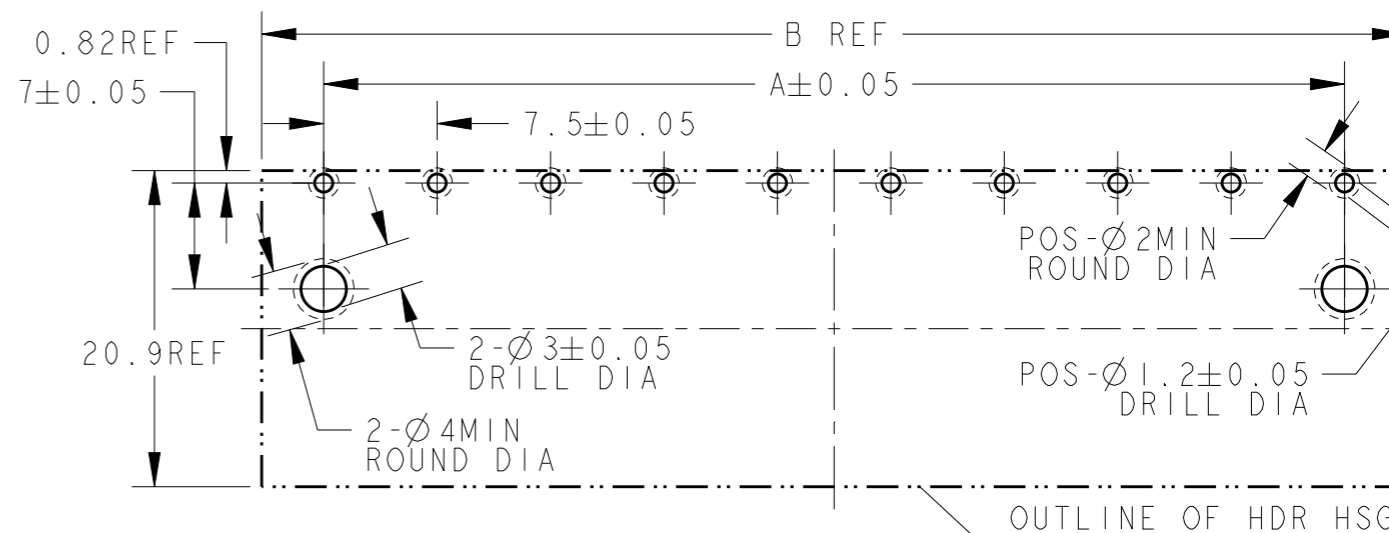
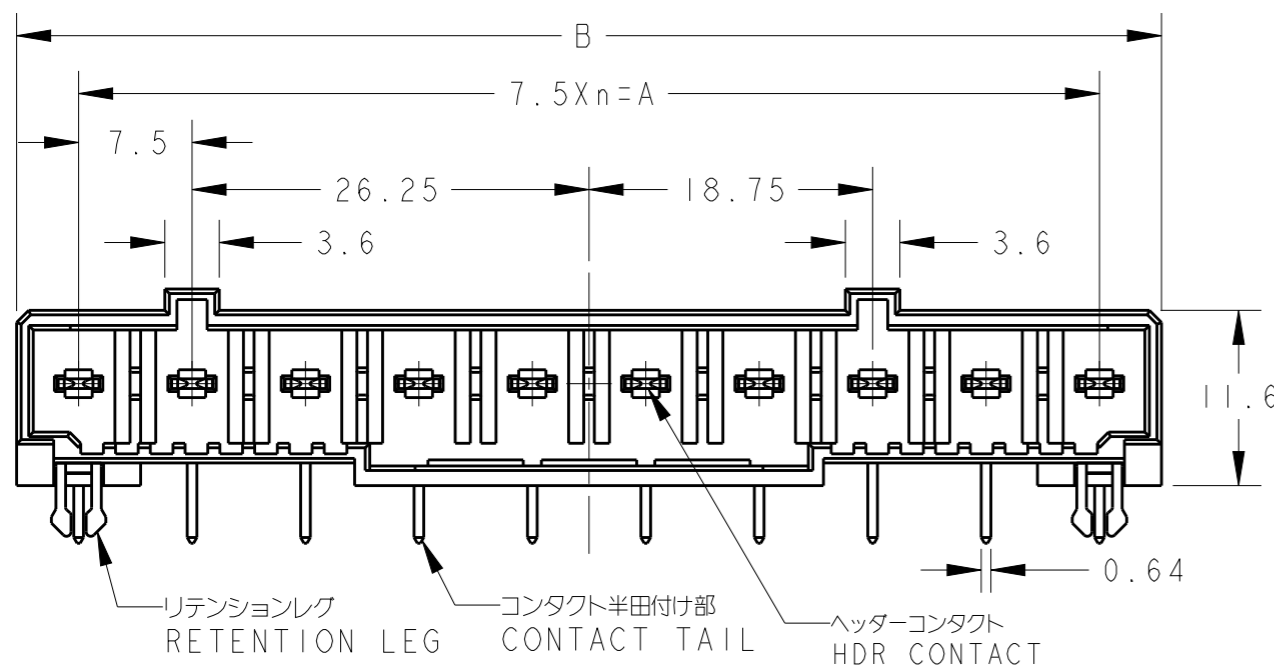
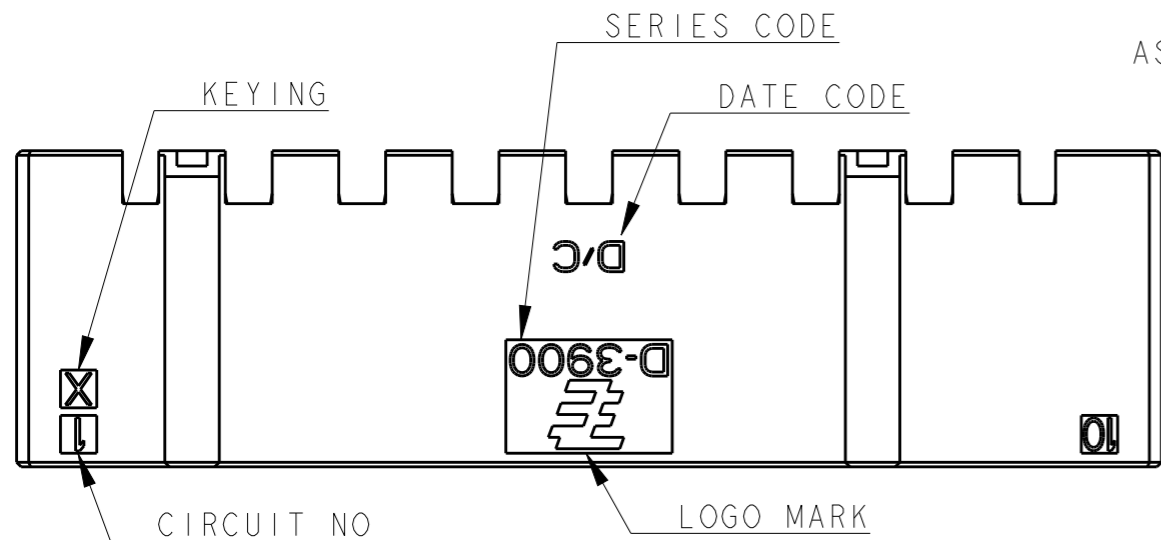
© COPYRIGHT 20 BY Tyco Electronics Japan G.K. ALL RIGHTS RESERVED.

LOC J DIST -

REVISIONS

P	LTR	DESCRIPTION	DATE	DWN	APVD
	C	REVISED	15APR2014	H.O	N.Y

AS SHOWN : 1-2013519-0 (10POS,X-KEY)



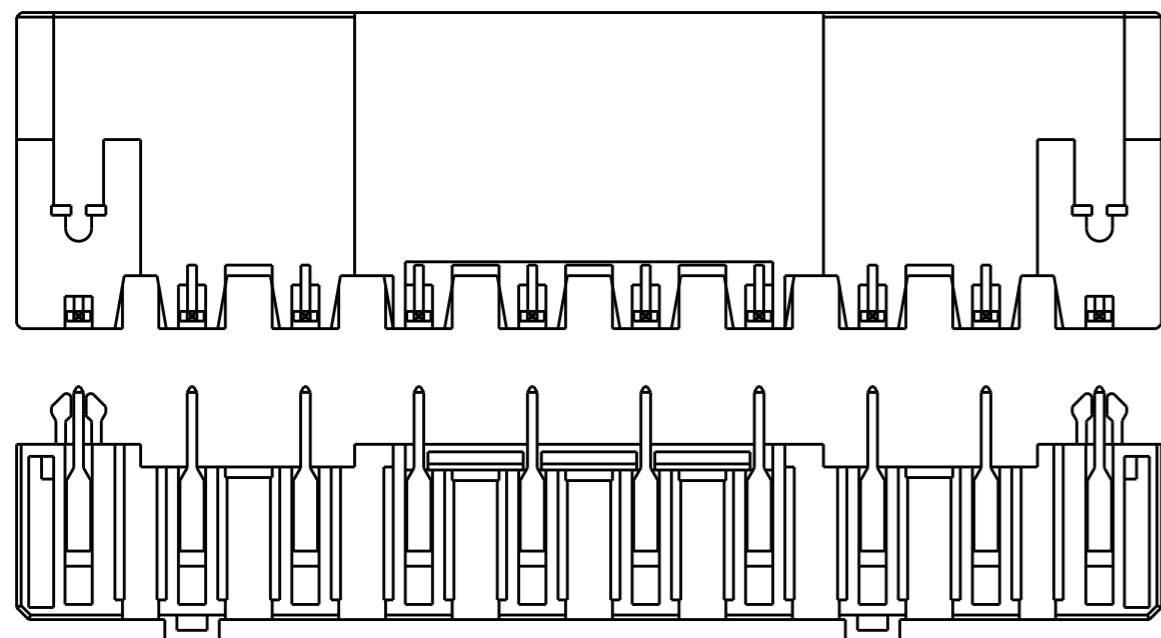
RECOMMEND PC BOARD HOLE PATTERN : CONNECTOR MOUNT SIDE (NOT ACCUMULATE TOLERANCE)  
 PC BOARD THICKNESS : 1.6±0.1

推奨基板取付寸法 : コネクタ搭載面 (非累積公差)  
 PC基板厚 : 1.6±0.1

- 材料 : ハウジング : 熱可塑性ポリエステル樹脂  
 コンタクト : 銅合金  
 リテンションレグ : 銅合金
- めっき : (コンタクト接触部) : ニッケル下地めっきの上に金めっき0.38μm以上
- めっき : リテンションレグとコンタクト半田付け部 : ニッケル下地めっきの上に錫めっき

- MATERIAL HOUSING: THERMO PLASTIC POLYESTER  
 CONTACT: COPPER ALLOY  
 RETENTION LEG: COPPER ALLOY
- FINISH (CONTACT AREA): 0.38μm MIN GOLD PLATED OVER NICKEL
- FINISH (RETENTION LEG & CONTACT TAIL)  
 : TIN PLATED OVER NICKEL

10	Y	9	67.5	75.7	BLACK	2-2013519-0
10	X	9	67.5	75.7	BLACK	1-2013519-0
7/10	Z	9	67.5	75.7	BLACK	9-2013519-0
3	Z	2	15.0	23.2	BLACK	3-2013519-3
3	Y	2	15.0	23.2	NATURAL	4-2013519-3
3	X	2	15.0	23.2	BLACK	1-2013519-3
POS	KEY	n	A	B	COLOR	PART NO



THIS DRAWING IS A CONTROLLED DOCUMENT.

DIMENSIONS:	TOLERANCES UNLESS OTHERWISE SPECIFIED:
単位: 概 mm	一般公差 ±0.3, ±5°
	0 PLC ±
	1 PLC ±
	2 PLC ±
	3 PLC ±
	4 PLC ±
	ANGLES ±

MATERIAL 材料

DWN T. KUDO 21APR2008  
 CHK S. MANABE 21APR2008  
 APVD S. MANABE 21APR2008  
 PRODUCT SPEC 108-78400, 5349  
 APPLICATION SPEC 114-5148  
 WEIGHT -

STE TE Connectivity

NAME 名称 DYNAMIC D3900S 7.5mm PITCH  
 HDR ASSY (H-TYPE)  
 3-10POS TYPE-A

SIZE A3 CAGE CODE 00779 DRAWING NO G-2013519 RESTRICTED TO

CUSTOMER DRAWING SCALE 2:1 SHEET 1 OF 3 REV C

THIS DRAWING IS UNPUBLISHED.

RELEASED FOR PUBLICATION

20

© COPYRIGHT 20

BY Tyco Electronics Japan G.K.

ALL RIGHTS RESERVED.

LOC  
J

DIST  
-

REVISIONS

P LTR

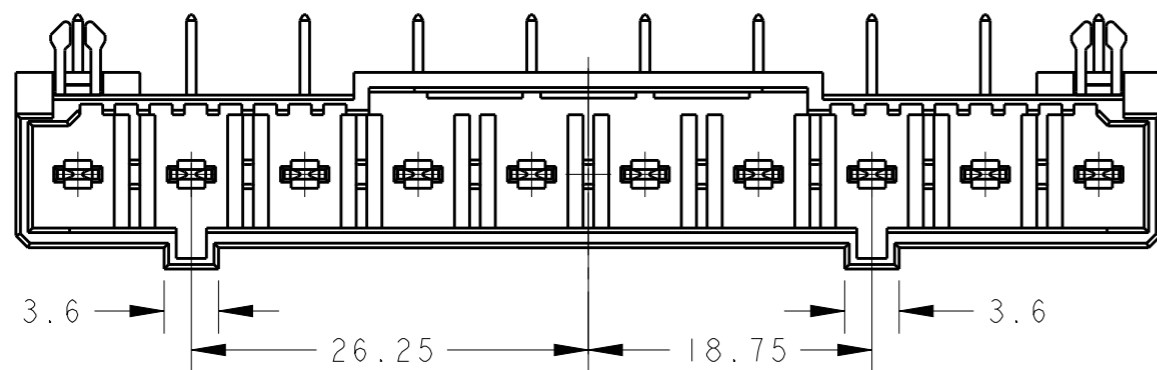
DESCRIPTION

DATE

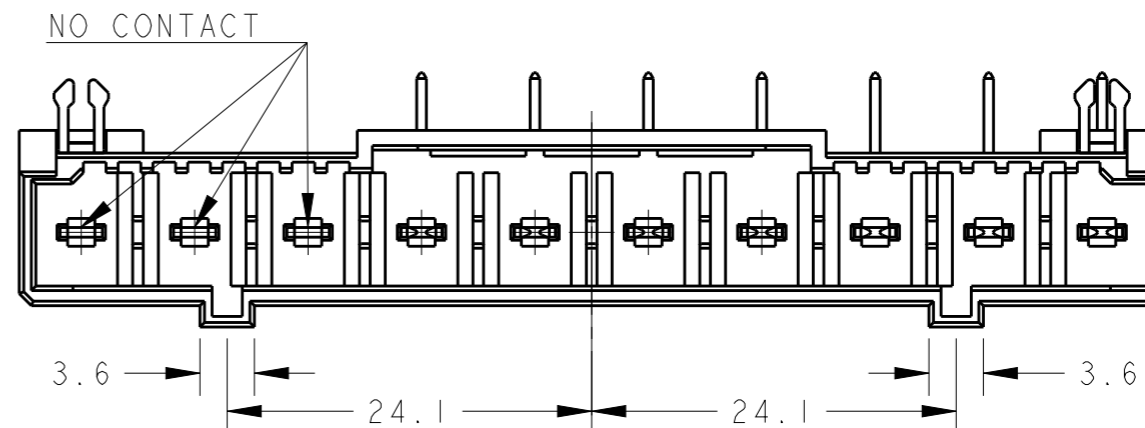
DWN

APVD

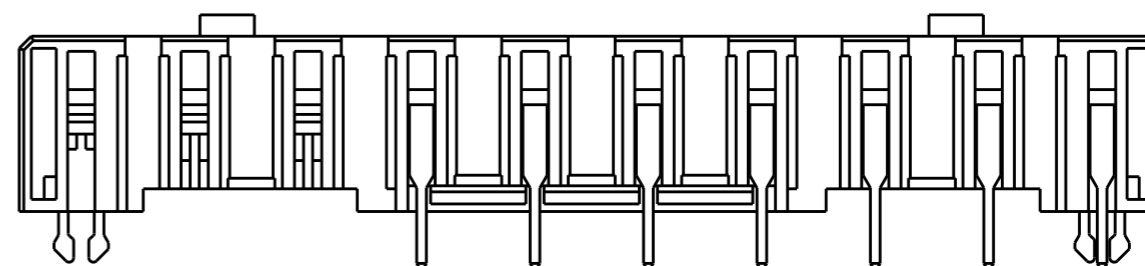
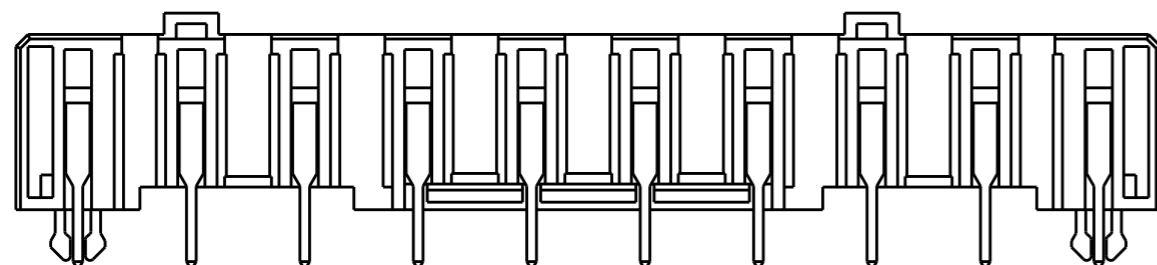
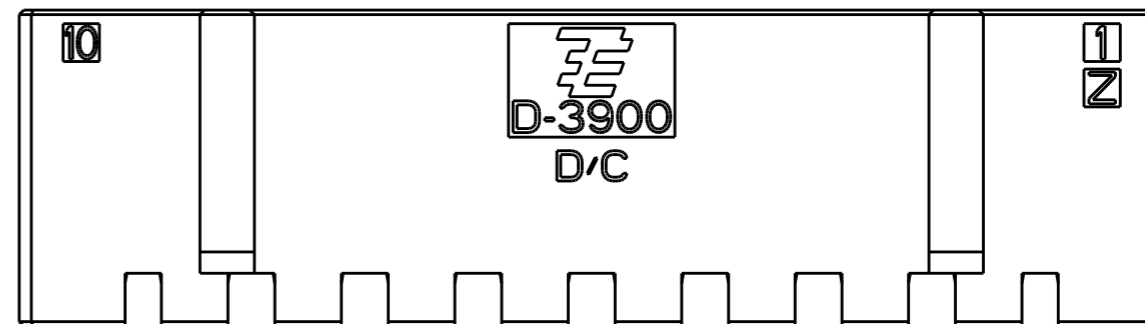
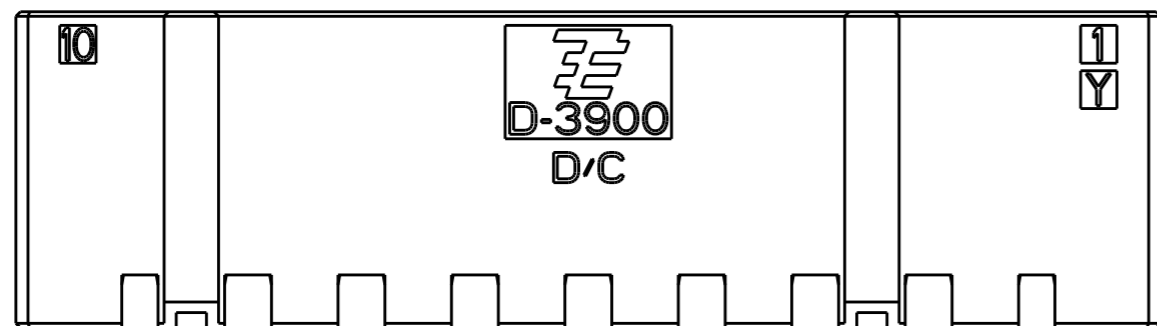
SEE SHEET 1



10POS(Y-KEY):2-2013519-0



7/10POS(Z-KEY)  
CIRCUIT 1~7:9-2013519-0



THIS DRAWING IS A CONTROLLED DOCUMENT.

DWN T. KUDO 21APR2008

CHK S. MANABE 21APR2008

APVD S. MANABE 21APR2008

PRODUCT SPEC

108-78400, 5349

APPLICATION SPEC

114-5148

WEIGHT -

CUSTOMER DRAWING

**TE** TE Connectivity

NAME  
DYNAMIC D3900S 7.5mmPITCH  
HDR ASSY (H-TYPE)  
3-10POS TYPE-A

SIZE CAGE CODE DRAWING NO RESTRICTED TO

A300779 C-2013519 -

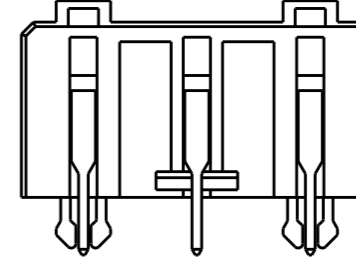
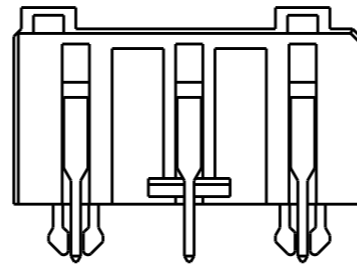
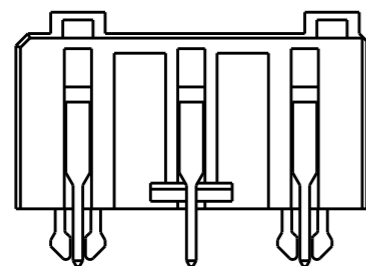
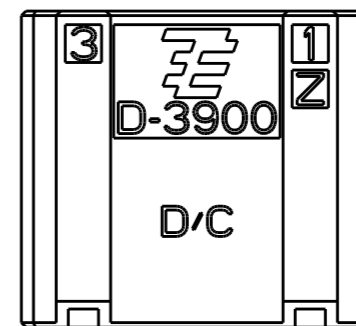
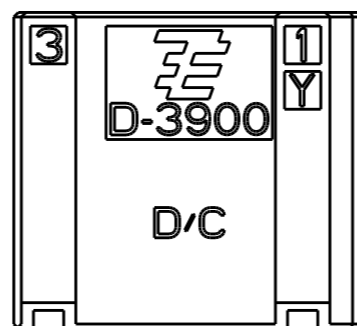
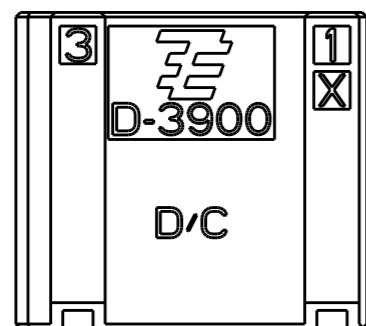
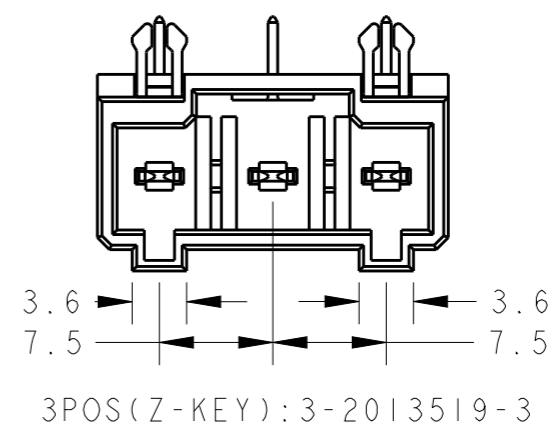
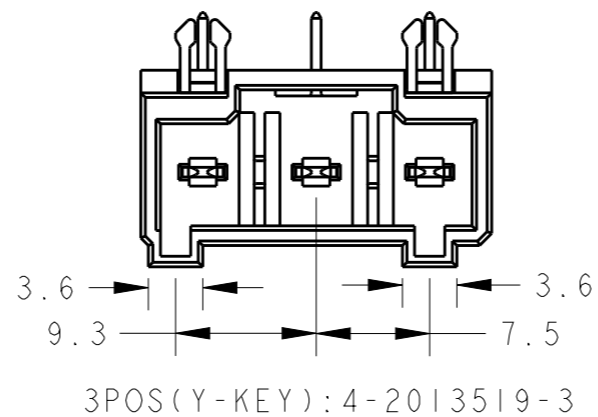
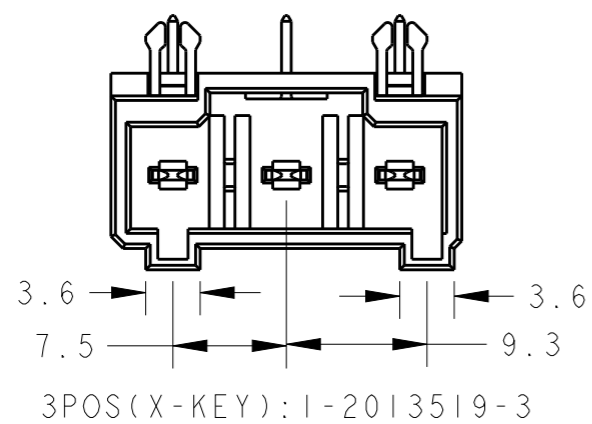
SCALE 2:1 SHEET 2 OF 3 REV C

DIMENSIONS:		TOLERANCES UNLESS OTHERWISE SPECIFIED:	
mm			
0 PLC	±-		
1 PLC	±-		
2 PLC	±-		
3 PLC	±-		
4 PLC	±-		
ANGLES	±-		
MATERIAL		FINISH	-

SEE SHEET 1 OF 3

THIS DRAWING IS UNPUBLISHED. RELEASED FOR PUBLICATION 20  
 © COPYRIGHT 20 BY Tyco Electronics Japan G.K. ALL RIGHTS RESERVED.

LOC	DIST	REVISIONS			
P	LTR	DESCRIPTION	DATE	DWN	APVD
J	-	SEE SHEET 1			



THIS DRAWING IS A CONTROLLED DOCUMENT.

SEE SHEET 1 OF 3

DIMENSIONS:	TOLERANCES UNLESS OTHERWISE SPECIFIED:
mm	
	0 PLC ±-
	1 PLC ±-
	2 PLC ±-
	3 PLC ±-
	4 PLC ±-
	ANGLES ±-
MATERIAL	FINISH
-	-

DWN	T. KUDO	21APR2008
CHK	S. MANABE	21APR2008
APVD	S. MANABE	21APR2008
PRODUCT SPEC	108-78400, 5349	
APPLICATION SPEC	114-5148	
WEIGHT	-	

TE Connectivity		NAME	
		DYNAMIC D3900S 7.5mmPITCH HDR ASSY (H-TYPE) 3-10POS TYPE-A	
SIZE	CAGE CODE	DRAWING NO	RESTRICTED TO
A3	00779	C-2013519	-

CUSTOMER DRAWING SCALE 2:1 SHEET 3 OF 3 REV C

## X-ON Electronics

Largest Supplier of Electrical and Electronic Components

*Click to view similar products for [Headers & Wire Housings](#) category:*

*Click to view products by [TE Connectivity](#) manufacturer:*

Other Similar products are found below :

[892-18-020-10-001101](#) [58102-G61-06LF](#) [582553-1](#) [0009485154](#) [009176003701906](#) [0050291907](#) [LY20-4P-DT1-P1E-BR](#) [02.125.8002.8](#)  
[609-3404](#) [61062-3](#) [61082-181009](#) [622-3653LF](#) [63453-116](#) [636-1030](#) [636-1427](#) [636-3427](#) [636-4007](#) [641938-9](#) [641991-4](#) [644827-2](#) [65817-](#)  
[010LF](#) [65817-015LF](#) [65863-015LF](#) [66207-023LF](#) [67095-007LF](#) [67601157](#) [68645-018](#) [68648-049](#) [70.362.1628.0](#) [70-4210](#) [70-4226B](#) [70-](#)  
[4853B](#) [707-5020](#) [707-5028](#) [71.350.2428.0](#) [71918-208LF](#) [71961-016LF](#) [733-134](#) [733-162](#) [754199-000](#) [760-3052](#) [787-8014-00](#) [79531-3000](#)  
[FCN-360C032-B](#) [FCN-367T-T012/H](#) [FCN-723D010/2](#) [80.063.4001.1](#) [800-90-001-10-001000](#) [800-90-010-10-002000](#) [801-43-002-10-013000](#)