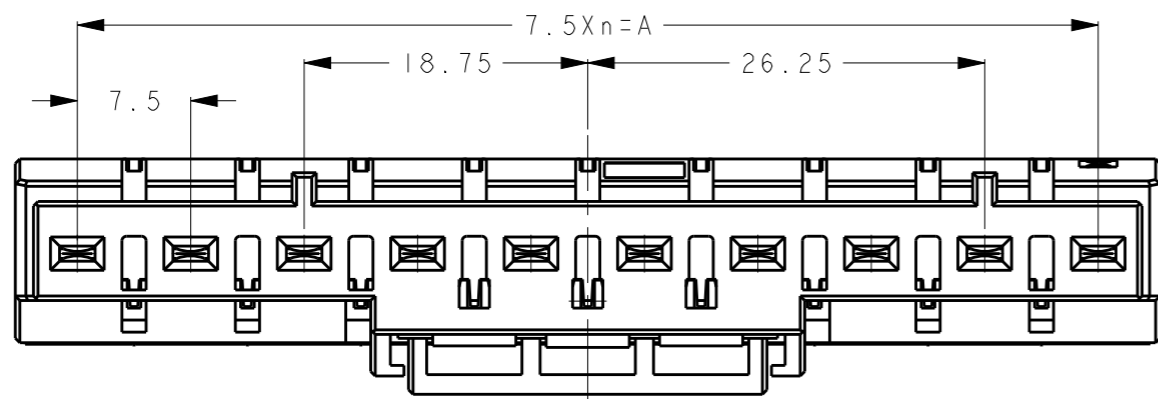
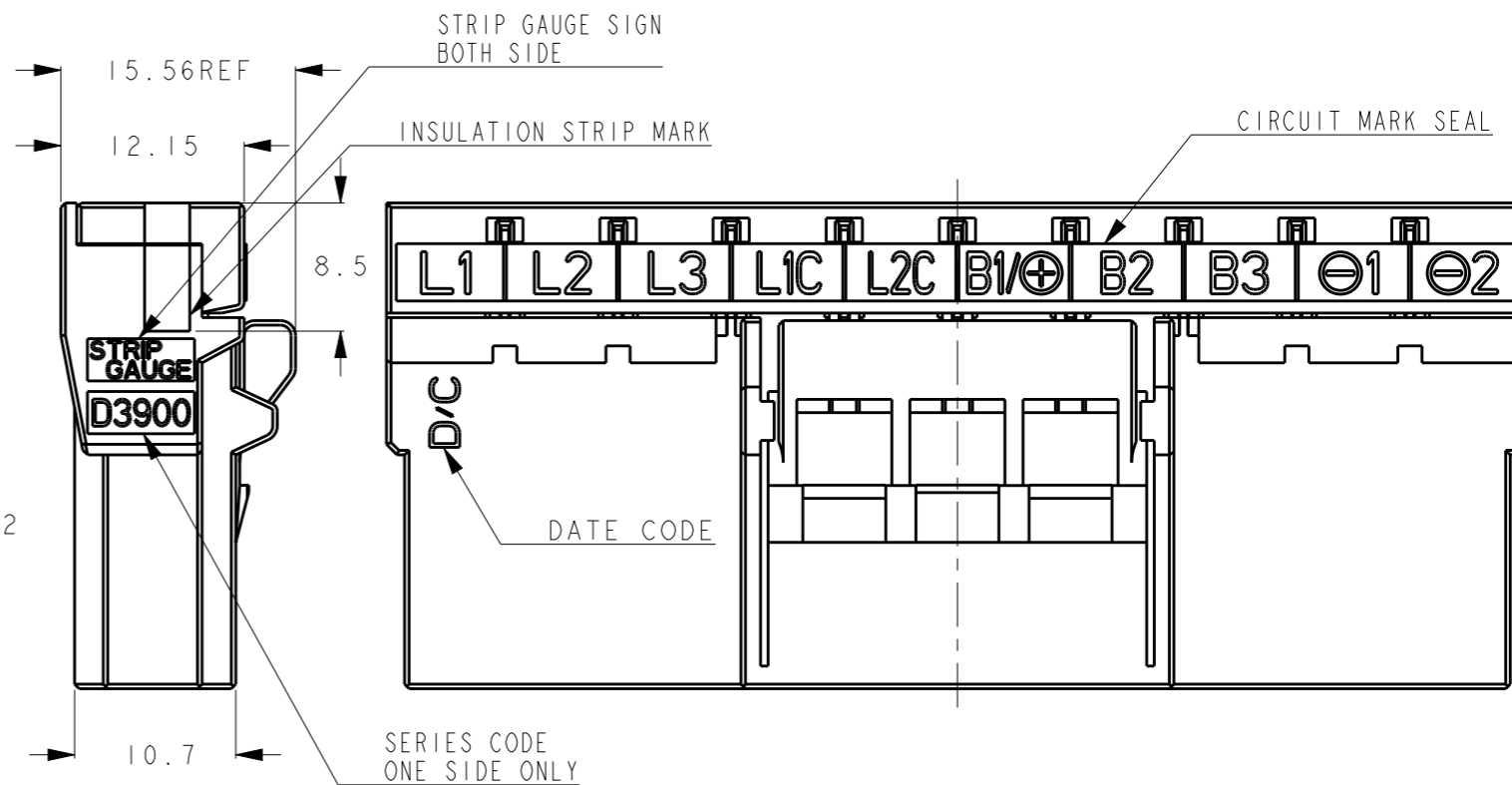
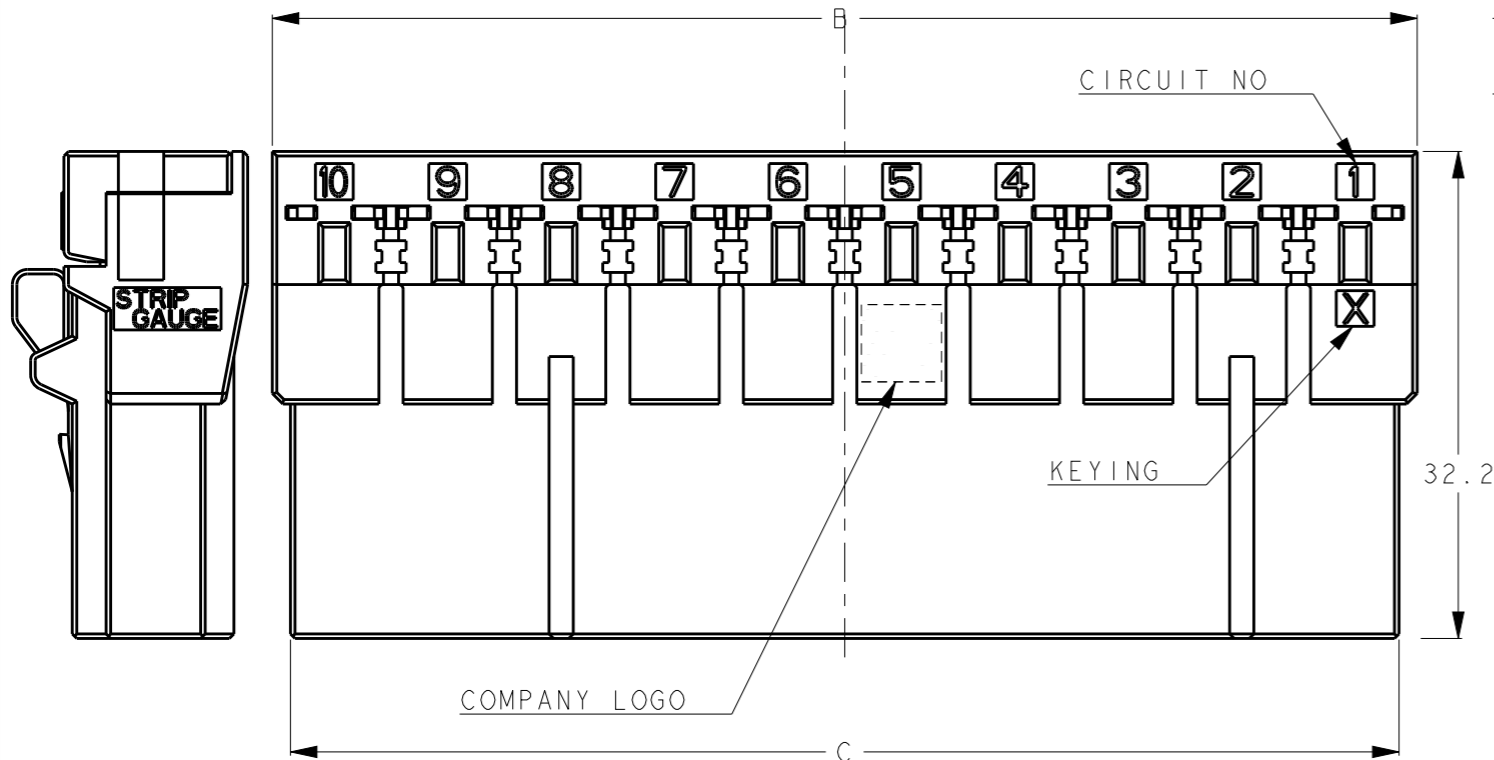
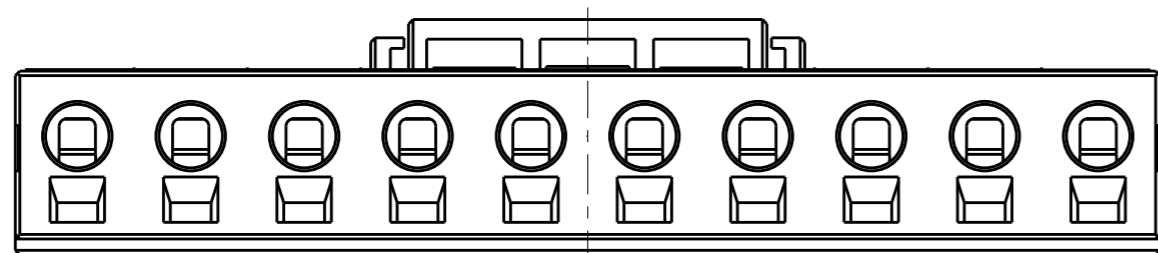


THIS DRAWING IS UNPUBLISHED. RELEASED FOR PUBLICATION 20
 © COPYRIGHT 20 BY Tyco Electronics Japan G.K. ALL RIGHTS RESERVED.

LOC	DIST	REVISIONS 変更			
P	LTR	DESCRIPTION	DATE	DWN	APVD
	C	REVISED	15APR2014	H.O	N.Y
	D	REVISED	17JUN2014	H.O	N.Y
	DI	REVISED	330MAR2018	K.T	E.I

AS SHOWN : 1-2013522-0 (10POS, X-KEY)



10	Y	9	67.5	75.7	73.3	BLACK	2-2013522-0
10	X	9	67.5	75.7	73.3	BLACK	1-2013522-0
7/10	Z	9	67.5	75.7	73.3	BLACK	9-2013522-0
3	Y	2	15.0	23.2	20.4	NATURAL	4-2013522-3
3	X	2	15.0	23.2	20.4	BLACK	1-2013522-3
POS	KEY	n	A	B	C	COLOR	PART NO

- 材料:ハウジング:熱可塑性ポリエステル樹脂
 コンタクト:銅合金
 スプリング:ステンレス
- めっき:(コンタクト接触部):ニッケル下地めっきの上に金めっき0.38μm以上
- 取扱説明書: 411-78272

- MATERIAL HOUSING:THERMO PLASTIC POLYESTER
 CONTACT:COPPER ALLOY
 SPRING:STAINLESS STEEL
- FINISH(CONTACT AREA):0.38μmMIN GOLD PLATED OVER NICKEL
- INSTRUCTION SHEET: 411-78272

THIS DRAWING IS A CONTROLLED DOCUMENT.

DIMENSIONS: 単位: 耗 mm	TOLERANCES UNLESS OTHERWISE SPECIFIED: 一般公差 ±0.3, ±5°
	0-PLC ±-
	1-PLC ±-
	2-PLC ±-
	3-PLC ±-
MATERIAL 材料	4-PLC ±-
	ANGLES ±-
	FINISH 仕上

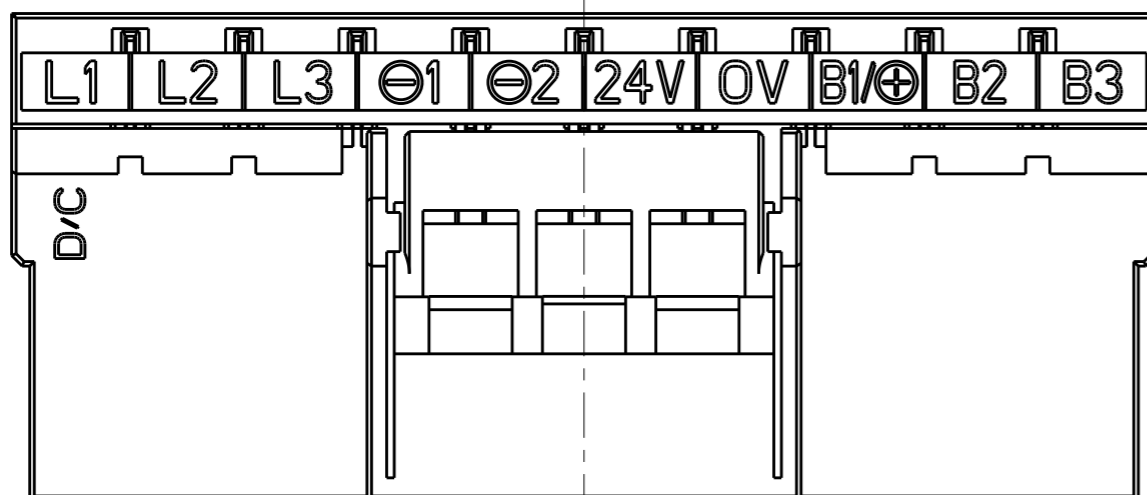
DWN	T. KUDO	21APR2008
CHK	S. MANABE	21APR2008
APVD	S. MANABE	21APR2008
PRODUCT SPEC	108-78400	
APPLICATION SPEC	取付適用規格	
WEIGHT	-	
CUSTOMER DRAWING		

TE Connectivity			
NAME 名称 DYNAMIC D3900S 7.5mmPITCH REC ASSY (SPRING CLAMP TYPE) 3-10POS TYPE-A			
SIZE	CAGE CODE	DRAWING NO 番号	RESTRICTED TO
A3	00779	C-2013522	
SCALE 尺度 2:1		SHEET 1 OF 3	REV DI

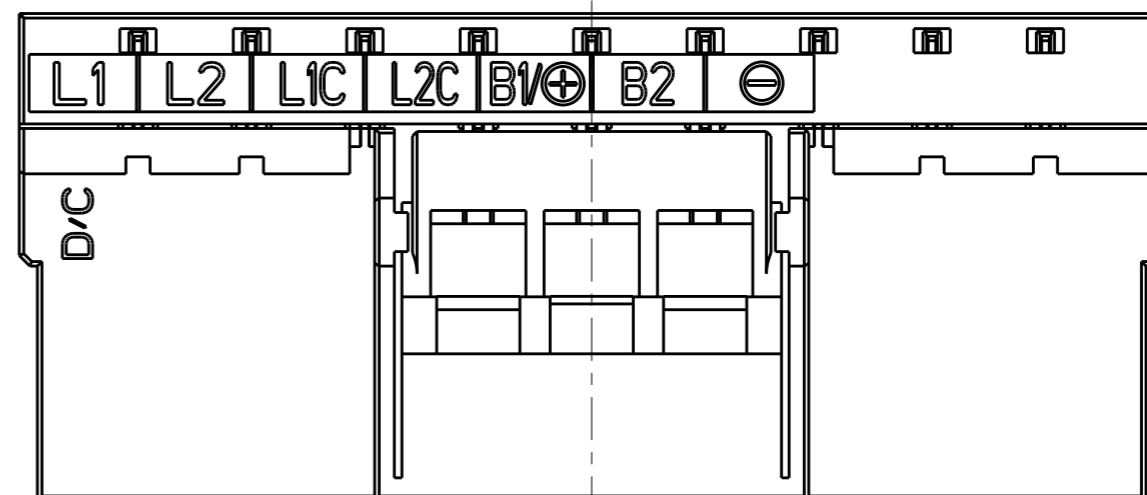
LOC	DIST
J	-

REVISIONS

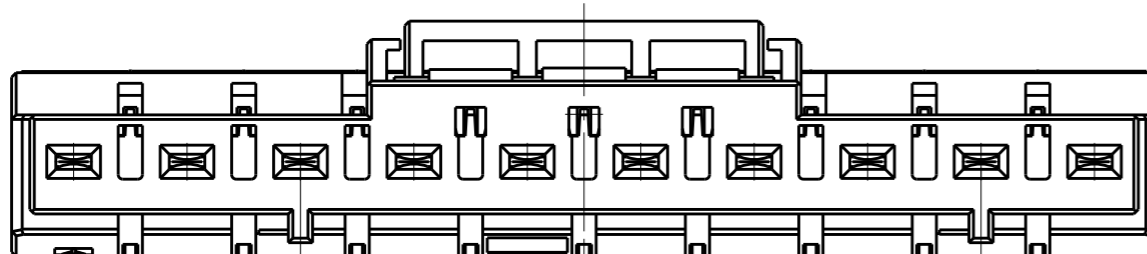
P	LTR	DESCRIPTION	DATE	DWN	APVD
		SEE SHEET 1			



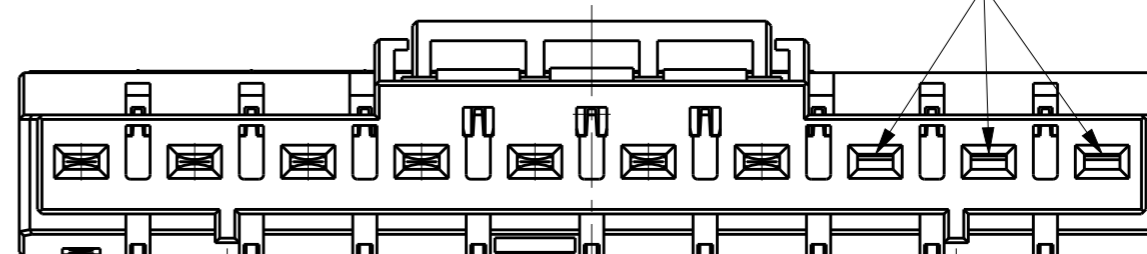
10POS(Y-KEY):2-2013522-0



7/10POS(Z-KEY)
CIRCUIT 1~7:9-2013522-0

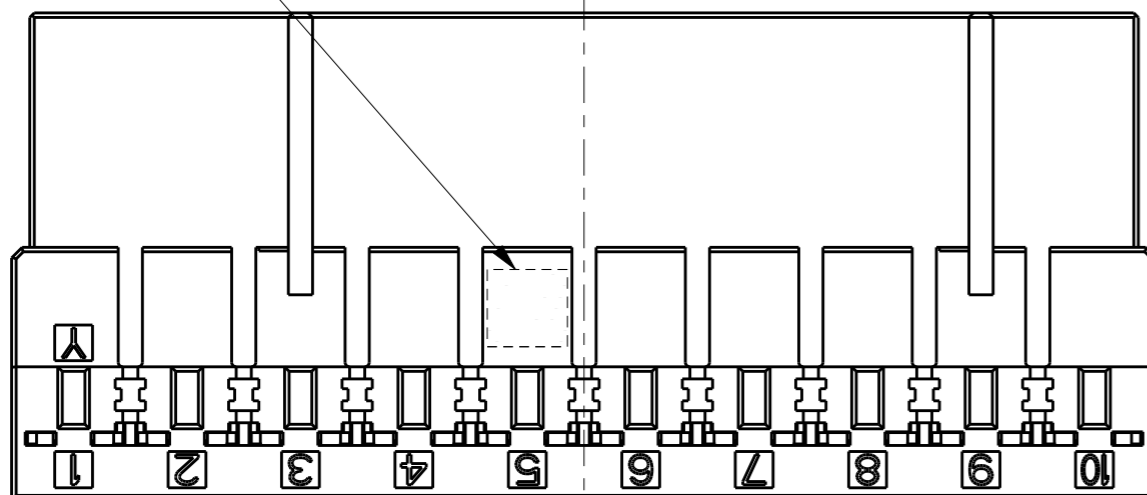


18.75 26.25

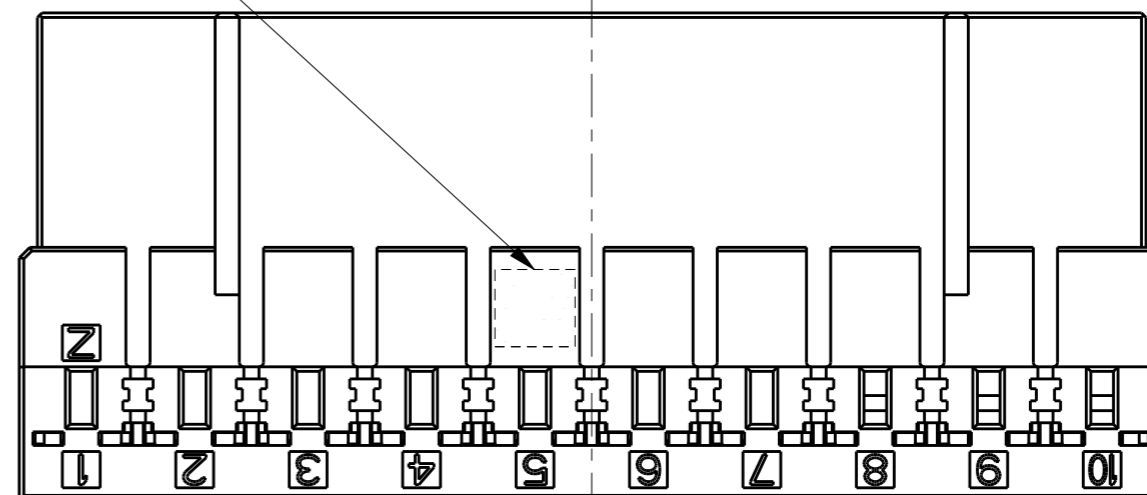


24.1 24.1

COMPANY LOGO



COMPANY LOGO



THIS DRAWING IS A CONTROLLED DOCUMENT.

DIMENSIONS:	TOLERANCES UNLESS OTHERWISE SPECIFIED:
mm	0 PLC ±-
	1 PLC ±-
	2 PLC ±-
	3 PLC ±-
	4 PLC ±-
	ANGLES ±-
MATERIAL	FINISH
-	-

SEE SHEET 1 OF 3

DWN	T. KUDO	21APR2008
CHK	S. MANABE	21APR2008
APVD	S. MANABE	21APR2008
PRODUCT SPEC	108-78400	
APPLICATION SPEC	-	
WEIGHT	-	
CUSTOMER DRAWING		



NAME			
DYNAMIC D3900S 7.5mmPITCH REC ASSY (SPRING CLAMP TYPE) 3-10POS TYPE-A			
SIZE	CAGE CODE	DRAWING NO	RESTRICTED TO
A3	00779	C-2013522	
SCALE		SHEET	OF
2:1		2	3
REV			D1

THIS DRAWING IS UNPUBLISHED.

RELEASED FOR PUBLICATION

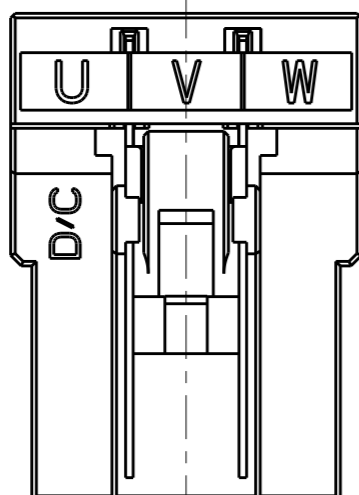
20

© COPYRIGHT 20

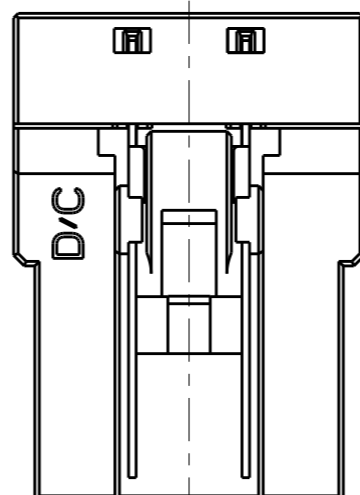
BY Tyco Electronics Japan G.K.

ALL RIGHTS RESERVED.

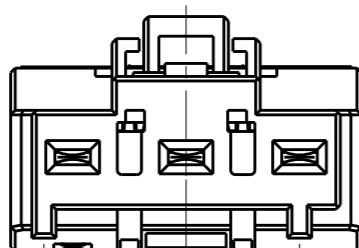
LOC	DIST	REVISIONS			
P	LTR	DESCRIPTION	DATE	DWN	APVD
J	-	SEE SHEET 1			



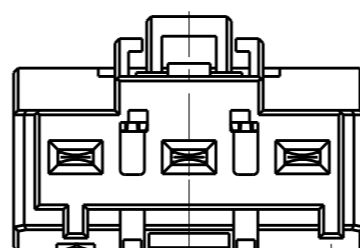
3POS(X-KEY): 1-2013522-3



3POS(Y-KEY): 4-2013522-3

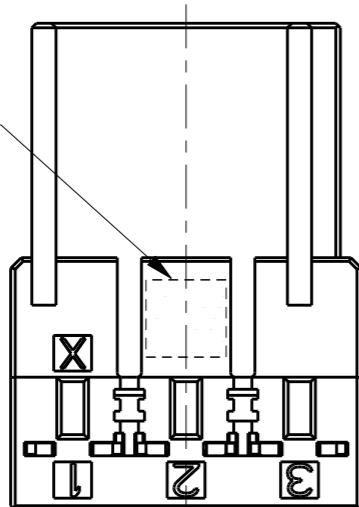


9.4 7.5

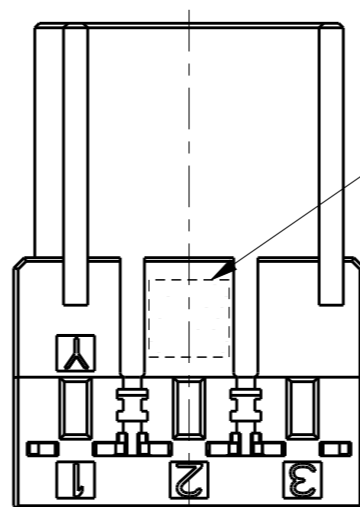


7.5 9.4

COMPANY LOGO



COMPANY LOGO



THIS DRAWING IS A CONTROLLED DOCUMENT.

DIMENSIONS:
mm

TOLERANCES UNLESS OTHERWISE SPECIFIED:

- 0 PLC ±-
- 1 PLC ±-
- 2 PLC ±-
- 3 PLC ±-
- 4 PLC ±-
- ANGLES ±-
- FINISH -

MATERIAL

FINISH

DWN T. KUDO 21APR2008

CHK S. MANABE 21APR2008

APVD S. MANABE 21APR2008

PRODUCT SPEC
108-78400

APPLICATION SPEC

WEIGHT -

CUSTOMER DRAWING



NAME
DYNAMIC D3900S 7.5mmPITCH
REC ASSY (SPRING CLAMP TYPE)
3-10POS TYPE-A

SIZE CAGE CODE DRAWING NO RESTRICTED TO

A300779 C-2013522

SCALE 2:1 SHEET 3 OF 3 REV D1

X-ON Electronics

Largest Supplier of Electrical and Electronic Components

Click to view similar products for [Headers & Wire Housings](#) category:

Click to view products by [TE Connectivity](#) manufacturer:

Other Similar products are found below :

[892-18-020-10-001101](#) [58102-G61-06LF](#) [582553-1](#) [0009485154](#) [009176003701906](#) [0050291907](#) [LY20-4P-DT1-P1E-BR](#) [02.125.8002.8](#)
[609-3404](#) [61062-3](#) [61082-181009](#) [622-3653LF](#) [63453-116](#) [636-1030](#) [636-1427](#) [636-3427](#) [636-4007](#) [641938-9](#) [641991-4](#) [644827-2](#) [65817-](#)
[010LF](#) [65817-015LF](#) [65863-015LF](#) [66207-023LF](#) [67095-007LF](#) [67601157](#) [68645-018](#) [68648-049](#) [70.362.1628.0](#) [70-4210](#) [70-4226B](#) [70-](#)
[4853B](#) [707-5020](#) [707-5028](#) [71.350.2428.0](#) [71918-208LF](#) [71961-016LF](#) [733-134](#) [733-162](#) [754199-000](#) [760-3052](#) [787-8014-00](#) [79531-3000](#)
[FCN-360C032-B](#) [FCN-367T-T012/H](#) [FCN-723D010/2](#) [80.063.4001.1](#) [800-90-001-10-001000](#) [800-90-010-10-002000](#) [801-43-002-10-013000](#)