

THIS DRAWING IS UNPUBLISHED.

RELEASED FOR PUBLICATION

20

© COPYRIGHT 20

BY Tyco Electronics Japan G.K.

ALL RIGHTS RESERVED.

LOC J

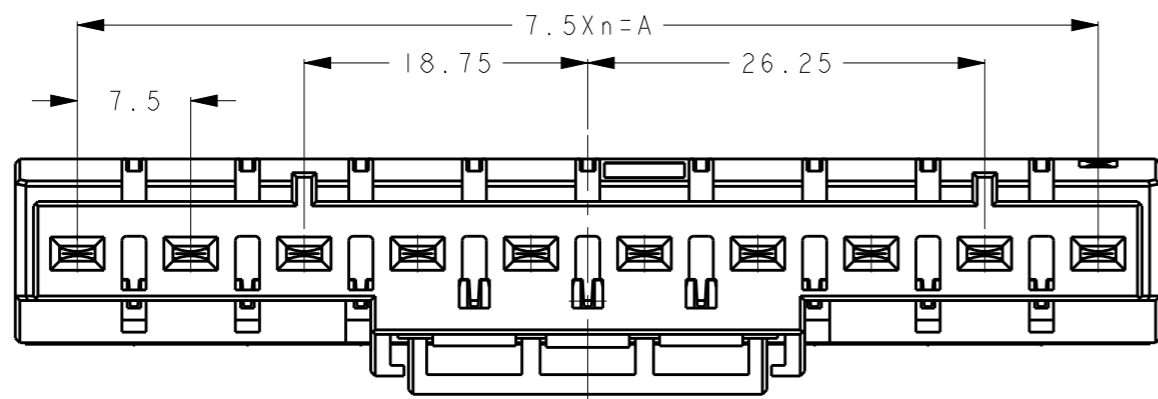
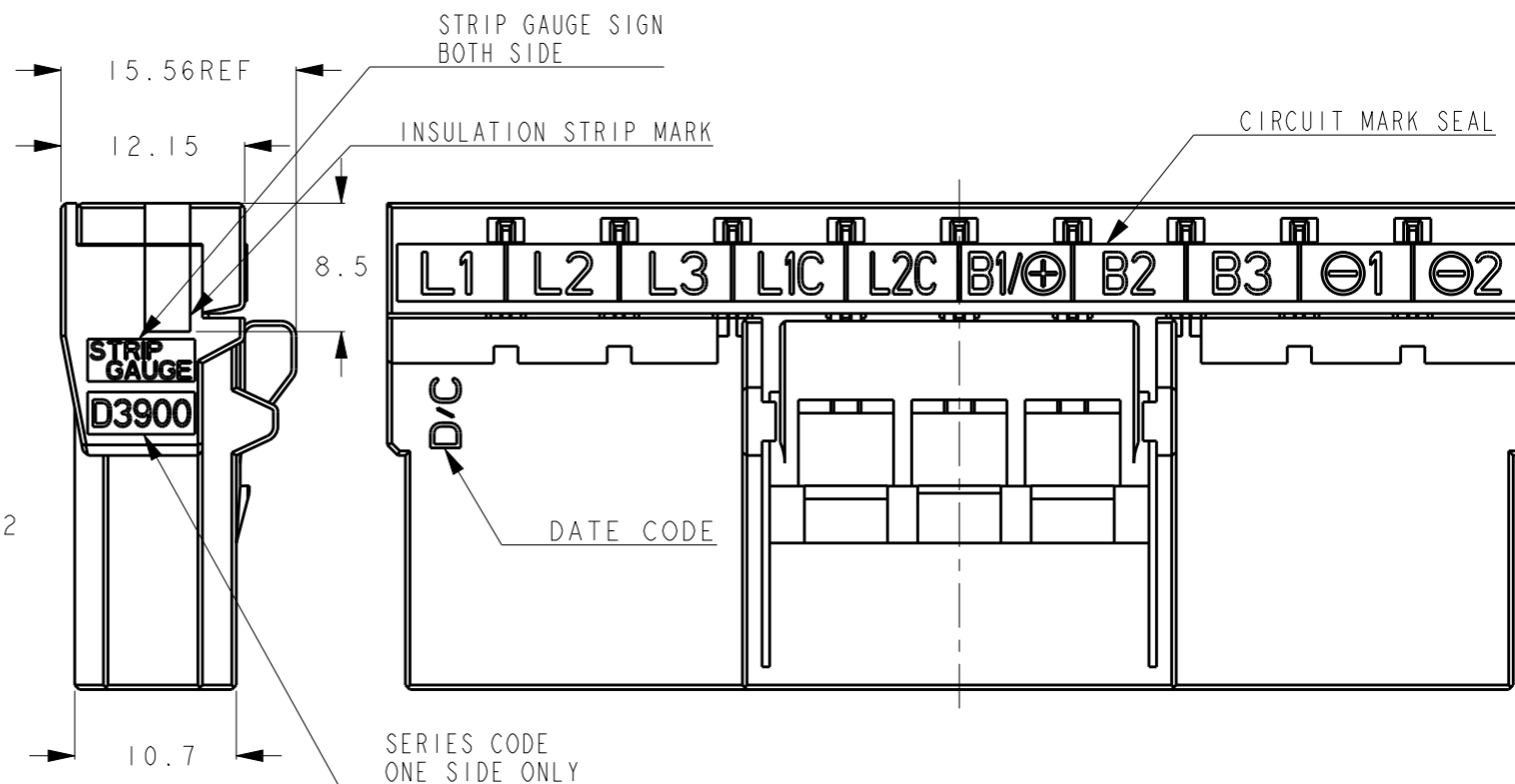
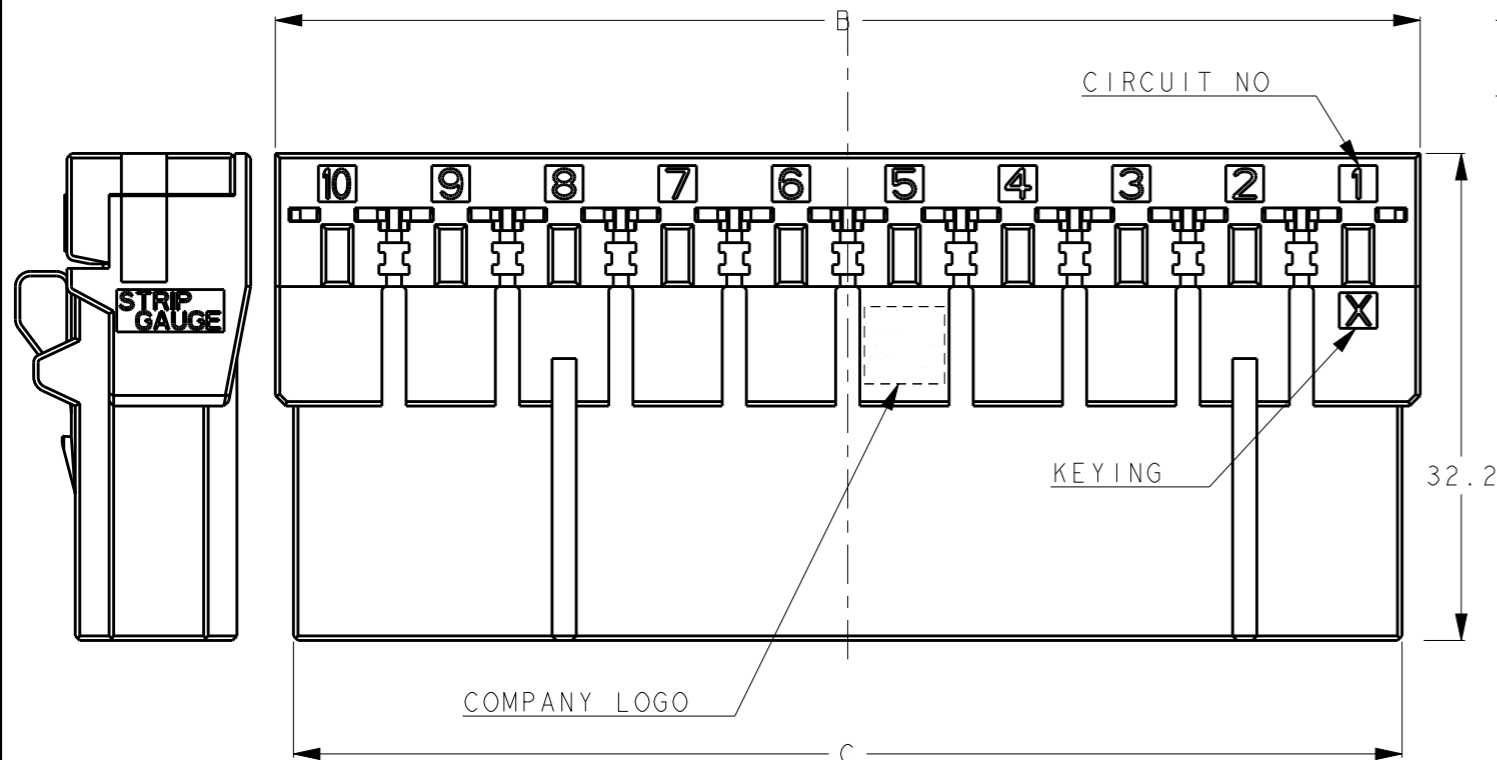
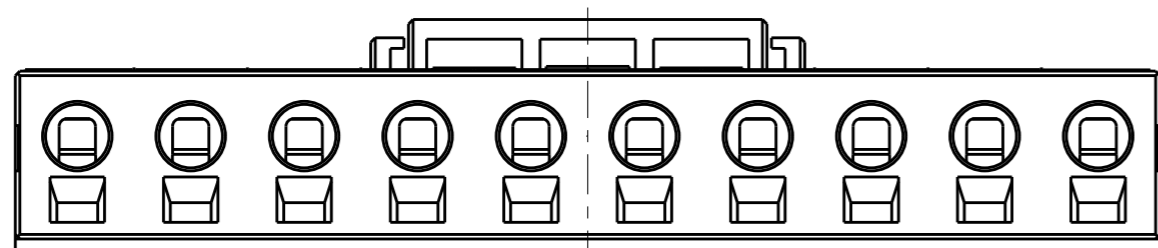
DIST -

REVISIONS

変更

P	LTR	DESCRIPTION	DATE	DWN	APVD
C		REVISED	15APR2014	H.O	N.Y
D		REVISED	17JUN2014	H.O	N.Y
DI		REVISED	330MAR2018	K.T	E.I

AS SHOWN : 1-2013522-0 (10POS, X-KEY)



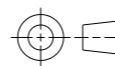
10	Y	9	67.5	75.7	73.3	BLACK	2-2013522-0
10	X	9	67.5	75.7	73.3	BLACK	1-2013522-0
7/10	Z	9	67.5	75.7	73.3	BLACK	9-2013522-0
3	Y	2	15.0	23.2	20.4	NATURAL	4-2013522-3
3	X	2	15.0	23.2	20.4	BLACK	1-2013522-3
POS	KEY	n	A	B	C	COLOR	PART NO

- 1. 材料:ハウジング:熱可塑性ポリエステル樹脂  
コンタクト:銅合金  
スプリング:ステンレス
- 2. めっき:(コンタクト接触部):ニッケル下地めっきの上に金めっき0.38μm以上
- 3. 取扱説明書: 411-78272

- 1. MATERIAL HOUSING:THERMO PLASTIC POLYESTER  
CONTACT: COPPER ALLOY  
SPRING: STAINLESS STEEL
- 2. FINISH (CONTACT AREA): 0.38μm MIN GOLD PLATED OVER NICKEL
- 3. INSTRUCTION SHEET: 411-78272

THIS DRAWING IS A CONTROLLED DOCUMENT.

DIMENSIONS:  
単位: 概  
mm



MATERIAL  
材料

TOLERANCES UNLESS OTHERWISE SPECIFIED:  
一般公差 ±0.3, ±5°

- 0-PLC ±-
- 1-PLC ±-
- 2-PLC ±-
- 3-PLC ±-
- 4-PLC ±-
- ANGLES ±-

FINISH  
仕上

DWN T. KUDO 21APR2008

CHK S. MANABE 21APR2008

APVD S. MANABE 21APR2008

PRODUCT SPEC  
製品規格  
108-78400

APPLICATION SPEC  
取付適用規格

WEIGHT -

CUSTOMER DRAWING

NAME  
名称  
DYNAMIC D3900S 7.5mm PITCH  
REC ASSY (SPRING CLAMP TYPE)  
3-10POS TYPE-A

SIZE	CAGE CODE	DRAWING NO 番号	RESTRICTED TO
A3	00779	C-2013522	

SCALE 2:1 SHEET 1 OF 3 REV DI



THIS DRAWING IS UNPUBLISHED.

RELEASED FOR PUBLICATION

20

© COPYRIGHT 20

BY Tyco Electronics Japan G.K.

ALL RIGHTS RESERVED.

LOC  
J

DIST  
-

REVISIONS

P LTR

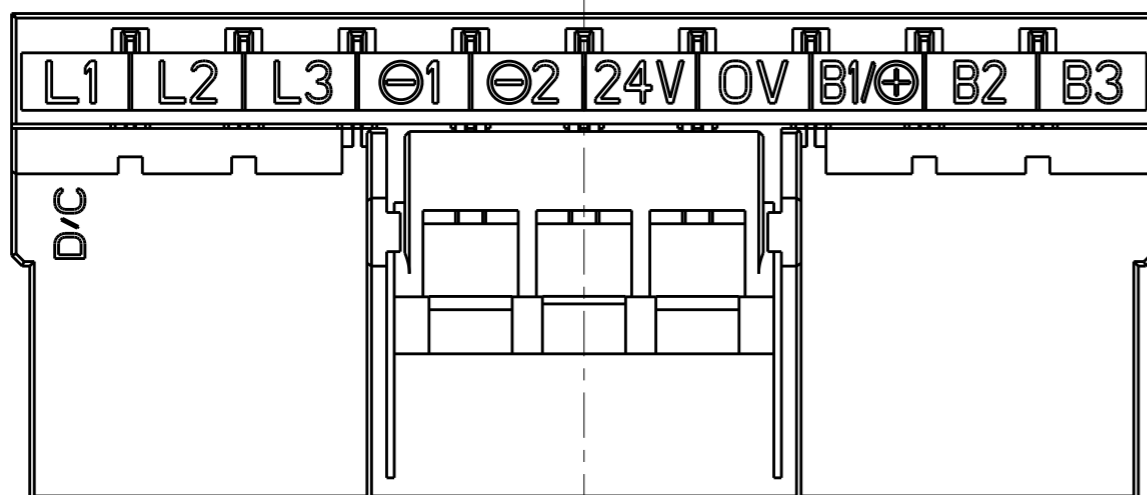
DESCRIPTION

DATE

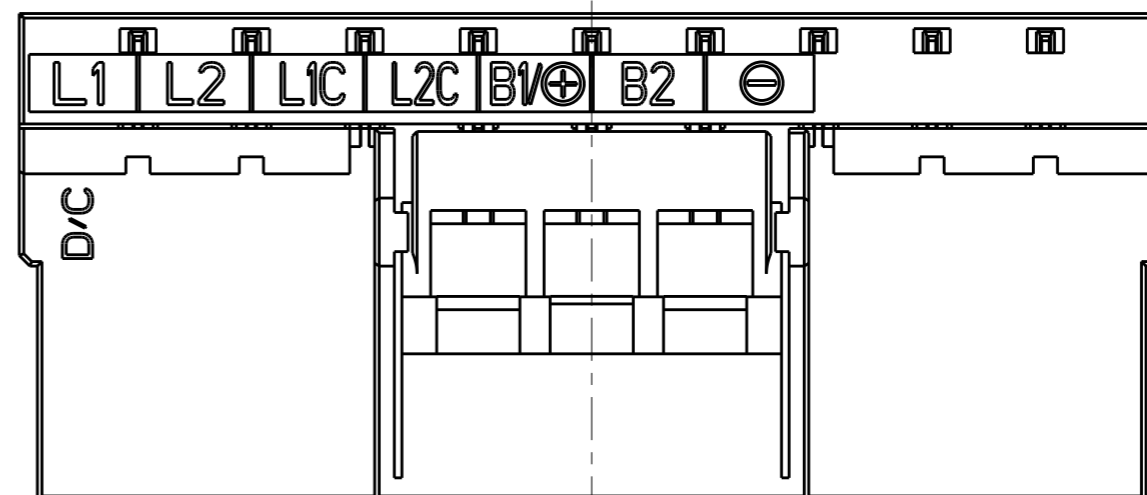
DWN

APVD

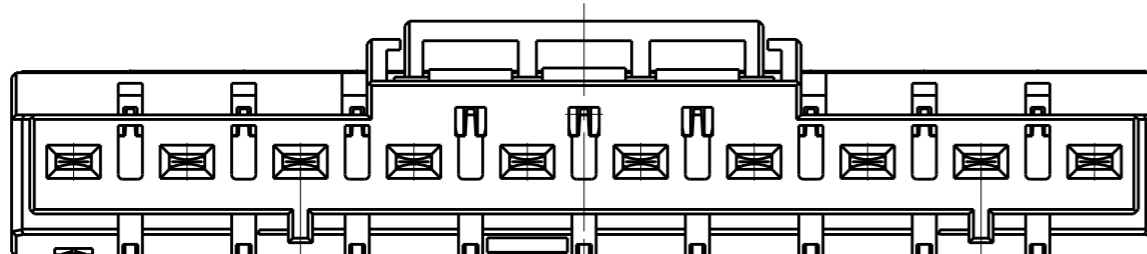
SEE SHEET 1



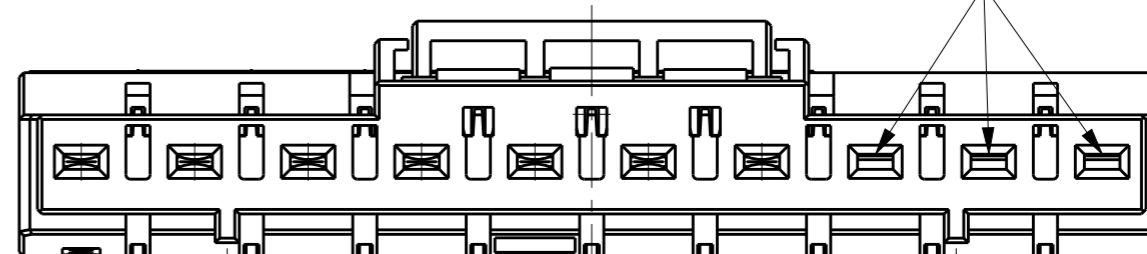
10POS(Y-KEY):2-2013522-0



7/10POS(Z-KEY)  
CIRCUIT 1~7:9-2013522-0



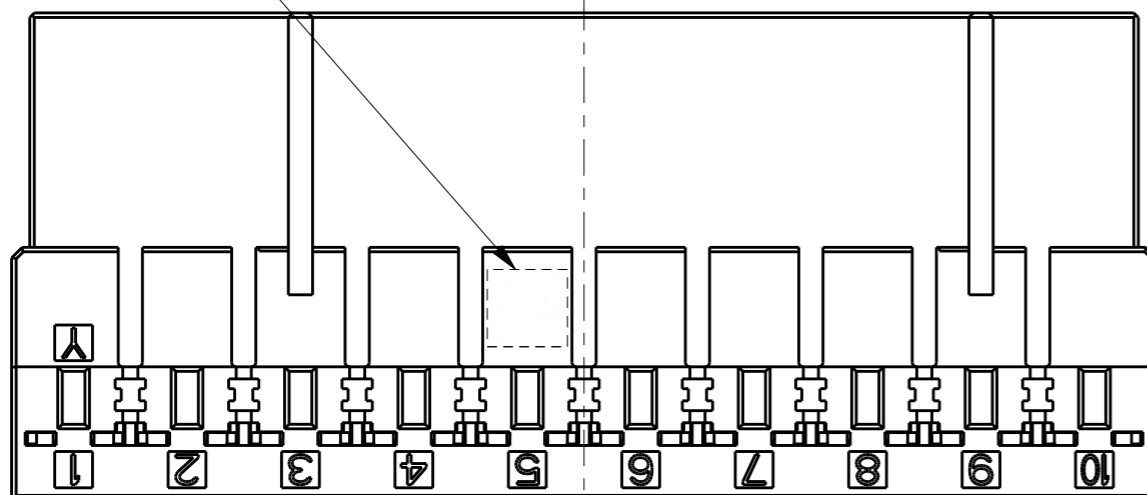
18.75 26.25



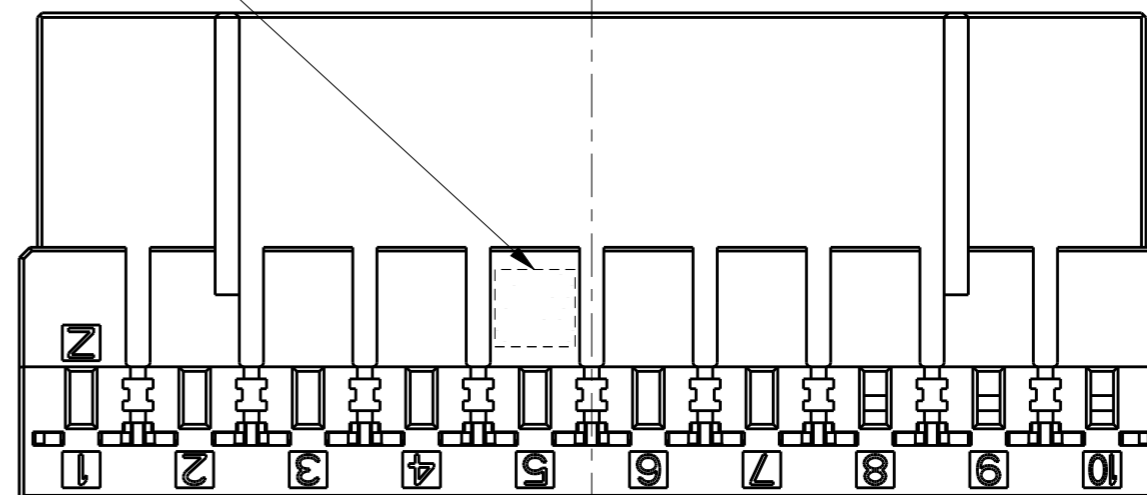
24.1 24.1

NO CONTACT

COMPANY LOGO



COMPANY LOGO



THIS DRAWING IS A CONTROLLED DOCUMENT

DWN T. KUDO 21APR2008

CHK S. MANABE 21APR2008

APVD S. MANABE 21APR2008

PRODUCT SPEC 108-78400

APPLICATION SPEC -

WEIGHT -

CUSTOMER DRAWING



TE Connectivity

NAME  
DYNAMIC D3900S 7.5mmPITCH  
REC ASSY (SPRING CLAMP TYPE)  
3-10POS TYPE-A

SIZE CAGE CODE DRAWING NO RESTRICTED TO

A300779 C-2013522

SCALE 2:1 SHEET 2 OF 3 REV D1

DIMENSIONS: mm  
TOLERANCES UNLESS OTHERWISE SPECIFIED:  
0 PLC ±-  
1 PLC ±-  
2 PLC ±-  
3 PLC ±-  
4 PLC ±-  
ANGLES ±-  
MATERIAL - FINISH -

SEE SHEET 1 OF 3

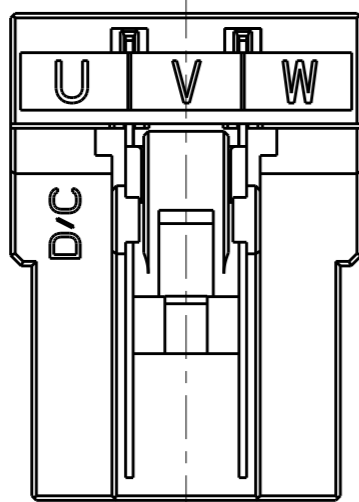
THIS DRAWING IS UNPUBLISHED.

RELEASED FOR PUBLICATION

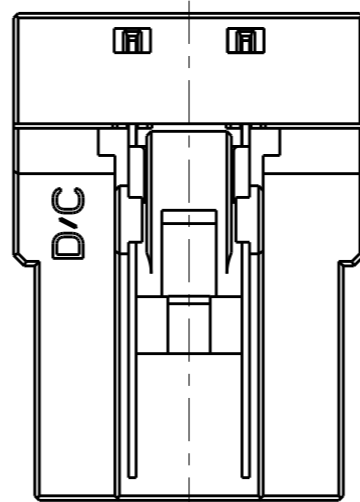
20

© COPYRIGHT 20 BY Tyco Electronics Japan G.K. ALL RIGHTS RESERVED.

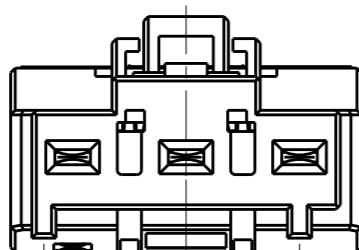
LOC	DIST	REVISIONS					
J	-	P	LTR	DESCRIPTION	DATE	DWN	APVD
				SEE SHEET 1			



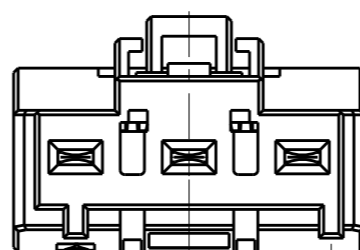
3POS(X-KEY): 1-2013522-3



3POS(Y-KEY): 4-2013522-3

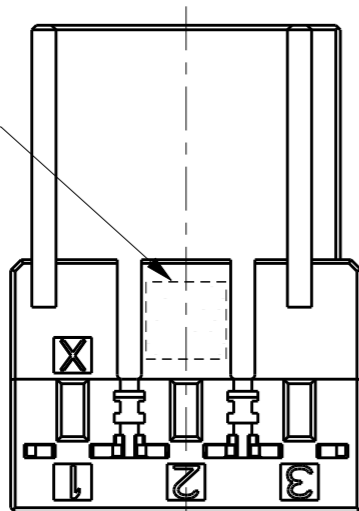


9.4 7.5

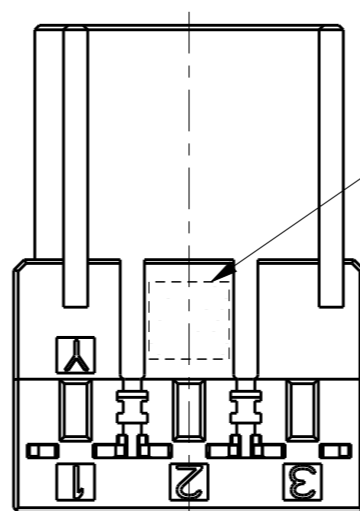


7.5 9.4

COMPANY LOGO



COMPANY LOGO



THIS DRAWING IS A CONTROLLED DOCUMENT.

DIMENSIONS:  
mm

TOLERANCES UNLESS OTHERWISE SPECIFIED:

- 0 PLC ±-
- 1 PLC ±-
- 2 PLC ±-
- 3 PLC ±-
- 4 PLC ±-
- ANGLES ±-
- FINISH -

MATERIAL

DWN T. KUDO 21APR2008

CHK S. MANABE 21APR2008

APVD S. MANABE 21APR2008

PRODUCT SPEC 108-78400

APPLICATION SPEC -

WEIGHT -

CUSTOMER DRAWING



NAME DYNAMIC D3900S 7.5mmPITCH REC ASSY (SPRING CLAMP TYPE) 3-10POS TYPE-A

SIZE CAGE CODE DRAWING NO RESTRICTED TO

A300779 C-2013522

SCALE 2:1 SHEET 3 OF 3 REV D1

## X-ON Electronics

Largest Supplier of Electrical and Electronic Components

*Click to view similar products for [Headers & Wire Housings](#) category:*

*Click to view products by [TE Connectivity](#) manufacturer:*

Other Similar products are found below :

[892-18-020-10-001101](#) [58102-G61-06LF](#) [582553-1](#) [0009485154](#) [009176003701906](#) [0050291907](#) [LY20-4P-DT1-P1E-BR](#) [02.125.8002.8](#)  
[609-3404](#) [61062-3](#) [61082-181009](#) [622-3653LF](#) [63453-116](#) [636-1030](#) [636-1427](#) [636-3427](#) [636-4007](#) [641938-9](#) [641991-4](#) [644827-2](#) [65817-](#)  
[010LF](#) [65817-015LF](#) [65863-015LF](#) [66207-023LF](#) [67095-007LF](#) [67601157](#) [68645-018](#) [68648-049](#) [70.362.1628.0](#) [70-4210](#) [70-4226B](#) [70-](#)  
[4853B](#) [707-5020](#) [707-5028](#) [71.350.2428.0](#) [71918-208LF](#) [71961-016LF](#) [733-134](#) [733-162](#) [754199-000](#) [760-3052](#) [787-8014-00](#) [79531-3000](#)  
[FCN-360C032-B](#) [FCN-367T-T012/H](#) [FCN-723D010/2](#) [80.063.4001.1](#) [800-90-001-10-001000](#) [800-90-010-10-002000](#) [801-43-002-10-013000](#)