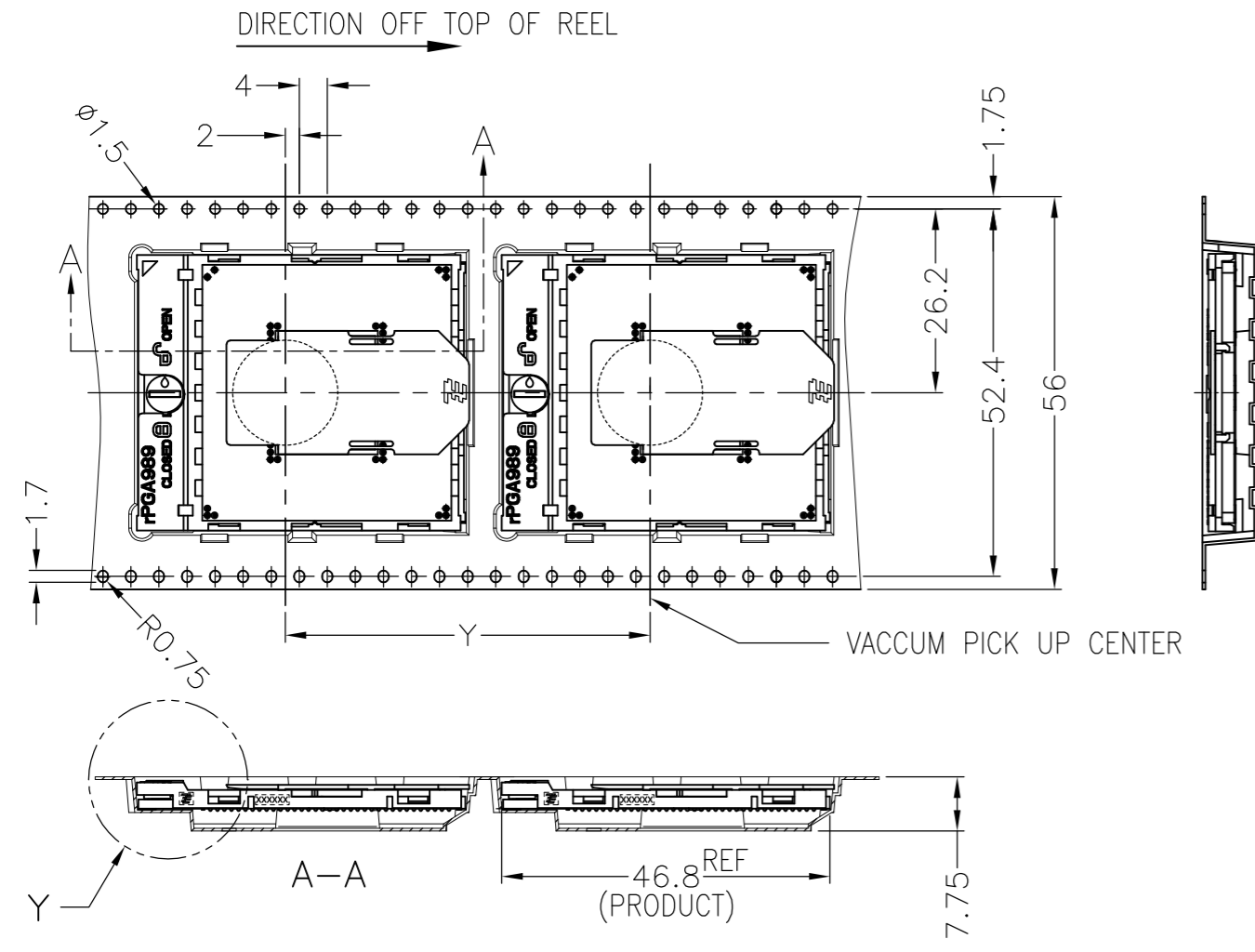
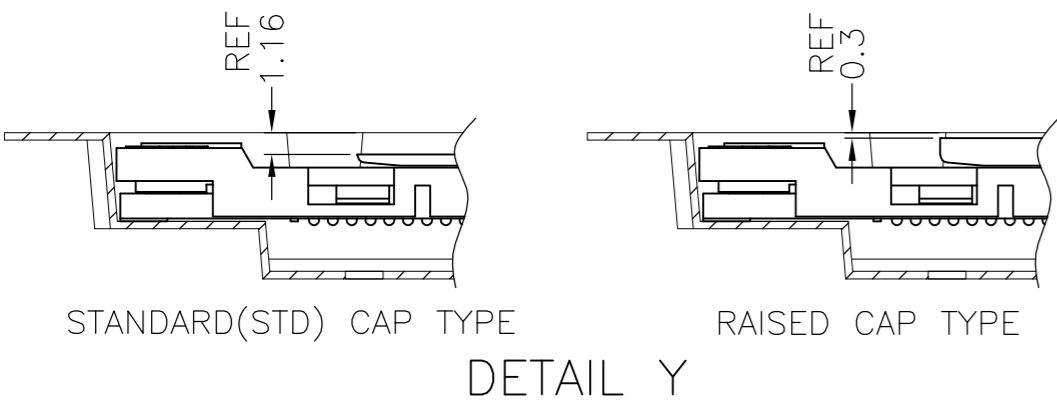


THIS DRAWING IS UNPUBLISHED. RELEASED FOR PUBLICATION
 © COPYRIGHT - By Tyco Electronics Japan G.K. ALL RIGHTS RESERVED.

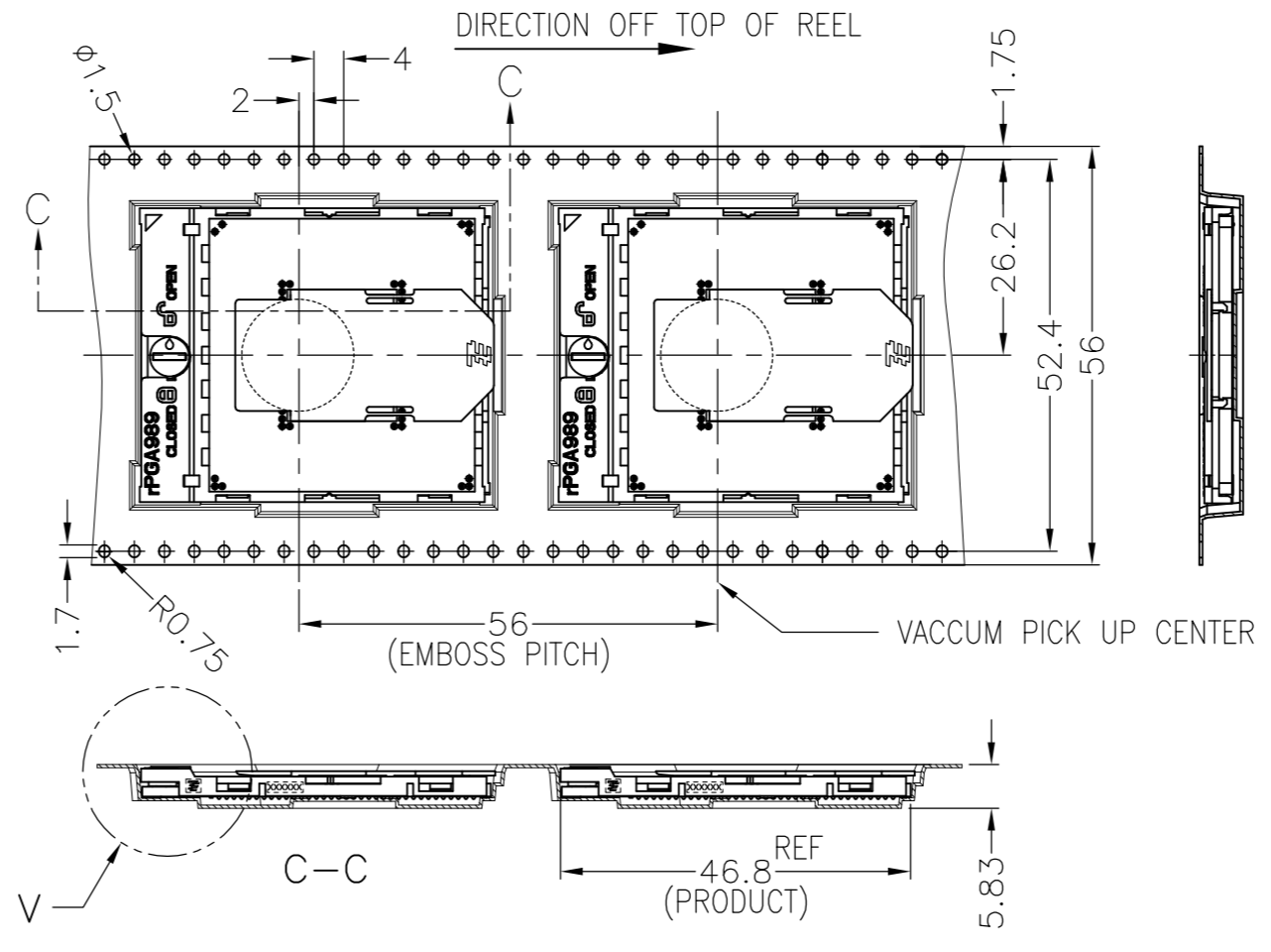
LOC		DIST		REVISIONS			DATE	DWN	APVD
P	LTR	DESCRIPTION							
-	-	SEE SHEET 1			-	-	-	-	-



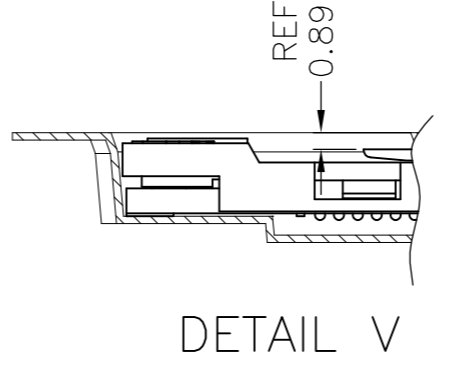
FOR EMBOSS PACKING
 120PCS/REEL AND 160PCS/REEL
 (REFERENCE)



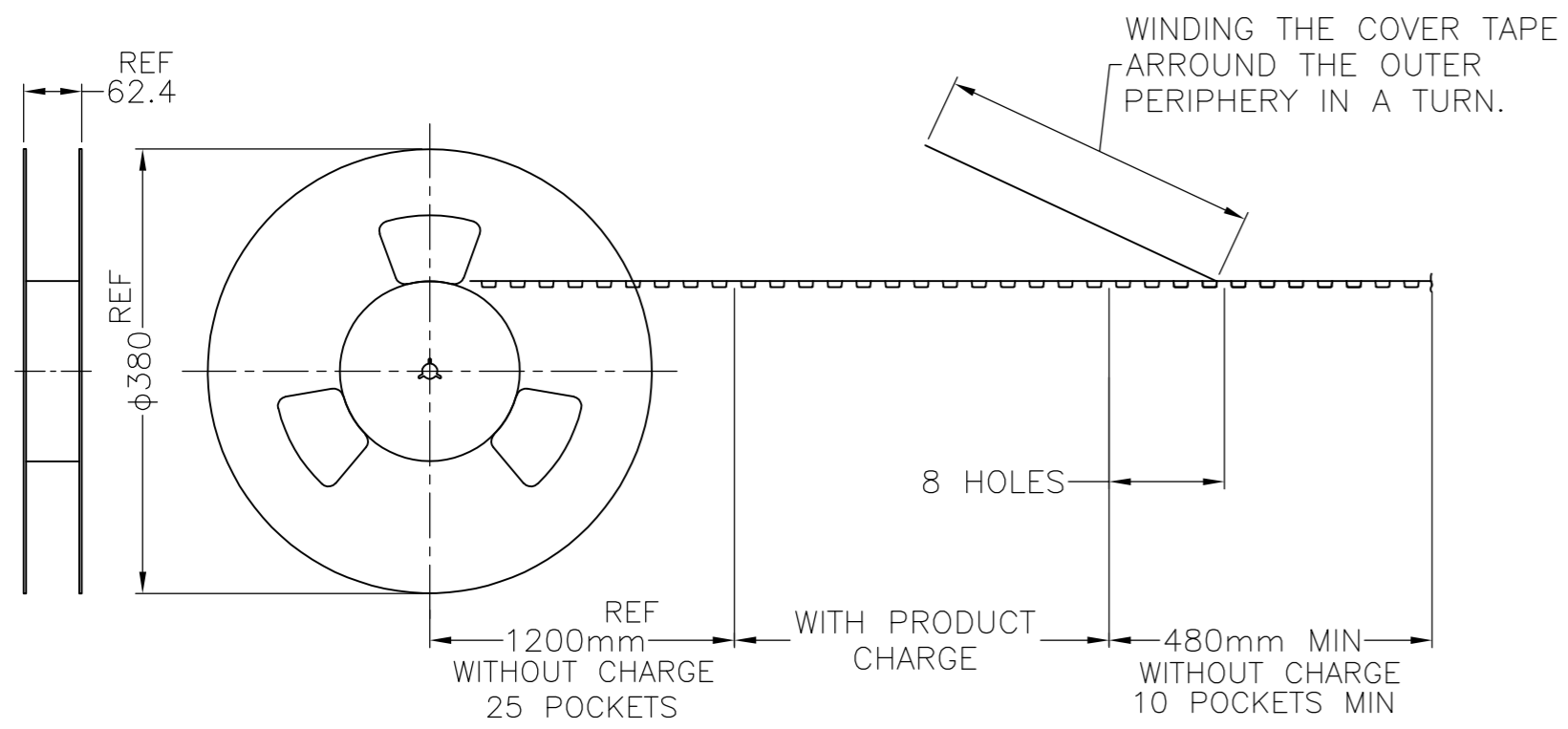
DETAIL Y



FOR EMBOSS PACKING
 180PCS/REEL
 (REFERENCE)



DETAIL V



FOR TAPE & REEL PACKING

THIS DRAWING IS A CONTROLLED DOCUMENT.		DWN	TE Connectivity	
DIMENSIONS: 単位: 耗 mm		CHK	SOCKET ASSY	
TOLERANCES UNLESS OTHERWISE SPECIFIED: 一般公差		APVD	rPGA989 & rPGA988X	
0-PLC ±0.3		PRODUCT SPEC	NAME	
1-PLC ±		APPLICATION SPEC	SIZE	
2-PLC ±		取付適用規格	CAGE CODE	
3-PLC ±			DRAWING NO	
4-PLC ±			番号	
ANGLES ± 1°		WEIGHT	RESTRICTED TO	
FINISH 仕上		A2	-	
MATERIAL 材料		00779	-	
		C=2013620	-	
		CUSTOMER DRAWING	SCALE	SHEET
		NTS	2 of 7	REV
				E4

4

3

2

1

THIS DRAWING IS UNPUBLISHED. RELEASED FOR PUBLICATION
 © COPYRIGHT - By Tyco Electronics Japan G.K. ALL RIGHTS RESERVED.

LOC		DIST		REVISIONS			
P	LTR	DESCRIPTION		DATE	DWN	APVD	
-	-	SEE SHEET 1		-	-	-	

PRODUCT TOP VIEW (WITHOUT CAP)

PRODUCT BOTTOM VIEW

PACKAGE ORIENTATION

rPGA989

rPGA988A

rPGA988B

rPGA988C

rPGA989/988A/988B/988C

STANDARD

989 COVER HOLES
989 SOLDER BALLS

988 COVER HOLES
989 SOLDER BALLS

988 COVER HOLES
989 SOLDER BALLS

988 COVER HOLES
989 SOLDER BALLS

PIN 1 OMIT

180DEG ROTATE

989 COVER HOLES
989 SOLDER BALLS

PIN 1 OMIT

DETAIL Z
COVER HOLE CONFIGURATION

rPGA989

rPGA988A

rPGA988B

rPGA988C

rPGA989
180DEG ROTATE

	7.7	56	120	TAPE & REEL	STD	rPGA989 180DEG ROTATE	5-2013620-3
	7.7	52	160	TAPE & REEL	STD	rPGA989 180DEG ROTATE	5-2013620-2
OBSOLETE	-7.8	56	120	TAPE & REEL	RAISED	rPGA988B	4-2013620-5
	-7.8	56	120	TAPE & REEL	RAISED	rPGA988A	4-2013620-4
	7.8	56	120	TAPE & REEL	RAISED	rPGA989	4-2013620-3
OBSOLETE	-7.7	52	160	TAPE & REEL	STD	rPGA988C	N/A
	7.7	56	120	TAPE & REEL	STD	rPGA988B	2-2013620-3
	-7.7	52	160	TAPE & REEL	STD	rPGA988B	2-2013620-2
OBSOLETE	-7.7	56	120	TAPE & REEL	STD	rPGA988A	1-2013620-3
	-7.7	52	160	TAPE & REEL	STD	rPGA988A	1-2013620-2
	7.7	56	180	TAPE & REEL	STD	rPGA989	2013620-4
	7.7	56	120	TAPE & REEL	STD	rPGA989	2013620-3
	7.7	52	160	TAPE & REEL	STD	rPGA989	2013620-2
	7.7	56	180	HARD TRAY	STD	rPGA989	2013620-1
			18				
	PRODUCT WEIGHT (g/SOCKET)	DIMENSION Y	SOCKET QTY PER TRAY OR REEL	PACKAGE TYPE	CAP TYPE	SOCKET TYPE	PART NO.

THIS DRAWING IS A CONTROLLED DOCUMENT.		DWN	01APR2008	
DIMENSIONS: 単位: 耗 mm		CHK	-	
TOLERANCES UNLESS OTHERWISE SPECIFIED: 一般公差		APVD	-	
0-PLC ±0.3		NAME		
1-PLC ±0.3		SOCKET ASSY		
2-PLC ±0.3		rPGA989 & rPGA988X		
3-PLC ±0.3		PRODUCT SPEC	製品規格	
4-PLC ±0.3		APPLICATION SPEC	取付適用規格	
ANGLES ±		SIZE	CAGE CODE	DRAWING NO
FINISH 仕上		WEIGHT	A2	00779
		CUSTOMER DRAWING	SCALE 4:1	SHEET 4 of 7
			REV E4	

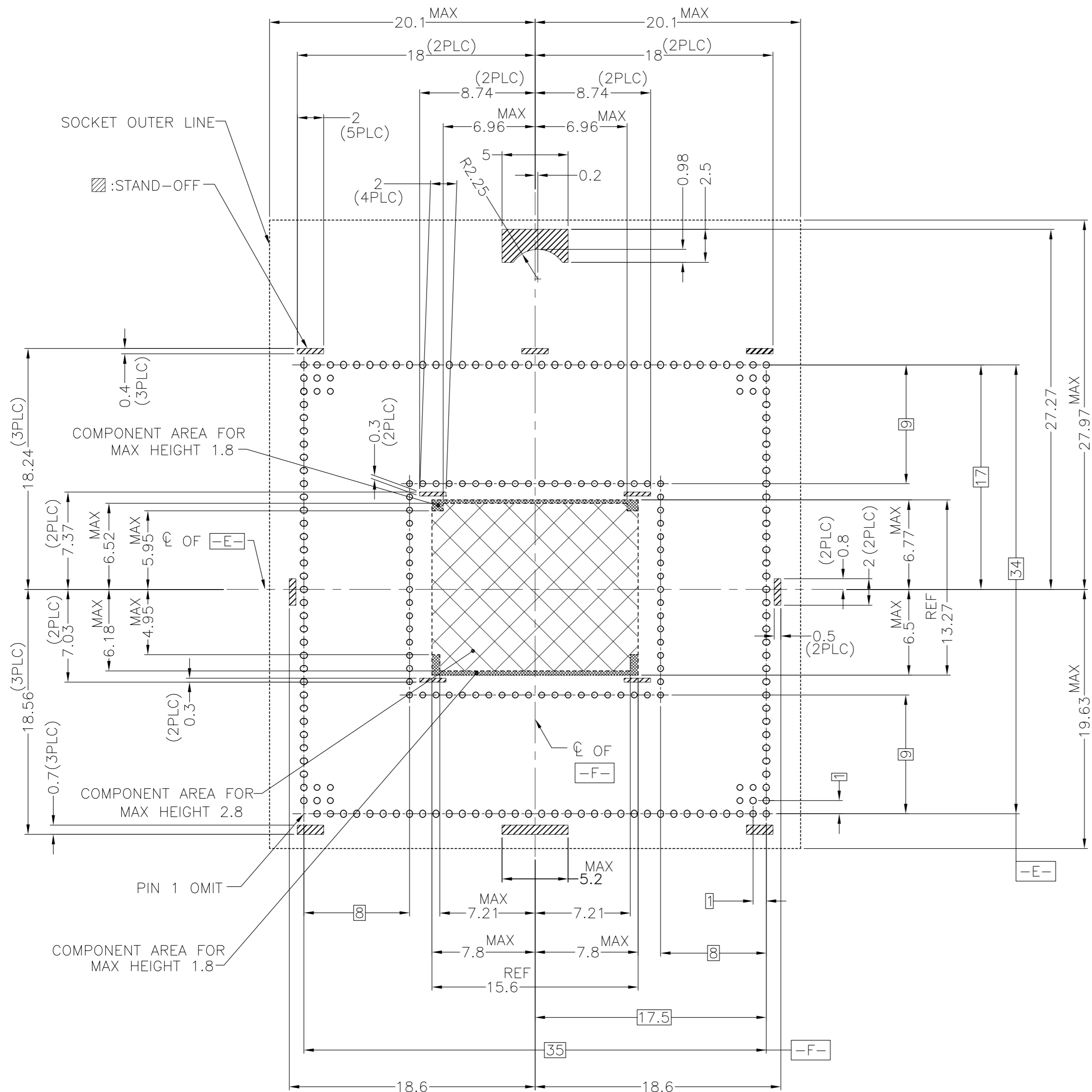
1471-9 (3/11)

2013620

A

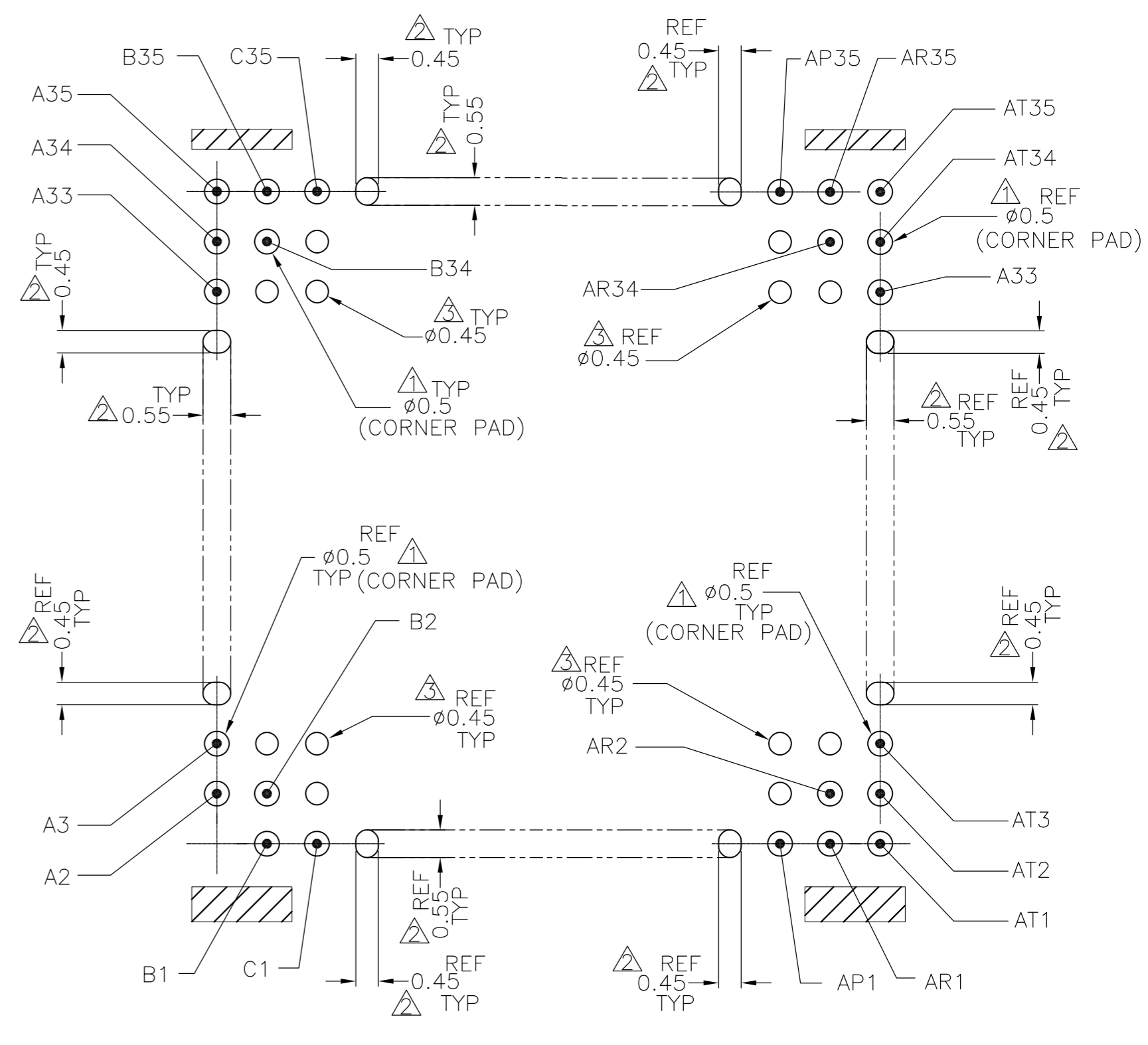
THIS DRAWING IS UNPUBLISHED. RELEASED FOR PUBLICATION
 © COPYRIGHT - By Tyco Electronics Japan G.K. ALL RIGHTS RESERVED.

LOC	DIST	P	LTR	REVISIONS	DATE	DWN	APVD
-	-	-	-	SEE SHEET 1	-	-	-



PCB LAYOUT

5-2013620-X AS SHOWN
 (180DEG ROTATE TYPE)



DETAIL FOR CORNER PAD

THIS DRAWING IS A CONTROLLED DOCUMENT.		DWN: 01APR2008	TE Connectivity SOCKET ASSY rPGA989 & rPGA988X	
DIMENSIONS: 単位: 耗 mm		CHK: -		
TOLERANCES UNLESS OTHERWISE SPECIFIED: 一般公差		APVD: -	PRODUCT SPEC: 製品規格	
0-PLC ±0.3 1-PLC ±0.3 2-PLC ±0.3 3-PLC ±0.3 4-PLC ±0.3 ANGLES ±0.5 FINISH 仕上		APPLICATION SPEC: 取付適用規格	RESTRICTED TO: -	
MATERIAL: 材料		WEIGHT: -	SIZE: A2	
			CAGE CODE: 00779	
			DRAWING NO: 2013620	
CUSTOMER DRAWING		SCALE: 4:1	SHEET: 7 of 7	
			REV: E4	

X-ON Electronics

Largest Supplier of Electrical and Electronic Components

Click to view similar products for IC & Component Sockets category:

Click to view products by TE Connectivity manufacturer:

Other Similar products are found below :

[714-43-102-31-012000](#) [0066-3-17-15-30-14-02-0](#) [0134-0-15-15-32-27-04-0](#) [614-DG5](#) [6527-0-00-15-00-00-03-0](#) [670](#) [672](#) [673](#) [712-93-120-41-001000](#) [714-93-104-31-018000](#) [8059-4G1-LF](#) [807-22-001-10-001101](#) [807-22-001-10-003101](#) [807-22-001-10-004101](#) [807-22-001-10-006101](#) [807-22-001-30-011101](#) [807-22-001-30-012101](#) [807-22-001-30-013101](#) [807-22-001-30-014101](#) [8-1437531-4](#) [8150-6P10](#) [833-93-034-10-001000](#) [835-43-014-10-001000](#) [851-41-006-10-001000](#) [851-43-008-20-001000](#) [851-43-014-20-001000](#) [851-93-006-20-001000](#) [851-93-010-20-001000](#) [853-43-020-10-001000](#) [86.010.0053.0](#) [116-43-306-41-003000](#) [116-43-308-41-007000](#) [116-87-308-41-007101](#) [PX-68LCC](#) [PX-84LCC](#) [121-13-318-41-001000](#) [121-13-320-41-001000](#) [121-13-308-41-001000](#) [123-43-314-41-801000](#) [123-43-420-41-001000](#) [123-43-636-41-001000](#) [123-87-320-41-001101](#) [122-13-316-41-001000](#) [123-13-624-41-001000](#) [123-43-306-41-001000](#) [123-43-322-41-801000](#) [123-43-428-41-001000](#) [123-43-624-41-001000](#) [12-3513-11](#) [123-91-320-41-001000](#)