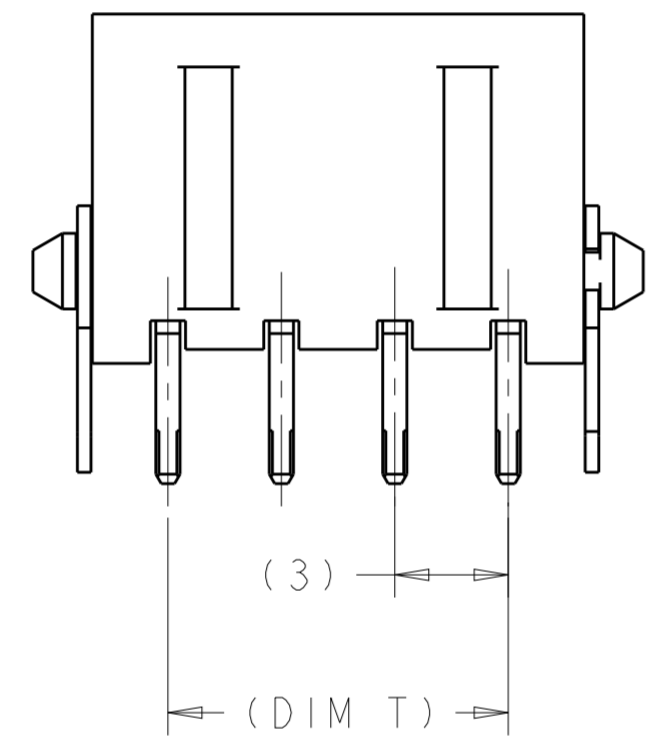
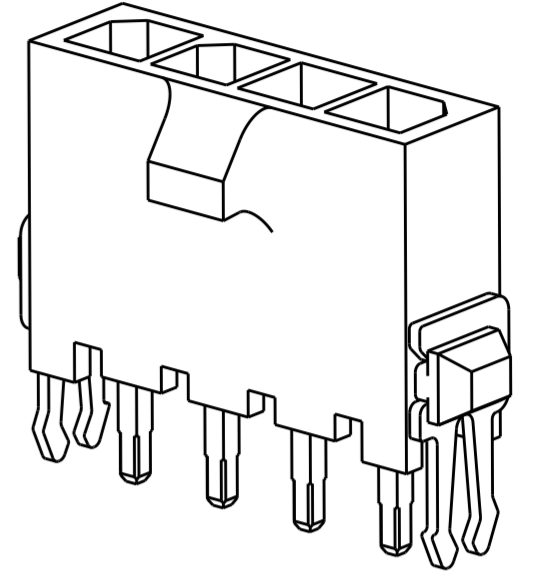
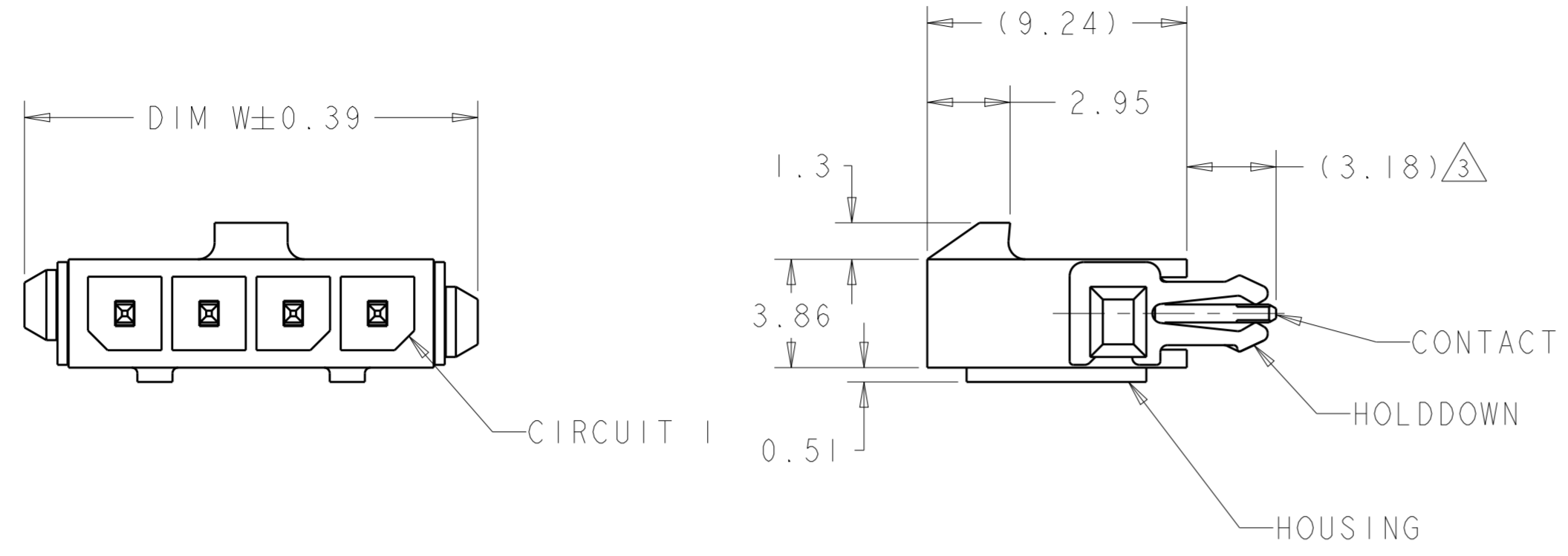
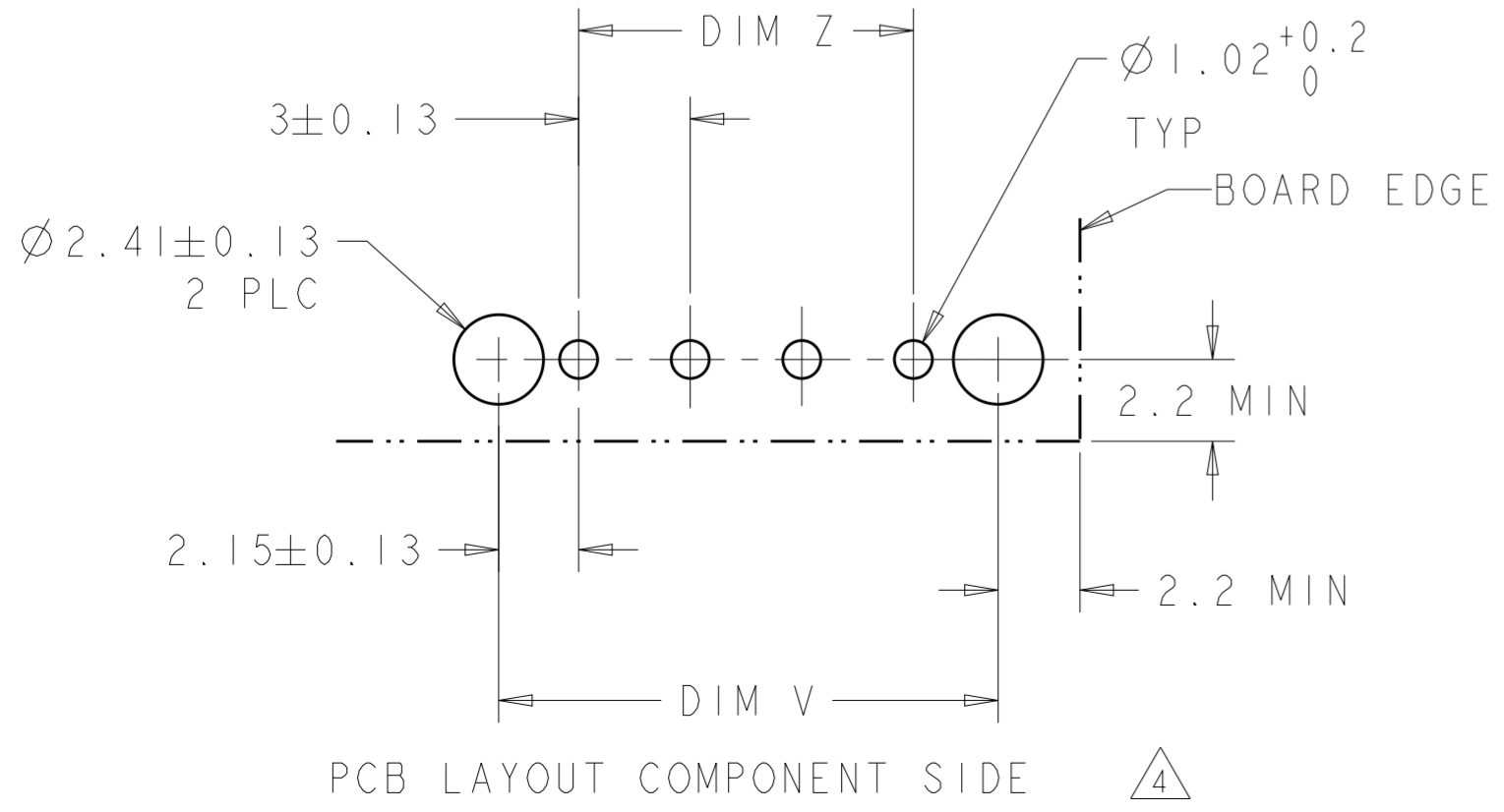


THIS DRAWING IS UNPUBLISHED. RELEASED FOR PUBLICATION 20  
 © COPYRIGHT 20 BY - ALL RIGHTS RESERVED.

LOC	DIST	REVISIONS					
CM	00	P	LTR	DESCRIPTION	DATE	DWN	APVD
		A1		REVISED PER ECR-12-007353	18MAY2012	KH	TM
		A2		REVISED PER ECO-20-009442	13JUL2020	WLS	DZ



- ① MATERIAL: CONTACTS - BRASS  
 HOUSING - UL 94V-0 RATED HIGH TEMP NYLON, COLOR BLACK.  
 HOLDDOWNS- PHOSPHOR BRONZE.
- ② PLATING: CONTACTS - 0.76µm MINIMUM GOLD ON MATING END, 2.54µm MINIMUM MATTE TIN ON SOLDER TAILS, BOTH OVER 1.27µm MINIMUM NICKEL.  
 HOLDDOWNS- 2.54µm MINIMUM MATTE TIN OVER 1.27µm MINIMUM NICKEL.
- ③ NO BARE EDGES ALLOWED ON SOLDER TAILS.
- ④ RECOMMENDED PC BOARD THICKNESS OF 1.57.



②	27.00	31.43	27.00	34.14	10	1-2029037-0
②	9.00	13.43	9.00	16.14	4	2029037-4
FINISH	DIM Z	DIM V	DIM T	DIM W	NO. OF POSN	PART NUMBER

THIS DRAWING IS A CONTROLLED DOCUMENT.		DWN K. WHITAKER 17 JAN 2008	TE Connectivity
DIMENSIONS: mm		CHK C. JONES 17 JAN 2008	
TOLERANCES UNLESS OTHERWISE SPECIFIED:		APVD C. JONES 17 JAN 2008	NAME VERT THRU HOLE HEADER ASSY, 0.76 MIC GOLD CONTS, W/THRU HOLE HOLDDOWNS, SINGLE ROW, MICRO MATE-N-LOK (TM)
0 PLC ± 1 PLC ± 2 PLC ±0.20 3 PLC ± 4 PLC ±		PRODUCT SPEC 108-1836	SIZE A2
MATERIAL ① - SEE TABLE		APPLICATION SPEC 114-13000	CAGE CODE 00779
		WEIGHT -	DRAWING NO C-2029037
		CUSTOMER DRAWING	RESTRICTED TO REV A2
		SCALE 5:1	SHEET 1 OF 1

## X-ON Electronics

Largest Supplier of Electrical and Electronic Components

*Click to view similar products for [Headers & Wire Housings](#) category:*

*Click to view products by [TE Connectivity](#) manufacturer:*

Other Similar products are found below :

[892-18-020-10-001101](#) [58102-G61-06LF](#) [582553-1](#) [0009485154](#) [009176003701906](#) [0050291907](#) [LY20-4P-DT1-P1E-BR](#) [02.125.8002.8](#)  
[609-3404](#) [61062-3](#) [61082-181009](#) [622-3653LF](#) [63453-116](#) [636-1030](#) [636-1427](#) [636-3427](#) [636-4007](#) [641938-9](#) [641991-4](#) [644827-2](#) [65817-](#)  
[010LF](#) [65817-015LF](#) [65863-015LF](#) [66207-023LF](#) [67095-007LF](#) [67601157](#) [68645-018](#) [68648-049](#) [70.362.1628.0](#) [70-4210](#) [70-4226B](#) [70-](#)  
[4853B](#) [707-5020](#) [707-5028](#) [71.350.2428.0](#) [71918-208LF](#) [71961-016LF](#) [733-134](#) [733-162](#) [754199-000](#) [760-3052](#) [79531-3000](#) [FCN-](#)  
[360C032-B](#) [FCN-367T-T012/H](#) [FCN-723D010/2](#) [80.063.4001.1](#) [800-90-010-10-002000](#) [801-43-002-10-013000](#) [801-43-006-10-002000](#)  
[801-93-011-10-001000](#)