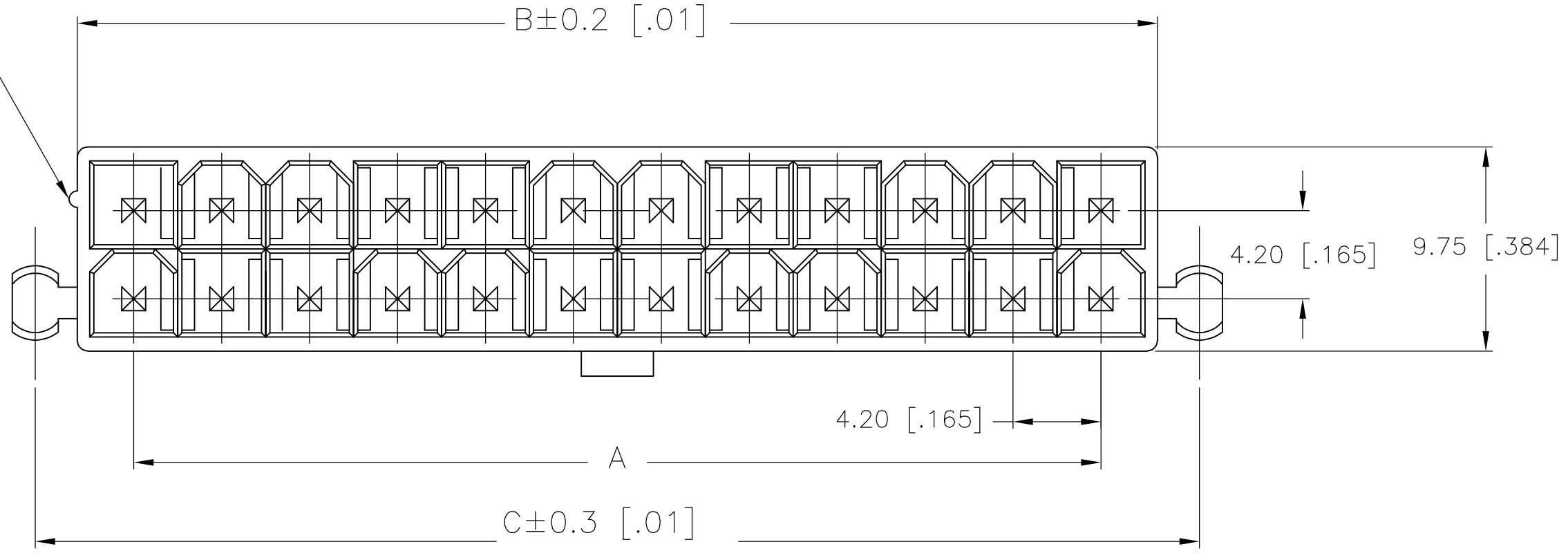


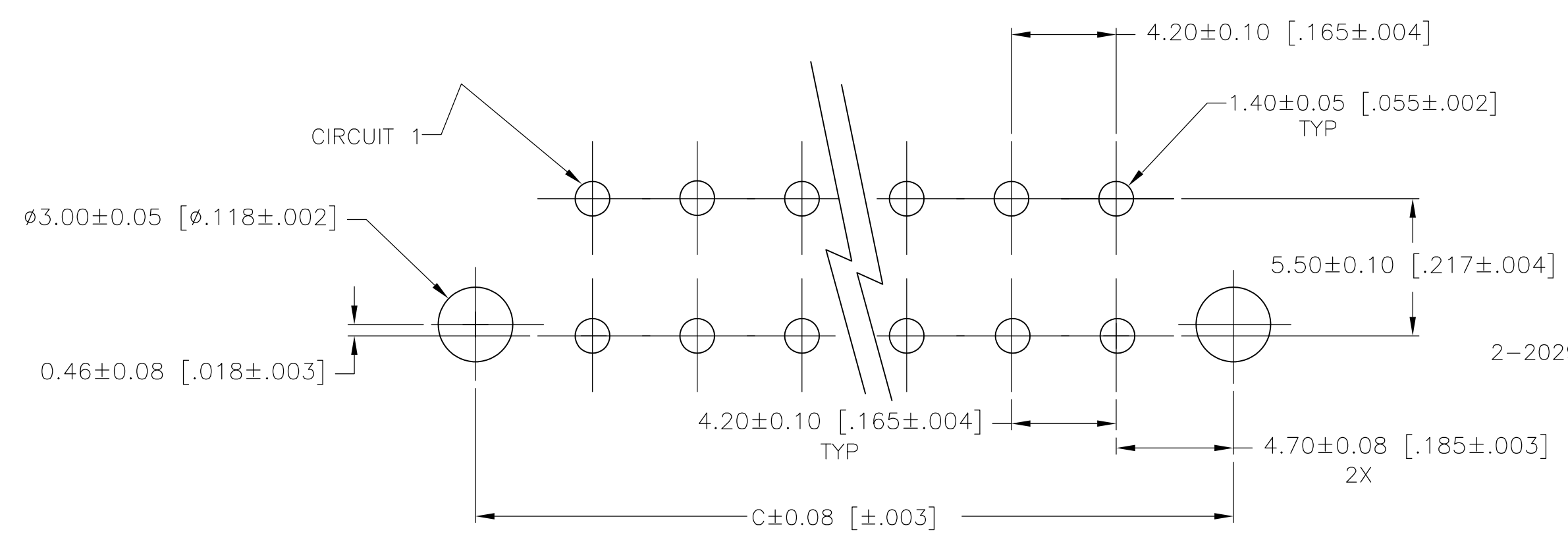
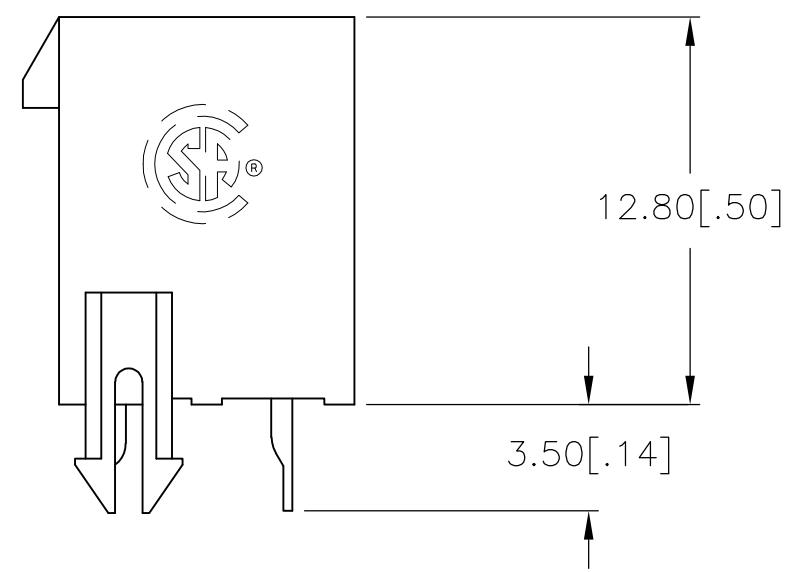
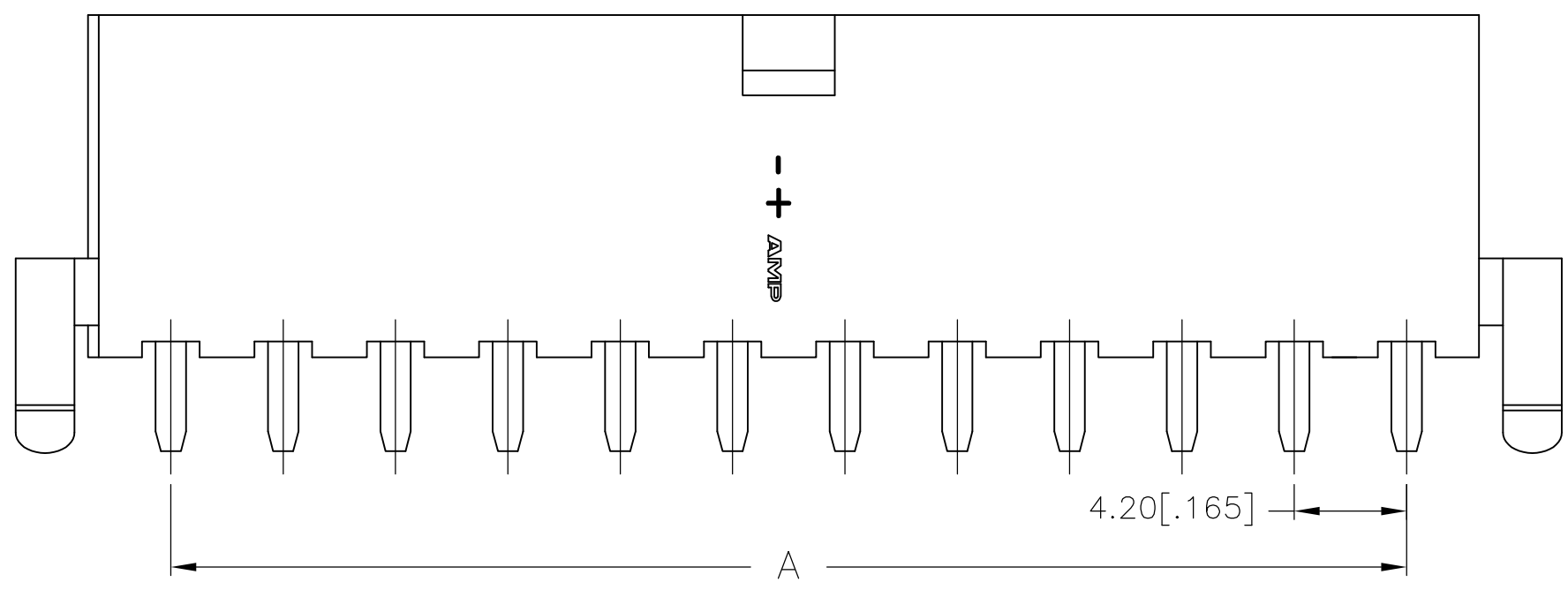
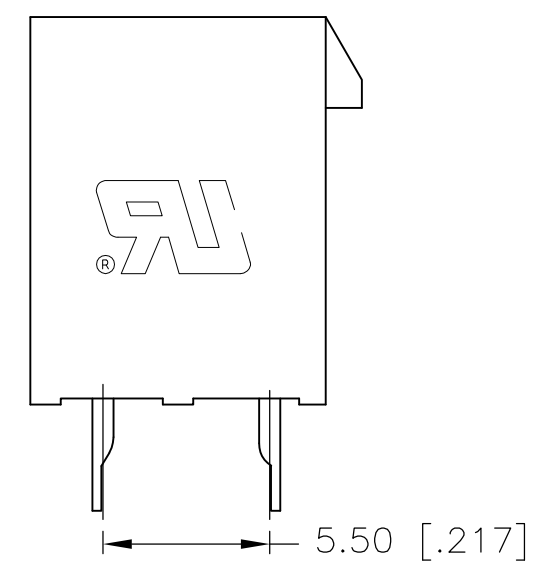
THIS DRAWING IS UNPUBLISHED. RELEASED FOR PUBLICATION
 © COPYRIGHT - By - ALL RIGHTS RESERVED.

LOC		DIST		REVISIONS			
P	LTR	DESCRIPTION	DATE	DWN	APVD		
CM	00						
	C1	REVISED PER ECO-11-005027	11MAR11	RK	HMR		
	D	REVISED PERECR-14-015945	26OCT14	A.Z	D.Z		

POSITION 1 IDENTIFICATION FEATURE



- 1 MATERIAL: HOUSING: NYLON 66 GF20, UL94V-0, NATURAL CONTACTS: BRASS, TIN-PLATED
- 2 GLOW WIRE APPROVED, CONTACT TE CONNECTIVITY ENGINEERING FOR SPECIFICATION.



PCB LAYOUT: COMPONENT SIDE
 RECOMMENDED BOARD THICKNESS 1.78 [.070]

POS	A	B±0.2 [.01]	C±0.35 [.01]	PART NUMBER
24	46.2±0.2 [1.82±.01]	51.60 [2.03]	55.60 [2.19]	2-2029059-4
22	42.0±0.2 [1.65±.01]	47.40 [1.87]	51.40 [2.02]	2-2029059-2
20	37.8±0.2 [1.49±.01]	43.20 [1.70]	47.20 [1.86]	2-2029059-0
18	33.6±0.2 [1.32±.01]	39.00 [1.54]	43.00 [1.69]	1-2029059-8
16	29.4±0.2 [1.16±.01]	34.80 [1.37]	38.80 [1.53]	1-2029059-6
14	25.2±0.2 [.99±.01]	30.60 [1.21]	34.60 [1.36]	1-2029059-4
12	21.0±0.2 [.83±.01]	26.40 [1.04]	30.40 [1.20]	1-2029059-2
10	16.8±0.1 [.66±.00]	22.20 [.87]	26.20 [1.03]	1-2029059-0
8	12.6±0.1 [.50±.00]	18.00 [.71]	22.00 [.87]	2029059-8
6	8.4±0.1 [.33±.00]	13.80 [.54]	17.80 [.70]	2029059-6
4	4.2±0.1 [.17±.00]	9.60 [.38]	13.60 [.54]	2029059-4
2		5.40 [.21]	9.40 [.37]	2029059-2

2-2029059-4 SHOWN

THIS DRAWING IS A CONTROLLED DOCUMENT.		DWN K. WHITAKER 15JAN2008		
DIMENSIONS: mm [INCHES]		CHK C. CASH 15JAN2008		
TOLERANCES UNLESS OTHERWISE SPECIFIED: 0 PLC ± 1 PLC ± 2 PLC ± 0.5 [.02] 3 PLC ± 4 PLC ±		APVD C. CASH 15JAN2008	NAME C. CASH	
MATERIAL		PRODUCT SPEC 108-2112	VERTICAL HEADER WITH PEGS, WITH DRAIN HOLES VAL-U-LOK(TM)	
FINISH		APPLICATION SPEC 114-13172	SIZE A2	RESTRICTED TO
1		WEIGHT	CAGE CODE 00779	DRAWING NO C=2029059
1		CUSTOMER DRAWING	SCALE N/A	SHEET 1 OF 1
			REV D	

X-ON Electronics

Largest Supplier of Electrical and Electronic Components

Click to view similar products for [Headers & Wire Housings](#) category:

Click to view products by [TE Connectivity](#) manufacturer:

Other Similar products are found below :

[892-18-020-10-001101](#) [58102-G61-06LF](#) [582553-1](#) [0009485154](#) [009176003701906](#) [0050291907](#) [LY20-4P-DT1-P1E-BR](#) [02.125.8002.8](#)
[609-3404](#) [61062-3](#) [61082-181009](#) [622-3653LF](#) [63453-116](#) [636-1030](#) [636-1427](#) [636-3427](#) [636-4007](#) [641938-9](#) [641991-4](#) [644827-2](#) [65817-](#)
[010LF](#) [65817-015LF](#) [65863-015LF](#) [66207-023LF](#) [67095-007LF](#) [67601157](#) [68645-018](#) [68648-049](#) [70.362.1628.0](#) [70-4210](#) [70-4226B](#) [70-](#)
[4853B](#) [707-5020](#) [707-5028](#) [71.350.2428.0](#) [71918-208LF](#) [71961-016LF](#) [733-134](#) [733-162](#) [754199-000](#) [760-3052](#) [787-8014-00](#) [79531-3000](#)
[FCN-360C032-B](#) [FCN-367T-T012/H](#) [FCN-723D010/2](#) [80.063.4001.1](#) [800-90-001-10-001000](#) [800-90-010-10-002000](#) [801-43-002-10-013000](#)