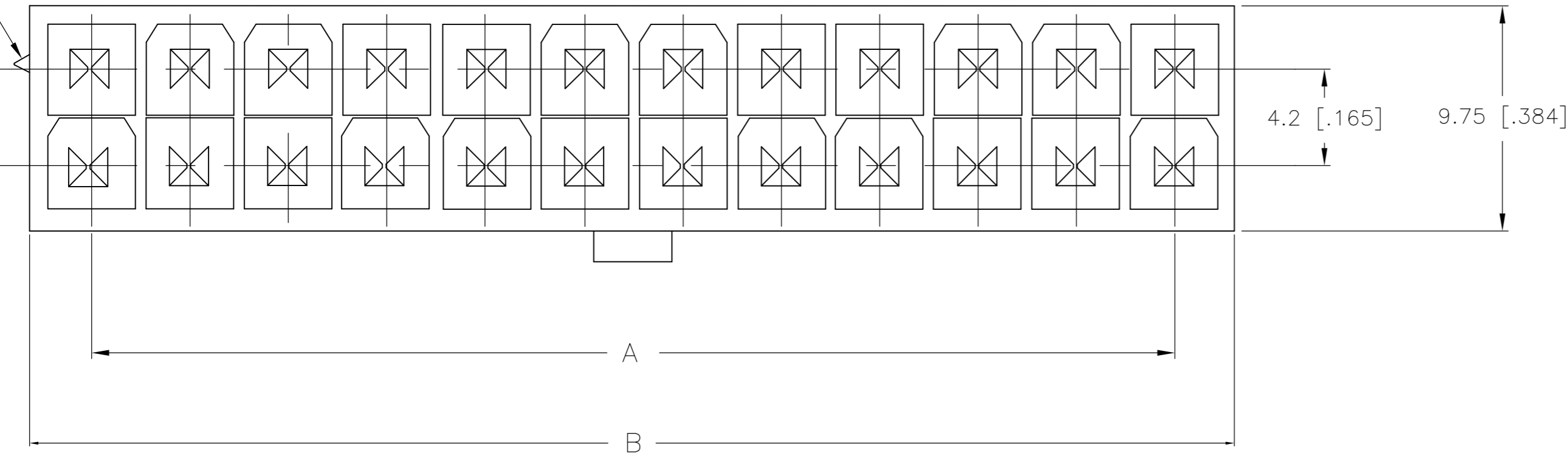


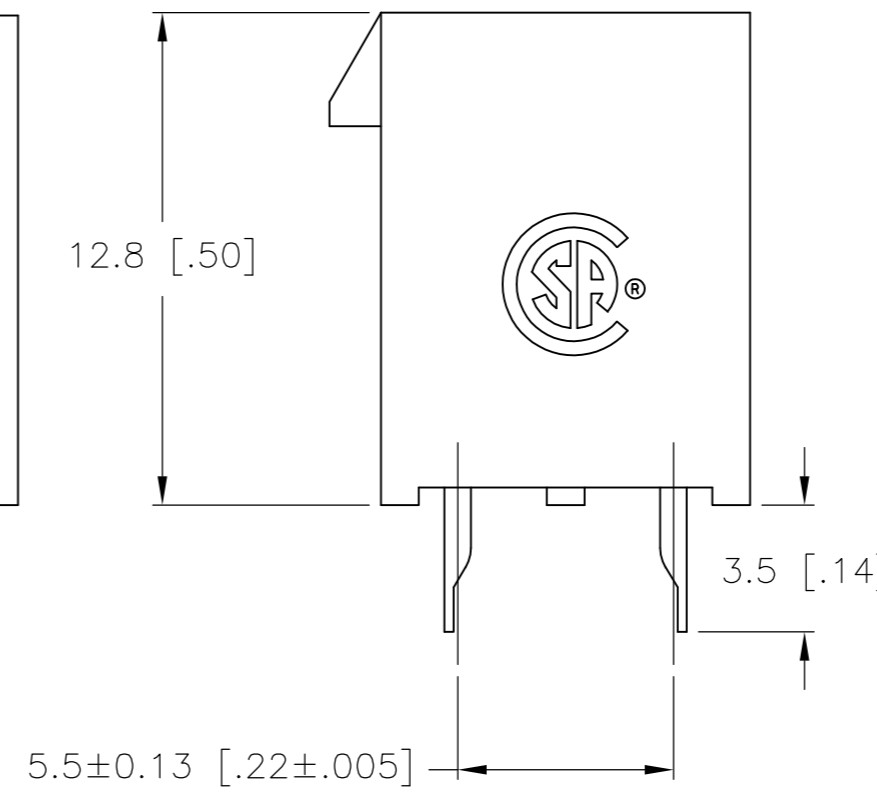
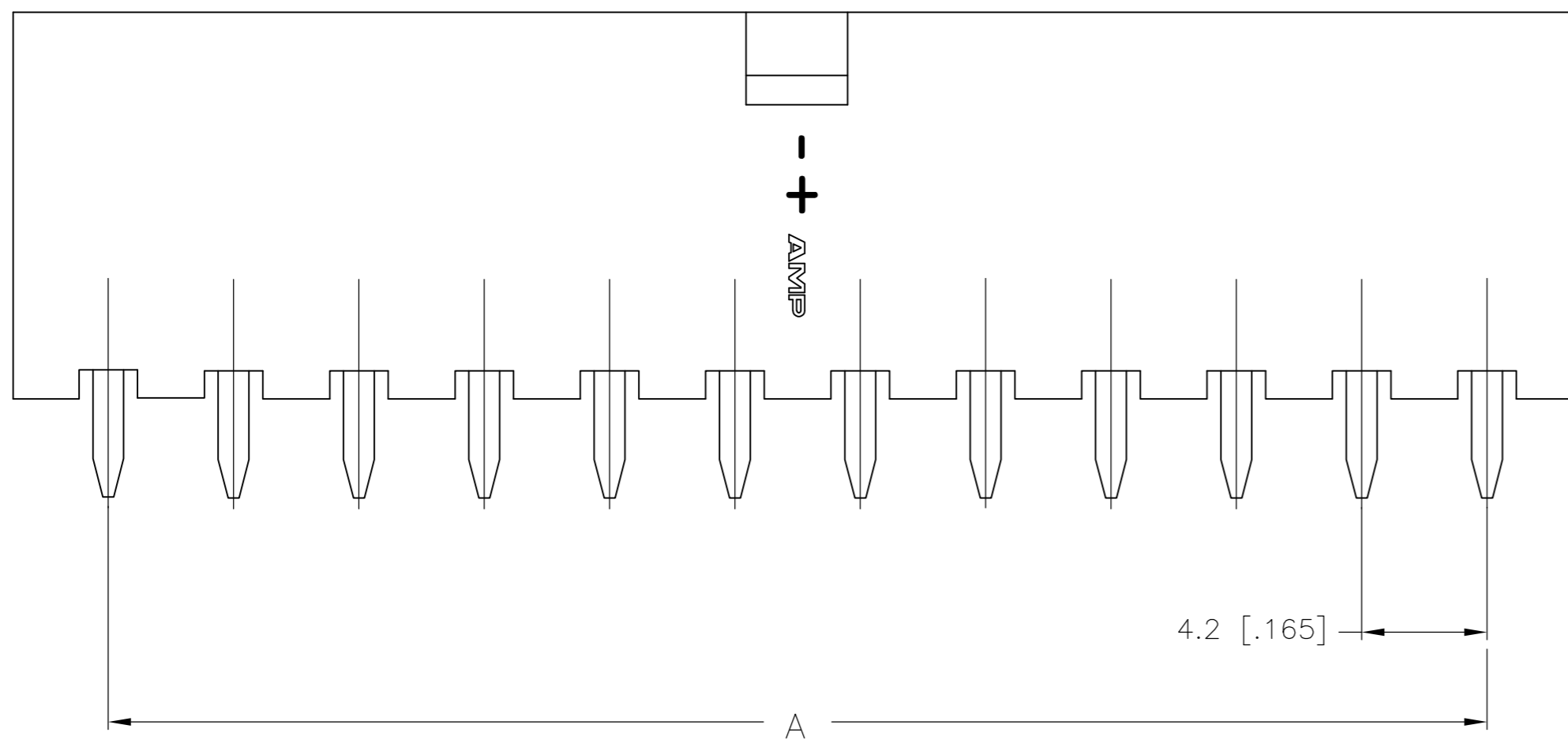
THIS DRAWING IS UNPUBLISHED. RELEASED FOR PUBLICATION  
 © COPYRIGHT BY TYCO ELECTRONICS CORPORATION. ALL RIGHTS RESERVED.

LOC		DIST		REVISIONS			
P	LTR	DESCRIPTION		DATE	DWN	APVD	
	A	WR-08-41		28AUG2008	KW	CC	

POSITION 1  
IDENTIFICATION FEATURE

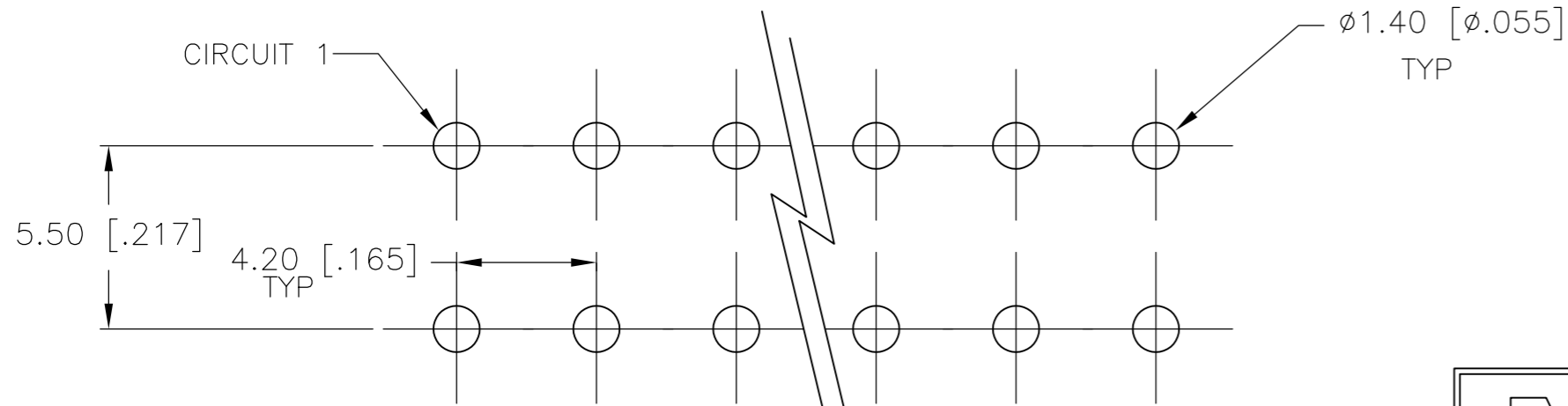


1 MATERIAL: HOUSING: NYLON, UL94V-2  
CONTACTS: BRASS, TIN-PLATED

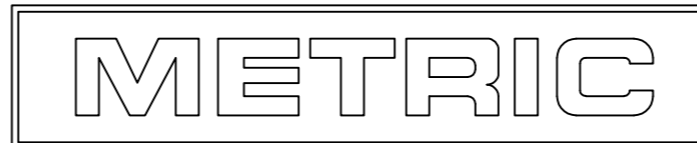


POS	A	B±0.25[.01]	PART NUMBER
24	46.2±0.25 [1.82±.01]	51.6 [2.03]	2-2029170-4
22	42.0±0.25 [1.65±.01]	47.4 [1.87]	2-2029170-2
20	37.8±0.25 [1.49±.01]	43.2 [1.70]	2-2029170-0
18	33.6±0.25 [1.32±.01]	39.0 [1.54]	1-2029170-8
16	29.4±0.25 [1.16±.01]	34.8 [1.37]	1-2029170-6
14	25.2±0.25 [.99±.01]	30.6 [1.21]	1-2029170-4
12	21.0±0.25 [.83±.01]	26.4 [1.04]	1-2029170-2
10	16.8±0.13 [.66±.005]	22.2 [.87]	1-2029170-0
8	12.6±0.13 [.50±.005]	18.0 [.71]	2029170-8
6	8.4±0.13 [.33±.005]	13.8 [.54]	2029170-6
4	4.2±0.13 [.17±.005]	9.6 [.38]	2029170-4
2	-	5.4 [.21]	2029170-2

2-2029170-4 SHOWN



PCB LAYOUT: COMPONENT SIDE  
RECOMMENDED BOARD THICKNESS 1.60 [.063]



THIS DRAWING IS A CONTROLLED DOCUMENT.

DWN K. WHITAKER 28AUG2008	Tyco Electronics Corporation Harrisburg, PA 17105-3608
CHK C. CASH 28AUG2008	
APVD C. CASH 28AUG2008	
PRODUCT SPEC	
APPLICATION SPEC	NAME VERTICAL HEADER, WITHOUT PEGS, WITHOUT DRAIN HOLES, 94V-2, VAL-U-LOK(TM)
WEIGHT	SIZE A2
CUSTOMER DRAWING	CAGE CODE 00779
	DRAWING NO C=2029170
	RESTRICTED TO -
	SCALE 5:1
	SHEET 1 of 1
	REV A

## X-ON Electronics

Largest Supplier of Electrical and Electronic Components

*Click to view similar products for [Headers & Wire Housings](#) category:*

*Click to view products by [TE Connectivity](#) manufacturer:*

Other Similar products are found below :

[892-18-020-10-001101](#) [58102-G61-06LF](#) [582553-1](#) [0009485154](#) [009176003701906](#) [0050291907](#) [LY20-4P-DT1-P1E-BR](#) [02.125.8002.8](#)  
[609-3404](#) [61062-3](#) [61082-181009](#) [622-3653LF](#) [63453-116](#) [636-1030](#) [636-1427](#) [636-3427](#) [636-4007](#) [641938-9](#) [641991-4](#) [644827-2](#) [65817-](#)  
[010LF](#) [65817-015LF](#) [65863-015LF](#) [66207-023LF](#) [67095-007LF](#) [67601157](#) [68645-018](#) [68648-049](#) [70.362.1628.0](#) [70-4210](#) [70-4226B](#) [70-](#)  
[4853B](#) [707-5020](#) [707-5028](#) [71.350.2428.0](#) [71918-208LF](#) [71961-016LF](#) [733-134](#) [733-162](#) [754199-000](#) [760-3052](#) [79531-3000](#) [FCN-](#)  
[360C032-B](#) [FCN-367T-T012/H](#) [FCN-723D010/2](#) [80.063.4001.1](#) [800-90-001-10-001000](#) [800-90-010-10-002000](#) [801-43-002-10-013000](#)  
[801-43-006-10-002000](#)