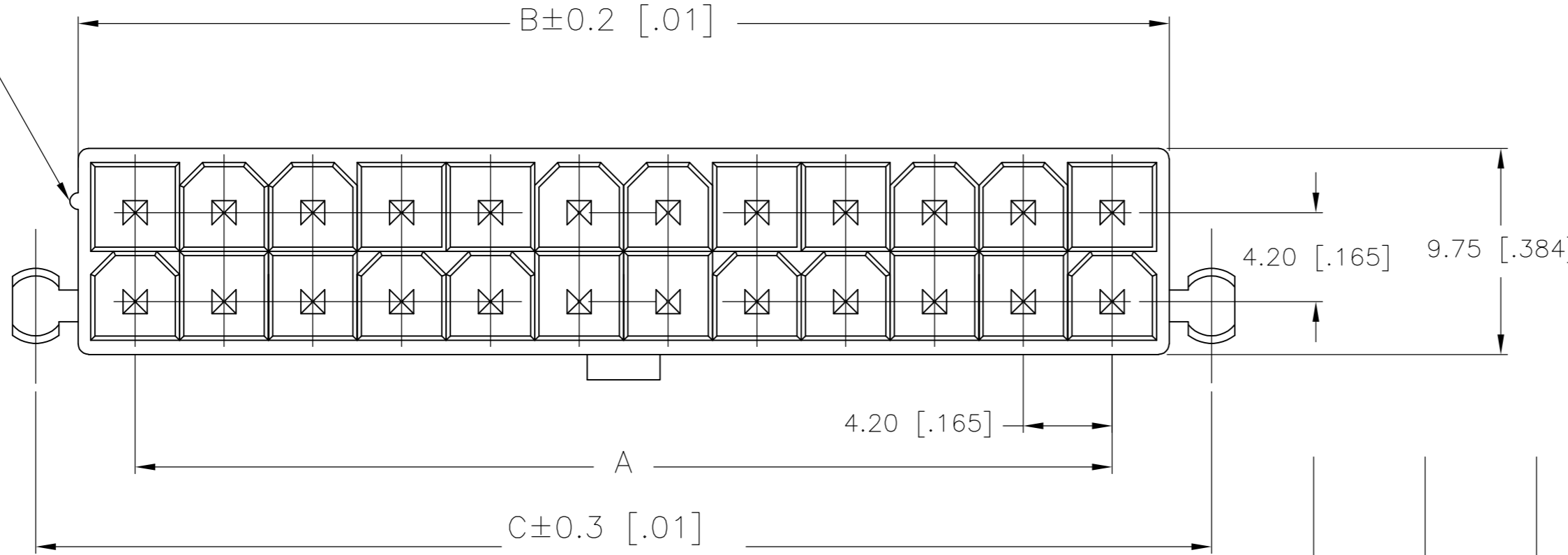


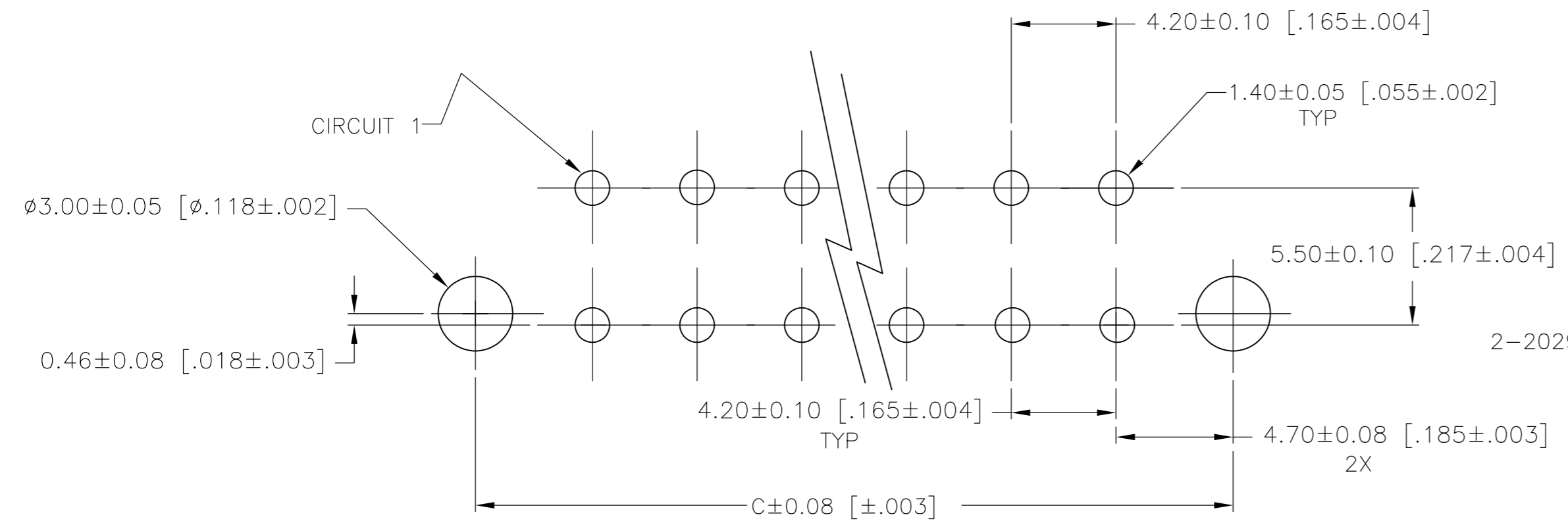
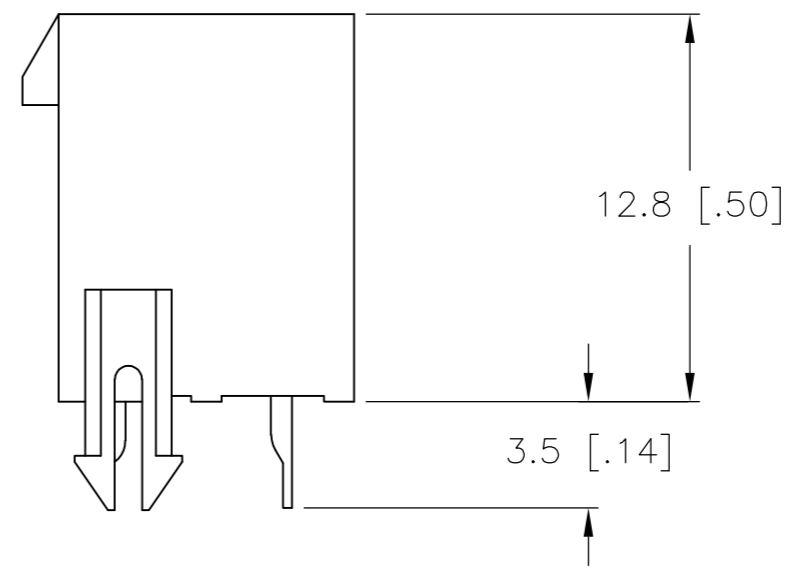
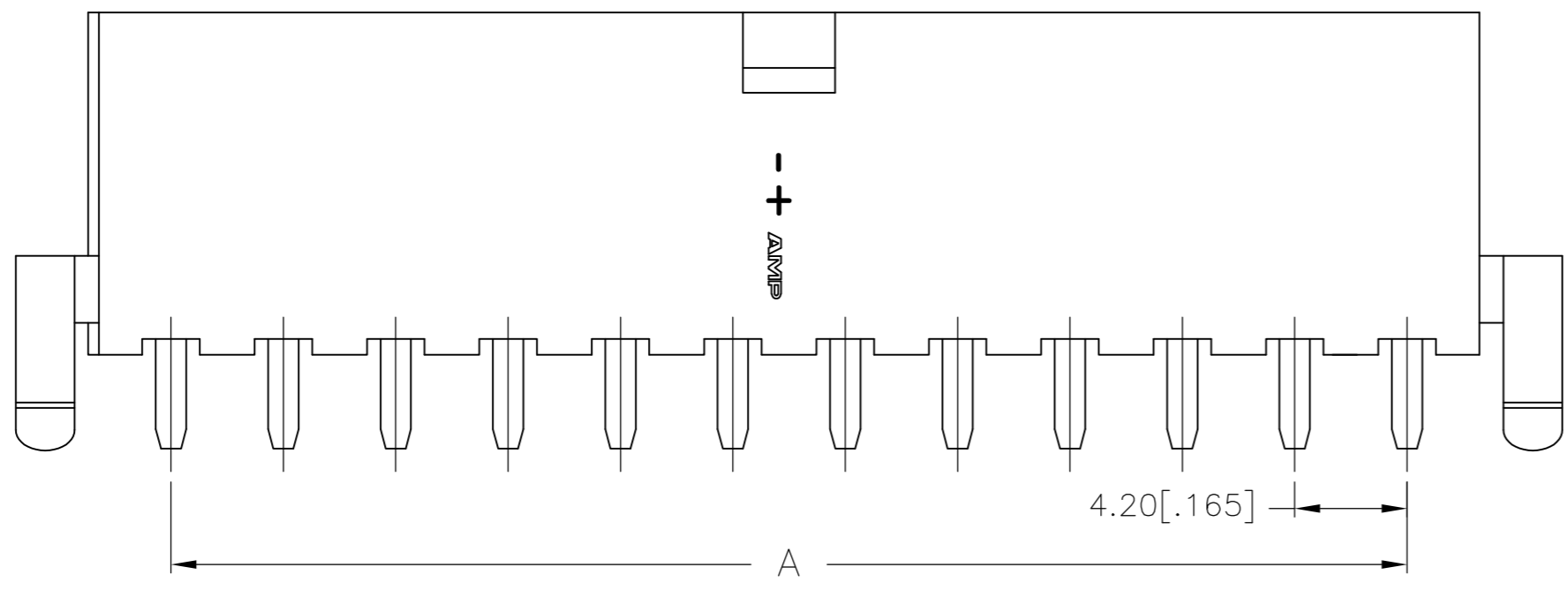
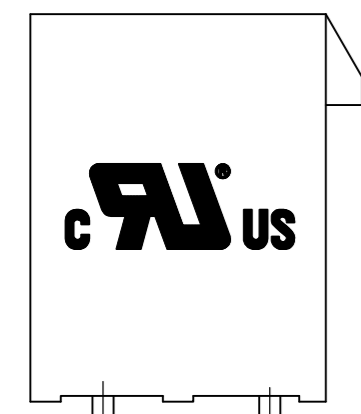
THIS DRAWING IS UNPUBLISHED. RELEASED FOR PUBLICATION
 © COPYRIGHT BY TYCO ELECTRONICS CORPORATION. ALL RIGHTS RESERVED.

LOC	DIST	REVISIONS					
CM	00	P	LTR	DESCRIPTION	DATE	DWN	APVD
		B		ECR-13-005951	07APR2013	AZ	FM
		B1		ECR-13-017995	18NOV2013	AZ	FM
		B2		ECR-14-003529	10MAR2014	AZ	DZ

POSITION 1 IDENTIFICATION FEATURE



- 1 MATERIAL: HOUSING: POLYAMIDE, UL94V-0, NATURAL CONTACTS: BRASS, TIN-PLATED
- 2 GLOW WIRE APPROVED, CONTACT TYCO ELECTRONICS ENGINEERING FOR SPECIFICATION.



PCB LAYOUT: COMPONENT SIDE
 RECOMMENDED BOARD THICKNESS 1.78 [.070]

POS	A	B±0.2 [.01]	C±0.35 [.01]	PART NUMBER
24	46.2±0.2 [1.82±.01]	51.6 ^{+0.5} ₋₀ [2.03 ^{+0.02} ₀]	55.6 [2.19]	2-2029265-4
22	42.0±0.2 [1.65±.01]	47.4 ^{+0.5} ₋₀ [1.87 ^{+0.02} ₀]	51.4 [2.02]	2-2029265-2
20	37.8±0.2 [1.49±.01]	43.2 ^{+0.5} ₋₀ [1.70 ^{+0.02} ₀]	47.2 [1.86]	2-2029265-0
18	33.6±0.2 [1.32±.01]	39.0 ^{+0.5} ₋₀ [1.54 ^{+0.02} ₀]	43.0 [1.69]	1-2029265-8
16	29.4±0.2 [1.16±.01]	34.8 ^{+0.5} ₋₀ [1.37 ^{+0.02} ₀]	38.8 [1.53]	1-2029265-6
14	25.2±0.2 [.99±.01]	30.6 ^{+0.5} ₋₀ [1.21 ^{+0.02} ₀]	34.6 [1.36]	1-2029265-4
12	21.0±0.2 [.83±.01]	26.4 [1.04]	30.4 [1.20]	1-2029265-2
10	16.8±0.1 [.66±.00]	22.2 [.87]	26.2 [1.03]	1-2029265-0
8	12.6±0.1 [.50±.00]	18.0 [.71]	22.0 [.87]	2029265-8
6	8.4±0.1 [.33±.00]	13.8 [.54]	17.8 [.70]	2029265-6
4	4.2±0.1 [.17±.00]	9.6 [.38]	13.6 [.54]	2029265-4
2		5.4 [.21]	9.4 [.37]	2029265-2

2-2029265-4 SHOWN

THIS DRAWING IS A CONTROLLED DOCUMENT.		DWN K. WHITAKER 04NOV2008	Tyco Electronics Corporation Harrisburg, PA 17105-3608	
DIMENSIONS: mm [INCHES]		CHK C. CASH 04NOV2008	NAME VERTICAL HEADER WITH PEGS, WITHOUT DRAIN HOLES VAL-U-LOK(TM)	
TOLERANCES UNLESS OTHERWISE SPECIFIED: 0 PLC ± 1 PLC ± 2 PLC ± 0.5 [.02] 3 PLC ± 0.25 [.010] 4 PLC ± 0.150 [0059] ANGLES ±		APVD C. CASH 04NOV2008	SIZE A2	
MATERIAL 1		FINISH	CAGE CODE 00779	DRAWING NO C=2029265
		WEIGHT	RESTRICTED TO -	
		CUSTOMER DRAWING	SCALE 10:1	SHEET 1 of 1
			REV B2	

X-ON Electronics

Largest Supplier of Electrical and Electronic Components

Click to view similar products for [Headers & Wire Housings](#) category:

Click to view products by [TE Connectivity](#) manufacturer:

Other Similar products are found below :

[892-18-020-10-001101](#) [58102-G61-06LF](#) [582553-1](#) [0009485154](#) [009176003701906](#) [0050291907](#) [LY20-4P-DT1-P1E-BR](#) [02.125.8002.8](#)
[609-3404](#) [61062-3](#) [61082-181009](#) [622-3653LF](#) [63453-116](#) [636-1030](#) [636-1427](#) [636-3427](#) [636-4007](#) [641938-9](#) [641991-4](#) [644827-2](#) [65817-010LF](#) [65817-015LF](#) [65863-015LF](#) [66207-023LF](#) [67095-007LF](#) [67601157](#) [68645-018](#) [68648-049](#) [70.362.1628.0](#) [70-4210](#) [70-4226B](#) [70-4853B](#) [707-5020](#) [707-5028](#) [71.350.2428.0](#) [71918-208LF](#) [71961-016LF](#) [733-134](#) [733-162](#) [754199-000](#) [760-3052](#) [787-8014-00](#) [79531-3000](#)
[FCN-360C032-B](#) [FCN-367T-T012/H](#) [FCN-723D010/2](#) [80.063.4001.1](#) [800-90-001-10-001000](#) [800-90-010-10-002000](#) [801-43-002-10-013000](#)