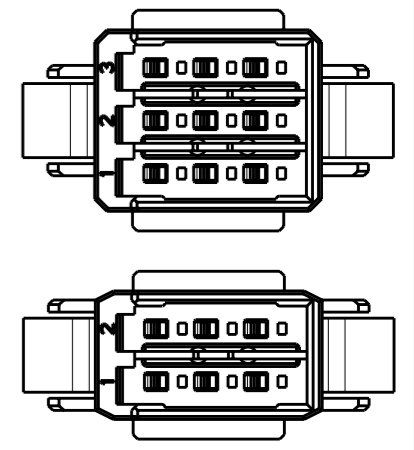
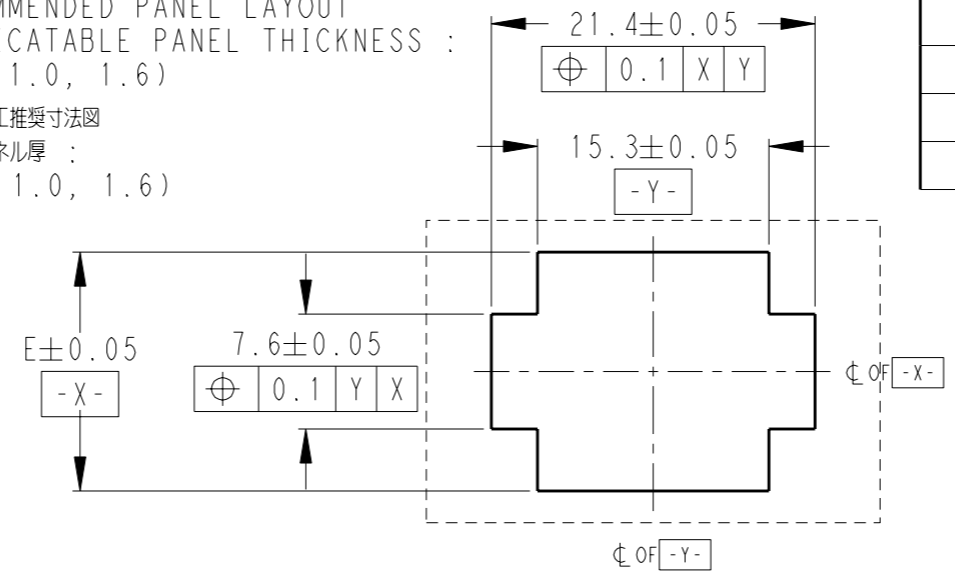
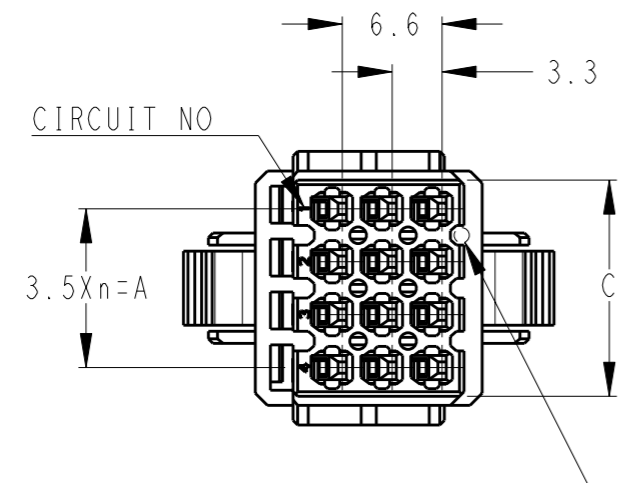


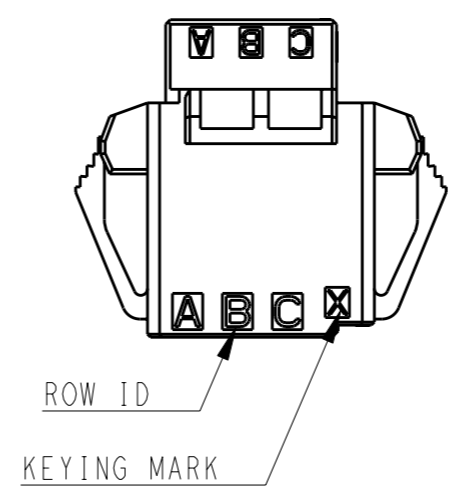
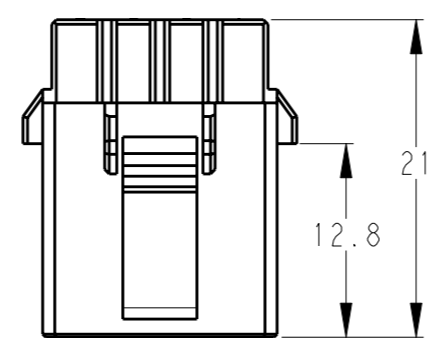
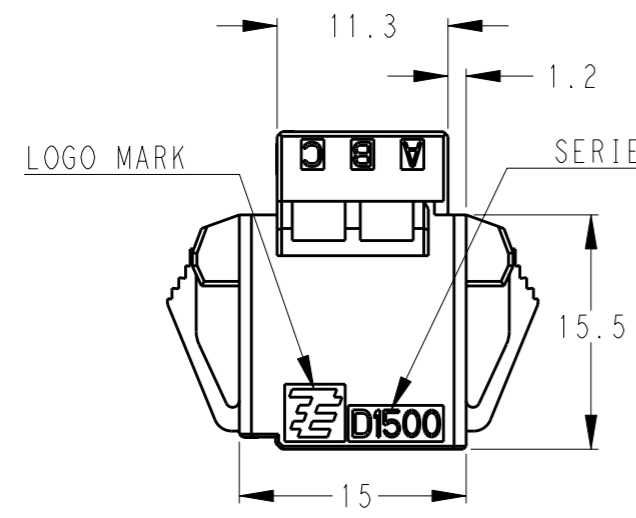
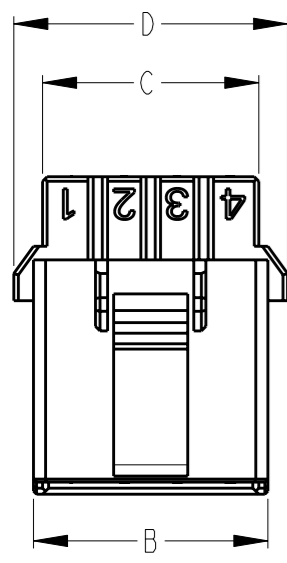
THIS DRAWING IS UNPUBLISHED. RELEASED FOR PUBLICATION 20
 © COPYRIGHT 20 ALL RIGHTS RESERVED.

LOC		DIST		REVISIONS				
P	LTR	DESCRIPTION	ECN	DATE	DWN	APVD		
J	-	B		REVISD PER ECR-11-0025202		11MAR2010	HMR	TT

RECOMMENDED PANEL LAYOUT
 (APPLICABLE PANEL THICKNESS :
 0.8, 1.0, 1.6)
 パネル加工推奨寸法図
 (適用パネル厚 :
 0.8, 1.0, 1.6)



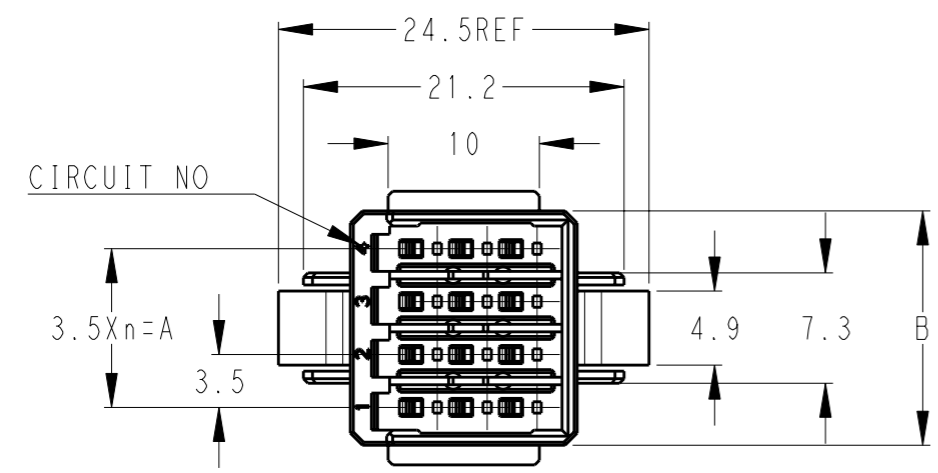
6POS(X-KEY): 1-2040404-2
 9POS(X-KEY): 1-2040404-3



- MATERIAL: GLASS FILED THERMO PLASTIC POLYESTER(94V-0), COLOR: BLACK
 - THE SHAPE, SIZE AND POSITION OF THE CHARACTER SHOW THE OUTLINE. THEY DON'T SHOW DETAILS.
1. 材料: ガラス入り熱可塑性ポリエステル樹脂(94V-0), 色: 黒
 2. 文字の形状、大きさ、および位置については、大略を示すものであり、詳細を示すものではありません。

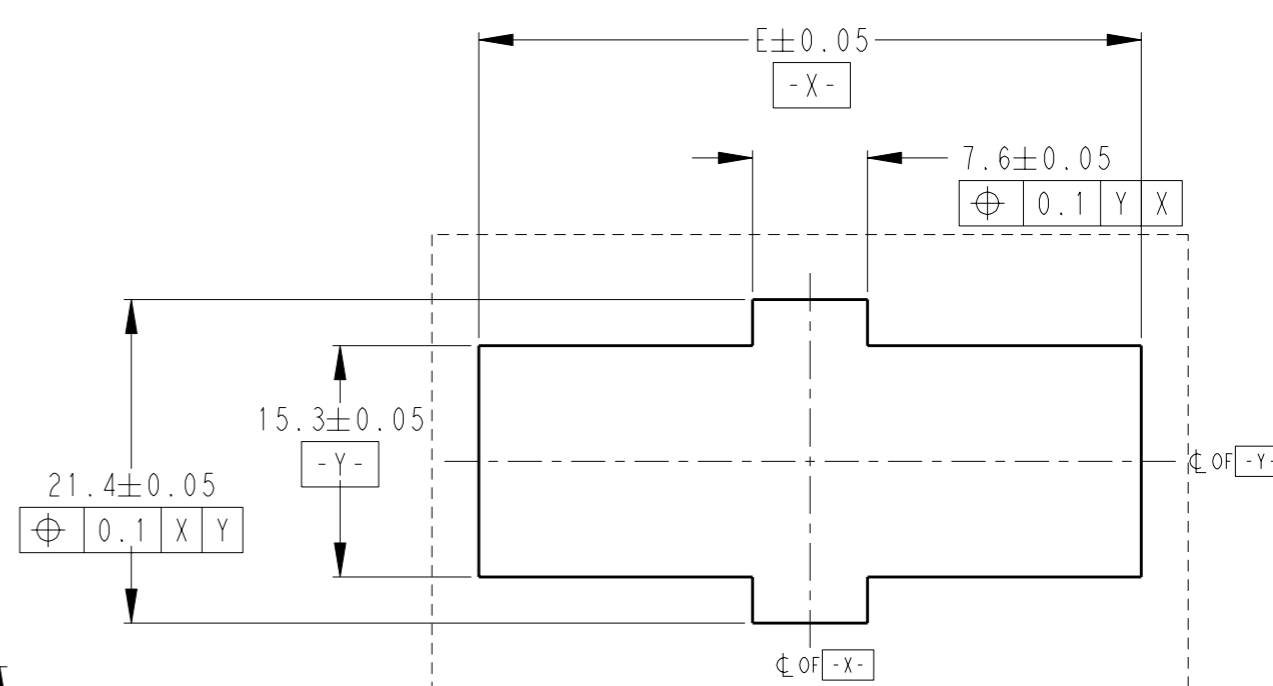
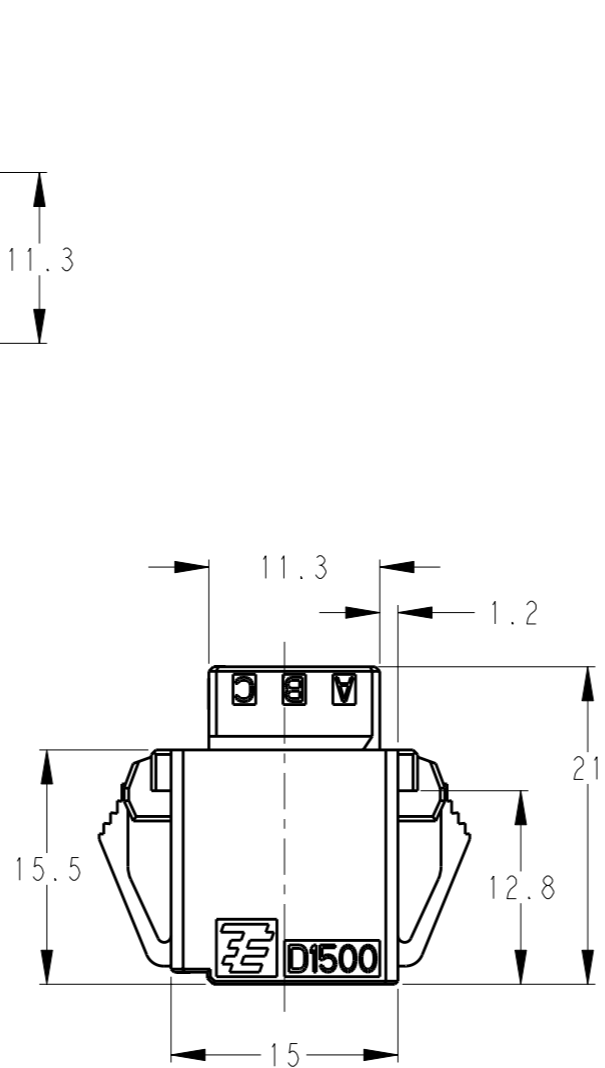
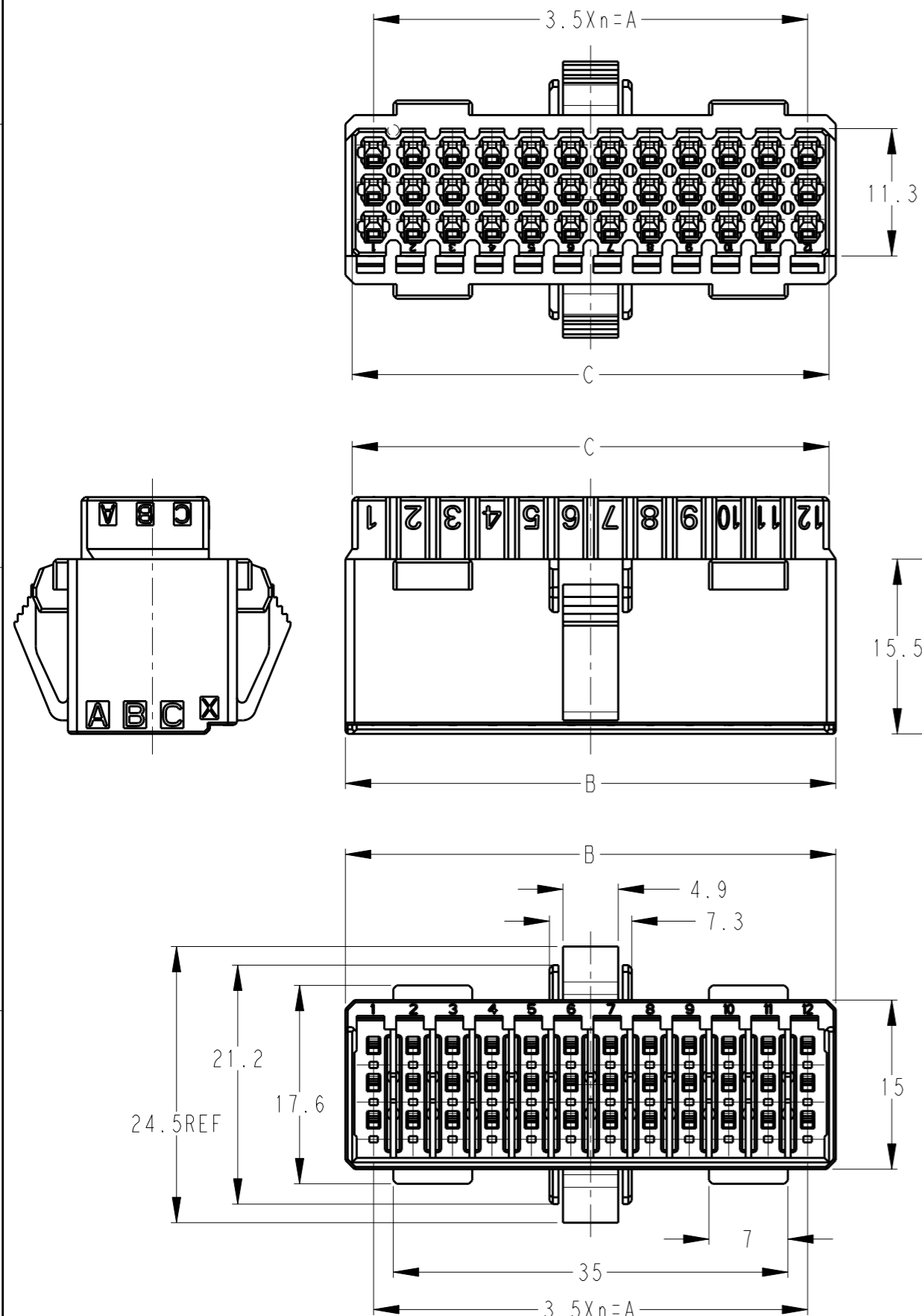
AS SHOWN 12POS(X-KEY) : 1-2040404-4

POS	KEY	n	A	B	C	D	E	PART NO
36	X	11	38.5	43.5	42.3	-	43.8	3-2040404-2
12	X	3	10.5	15.5	14.3	18.1	15.8	1-2040404-4
9	X	2	7.0	12.0	10.8	14.6	12.3	1-2040404-3
6	X	1	3.5	8.5	7.3	11.1	8.8	1-2040404-2


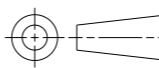


THIS DRAWING IS A CONTROLLED DOCUMENT.		DWN	07NOV2008	 TE Connectivity	NAME 名称 DYNAMIC D1500T 3.5mmPITCH TAB HSG (PANEL MOUNT TYPE) 6-36POS
DIMENSIONS: 単位: 概 mm		CHK	07NOV2008		
TOLERANCES UNLESS OTHERWISE SPECIFIED: 一般公差 ±0.3, ±5°		APVD	07NOV2008		
0-PLC ±		PRODUCT SPEC	108-78268, 78298		
1-PLC ±0.1		APPLICATION SPEC	114-5377	SIZE	A3
2-PLC ±0.02		取付適用規格		CAGE CODE	00779
3-PLC ±0.005		WEIGHT	-	DRAWING NO	C-2040404
4-PLC ±0.0005		CUSTOMER DRAWING		RESTRICTED TO	-
ANGLES ±		FINISH	仕上	SCALE	2:1
MATERIAL				SHEET	1 OF 2
材料				REV	B

LOC	DIST	REVISIONS					
		P	LTR	DESCRIPTION	DATE	DWN	APVD
J	-	-	-	SEE SHEET 1	-	-	-



RECOMMENDED PANEL LAYOUT
 (APPLICABLE PANEL THICKNESS :
 0.8, 1.0, 1.6)
 パネル加工推奨寸法図
 (適用パネル厚 :
 0.8, 1.0, 1.6)

THIS DRAWING IS A CONTROLLED DOCUMENT.		DWN	M. MAEBASHI	07NOV2008	 TE Connectivity												
DIMENSIONS: mm 		CHK	T. SAKAMOTO	07NOV2008													
		APVD	A. OISHI	07NOV2008													
TOLERANCES UNLESS OTHERWISE SPECIFIED: 0 PLC ±- 1 PLC ±0.1 2 PLC ±0.02 3 PLC ±0.005 4 PLC ±0.0005 ANGLES ±-		PRODUCT SPEC	108-78268, 78298			NAME	DYNAMIC D1500T 3.5mmPITCH TAB HSG (PANEL MOUNT TYPE) 6-36POS										
MATERIAL -		FINISH	-		APPLICATION SPEC	114-5377											
-		-		WEIGHT	-		SIZE	A3	CAGE CODE	00779	DRAWING NO	C=2040404	RESTRICTED TO	-			
CUSTOMER DRAWING										SCALE	2:1	SHEET	2	OF	2	REV	B

X-ON Electronics

Largest Supplier of Electrical and Electronic Components

Click to view similar products for [Headers & Wire Housings](#) category:

Click to view products by [TE Connectivity](#) manufacturer:

Other Similar products are found below :

[892-18-020-10-001101](#) [58102-G61-06LF](#) [582553-1](#) [0009485154](#) [009176003701906](#) [0050291907](#) [LY20-4P-DT1-P1E-BR](#) [02.125.8002.8](#)
[609-3404](#) [61062-3](#) [61082-181009](#) [622-3653LF](#) [63453-116](#) [636-1030](#) [636-1427](#) [636-3427](#) [636-4007](#) [641938-9](#) [641991-4](#) [644827-2](#) [65817-](#)
[010LF](#) [65817-015LF](#) [65863-015LF](#) [66207-023LF](#) [67095-007LF](#) [67601157](#) [68645-018](#) [68648-049](#) [70.362.1628.0](#) [70-4210](#) [70-4226B](#) [70-](#)
[4853B](#) [707-5020](#) [707-5028](#) [71.350.2428.0](#) [71918-208LF](#) [71961-016LF](#) [733-134](#) [733-162](#) [754199-000](#) [760-3052](#) [79531-3000](#) [FCN-](#)
[360C032-B](#) [FCN-367T-T012/H](#) [FCN-723D010/2](#) [80.063.4001.1](#) [800-90-001-10-001000](#) [800-90-010-10-002000](#) [801-43-002-10-013000](#)
[801-43-006-10-002000](#)