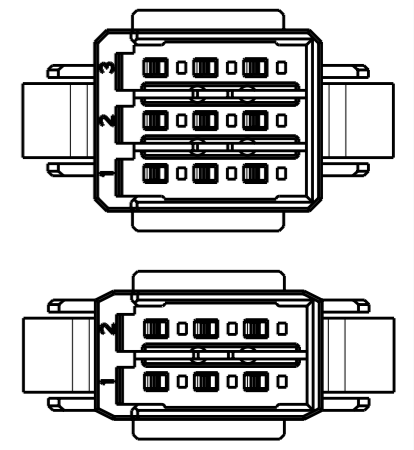
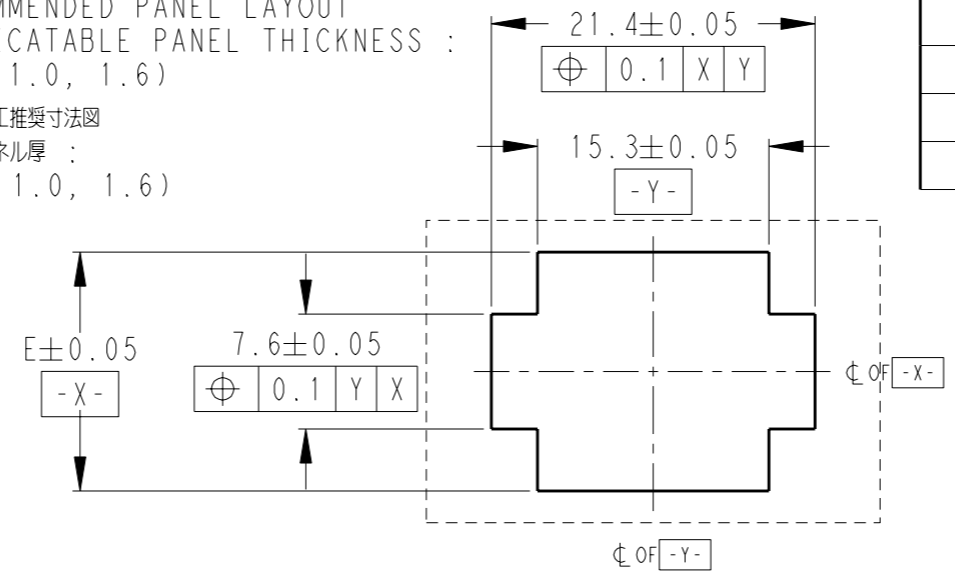
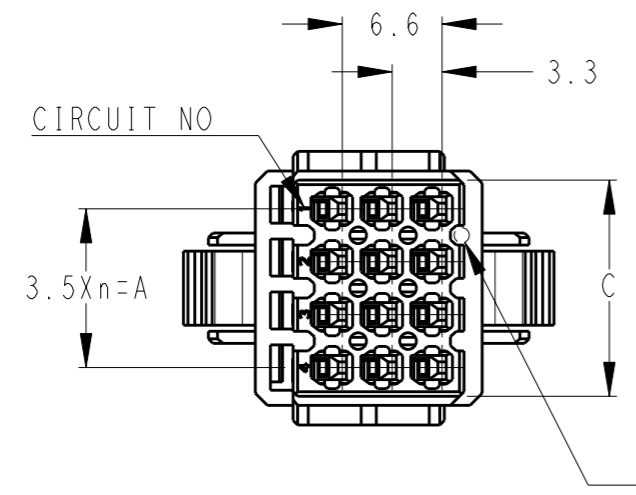


THIS DRAWING IS UNPUBLISHED. RELEASED FOR PUBLICATION 20

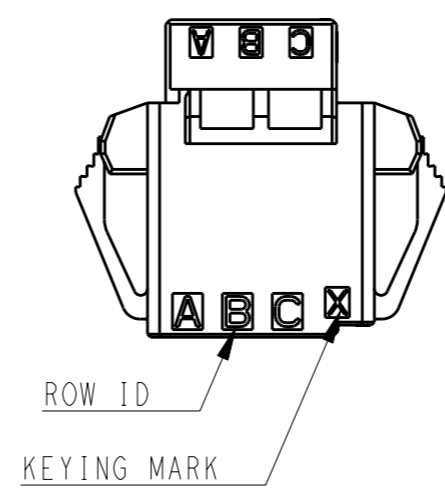
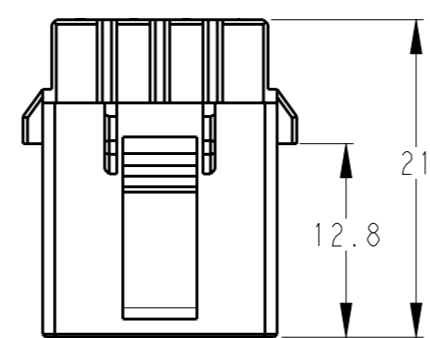
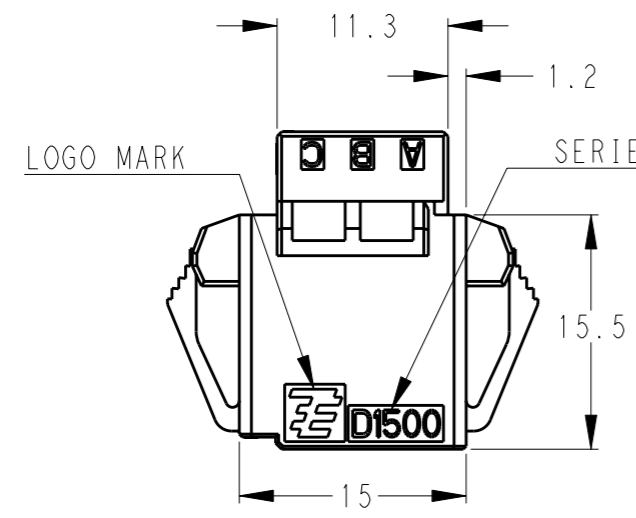
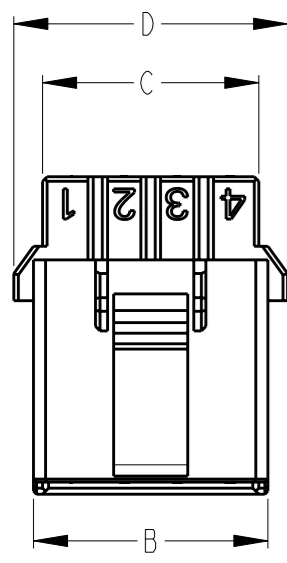
© COPYRIGHT 20 ALL RIGHTS RESERVED.

LOC		DIST		REVISIONS				
P	LTR	DESCRIPTION	ECN	DATE	DWN	APVD		
J	-	B		REVISD PER ECR-11-0025202		11MAR2010	HMR	TT

RECOMMENDED PANEL LAYOUT
 (APPLICABLE PANEL THICKNESS :
 0.8, 1.0, 1.6)
 パネル加工推奨寸法図
 (適用パネル厚 :
 0.8, 1.0, 1.6)



6POS(X-KEY): 1-2040404-2
 9POS(X-KEY): 1-2040404-3

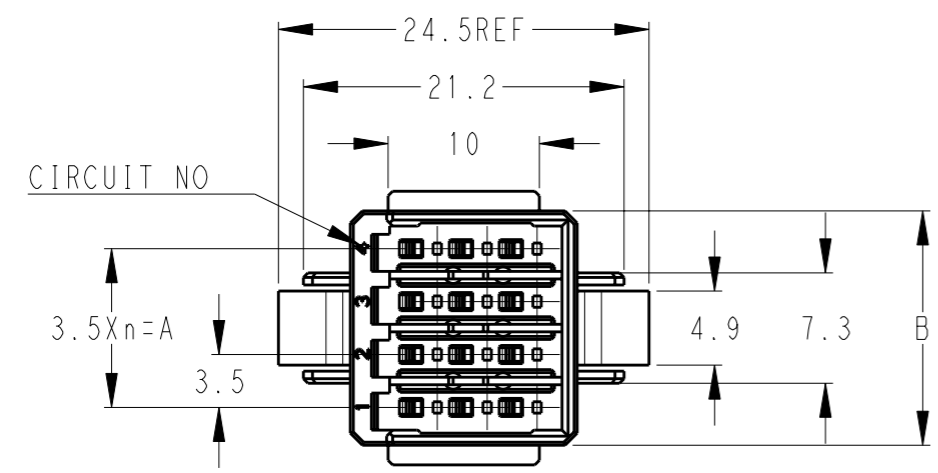


1. MATERIAL: GLASS FILLED THERMO PLASTIC POLYESTER(94V-0), COLOR: BLACK
 2. THE SHAPE, SIZE AND POSITION OF THE CHARACTER SHOW THE OUTLINE. THEY DON'T SHOW DETAILS.

1. 材料: ガラス入り熱可塑性ポリエステル樹脂(94V-0), 色: 黒
 2. 文字の形状、大きさ、および位置については、大略を示すものであり、詳細を示すものではありません。

AS SHOWN 12POS(X-KEY) : 1-2040404-4

POS	KEY	n	A	B	C	D	E	PART NO
36	X	11	38.5	43.5	42.3	-	43.8	3-2040404-2
12	X	3	10.5	15.5	14.3	18.1	15.8	1-2040404-4
9	X	2	7.0	12.0	10.8	14.6	12.3	1-2040404-3
6	X	1	3.5	8.5	7.3	11.1	8.8	1-2040404-2



THIS DRAWING IS A CONTROLLED DOCUMENT.		DWN	07NOV2008
		M. MAEBASHI	
		CHK	07NOV2008
		T. SAKAMOTO	
		APVD	07NOV2008
		A. OISHI	
DIMENSIONS: 単位: 概 mm		PRODUCT SPEC	108-78268, 78298
TOLERANCES UNLESS OTHERWISE SPECIFIED:		APPLICATION SPEC	114-5377
一般公差 ±0.3, ±5°		WEIGHT	-
0-PLC ±		CUSTOMER DRAWING	
1-PLC ±0.1		SCALE	2:1
2-PLC ±0.02		SHEET	1 OF 2
3-PLC ±0.005		REV	B
4-PLC ±0.0005			
ANGLES ±			
MATERIAL 材料	FINISH 仕上		

STE TE Connectivity

NAME 名称: DYNAMIC D1500T 3.5mm PITCH TAB HSG (PANEL MOUNT TYPE) 6-36POS

SIZE: A3 CAGE CODE: 00779 DRAWING NO: 2040404 RESTRICTED TO: -

THIS DRAWING IS UNPUBLISHED.

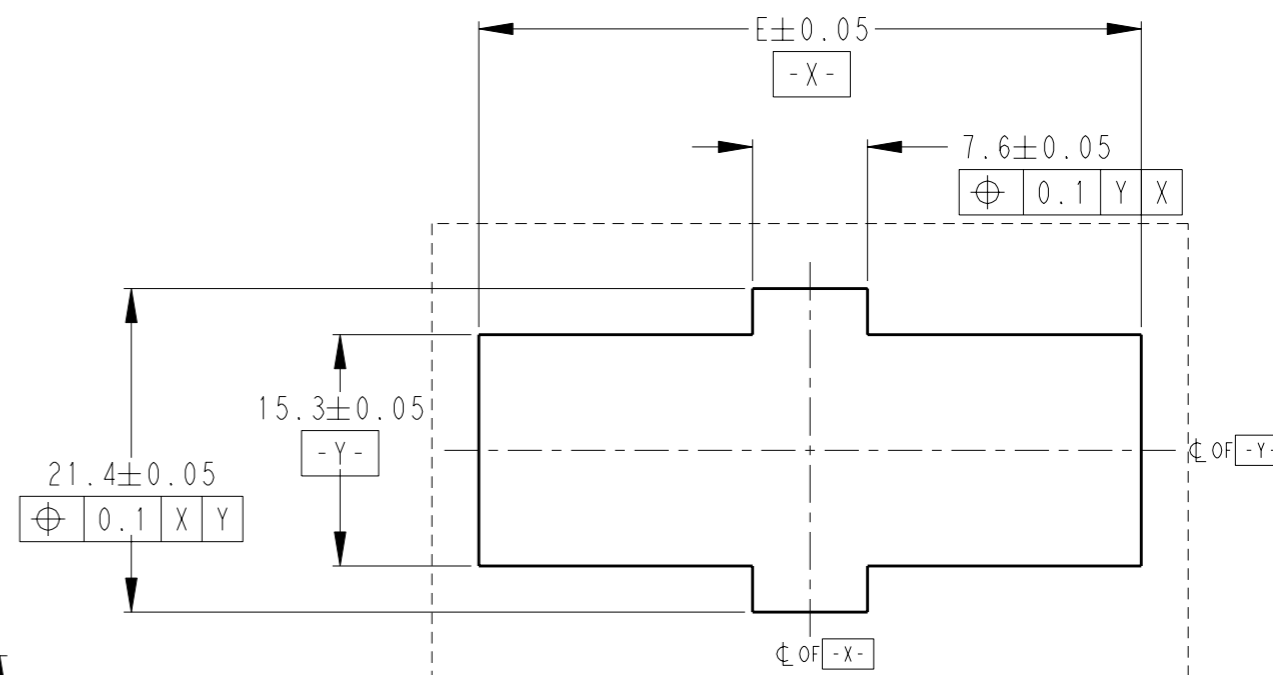
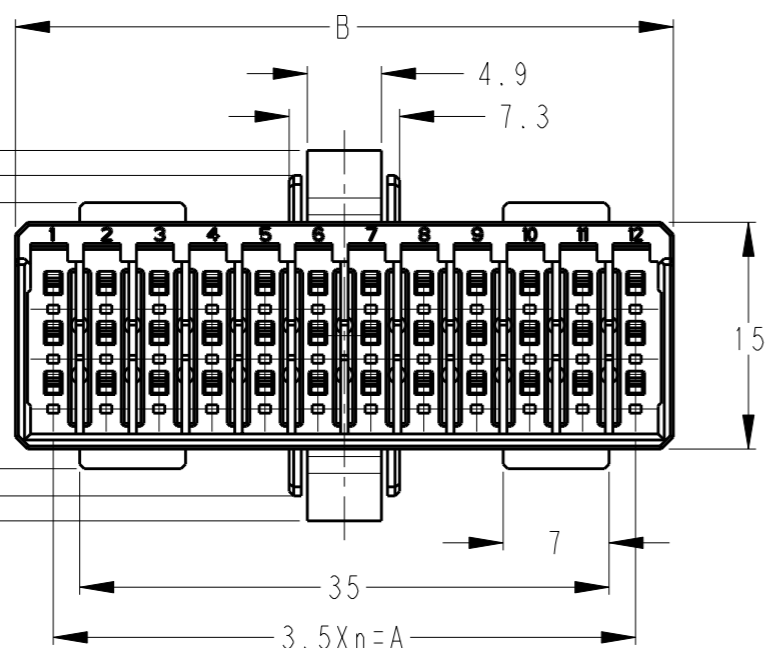
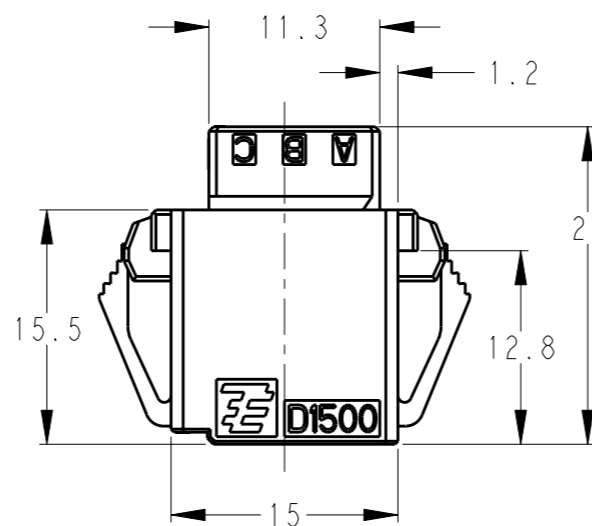
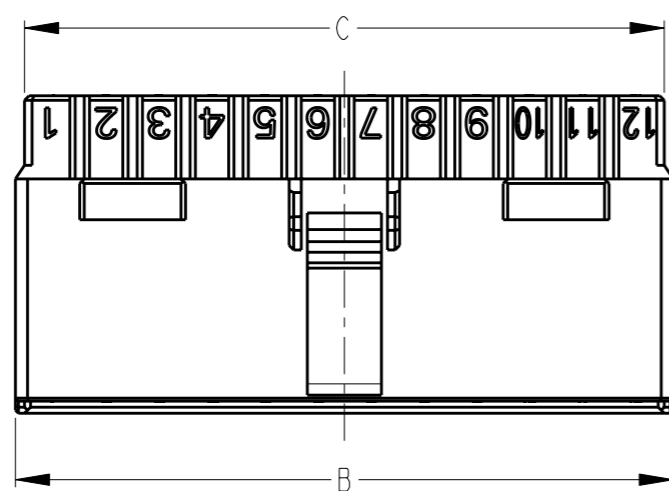
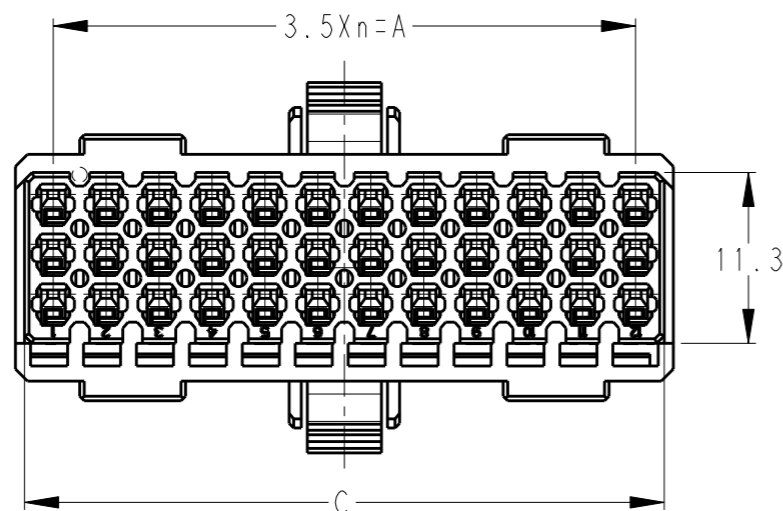
RELEASED FOR PUBLICATION

20


© COPYRIGHT 20

ALL RIGHTS RESERVED.

LOC	DIST	REVISIONS					
		P	LTR	DESCRIPTION	DATE	DWN	APVD
J	-	-	-	SEE SHEET 1	-	-	-



RECOMMENDED PANEL LAYOUT
 (APPLICABLE PANEL THICKNESS :
 0.8, 1.0, 1.6)
 パネル加工推奨寸法図
 (適用パネル厚 :
 0.8, 1.0, 1.6)

THIS DRAWING IS A CONTROLLED DOCUMENT.		DWN	M. MAEBASHI	07NOV2008	 TE Connectivity		
DIMENSIONS: mm		CHK	T. SAKAMOTO	07NOV2008			
TOLERANCES UNLESS OTHERWISE SPECIFIED:		APVD	A. OISHI	07NOV2008			
0 PLC ±- 1 PLC ±0.1 2 PLC ±0.02 3 PLC ±0.005 4 PLC ±0.0005 ANGLES ±-		PRODUCT SPEC	108-78268, 78298				
MATERIAL -		FINISH -	114-5377		NAME	DYNAMIC D1500T 3.5mmPITCH TAB HSG (PANEL MOUNT TYPE) 6-36POS	
CUSTOMER DRAWING		SCALE	2:1	SHEET	2 OF 2	RESTRICTED TO	-

X-ON Electronics

Largest Supplier of Electrical and Electronic Components

Click to view similar products for [Headers & Wire Housings](#) category:

Click to view products by [TE Connectivity](#) manufacturer:

Other Similar products are found below :

[892-18-020-10-001101](#) [58102-G61-06LF](#) [582553-1](#) [0009485154](#) [009176003701906](#) [0050291907](#) [LY20-4P-DT1-P1E-BR](#) [02.125.8002.8](#)
[609-3404](#) [61062-3](#) [61082-181009](#) [622-3653LF](#) [63453-116](#) [636-1030](#) [636-1427](#) [636-3427](#) [636-4007](#) [641938-9](#) [641991-4](#) [644827-2](#) [65817-](#)
[010LF](#) [65817-015LF](#) [65863-015LF](#) [66207-023LF](#) [67095-007LF](#) [67601157](#) [68645-018](#) [68648-049](#) [70.362.1628.0](#) [70-4210](#) [70-4226B](#) [70-](#)
[4853B](#) [707-5020](#) [707-5028](#) [71.350.2428.0](#) [71918-208LF](#) [71961-016LF](#) [733-134](#) [733-162](#) [754199-000](#) [760-3052](#) [787-8014-00](#) [79531-3000](#)
[FCN-360C032-B](#) [FCN-367T-T012/H](#) [FCN-723D010/2](#) [80.063.4001.1](#) [800-90-001-10-001000](#) [800-90-010-10-002000](#) [801-43-002-10-013000](#)