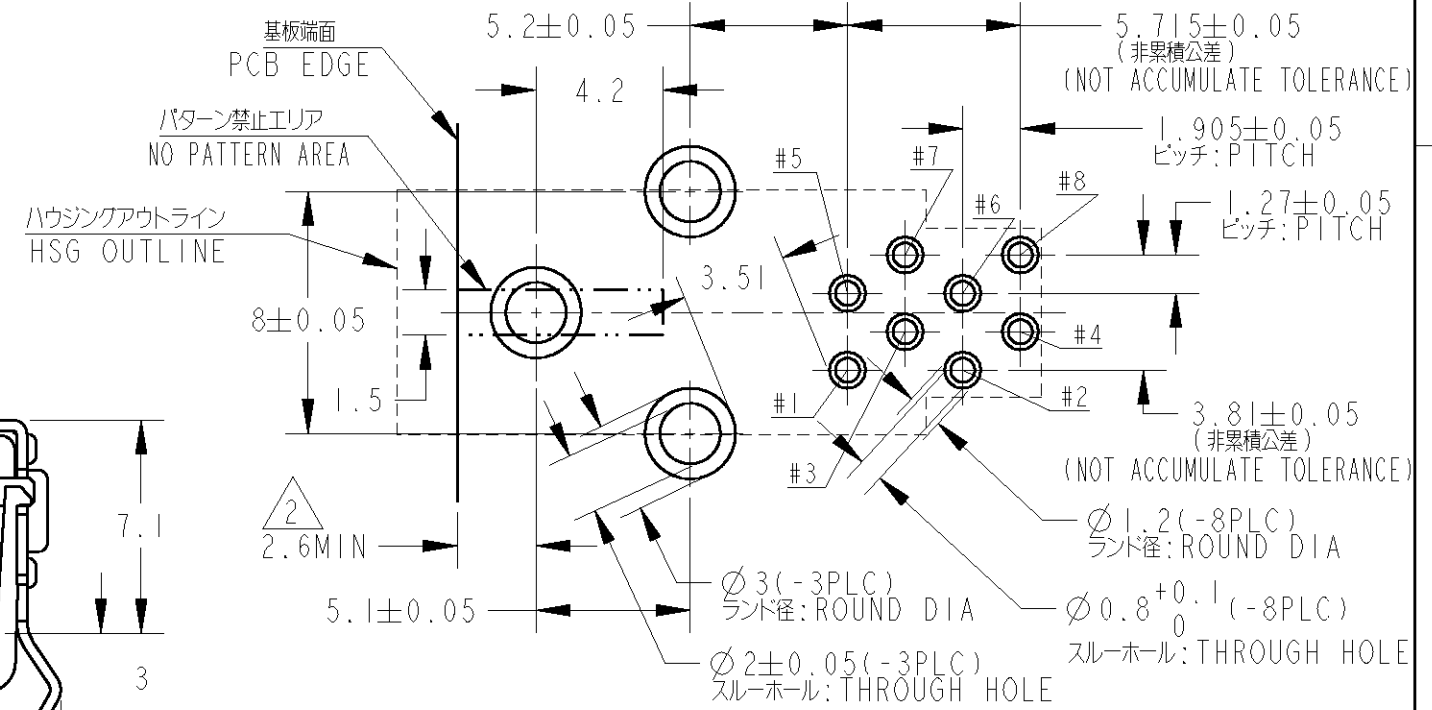
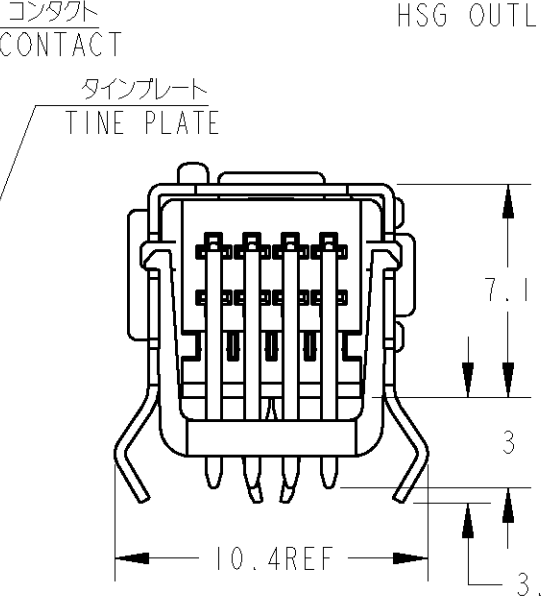
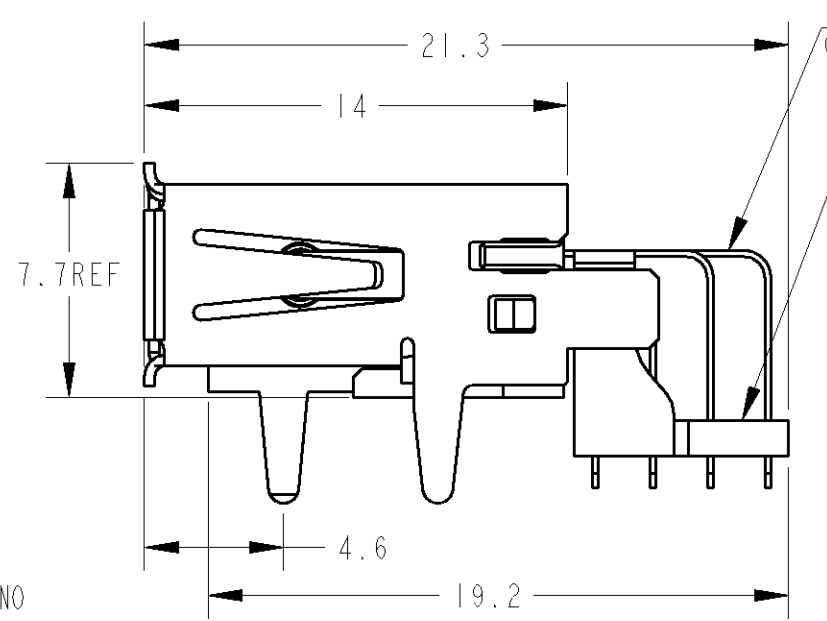
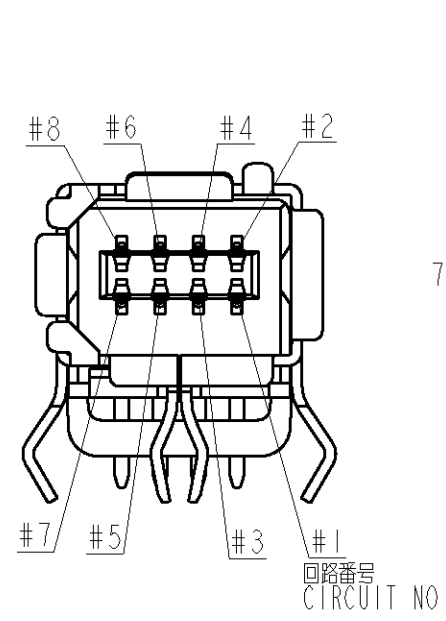
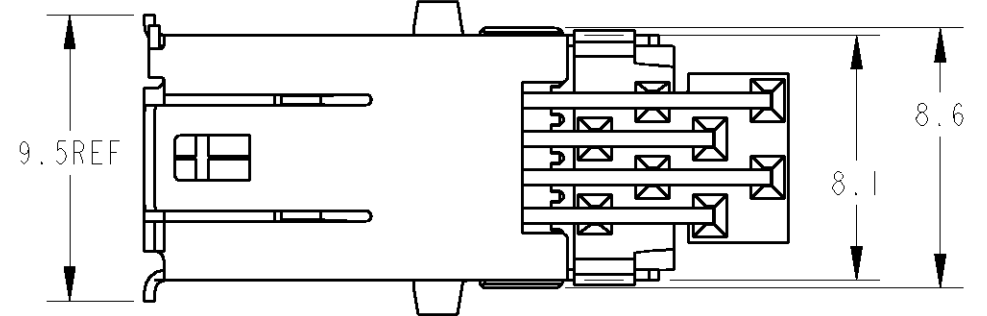
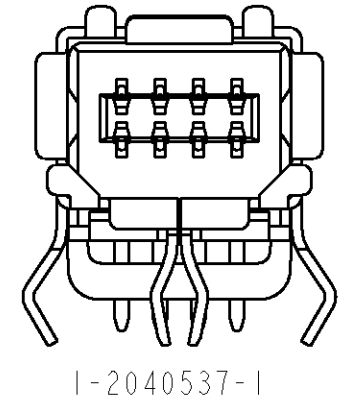
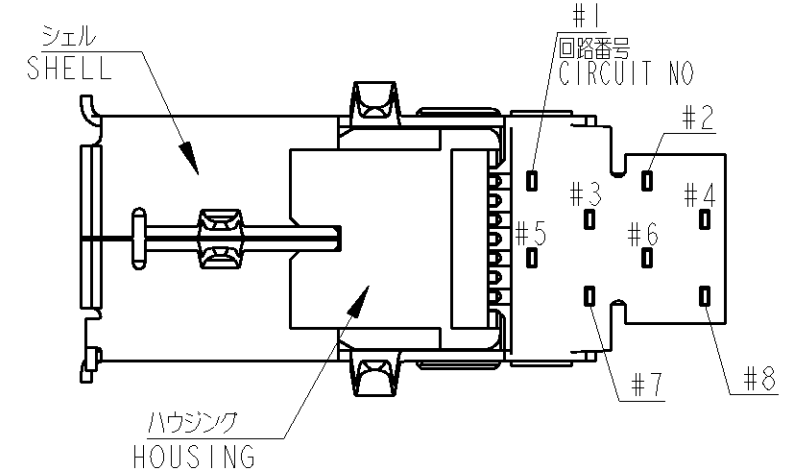


THIS DRAWING IS UNPUBLISHED. RELEASED FOR PUBLICATION 20
 © COPYRIGHT 20 BY TYCO ELECTRONICS CORPORATION. ALL RIGHTS RESERVED.

LOC	DIST	REVISIONS					
		P	LTR	DESCRIPTION	DATE	DWN	APVD
J	-		A	RELEASED	14JUL2008	M.M	I.H



推奨基板寸法 (実装面側) ±1.6
 RECOMMENDED BOARD DIMENSION (CONNECTOR SIDE) ±1.6



1. MATERIAL AND FINISH
 CONTACT
 COPPER ALLOY
 UNDER ALL SURFACE NICKEL 1.27µm MIN
 TOP CONTACT AREA : GOLD 0.5µm MIN
 SOLDERING AREA : TIN PLATE
 HOUSING
 THERMO PLASTIC (UL94V-0)
 SHELL
 COPPER ALLOY
 UNDER ALL SURFACE NICKEL
 TOP ALL SURFACE TIN

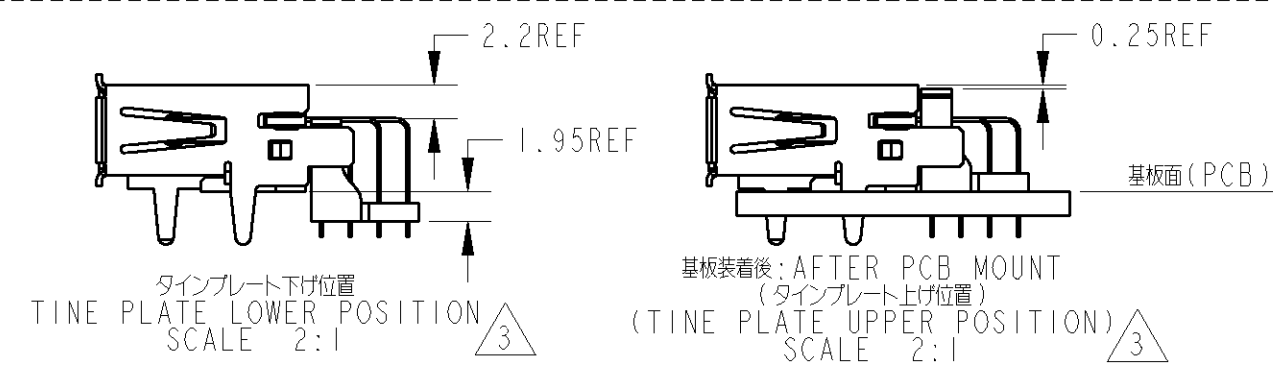
1. 材料及仕上げ
 コントラクト
 材料: 銅合金
 全面ニッケル下地めっき 1.27µmMIN
 接点部: 金めっき 0.5µmMIN
 半田付け部: 錫めっき
 ハウジング
 材料: 熱可塑性樹脂 (難燃性UL94V-0)
 シェル
 材料: 銅合金
 全面ニッケル下地めっき
 全面錫めっき

2. DIMENSION DECIDED BY CUSTOMER.
 3. TINE PLATE CAN MOVE UP AND DOWN.

2. 顧客決定寸法
 3. タインプレートは可動式

AS SHOWN AS : 2040537-1

8	D-SHAPE TYPE-II	1-2040537-1
8	D-SHAPE TYPE-I	2040537-1
POS	DESCRIPTION	PART NO



THIS DRAWING IS A CONTROLLED DOCUMENT FOR TYCO ELECTRONICS CORPORATION. IT IS SUBJECT TO CHANGE AND THE CONTROLLING ENGINEERING ORGANIZATION SHOULD BE CONTACTED FOR THE LATEST REVISION.

DWN	M. MAEBASHI	14JUL2008
CHK	I. HASEGAWA	14JUL2008
APVD	I. HASEGAWA	14JUL2008
PRODUCT SPEC	108-78405	
APPLICATION SPEC		
WEIGHT	-	

INDUSTRIAL MINI I/O CONN
 1.27mm PITCH
 HDR ASSY (DIP/H-TYPE) 8POS

SIZE	A3	CAGE CODE	00779	DRAWING NO	2040537	RESTRICTED TO	-
------	----	-----------	-------	------------	---------	---------------	---

CUSTOMER DRAWING SCALE 4:1 SHEET 1 OF 1 REV A

X-ON Electronics

Largest Supplier of Electrical and Electronic Components

Click to view similar products for [Modular Connectors / Ethernet Connectors](#) category:

Click to view products by [TE Connectivity](#) manufacturer:

Other Similar products are found below :

[8949-H88/06BLKA/SN](#) [74441-0010/BKN](#) [MP1010RX-1000](#) [MP44RX-1000](#) [PHJ-4P4C-1-V-4](#) [PHP-6P6C-5](#) [GAX-3-66](#) [GAX-8-62](#) [GDCX-PA-66-50](#) [GDCX-PN-64](#) [GDCX-PN-66](#) [GDCX-PN-66-50](#) [GDLX-A-66](#) [GDLX-N-66](#) [GDLX-S-66](#) [GDLX-S-88K](#) [GDTX-S-88-50](#) [GDX-PA-1010](#) [GLX-N-1010M-BLK](#) [GLX-S-88M-BLK](#) [GMX-N-1010](#) [GMX-S-1010](#) [GMX-S-66](#) [GMX-SMT4-N-88](#) [GPX-2-64](#) [GSGX-N-2-88](#) [GSGX-N-4-88](#) [GSX-NS2-88-3.05](#) [GSX-NS2-88-3.05-50](#) [GSX-NS-88-3.05-50](#) [PT-108A-8C-UL](#) [PT-J951-8C](#) [PTS-J531-8CS-50UL](#) [1-1775629-2](#) [A-2014-0-4](#) [GWLX-S-88-GR](#) [GWLX-S9-88-YG](#) [DC-1021-8-WH-6](#) [1300530003](#) [1324640-4](#) [RJ11FTVC2G](#) [RJ11FTVC2N](#) [RJFTVX2SA1G](#) [132764-001](#) [1413235](#) [MP88X-1000](#) [MPS88RX-5000](#) [E5288-S000K3-L](#) [E5908-15A242-L](#) [155302-001](#)