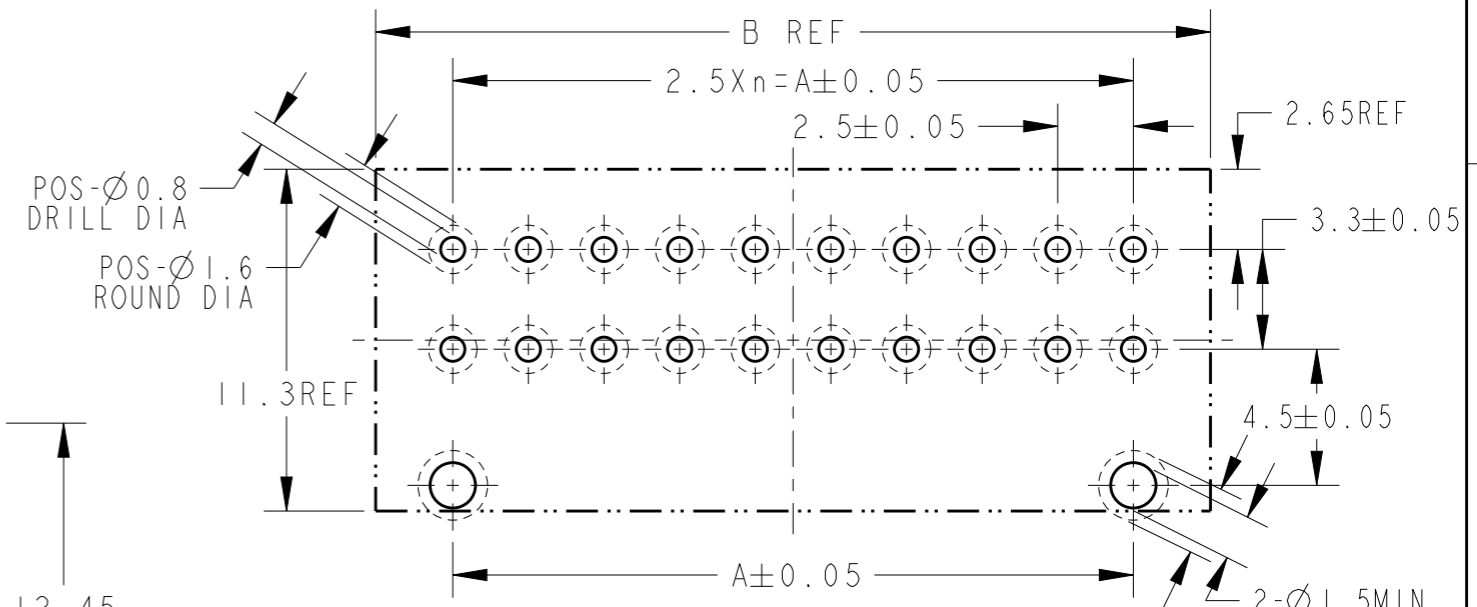
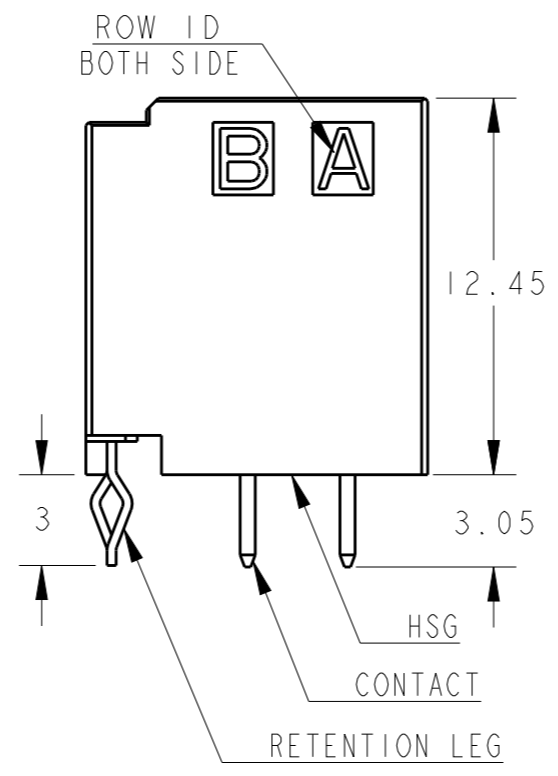
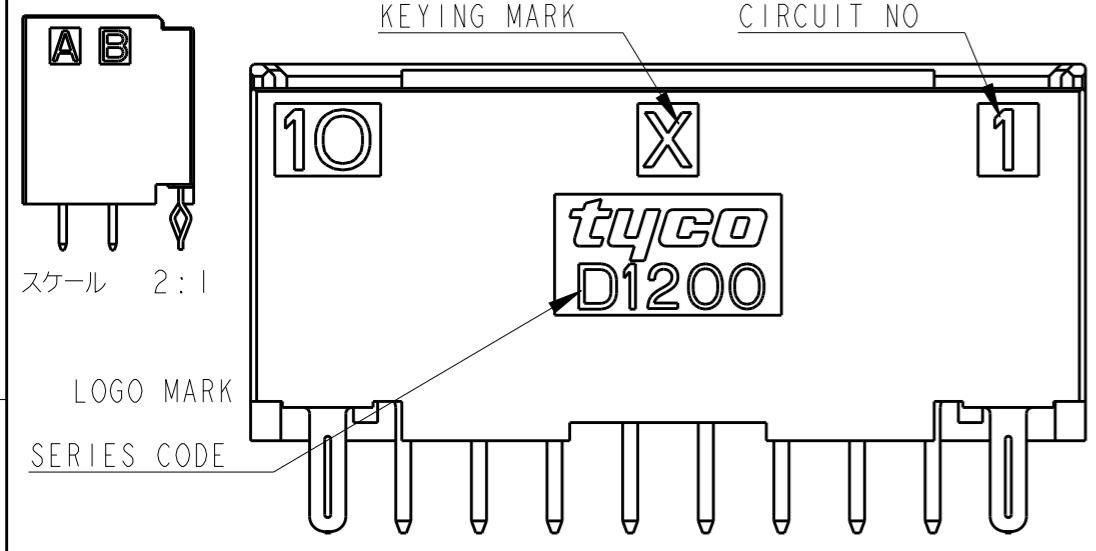
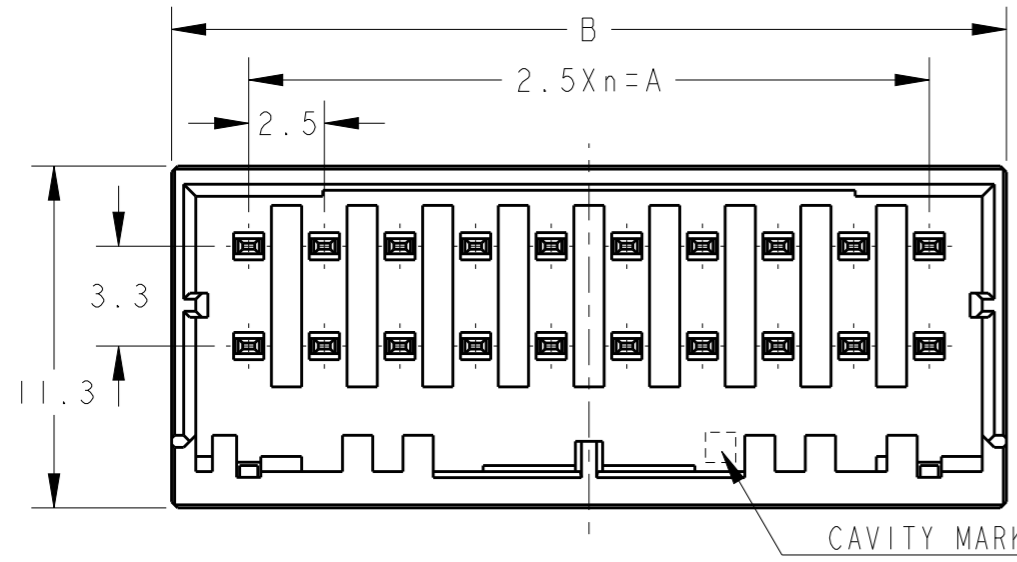
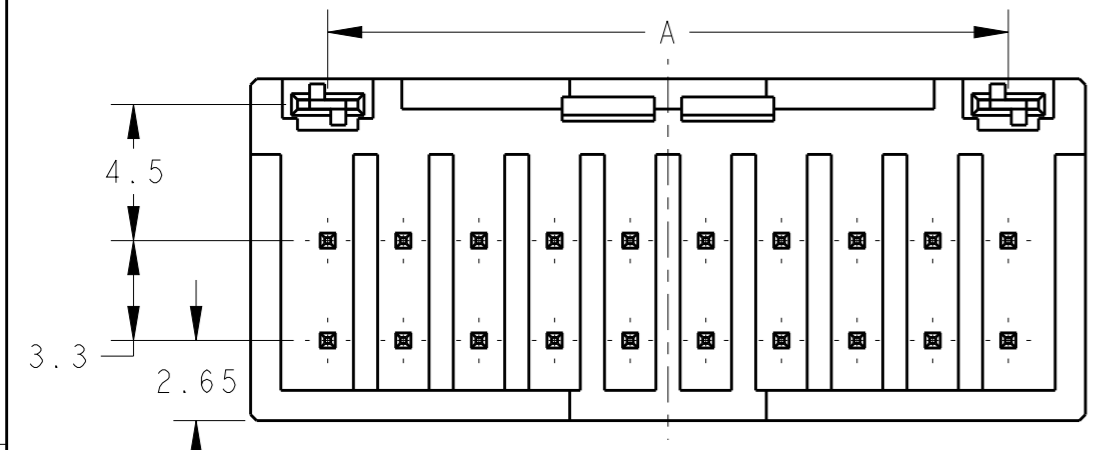


THIS DRAWING IS UNPUBLISHED. RELEASED FOR PUBLICATION 20
 © COPYRIGHT 20 BY Tyco Electronics Japan G.K. ALL RIGHTS RESERVED.

LOC	DIST	REVISIONS					
		P	LTR	DESCRIPTION	DATE	DWN	APVD
J	-		C	REVISED	18DEC2012	H.M	N.Y



RECOMMEND PC BOARD HOLE PATTERN : CONNECTOR MOUNT SIDE (NOT ACCUMULATE TOLERANCE)
 PC BOARD THICKNESS : 1.0~1.6±0.1
 推奨基板取付穴寸法 : コネクタ搭載面 (非累積公差)
 PC基板厚 : 1.0~1.6±0.1



△. 材料 : ハウジング : ガラス入り熱可塑性ポリエステル樹脂 (94V-0)、色 : 黒
 コンタクト : 錫めっき済銅合金
 リテンションレグ : 錫めっき済銅合金
 2. 文字の形状、大きさ、および位置については、大略を示すものであり、詳細を示すものではありません。

△. MATERIAL : HOUSING : GLASS FILED THERMO PLASTIC POLYESTER (94V-0), COLOR : BLACK
 CONTACT : PRE-TIN COPPER ALLOY
 RETENTION LEG : PRE-TIN COPPER ALLOY
 2. THE SHAPE, SIZE AND POSITION OF THE CHARACTER SHOW THE OUTLINE. THEY DON'T SHOW DETAILS.

AS SHOWN : 20POS (X-KEY)

12	X	5	12.5	17.6	1-2040558-6
10	X	4	10.0	15.1	1-2040558-5
6	X	2	5.0	10.1	1-2040558-3
4	X	1	2.5	7.6	1-2040558-2
POS	KEY	n	A	B	PART NO

THIS DRAWING IS A CONTROLLED DOCUMENT.		DWN M. MAEBASHI 13MAY2008	TE Connectivity	
DIMENSIONS: 単位: 概 mm		CHK T. KUDO 13MAY2008		
TOLERANCES UNLESS OTHERWISE SPECIFIED: 一般公差 ±0.3, ±5°		APVD S. MANABE 13MAY2008	NAME 名称 DYNAMIC D1200D 2.5mmPITCH HDR ASSY (V-TYPE) TIN PLATE 4-20POS	
		PRODUCT SPEC 製品規格 108-78298	SIZE A300779	
		APPLICATION SPEC 取付適用規格 114-5377	DRAWING NO 番号 C-2040558	
MATERIAL 材料		FINISH 仕上	RESTRICTED TO	
		WEIGHT	SCALE 尺度 4:1	
		CUSTOMER DRAWING	SHEET 1 OF 2 REV C	

4

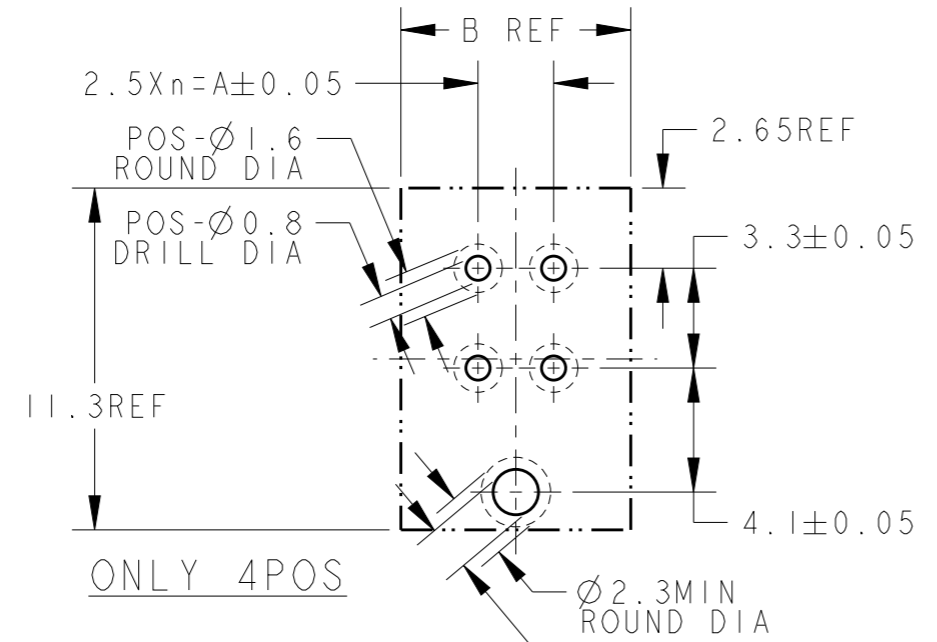
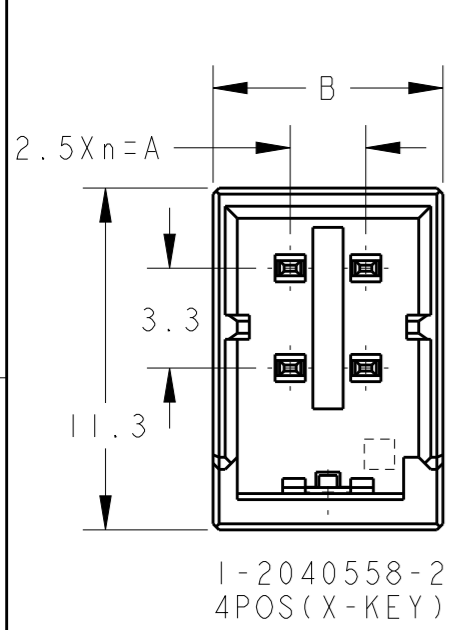
3

2

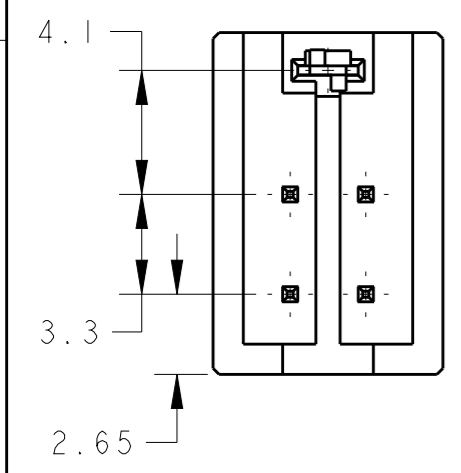
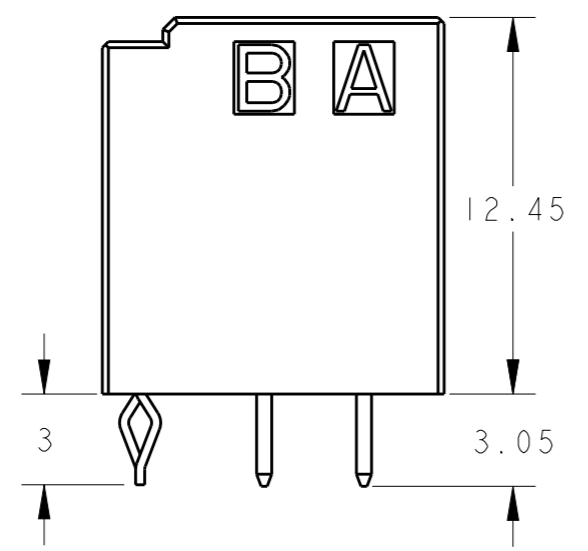
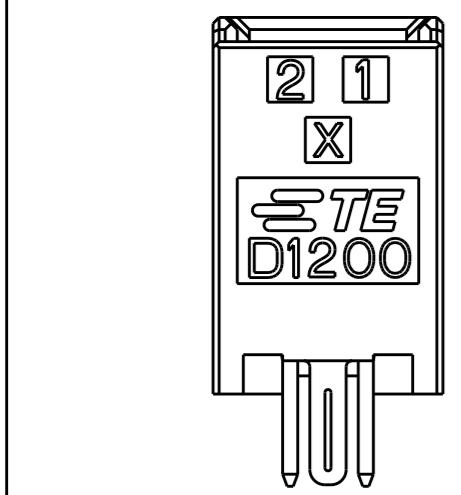
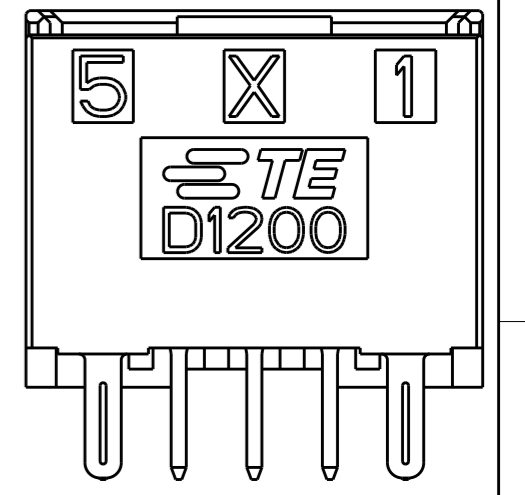
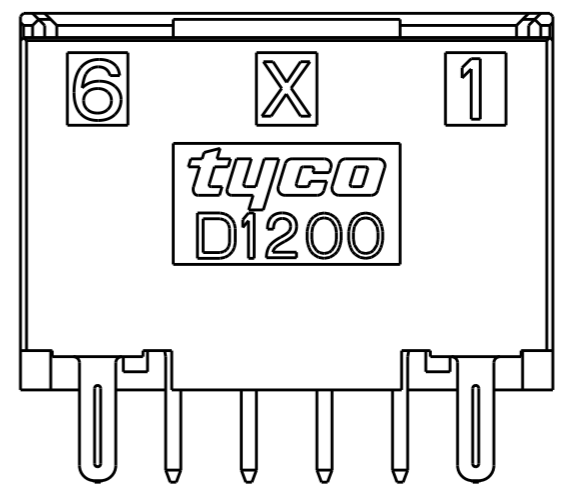
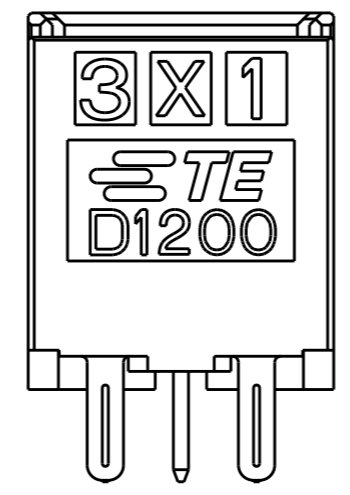
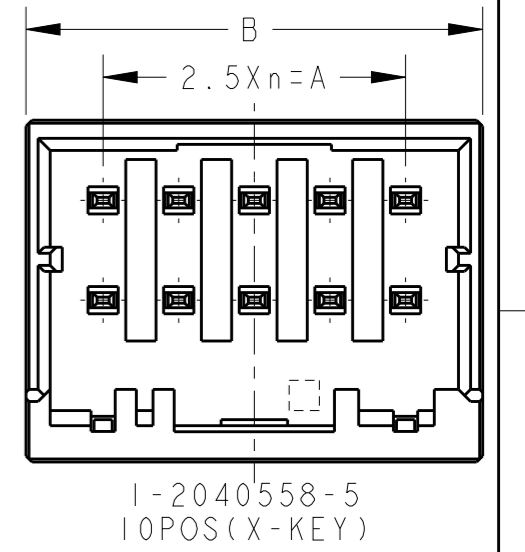
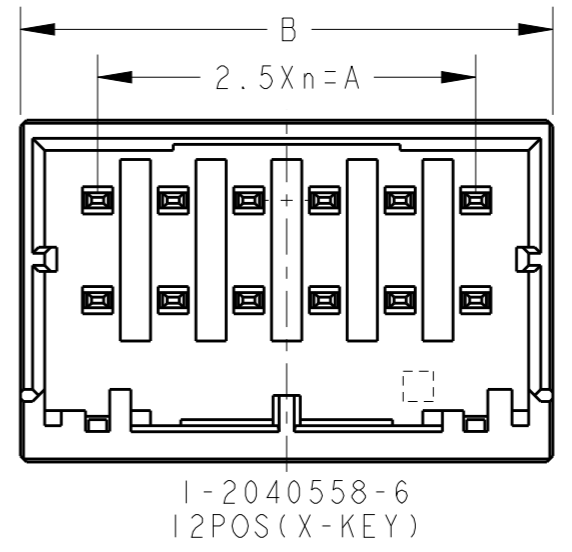
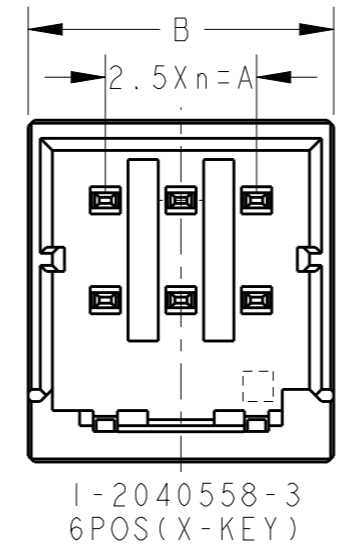
1

THIS DRAWING IS UNPUBLISHED. RELEASED FOR PUBLICATION 20
 © COPYRIGHT 20 BY Tyco Electronics Japan G.K. ALL RIGHTS RESERVED.

LOC	DIST	REVISIONS				
P	LTR	DESCRIPTION	DATE	DWN	APVD	
J	-	SEE SHEET 1 OF 2				



推奨基板取付穴寸法 : コネクタ搭載面(非累積公差)
 PC基板厚 : 1.0~1.6±0.1
 RECOMMEND PC BOARD HOLE PATTERN : CONNECTOR MOUNT SIDE
 (NOT ACCUMULATE TOLERANCE)
 PC BOARD THICKNESS : 1.0~1.6±0.1



THIS DRAWING IS A CONTROLLED DOCUMENT.

DIMENSIONS:	TOLERANCES UNLESS OTHERWISE SPECIFIED:
mm	0 PLC ±
	1 PLC ±
	2 PLC ±
	3 PLC ±
	4 PLC ±
	ANGLES ±
MATERIAL	FINISH -

SEE SHEET 1 OF 2

DWN	M. MAEBASHI	13MAY2008
CHK	T. KUDO	13MAY2008
APVD	S. MANABE	13MAY2008
PRODUCT SPEC	108-78298	
APPLICATION SPEC	114-5377	
WEIGHT	-	
CUSTOMER DRAWING		

		TE Connectivity	
		NAME	
DYNAMIC D1200D 2.5mmPITCH HDR ASSY (V-TYPE) TIN PLATE 4-20POS		SIZE	RESTRICTED TO
A3	00779	C=2040558	
SCALE	2:1	SHEET	2 OF 2
REV	C		

X-ON Electronics

Largest Supplier of Electrical and Electronic Components

Click to view similar products for [Headers & Wire Housings](#) category:

Click to view products by [TE Connectivity](#) manufacturer:

Other Similar products are found below :

[892-18-020-10-001101](#) [58102-G61-06LF](#) [582553-1](#) [0009485154](#) [009176003701906](#) [0050291907](#) [LY20-4P-DT1-P1E-BR](#) [02.125.8002.8](#)
[609-3404](#) [61062-3](#) [61082-181009](#) [622-3653LF](#) [63453-116](#) [636-1030](#) [636-1427](#) [636-3427](#) [636-4007](#) [641938-9](#) [641991-4](#) [644827-2](#) [65817-](#)
[010LF](#) [65817-015LF](#) [65863-015LF](#) [66207-023LF](#) [67095-007LF](#) [67601157](#) [68645-018](#) [68648-049](#) [70.362.1628.0](#) [70-4210](#) [70-4226B](#) [70-](#)
[4853B](#) [707-5020](#) [707-5028](#) [71.350.2428.0](#) [71918-208LF](#) [71961-016LF](#) [733-134](#) [733-162](#) [754199-000](#) [760-3052](#) [787-8014-00](#) [79531-3000](#)
[FCN-360C032-B](#) [FCN-367T-T012/H](#) [FCN-723D010/2](#) [80.063.4001.1](#) [800-90-001-10-001000](#) [800-90-010-10-002000](#) [801-43-002-10-013000](#)