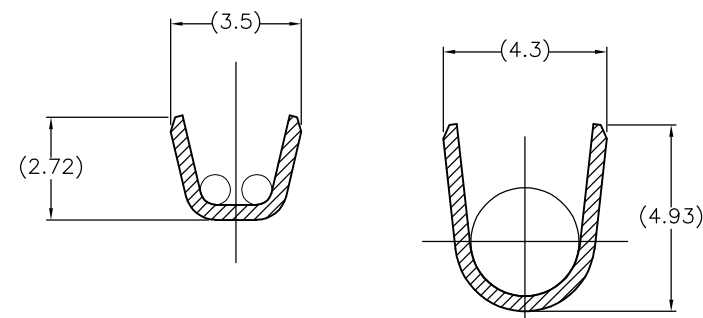
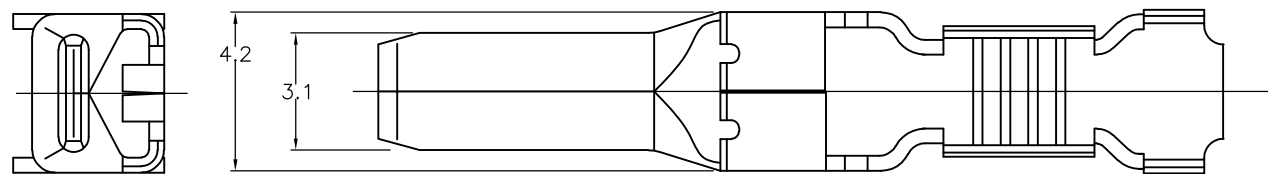
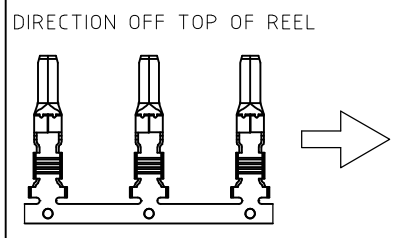


THIS DRAWING IS UNPUBLISHED. RELEASED FOR PUBLICATION

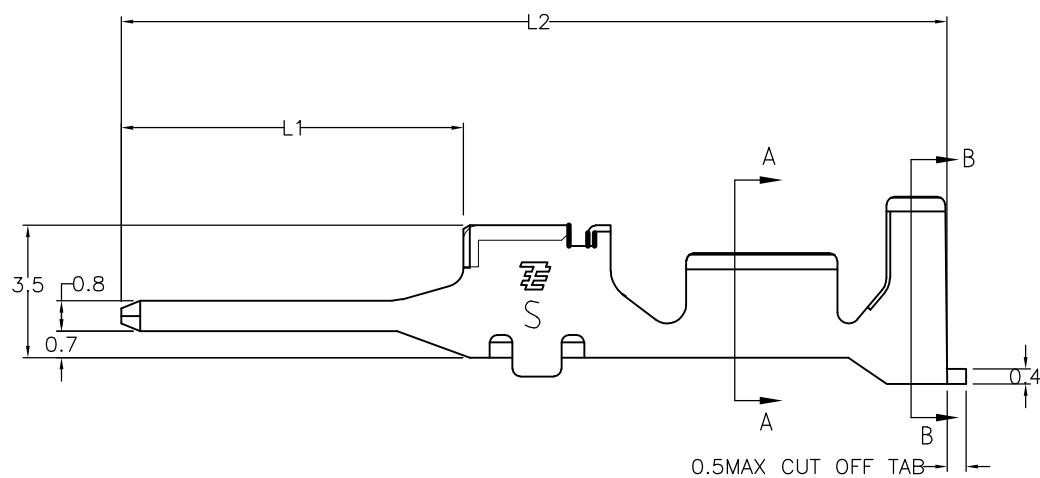
© COPYRIGHT BY TYCO ELECTRONICS CORPORATION. ALL INTERNATIONAL RIGHTS RESERVED.

LOC	DIST	REVISIONS					
J	—	P	LTR	DESCRIPTION	DATE	DWN	APVD
			B	REVISED PER ECR-10-010449	12JUL10	HMR	TM



断面 A-A
SECTA-A

断面 B-B
SECTB-B



- 注)
- 1.一般公差: ±0.25
 - 2.材料: 銅合金全面Niめっき 1.3μm 以上
接点部金めっき 0.38μm 以上めっき
 - 3.適用電線: AWG#20-#16 (被覆外径 Φ1.8~Φ3.23)

- NOTES)
- 1.GENERAL TOLERANCE: ±0.25
 - 2.MATERIAL: COPPER ALLOY, FINISH: OVER NI PLATING 1.3 μm MIN.
(CONTACT AREA) 0.38 μm MIN GOLD PLATING
 - 3.APPLICABLE WIRE: AWG#20-#16 (INS DIA Φ1.8~Φ3.23)

S SIZE

25.5	12.75	1-2040586-1
21.8	9.05	2040586-1
L2	L1	Part Number

THIS DRAWING IS A CONTROLLED DOCUMENT.		DWN H.URUSHIBATA 18JUN2008	Tyco Electronics Corporation BRUNSWICK, AUSTRALIA																
DIMENSIONS: mm		CHK S.MANABE 18JUN2008																	
TOLERANCES UNLESS OTHERWISE SPECIFIED:		APVD S.MANABE 18JUN2008	NAME																
<table border="1"> <tr><td>0 PLC</td><td>± -</td></tr> <tr><td>1 PLC</td><td>± -</td></tr> <tr><td>2 PLC</td><td>± -</td></tr> <tr><td>3 PLC</td><td>± -</td></tr> <tr><td>4 PLC</td><td>± -</td></tr> <tr><td>ANGLES</td><td>± -</td></tr> <tr><td>FINISH</td><td>-</td></tr> </table>		0 PLC	± -	1 PLC	± -	2 PLC	± -	3 PLC	± -	4 PLC	± -	ANGLES	± -	FINISH	-	PRODUCT SPEC 108-78182	DYNAMIC D4200 TAB CONTACT (S SIZE) L/P		
0 PLC	± -																		
1 PLC	± -																		
2 PLC	± -																		
3 PLC	± -																		
4 PLC	± -																		
ANGLES	± -																		
FINISH	-																		
MATERIAL		APPLICATION SPEC 114-5369	SIZE	CAGE CODE	DRAWING NO	RESTRICTED TO													
		WEIGHT	A3	00779	C-2040586	-													
CUSTOMER DRAWING			SCALE	SHEET	REV														
			5:1	1 OF 1	B														

X-ON Electronics

Largest Supplier of Electrical and Electronic Components

Click to view similar products for [Headers & Wire Housings](#) category:

Click to view products by [TE Connectivity](#) manufacturer:

Other Similar products are found below :

[0015917161](#) [0022155065](#) [57102-F02-18ULF](#) [58102-G61-06LF](#) [582553-1](#) [01.001.5753.1](#) [0050291907](#) [02.125.8002.8](#) [609-3404](#) [61062-3](#)
[CSU011177004](#) [622-0430](#) [622-3653LF](#) [63453-116](#) [636-1030](#) [636-1427](#) [636-3427](#) [636-4007](#) [641938-9](#) [65495-038](#) [65692-001LF](#) [65781-018](#)
[65781-047](#) [65817-010LF](#) [65817-015LF](#) [67095-007LF](#) [67601157](#) [68631-112](#) [68645-018](#) [699319-000](#) [70.362.1628.0](#) [70-4210](#) [70-4226B](#) [70-](#)
[4853B](#) [71.350.2428.0](#) [733-134](#) [733-162](#) [760-3052](#) [MHR-64-VUAL](#) [80.063.4001.1](#) [800-90-001-10-001000](#) [801-43-002-10-013000](#)
[801-43-006-10-002000](#) [803-43-024-10-001000](#) [803-93-012-10-001000](#) [8-1437020-4](#) [819-22-004-30-001101](#) [820-22-006-30-001101](#)
[820-22-008-30-001101](#) [821-22-002-10-001101](#)