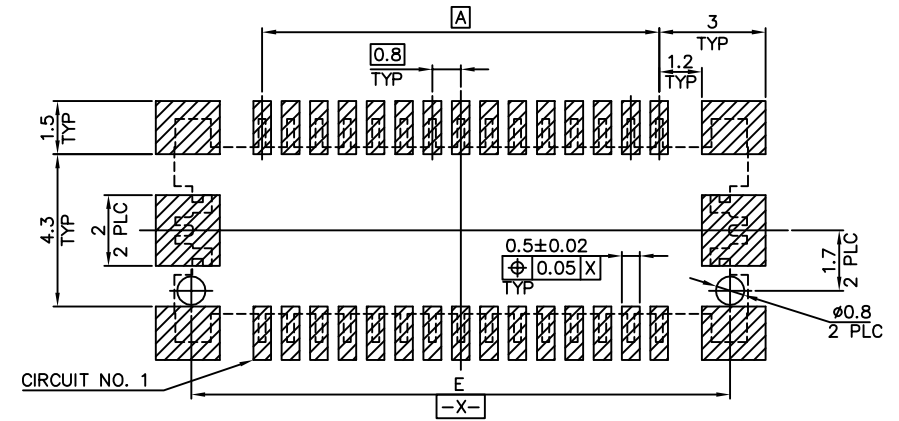
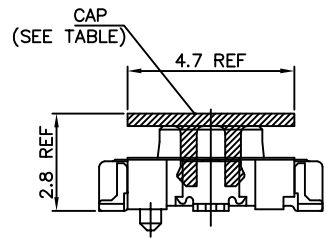
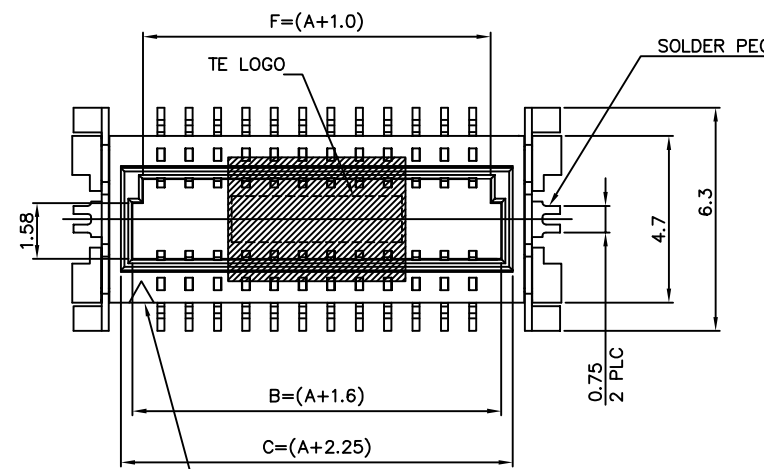
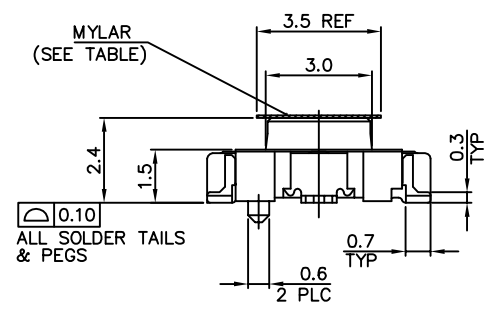
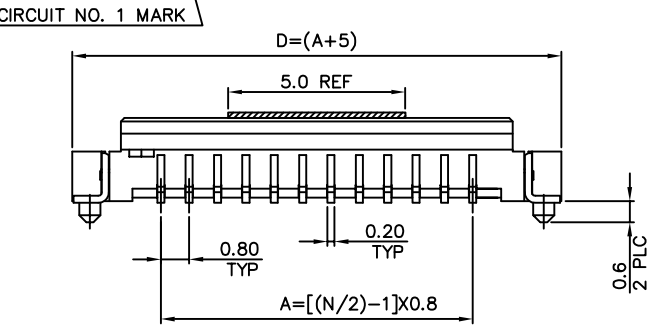


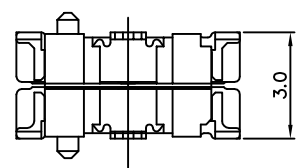
LOC	DIST	REVISIONS			
P	LTR	DESCRIPTION	DATE	DWN	APVD
DW	-	ECR-15-001514	10OCT15	I.T	W.H



TOLERANCE: ±0.05
 RECOMMENDED PCB LAYOUT
 (TOP VIEW)



- NOTES:
- MATERIAL:
 HOUSING: PA6T, WITH 30% GF, UL 94V-0, NATURAL COLOR.
 CONTACTS: PHOSPHOR BRONZE.
 PEGS: BRASS.
 CAP: PA6T, WITH 30% GF, UL 94V-0, NATURAL COLOR.
 MYLAR: POLYSTYRENES, ORANGE COLOR.
 - FINISH:
 CONTACTS:
 PLATING A: GOLD FLASH.
 PLATING B: 2.54mm [100m] MIN. MATTE-TIN.
 (WITH ENTIRE CONTACT UNDERPLATED 1.27mm [50m] MIN. NICKEL)
 PEGS: 2.54mm [100m] MIN. MATTE-TIN OVER 1.27mm [50m] MIN. NICKEL.
 RECOMMENDED PART NUMBER OF MATING RECEPTACLE: X-2041201-X
 - REFLOW SOLDER CAPABLE TO 260°C AS PER TEC-109-201, CONDITION B.
 - LOW HALOGEN SPEC:
 CHLORINE(Cl): 900ppm MAX.
 BROMINE(Br): 900ppm MAX.



△ STACKING HEIGHT

PACKAGE	PICK UP MATERIAL	CONTACT PLATING	WEIGHT (GRAMS)	DIMENSIONS								NO. OF CONTACTS	PART NUMBER
				G	F	E	D	C	B	A			
SHEET 2.	MYLAR	B	0.199	13.73	9.8	12.8	13.8	11.05	10.4	8.8	24	2-2041173-4	
SHEET 3.	MYLAR	B	0.125	8.93	5	8	9	6.25	5.6	4.0	12	1-2041173-2	
SHEET 2.	MYLAR	A	0.125	8.93	5	8	9	6.25	5.6	4.0	12	2041173-4	
SHEET 3.	CAP	B	0.125	8.93	5	8	9	6.25	5.6	4.0	12	2041173-3	
SHEET 2.	MYLAR	A	0.199	13.73	9.8	12.8	13.8	11.05	10.4	8.8	24	2041173-2	

THIS DRAWING IS A CONTROLLED DOCUMENT.

DWN: A. WU, 16NOV2009
 CHK: S. CHIEN, 16NOV2009
 APVD: W. KODAMA, 16NOV2009

NAME: BOARD-TO-BOARD CONNECTOR, 0.8 MM PITCH, FINE-STACK, 3H, PLUG

PRODUCT SPEC: 108-57488

APPLICATION SPEC: -

WEIGHT: SEE TABLE

CUSTOMER DRAWING

SCALE: - SHEET: 1 of 3 REV: C

SIZE: A3 CAGE CODE: 00779 DRAWING NO: C=2041173 RESTRICTED TO: -

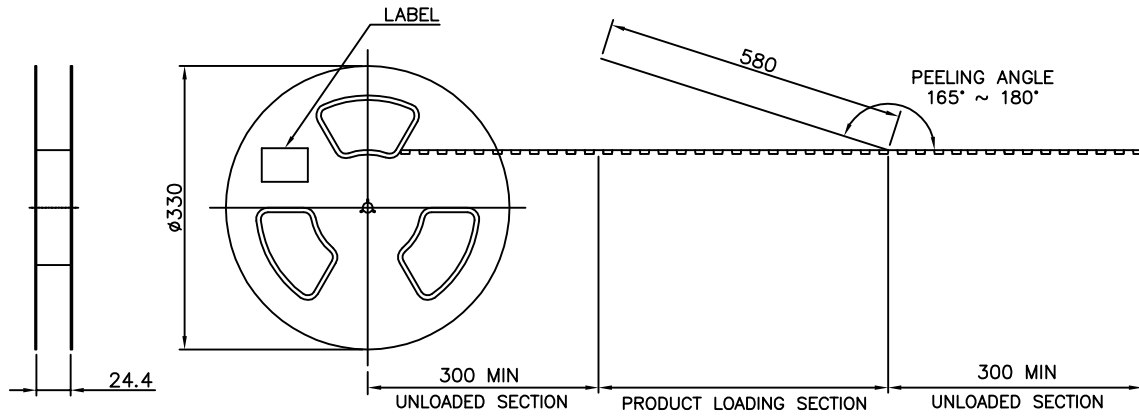
DIMENSIONS:	TOLERANCES UNLESS OTHERWISE SPECIFIED:
MM	
0 PLC	± -
1 PLC	± 0.3
2 PLC	± 0.2
3 PLC	± -
4 PLC	± -
ANGLES	± -
MATERIAL	FINISH
SEE NOTE	SEE NOTE

THIS DRAWING IS UNPUBLISHED. RELEASED FOR PUBLICATION
 © COPYRIGHT 2009 BY TYCO ELECTRONICS CORPORATION. ALL RIGHTS RESERVED.

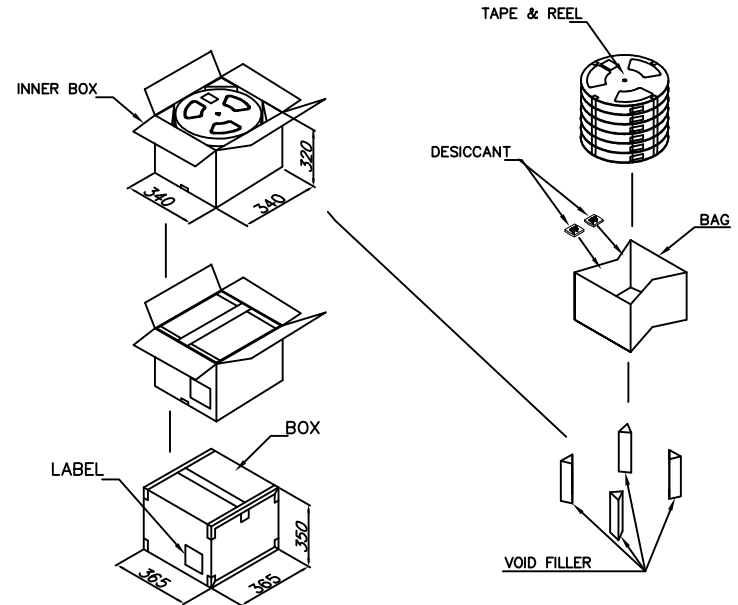
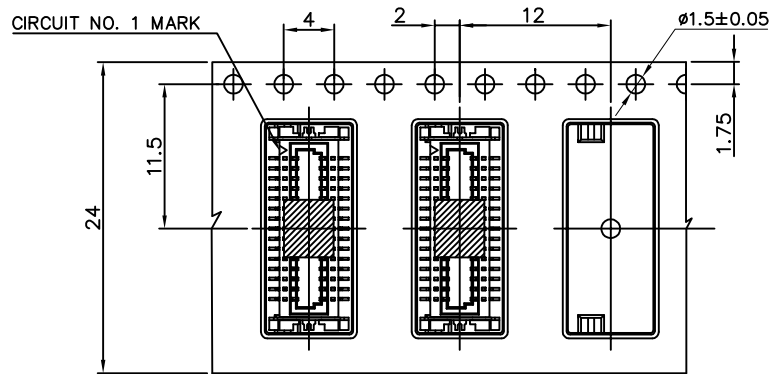
LOC	DIST	REVISIONS			
P	LTR	DESCRIPTION	DATE	DWN	APVD
DW	-	SEE SHEET 1.			

NOTES:

- MATERIAL:
 BOX: FIBREBOARD, CORRUGATED, DOUBLE WALL.
 COVER TAPE: POLYSTYRENES, 120°C HEAT-RESISTANT TEMPERATURE, TRANSPARENT COLOR.
 CARRIER TAPE: POLYSTYRENES, 120°C HEAT-RESISTANT TEMPERATURE, TRANSPARENT COLOR.
 REEL: HIPS, 70°C HEAT-RESISTANT TEMPERATURE, BLUE COLOR.
 BAG: POLYETHYLENES, 100°C HEAT-RESISTANT TEMPERATURE, TRANSPARENT COLOR.
- EACH BAG SHALL BE INCLUDED DESICCANT.
- PEELING STRENGTH: 0.1 ~ 1.3 N (10 ~ 130 GRAMS).
- PEELING SPEED: 300 mm/min.



USER DIRECTION OF UNREELING →



QUANTITY	PCS/TAPE	REELS/BOX	G/W (Kg)	N/W (Kg)	NO. OF CONTACTS
15000 PCS	1500	10	10.12	3.25	24
			9.25	2.35	12

THIS DRAWING IS A CONTROLLED DOCUMENT.

DWN A. WU 16NOV2009	16NOV2009		
CHK S. CHIEN 16NOV2009	16NOV2009		
APVD W. KODAMA 16NOV2009	16NOV2009		
PRODUCT SPEC	NAME		
APPLICATION SPEC	SIZE		
WEIGHT	CAGE CODE		DRAWING NO
CUSTOMER DRAWING		A3 00779	G=2041173
SCALE		SHEET	REV
-		2 of 3	C

STE TE Connectivity

BOARD-TO-BOARD CONNECTOR,
0.8 MM PITCH, FINE-STACK, 3H, PLUG

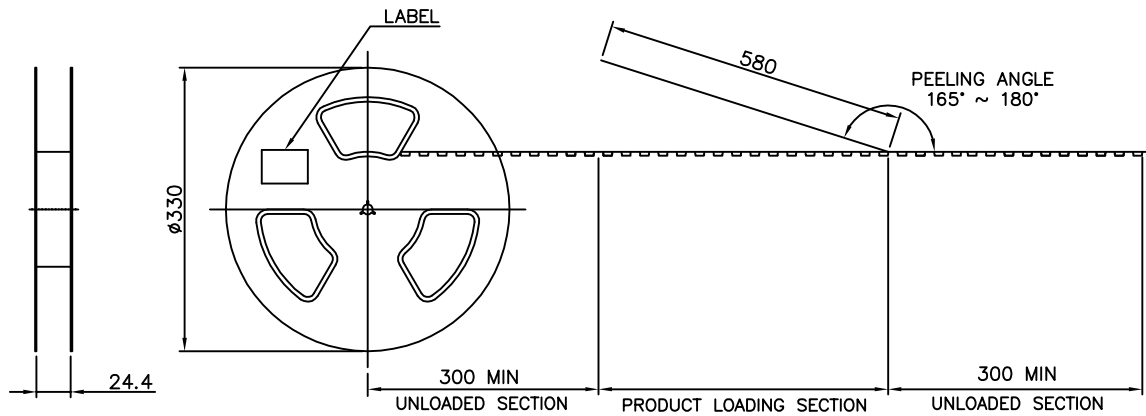
RESTRICTED TO

THIS DRAWING IS UNPUBLISHED. RELEASED FOR PUBLICATION
 © COPYRIGHT 2009 BY TYCO ELECTRONICS CORPORATION. ALL RIGHTS RESERVED.

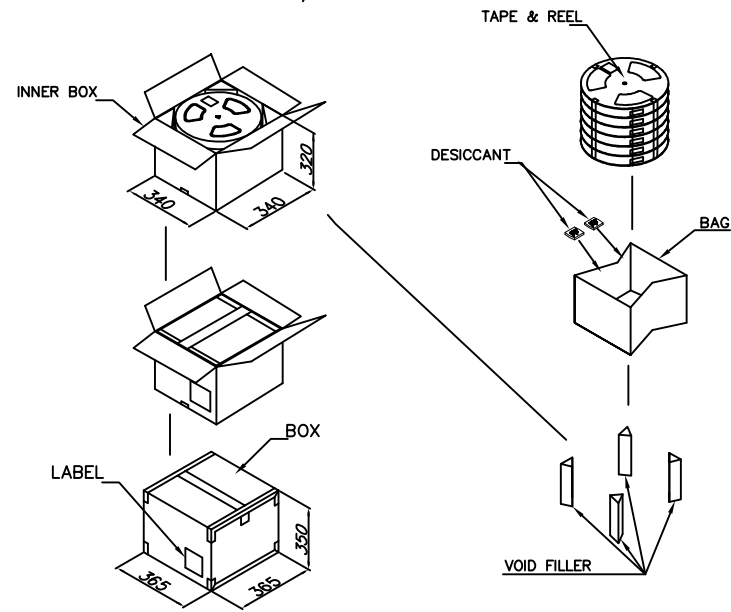
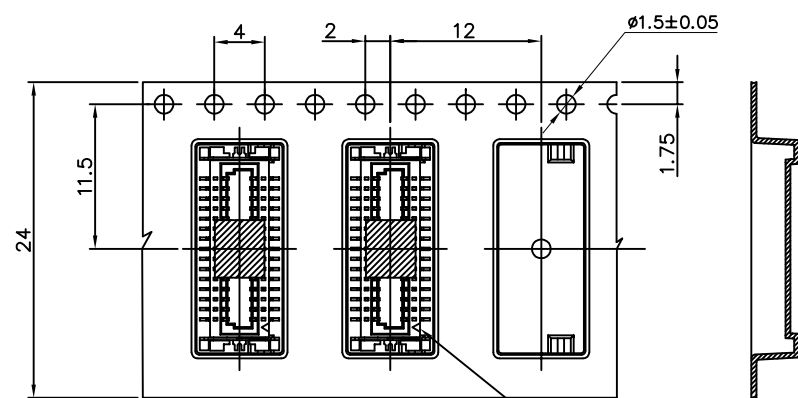
LOC	DIST	REVISIONS			
P	LTR	DESCRIPTION	DATE	DWN	APVD
DW	-	SEE SHEET 1.			

NOTES:

- MATERIAL:
 BOX: FIBREBOARD, CORRUGATED, DOUBLE WALL.
 COVER TAPE: POLYSTYRENES, 120°C HEAT-RESISTANT TEMPERATURE, TRANSPARENT COLOR.
 CARRIER TAPE: POLYSTYRENES, 120°C HEAT-RESISTANT TEMPERATURE, TRANSPARENT COLOR.
 REEL: HIPS, 70°C HEAT-RESISTANT TEMPERATURE, BLUE COLOR.
 BAG: POLYETHYLENES, 100°C HEAT-RESISTANT TEMPERATURE, TRANSPARENT COLOR.
- EACH BAG SHALL BE INCLUDED DESICCANT.
- PEELING STRENGTH: 0.1 ~ 1.3 N (10 ~ 130 GRAMS).
- PEELING SPEED: 300 mm/min.



USER DIRECTION OF UNREELING →



15000 PCS	1500	10	9.25	2.35	12
QUANTITY	PCS/TAPE	REELS/BOX	G/W (Kg)	N/W (Kg)	NO. OF CONTACTS

THIS DRAWING IS A CONTROLLED DOCUMENT.

DWN A. WU 16NOV2009	TE Connectivity	
CHK S. CHIEN 16NOV2009	TE Connectivity	
APVD W. KODAMA 16NOV2009	NAME	
PRODUCT SPEC	BOARD-TO-BOARD CONNECTOR, 0.8 MM PITCH, FINE-STACK, 3H, PLUG	
APPLICATION SPEC	SIZE	RESTRICTED TO
WEIGHT	A3 00779	C=2041173
CUSTOMER DRAWING	SCALE	SHEET 3 of 3
		REV C

DIMENSIONS:	TOLERANCES UNLESS OTHERWISE SPECIFIED:
MM	
0 PLC	± -
1 PLC	± -
2 PLC	± -
3 PLC	± -
4 PLC	± -
ANGLES	± -
MATERIAL	FINISH

X-ON Electronics

Largest Supplier of Electrical and Electronic Components

Click to view similar products for [Headers & Wire Housings](#) category:

Click to view products by [TE Connectivity](#) manufacturer:

Other Similar products are found below :

[95000-104TRLF](#) [10135584-644402LF](#) [DF62W-EP2022PCA](#) [95000-106TRLF](#) [DF62W-2022SCA](#) [DF62W-EP2022PC](#) [2203348](#) [DF62W-2022SC](#) [1084018](#) [1029039](#) [1084017](#) [802-10-012-10-002000](#) [1112640](#) [1112639](#) [000-34000](#) [0009482033](#) [0009507031](#) [57102-S06-03LF](#) [57202-S52-04LF](#) [PCN6-15S-2.5E](#) [0039019024](#) [58102-G61-06LF](#) [582553-1](#) [0009508121](#) [0050291907](#) [018731A](#) [LY20-4P-DT1-P1E-BR](#) [02.125.8002.8](#) [60101931](#) [60598-1 \(Cut Strip\)](#) [M1625-3R/100](#) [61062-3](#) [61082-181009](#) [636-1427](#) [638009-1](#) [641938-9](#) [641991-4](#) [644168-1](#) [647662-1](#) [65039-019ELF](#) [65817-002LF](#) [65817-015LF](#) [65863-015LF](#) [66207-023LF](#) [67016-026LF](#) [67046-001LF](#) [67095-007LF](#) [68002-116](#) [68016-236H](#) [68648-049](#)