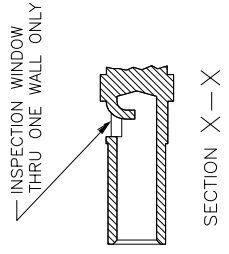
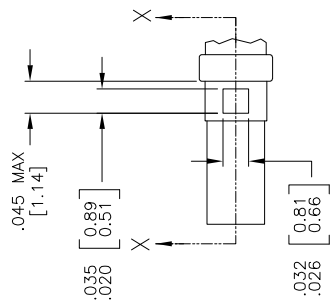
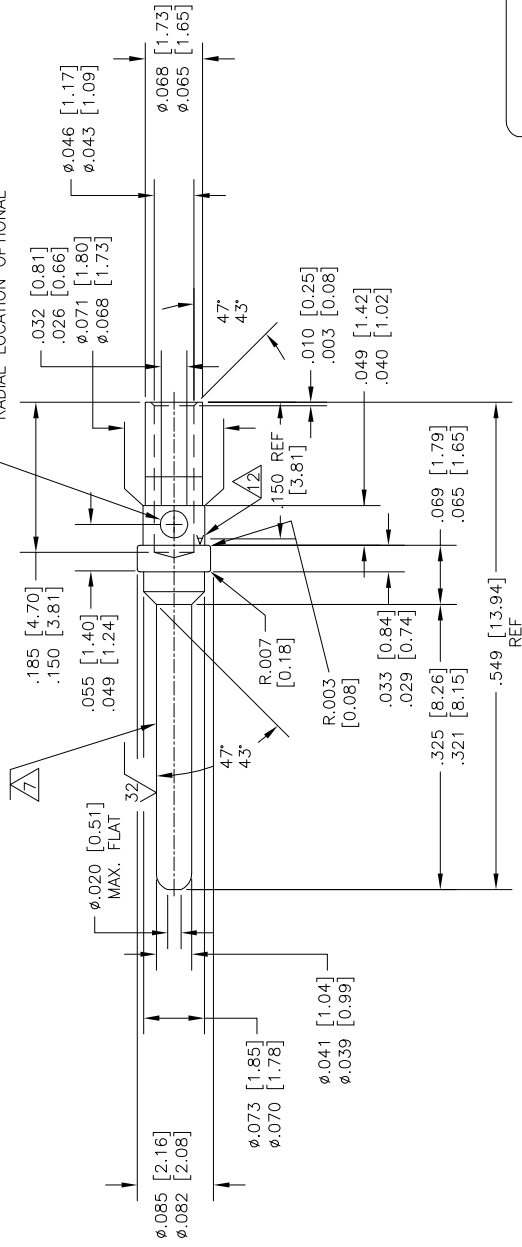


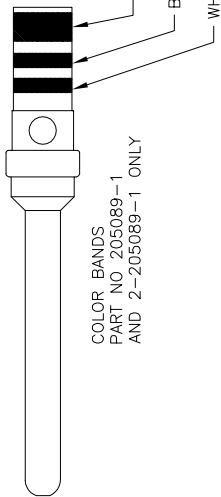
WHEN ORDERING CONTACT ON TAPE, ORDER BY THE TAPE NUMBER PLUS THE PACKAGING CODE AS FOLLOWS:

- 2. FOR USE WITH AMP TAPETRONIC, PNEUMATIC TOOL-
 - A. 1000 PARTS TO A BOX ADD PACKAGING CODE: 1MBOX
- 3. FOR USE WITH 4/8 INDENT STRIPPER CRIMP-
 - A. 1000 PARTS TO A REEL ADD PACKAGING CODE: 1MREEL
 - B. 5000 PARTS TO A REEL ADD PACKAGING CODE: 5MREEL



INSPECTION WINDOW OPTIONAL DESIGN

COLOR BANDS
 PART NO. 205089-1
 AND 2-205089-1 ONLY



- 1 MATERIAL: COPPER ALLOY PER MIL-C-39029 & MIL-DTL-24308.
- 2. ALL DIMENSIONS APPLY AFTER PLATING.
- 3. ---
- 4. ALL DIAMETERS CONCENTRIC WITH EACH OTHER WITHIN .004 T.I.R.
- 5. PIN MATES WITH SOCKET 205090 (AS 39029/63).
- 6. ALL SURFACES HAVE $\sqrt{3}$ OR BETTER FINISH, UNLESS SHOWN.
- 7. POINT OF PLATING MEASUREMENT .188 [4.78] FROM TIP OF PIN.
- 8. PLATING: GOLD PER ASTM-B-488 (TYPE II) OVER NICKEL PER AMS-QQ-N-290.
- 9. PLATING: GOLD PER ASTM-B-488 (TYPE II) OVER COPPER PER MIL-C-14550, CLASS 4.
- 10. PLATING: GOLD PER ASTM-B-488 (TYPE II, CLASS 0) OVER NICKEL PER AMS-QQ-N-290.
- 11. PLATING:
 - MATING AREA: GOLD PER ASTM-B-488 (TYPE II) OVER NICKEL PER AMS-QQ-N-290.
 - NON MATING AREA: GOLD PER ASTM-B-488 OVER NICKEL PER AMS-QQ-N-290.
- 12. MANUFACTURER'S LOGO ("A" OR ".") LOCATION OPTIONAL
- 13. CONTACTS QUALIFIED TO AS39029/64-369
- 14. CONTACTS QUALIFIED TO GSFC-S-311-P-4/10, NASA P/N G-10-P1
- 15. RESTRICTED PART NUMBER.
- 16. CONTACTS MUST MEET DIMENSIONAL & PERFORMANCE REQUIREMENTS OF GSFC-S-311-P-4/08, NASA P/N G-10-P1 & 100% RESIDUAL MAGNETISM.

REV	DATE	BY	APP'D
AA	5-2-17	CT	DM

REV	DESCRIPTION
AA	REV PER ECO 17-005913

REV	DESCRIPTION	DATE	BY	APP'D
AA	WITHOUT COLOR CODE			
AA	WITHOUT COLOR CODE			
AA	WITHOUT COLOR CODE			
AA	WITHOUT COLOR CODE			
AA	WITHOUT COLOR CODE			
AA	WITHOUT COLOR CODE			
AA	CONTACT ON TAPE			
AA	AS SHOWN			
AA	PLATING			
AA	PART NO.			

THIS DRAWING IS A CONTROLLED DOCUMENT.		DWG. NO. 250625003	
DESIGNED BY: J. KAISER	DATE: 10-13-03	TE CONNECTIVITY	
DRAWN BY: D. MILLER	DATE: 10-13-03	PIN SIZE 20 CONTACT,	
CHECKED BY: D. MILLER	DATE: 10-13-03	AMPLIMITE	
PRODUCT SPEC:			
APPLICATION SPEC:			
WEIGHT: 0.000000	DRAWING NO. A2 00779	RESTRICTED TO	
CUSTOMER DRAWING	SCALE: 10:1	SHEET: 1 of 1	REV: AA

X-ON Electronics

Largest Supplier of Electrical and Electronic Components

Click to view similar products for [D-Sub MIL Spec Connectors](#) category:

Click to view products by [TE Connectivity](#) manufacturer:

Other Similar products are found below :

[M24308/4-13Z](#) [M8351307-B](#) [D38999/20FJ43HN](#) [D38999/24WG11PB-LC](#) [D38999/24WG41HN](#) [MDM-15PH041P](#) [MDM-21PH041P](#) [MDM-21SH003B-K139](#) [850-056-0812](#) [1218697-4](#) [DBMM25S](#) [MS27467T21F41S](#) [17D25HV](#) [1996840-1](#) [243082-15](#) [1663962-1](#) [1757682-1](#) [17D-E51218-1](#) [17SDA15S](#) [1883533-1](#) [1883886-1](#) [1883889-1](#) [192900-0377](#) [308-CP6P0441-024H](#) [M24308/2-3Z](#) [M24308/4-3Z](#) [M24308/4-4F](#) [M24308/4-4Z](#) [M24308/8-347](#) [M83513/03-E09C](#) [M83723/75W2212N L/C](#) [D38999/24FJ29PN-LC](#) [D38999/24WG11SB-LC](#) [MDM-21PH046P](#) [5-1218949-1](#) [550-031NF1R6K](#) [550E001NF1R3J0L](#) [550T001NF1R6K0L](#) [557T283NF5B08](#) [C115368-1612B](#) [C115370-1717B](#) [DC121073157](#) [443869-3](#) [443869-4](#) [443869-5](#) [550S004NF1R1B0F03](#) [550-031NF1R2E](#) [550E003M2R9J0F04](#) [550E003M3R9J0F05](#) [550E024M104R9J0](#)