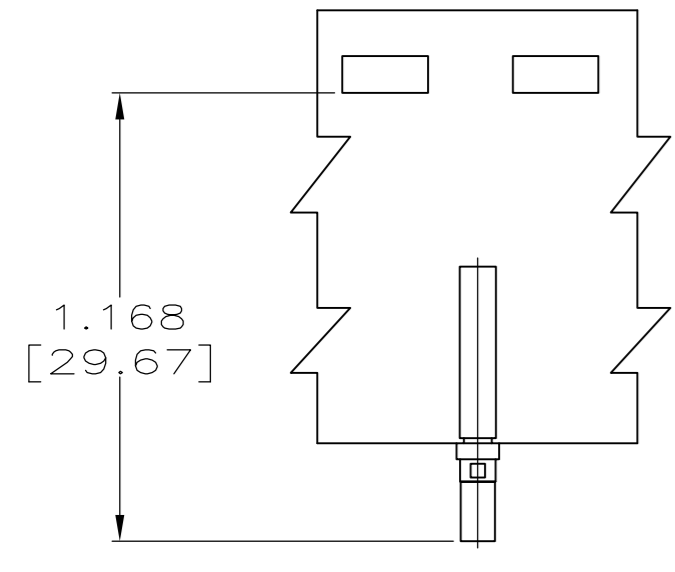
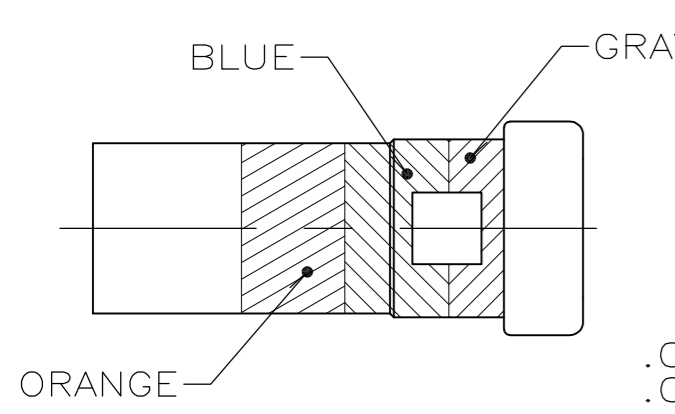
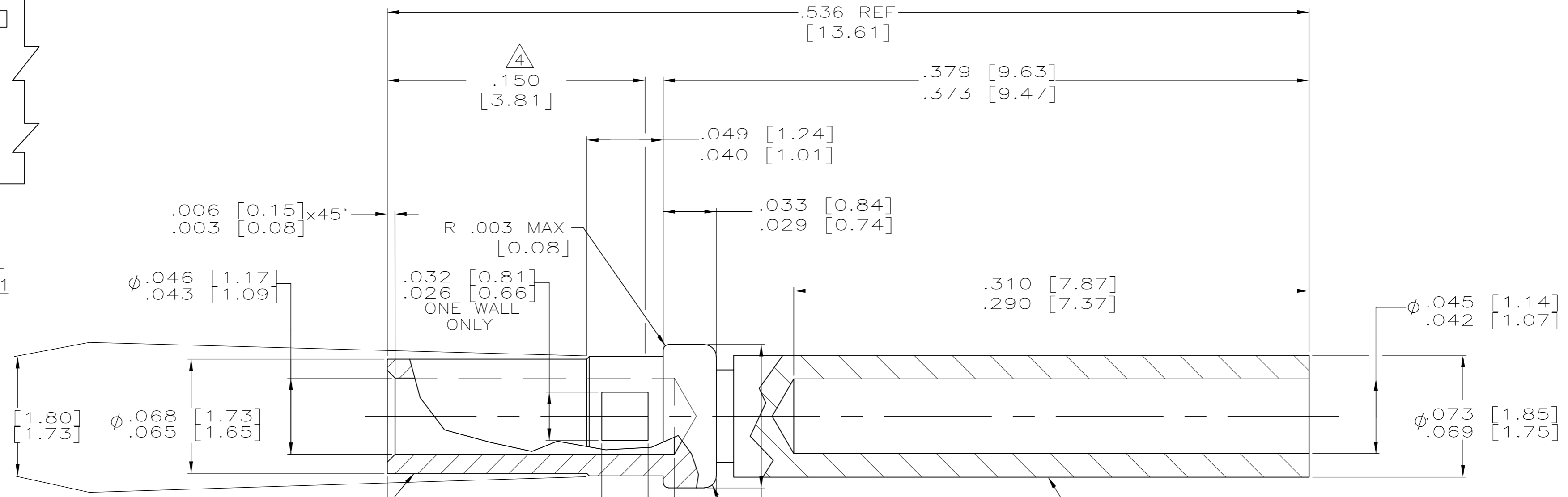


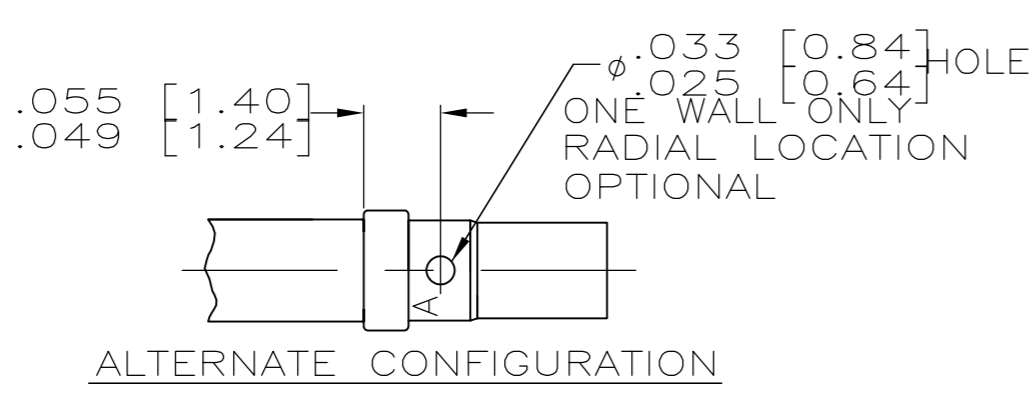
| REVISIONS | | | | |
|-----------|-----|-----------------------|---------|-------|
| P | LTR | DESCRIPTION | DATE | APVD |
| U | | REV PER ECO 16-017871 | 24MAY16 | CT DM |



205090-2
SCALE 2:1



COLOR CODE
BIN NO. 368
SCALE 10:1



ALTERNATE CONFIGURATION

- ALL DIMENSIONS APPLY AFTER PLATING.
- CONTACT QUALIFIED TO SAE-AS39029/63-368.
- ALL DIAMETERS CONCENTRIC WITH EACH OTHER WITHIN .004 T.I.R.
- POINT OF PLATING MEASUREMENT .150 [3.81] FROM WIRE BARREL END OF CONTACT.
- ALL SURFACES HAVE $\sqrt{63}$ OR BETTER FINISH.
- GOLD PLATED .000050 MIN THK PER ASTM-B-488 TYPE II, GRADE C, CLASS 1.25 OVER NICKEL .000050 MIN THK PER AMS-QQ-N-290 IN MATING AREAS. GOLD FLASH PER ASTM-B-488 OVER .000050 MIN THK NICKEL PER AMS-QQ-N-290 IN NON MATING AREAS.
- GOLD PLATED PER ASTM B 488 TYPE 3, GRADE C, CLASS .75 OVER NICKEL PER QQ-N-290.
- SLEEVE MAY BE CRIMPED, DIMPLED OR PRESS FIT TO BODY
- MANUFACTURER'S LOGO ("A" OR "- . .") LOCATION OPTIONAL.
- RESTRICTED PART NUMBER
- COUNTRY OF ORIGIN RESTRICTED TO UNITED STATES.

SUPERSEDED BY 1218267-3

| 11 | YES | 6 | LOOSE PIECE | 4-205090-1 |
|------------|--------|-------------|--------------|------------|
| 10 | NO | 6 | LOOSE PIECE | 2-205090-2 |
| 10 | | | | 2-205090-1 |
| | NO | 7 | LOOSE PIECE | 205090-7 |
| | YES | 6 | TAPE MOUNTED | 205090-2 |
| | YES | 6 | LOOSE PIECE | 205090-1 |
| COLOR CODE | FINISH | DESCRIPTION | PART NUMBER | |

| | | | | |
|---|--|------------------------|--|--|
| THIS DRAWING IS A CONTROLLED DOCUMENT. | | DWN C.C.THOMAS 8-17-04 | TE Connectivity | |
| DIMENSIONS: INCHES [mm] | | CHK D.MILLER 8-17-04 | | |
| TOLERANCES UNLESS OTHERWISE SPECIFIED: | | APVD D.MILLER 8-17-04 | NAME CONTACT ASSY, SOCKET, SIZE 20,AMPLIMITE | |
| 0 PLC ± - 1 PLC ± - 2 PLC ± - 3 PLC ± .005 [0.13] 4 PLC ± - ANGLES ± - | | PRODUCT SPEC | SIZE CAGE CODE DRAWING NO RESTRICTED TO | |
| MATERIAL SEE CALLOUTS | | FINISH SEE CALLOUTS | A2 00779 C=205090 | |
| | | WEIGHT 0.000000 | SCALE 20:1 SHEET 1 of 1 REV U | |
| | | CUSTOMER DRAWING | | |

X-ON Electronics

Largest Supplier of Electrical and Electronic Components

Click to view similar products for [D-Sub Contacts](#) category:

Click to view products by [TE Connectivity](#) manufacturer:

Other Similar products are found below :

[173112-0723](#) [173112-0393](#) [173112-0389](#) [173112-0750](#) [173112-0912](#) [FMP009P104](#) [FMP010P104](#) [FMP010S104](#) [FMP016P104](#)
[FMP016S104](#) [FMP051S110](#) [FMX006S128B](#) [124C25029X](#) [131A11039X](#) [132A11019X](#) [132J22039X](#) [132A11029X](#) [132A12059X](#)
[132C12029X](#) [RMPIR01S02E2RLF](#) [DM53744-1](#) [1757912-1](#) [188582-000](#) [162A11839X](#) [162A11889X](#) [1757913-1](#) [FK20S18-02V_100](#)
[FMP006S110](#) [FMP009S104](#) [FMP139S115](#) [212558-1](#) [D02-22-26P-10000](#) [L17DM53744217](#) [D-610-10CS2820](#) [030-1955-000](#) [030-50634](#)
[053744-0098](#) [053744-0099](#) [053745-0105](#) [053745-0111](#) [601064N004](#) [601098N003](#) [6-745288-2](#) [D-610-10CS2962](#) [86303057NLF](#)
[DM537425001NCLF](#) [131A11019X](#) [173112-0045](#) [162A11819X](#) [1731120397](#)