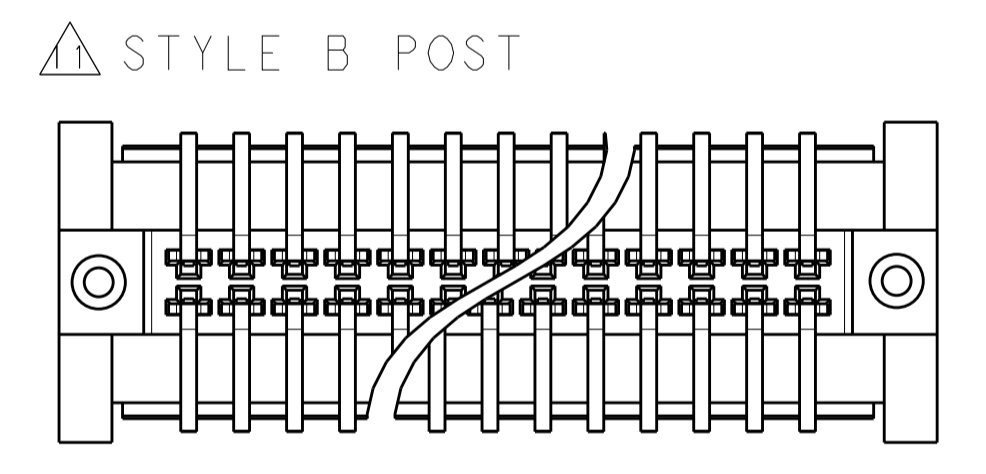
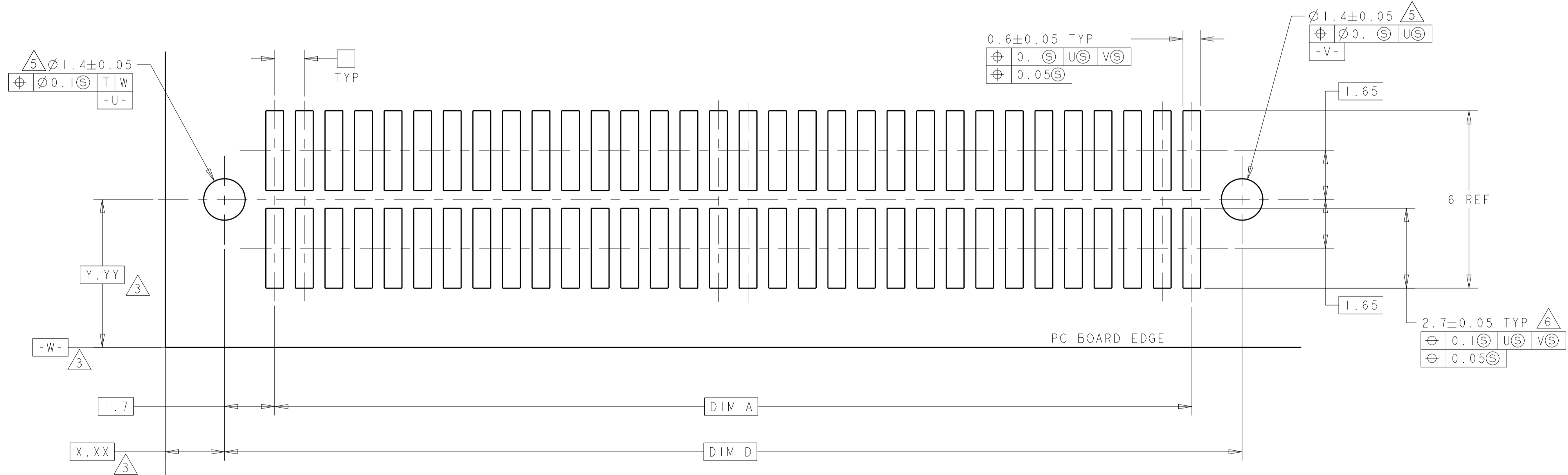
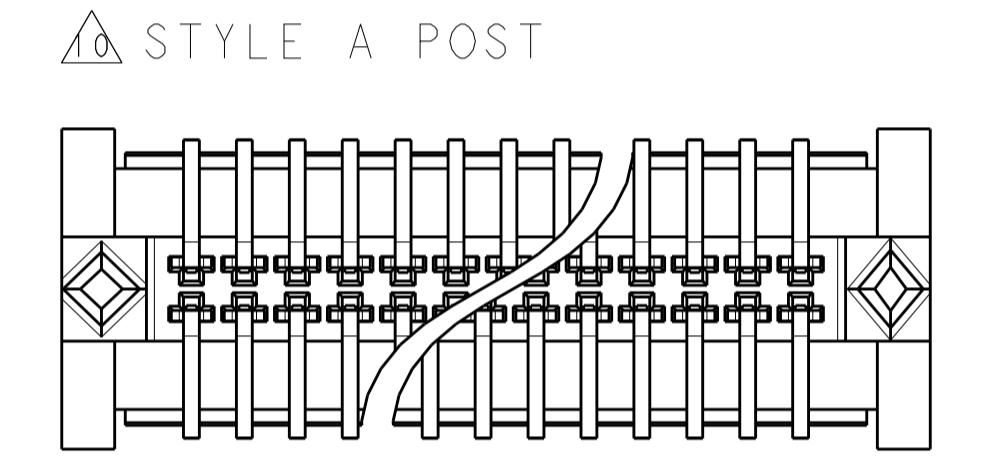
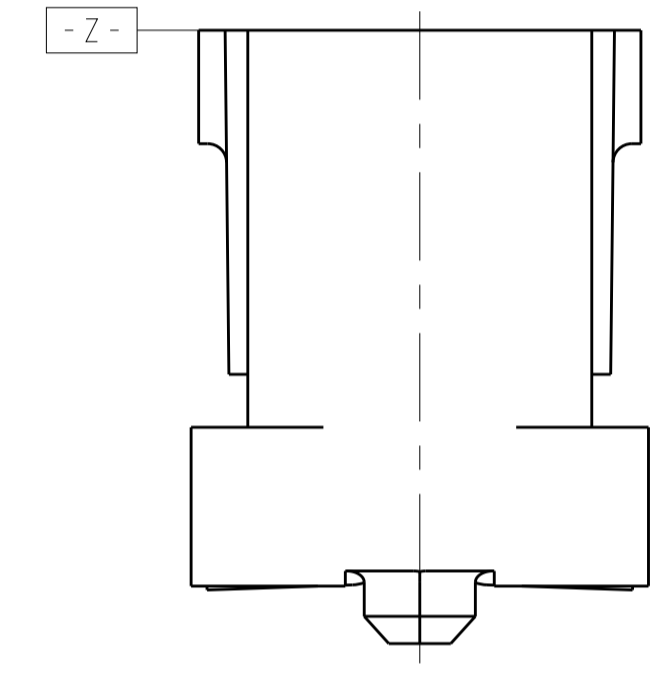
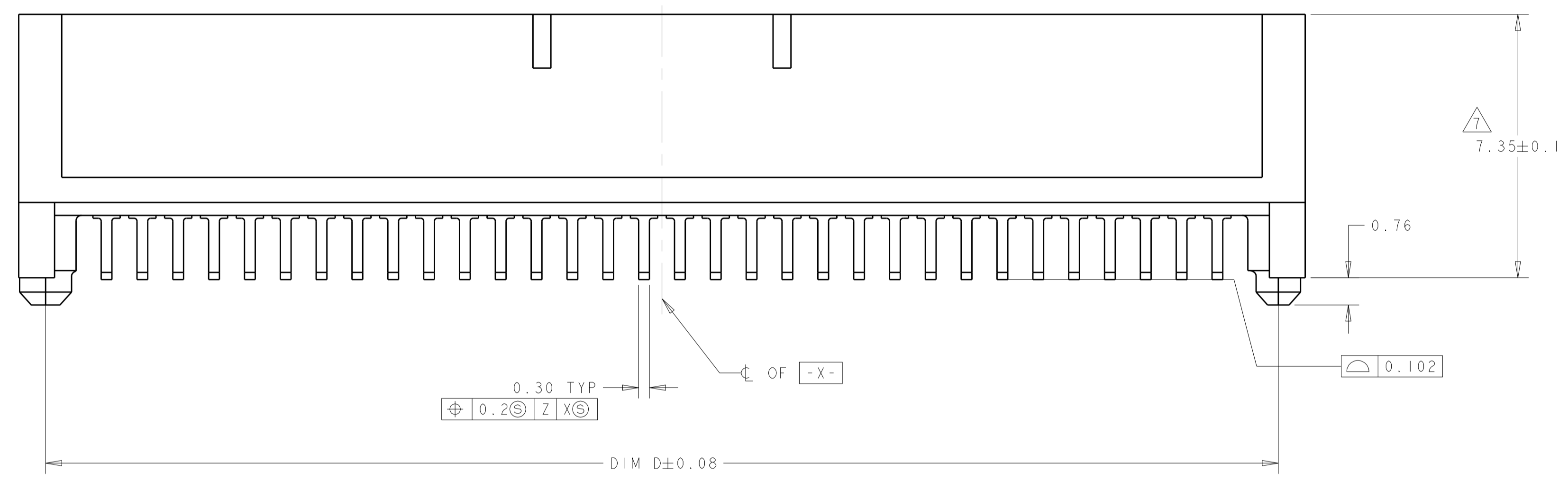
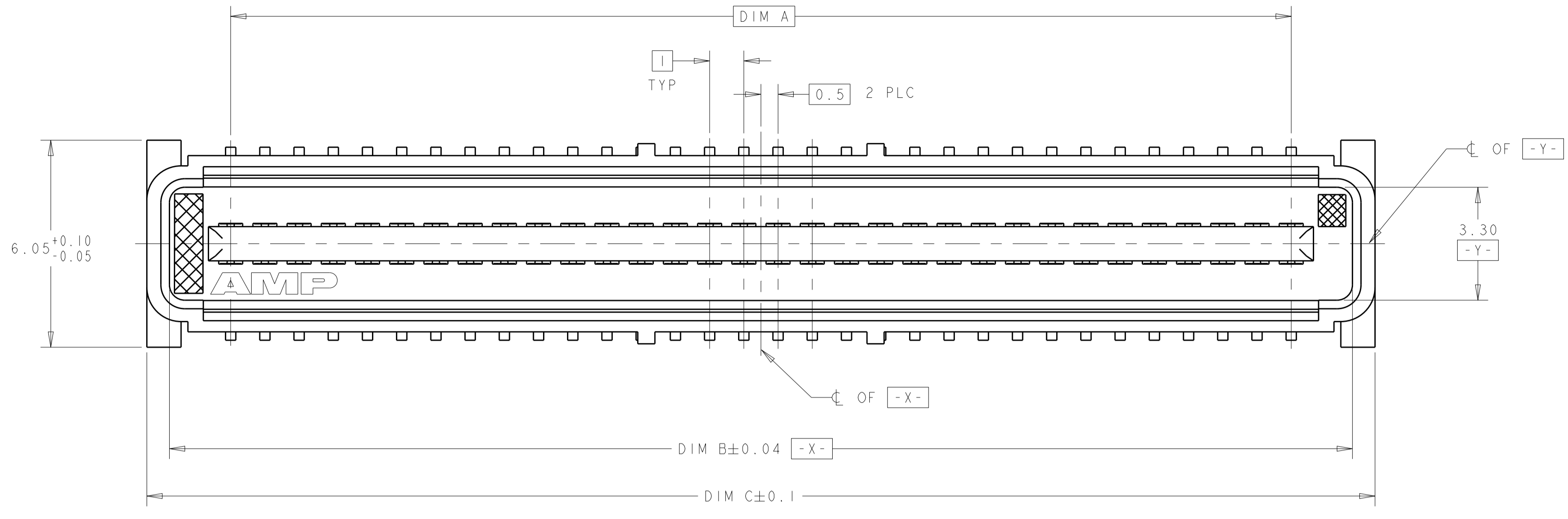


REVISIONS				
P.	LTM	DESCRIPTION	DATE	OWN APVD
G		REV PER ECR-14-016951	11FEB2015	J.T W.H



RECOMMENDED PC BOARD LAYOUT

- HOUSING MATERIAL: LIQUID CRYSTAL POLYMER, COLOR; BLACK. CONTACT MATERIAL: PHOSPHOR BRONZE.
 - CONTACT FINISH: NICKEL UNDERPLATE ALL OVER, MATING SURFACES PLATED TO MEET PLI PERFORMANCE REQUIREMENTS OF INDUSTRY SPECIFICATION EIA-700AAAB, SOLDER TAILS PLATED TIN-LEAD.
 - DATUM LOCATIONS AND BASIC DIMENSIONS TO BE ESTABLISHED BY THE CUSTOMER. CONSULT AMP ENGINEERING WHEN PLACING MULTIPLE CONNECTORS ON A PC BOARD.
 - PACKAGED IN TAPE ON REEL PER EIA-481.
 - 1.5 MIN DIAMETER HOLE SHOULD BE USED IF USING POST STYLE "A" AND PLACING ON PCB WITH VACUUM PLACEMENT EQUIPMENT.
 - SHORTER SOLDER LANDS MAY BE USED PER EIA 700AAAB, HOWEVER 2.7 LENGTH ASSURES OPTIMUM SOLDER FILLET REGARDLESS OF MANUFACTURER OF CONNECTOR.
 - REFERRED TO AS DIM N IN EIA 700AAAB SPECIFICATION.
 - CONTACT FINISH: 0.002 MINIMUM BRIGHT TIN-LEAD (93-7) ON SOLDER AREA, 0.00127 MINIMUM GOLD ON MATING AREA, BOTH OVER 0.00127 MINIMUM NICKEL ON ENTIRE CONTACT.
- OBSELETE PART NUMBER.
- SQUARE AND DIAMOND SHAPED POSTS
 - ROUND SHAPED POSTS

POST STYLE	FINISH	DIM D	DIM C	DIM B	DIM A	STACK HGTS	POS	PART NO
1	8	44.4	45.9	44.58	41	9, 11, 14	84	3-120526-2
1	8	34.4	35.9	34.58	31	9, 11, 14	64	3-120526-1
1	2	44.4	45.9	44.58	41	9, 11, 14	84	2-120526-2
1	2	34.4	35.9	34.58	31	9, 11, 14	64	2-120526-1
1	8	44.4	45.9	44.58	41	9, 11, 14	84	1-120526-2
1	8	34.4	35.9	34.58	31	9, 11, 14	64	1-120526-1
9	10	44.4	45.9	44.58	41	9, 11, 14	84	120526-2
9	10	34.4	35.9	34.58	31	9, 11, 14	64	120526-1

THIS DRAWING IS A CONTROLLED DOCUMENT. DWN J. REED 27/11/97
 CHK L. VO 27/11/97
 APVD - NAME -

DIMENSIONS: mm
 TOLERANCES UNLESS OTHERWISE SPECIFIED:
 0 PLC ±
 1 PLC ±0.03
 2 PLC ±0.03
 3 PLC ±0.03
 4 PLC ±
 ANGLES 40° 30'

MATERIAL 1
 SEE TABLE

PRODUCT SPEC 502-1079
 APPLICATION SPEC 114-25045
 WEIGHT -
 CUSTOMER DRAWING

SCALE 10:1 SHEET 1 OF 1 REV G

TE TE Connectivity
 PLUG ASSY, 1.0mm FH(IEEE1386)
 CONNECTOR

SIZE A1 CAGE CODE DRAWING NO C=120526 RESTRICTED TO

X-ON Electronics

Largest Supplier of Electrical and Electronic Components

Click to view similar products for [Board to Board & Mezzanine Connectors](#) category:

Click to view products by [TE Connectivity](#) manufacturer:

Other Similar products are found below :

[589158040000018](#) [MDF7C-18P-2.54DSA\(55\)](#) [FCN-230C068-11](#) [FCN-268F012-G/BD](#) [FCN-268F036-G/BD](#) [FCN-268M012-G/0D](#) [FCN-268M024-G/1D](#) [FCN-723J004/1](#) [MIS-048-01-F-D-DP-K](#) [832-10-034-10-001000](#) [FX4C-80S-1.27DSA](#) [FCN-214Q030-G/0](#) [FCN-234P048-G/0](#) [FCN-235D050-G/C](#) [210-93-314-41-105000](#) [2-22603-0](#) [MDF7-40DP-2.54DSA\(55\)](#) [AXG720047](#) [5031084030](#) [MIT-114-03-F-D-K](#) [55323-1519](#) [DF33-2P-3.3DSA\(24\)](#) [YFT-20-05-H-03-SB-K](#) [503308-3040](#) [026-6203-PDB](#) [027-6203-PDB](#) [069159702701000](#) [10123981-102LF](#) [101A10019X](#) [55650-0588-C](#) [68682-310LF](#) [68684-306](#) [75140-7012](#) [87471-650](#) [194261-1](#) [FCN-268F024-G0D](#) [10124054-515LF](#) [68685-603](#) [8-1616154-3](#) [MIS-019-01-F-D](#) [FCN-268M024-G/3D](#) [20021832-06016C1LF](#) [KX15-20KLDL-E1000E](#) [MDF7-16DP-2.54DSA\(55\)](#) [AXE810124](#) [FCN-214J100-G/0](#) [FCN-230C068-E/S](#) [AXE812124](#) [AXE816124](#) [AXE720127](#)