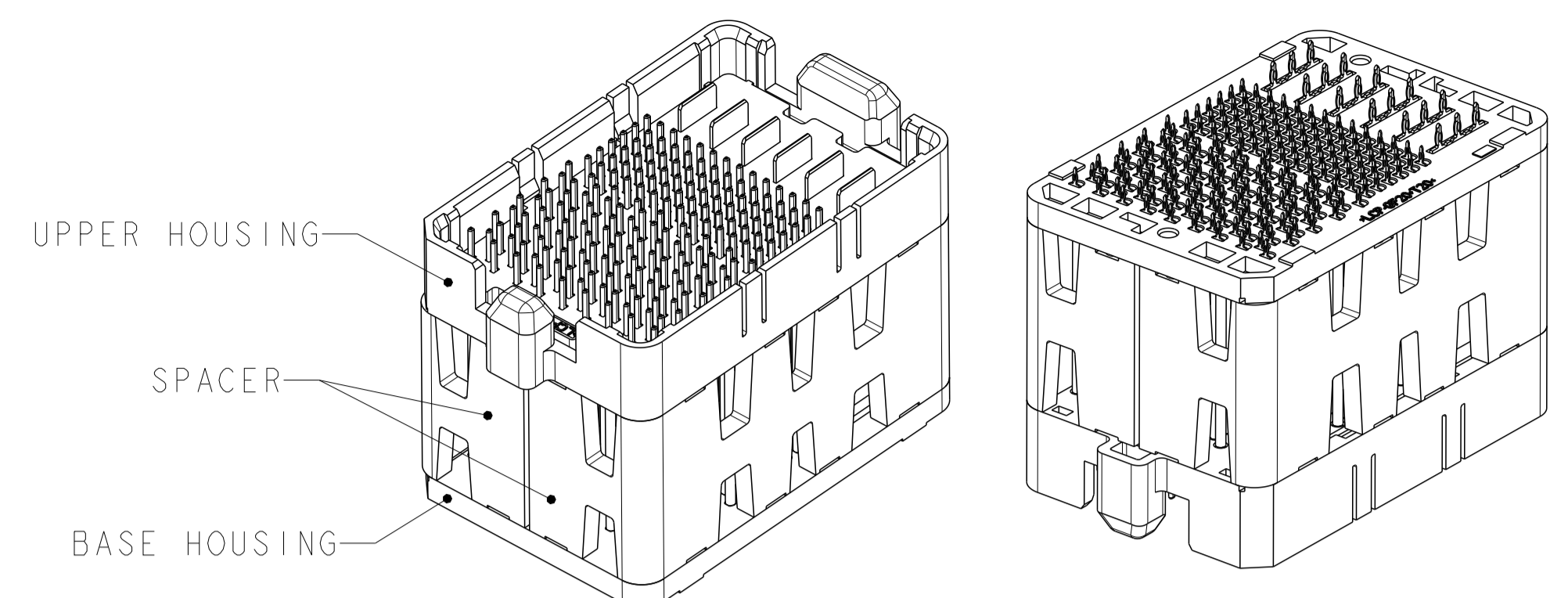
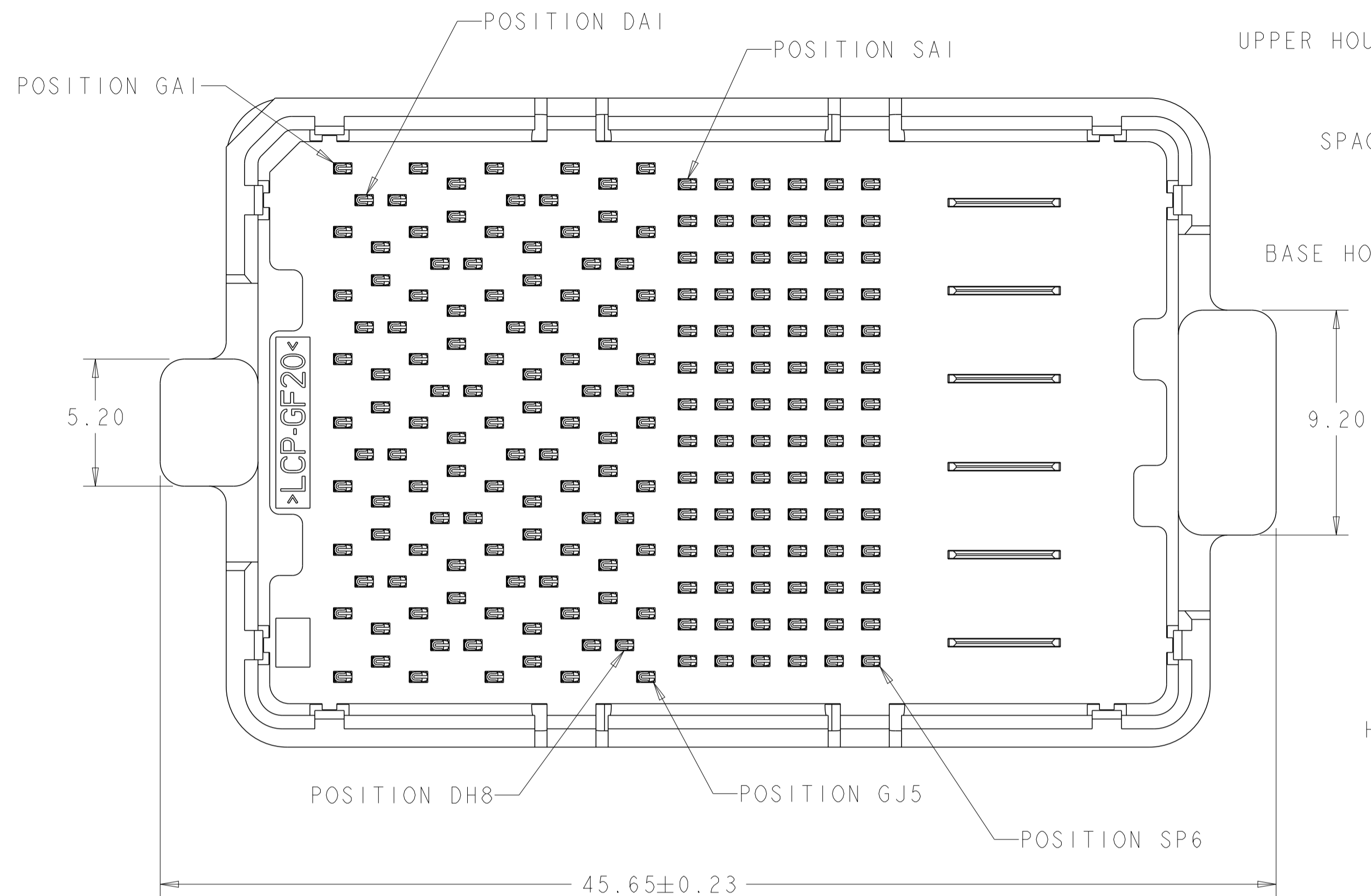
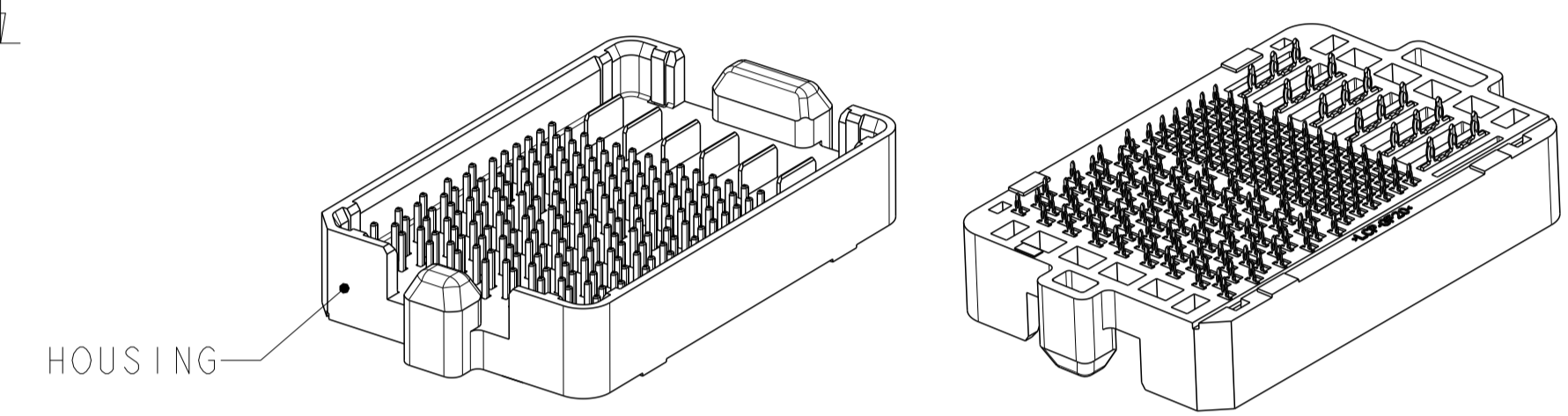


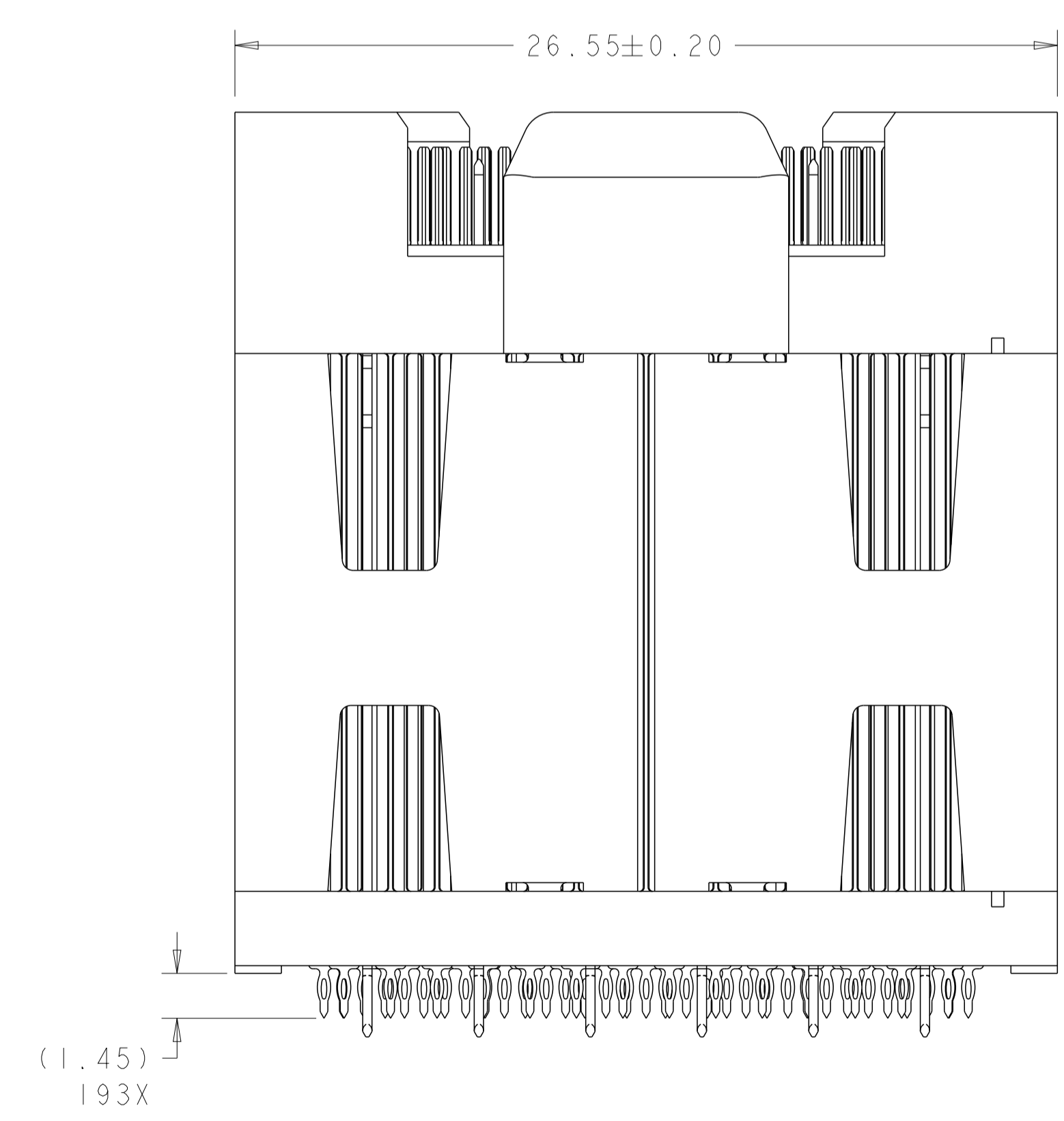
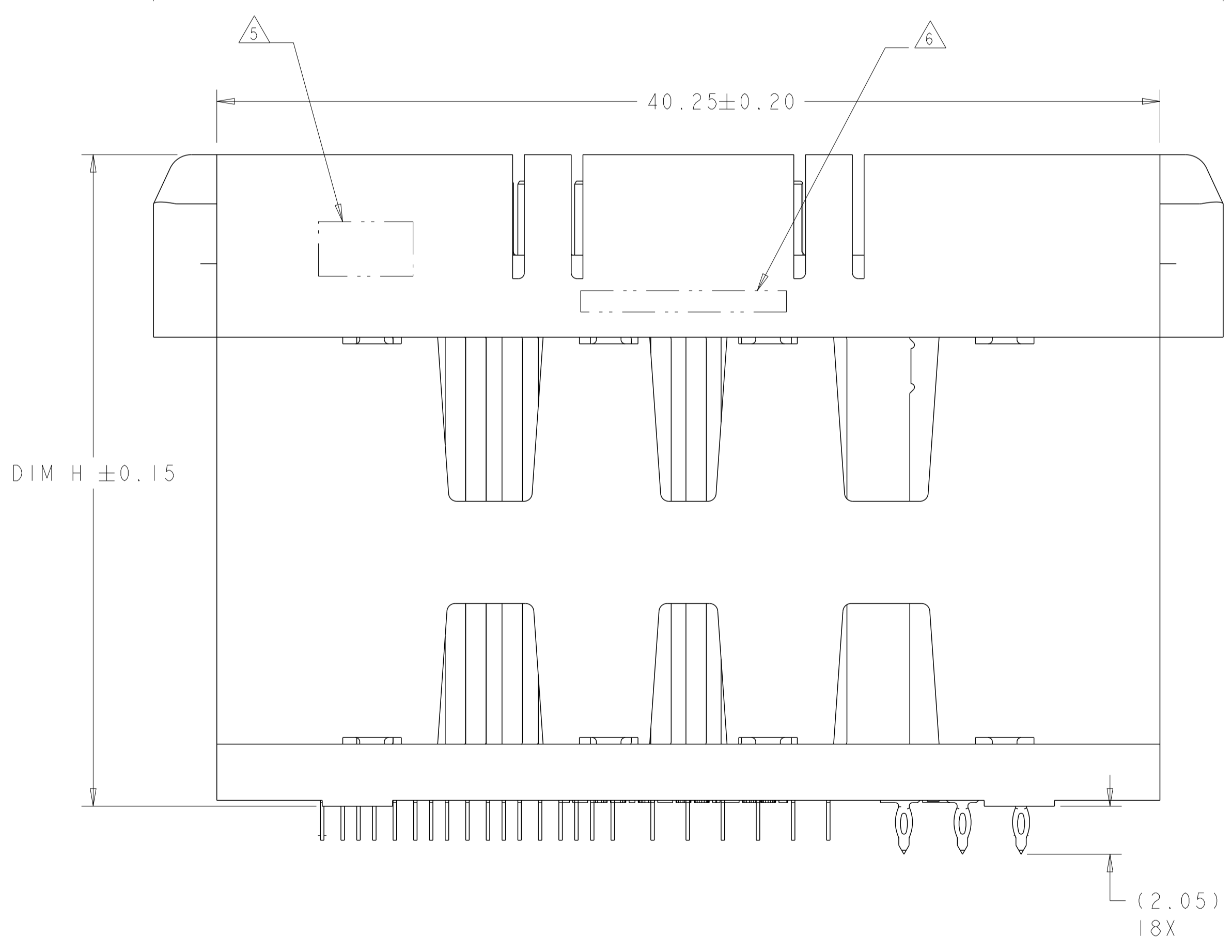
LOC	DIST	REVISIONS					
GP	00	P	LYR	DESCRIPTION	DATE	DWN	APVD
		A1		REVISED PER ECO-12-017494	10OCT2012	KH	MH



ISOMETRIC VIEW  
TYPICAL CONFIGURATION FOR 14mm THRU 42mm  
28mm SHOWN  
SCALE 2:1



ISOMETRIC VIEW  
TYPICAL CONFIGURATION FOR 8mm THRU 13mm  
8mm SHOWN  
SCALE 2:1



- 1 MATERIAL:  
BASE HOUSING, UPPER HOUSING, ORGANIZER,  
AND SPACER: THERMOPLASTIC, FLAMMABILITY  
RATING UL94-V0  
CONTACT: COPPER ALLOY
- 2. CONFORMS TO THE REQUIREMENTS OF TE PRODUCT  
SPECIFICATION, 108-2375; BASED ON TELCORDIA  
GR-1217-CORE FOR SYSTEM QUALITY LEVEL III,  
APPLICATIONS IN CONTROLLED ENVIRONMENTS  
(CENTRAL OFFICE).  
SEE TE PRODUCT SPECIFICATION 108-2375 FOR  
TEST SEQUENCES.
- 3 ROWS GA THRU GJ (SHOWN DARKENED) ARE TYPICALLY  
USED AS GROUNDS.
- 4 SPECIFIED POSITIONAL TOLERANCE DEFINES HOLE TO  
HOLE LOCATION WITHIN HOLE PATTERN. POSITIONAL  
TOLERANCE OF HOLE PATTERN TO FIDUCIAL MARKS  
OR PCB DATUMS SHALL BE DEFINED BY CUSTOMER.
- 5 AREA RESERVED FOR TE CONNECTIVITY LOGO.
- 6 AREA RESERVED FOR PART NUMBER (X-XXXXXXX-X)  
AND DATE CODE (YYWW).
- 7 USE CENTERLINES INDICATED ON PCB HOLE PATTERN  
TO ESTABLISH ALIGNMENT BETWEEN HEADER AND  
RECEPTACLE BOARDS.
- 8 PLATED THROUGH HOLE REQUIREMENTS - SIGNAL:  
HOLE SIZE PRIOR TO PLATING =  $\varnothing 0.420 \pm 0.013$   
COPPER PLATING THICKNESS =  $0.038 \pm 0.013$   
CALCULATED FINISHED HOLE SIZE =  $\varnothing 0.344 \pm 0.039$   
THESE DIMENSIONS APPLY TO THE TOP 1.25mm OF  
THE PCB THICKNESS FROM THE CONNECTOR MOUNTING  
SIDE.
- 9 PLATED THROUGH HOLE REQUIREMENTS - POWER:  
HOLE SIZE PRIOR TO PLATING =  $\varnothing 0.700 \pm 0.025$   
COPPER PLATING THICKNESS =  $0.038 \pm 0.013$   
CALCULATED FINISHED HOLE SIZE =  $\varnothing 0.624 \pm 0.051$   
THESE DIMENSIONS APPLY TO THE TOP 1.50mm OF  
THE PCB THICKNESS FROM THE CONNECTOR MOUNTING  
SIDE.
- 10 CONTACT SALES FOR AVAILABILITY OF THIS STACK  
HEIGHT.

**SIZE 2 HOUSING W/ GUIDE POSTS \***  
**32 DIFFERENTIAL PAIRS**  
**84 HIGH-DENSITY GRID**  
**193 TOTAL SIGNAL CONTACTS**  
**6 POWER CONTACTS**

\* SIZE 1 AND SIZE 3 ARE ALSO AVAILABLE

THIS DRAWING IS A CONTROLLED DOCUMENT.		DWN D. RINGLER 05SEP2008	TE Connectivity
DIMENSIONS:		CHK D. TROUT 05SEP2008	
TOLERANCES UNLESS OTHERWISE SPECIFIED:		APVD J. FEEDER 05SEP2008	NAME HEADER ASSEMBLY 32/84/6P STRADA MESA MEZZANINE CONNECTOR
mm	0 PLC ±	PRODUCT SPEC	SIZE 108-2375
	2 PLC ±0.13	APPLICATION SPEC	RESTRICTED TO
	3 PLC ±0.013	114-13249	A1 00779 C=2057470
	4 PLC ±	WEIGHT	SCALE 6:1 SHEET 1 OF 4 REV A1
	ANGLES ±1	Customer Drawing	
MATERIAL	FINISH		

THIS DRAWING IS UNPUBLISHED. RELEASED FOR PUBLICATION 20  
 © COPYRIGHT 20 BY - ALL RIGHTS RESERVED.

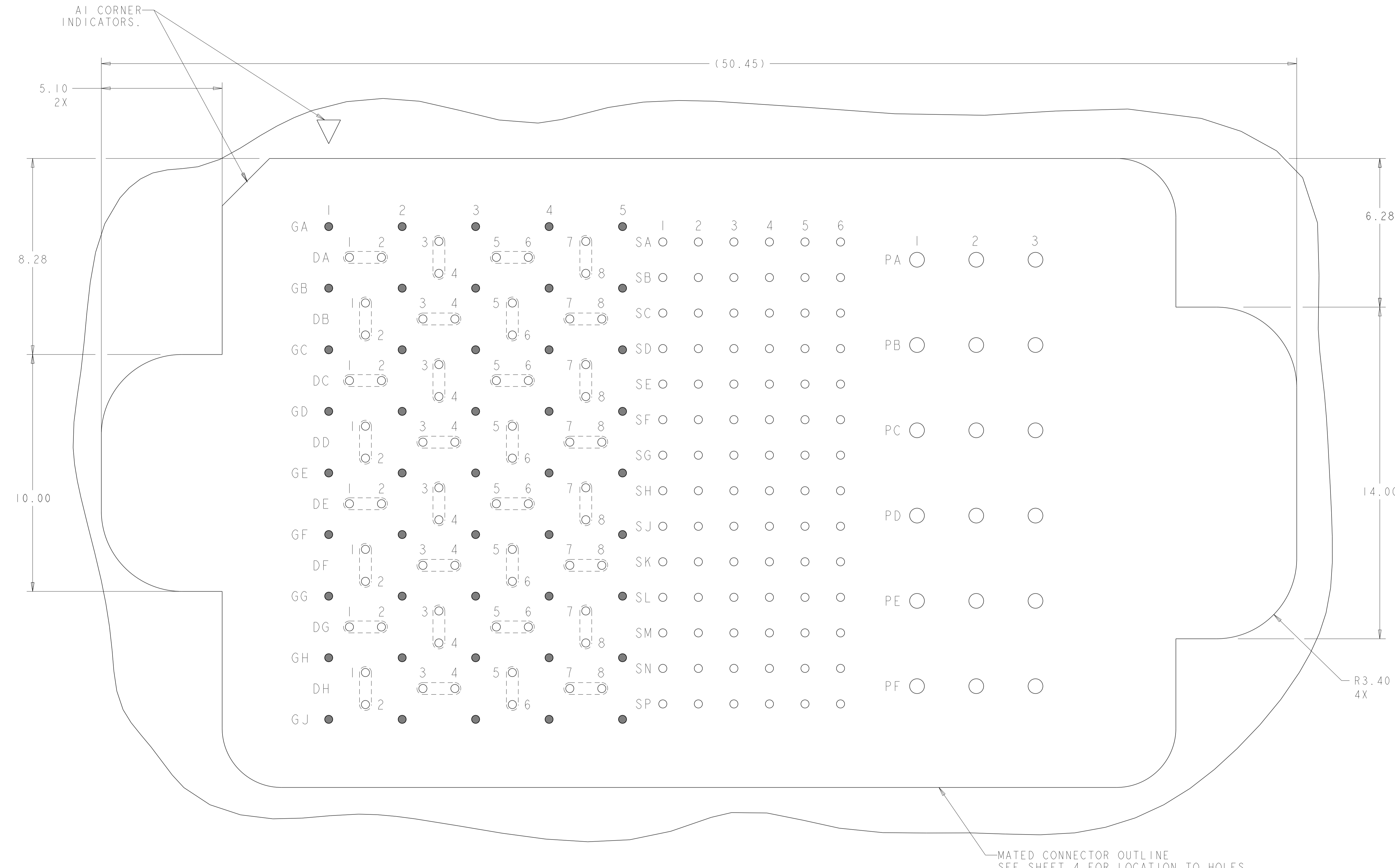
LOC	DIST	REVISIONS					
GP	00	P	LYN	DESCRIPTION	DATE	OWN	APVD
		-		SEE SHEET 1			

	41.8	42mm	MATTE Sn	9-2057470-2
	40.8	41mm	MATTE Sn	9-2057470-1
YES	39.8	40mm	MATTE Sn	9-2057470-0
	38.8	39mm	MATTE Sn	8-2057470-9
	37.8	38mm	MATTE Sn	8-2057470-8
	36.8	37mm	MATTE Sn	8-2057470-7
	35.8	36mm	MATTE Sn	8-2057470-6
	34.8	35mm	MATTE Sn	8-2057470-5
	33.8	34mm	MATTE Sn	8-2057470-4
	32.8	33mm	MATTE Sn	8-2057470-3
	31.8	32mm	MATTE Sn	8-2057470-2
	30.8	31mm	MATTE Sn	8-2057470-1
	29.8	30mm	MATTE Sn	8-2057470-0
	28.8	29mm	MATTE Sn	7-2057470-9
YES	27.8	28mm	MATTE Sn	7-2057470-8
	26.8	27mm	MATTE Sn	7-2057470-7
	25.8	26mm	MATTE Sn	7-2057470-6
	24.8	25mm	MATTE Sn	7-2057470-5
	23.8	24mm	MATTE Sn	7-2057470-4
YES	22.8	23mm	MATTE Sn	7-2057470-3
	21.8	22mm	MATTE Sn	7-2057470-2
	20.8	21mm	MATTE Sn	7-2057470-1
	19.8	20mm	MATTE Sn	7-2057470-0
	18.8	19mm	MATTE Sn	6-2057470-9
	17.8	18mm	MATTE Sn	6-2057470-8
	16.8	17mm	MATTE Sn	6-2057470-7
	15.8	16mm	MATTE Sn	6-2057470-6
	14.8	15mm	MATTE Sn	6-2057470-5
	13.8	14mm	MATTE Sn	6-2057470-4
	12.8	13mm	MATTE Sn	6-2057470-3
	11.8	12mm	MATTE Sn	6-2057470-2
YES	10.8	11mm	MATTE Sn	6-2057470-1
	9.8	10mm	MATTE Sn	6-2057470-0
	8.8	9mm	MATTE Sn	5-2057470-9
	7.8	8mm	MATTE Sn	5-2057470-8
TOOLED	DIM H	STACK HEIGHT	CONTACT TAIL PLATING	PART NUMBER


	41.8	42mm	Sn/Pb	4-2057470-2
	40.8	41mm	Sn/Pb	4-2057470-1
YES	39.8	40mm	Sn/Pb	4-2057470-0
	38.8	39mm	Sn/Pb	3-2057470-9
	37.8	38mm	Sn/Pb	3-2057470-8
	36.8	37mm	Sn/Pb	3-2057470-7
	35.8	36mm	Sn/Pb	3-2057470-6
	34.8	35mm	Sn/Pb	3-2057470-5
	33.8	34mm	Sn/Pb	3-2057470-4
	32.8	33mm	Sn/Pb	3-2057470-3
	31.8	32mm	Sn/Pb	3-2057470-2
	30.8	31mm	Sn/Pb	3-2057470-1
	29.8	30mm	Sn/Pb	3-2057470-0
	28.8	29mm	Sn/Pb	2-2057470-9
YES	27.8	28mm	Sn/Pb	2-2057470-8
	26.8	27mm	Sn/Pb	2-2057470-7
	25.8	26mm	Sn/Pb	2-2057470-6
	24.8	25mm	Sn/Pb	2-2057470-5
	23.8	24mm	Sn/Pb	2-2057470-4
YES	22.8	23mm	Sn/Pb	2-2057470-3
	21.8	22mm	Sn/Pb	2-2057470-2
	20.8	21mm	Sn/Pb	2-2057470-1
	19.8	20mm	Sn/Pb	2-2057470-0
	18.8	19mm	Sn/Pb	1-2057470-9
	17.8	18mm	Sn/Pb	1-2057470-8
	16.8	17mm	Sn/Pb	1-2057470-7
	15.8	16mm	Sn/Pb	1-2057470-6
	14.8	15mm	Sn/Pb	1-2057470-5
	13.8	14mm	Sn/Pb	1-2057470-4
	12.8	13mm	Sn/Pb	1-2057470-3
	11.8	12mm	Sn/Pb	1-2057470-2
YES	10.8	11mm	Sn/Pb	1-2057470-1
	9.8	10mm	Sn/Pb	1-2057470-0
	8.8	9mm	Sn/Pb	2057470-9
	7.8	8mm	Sn/Pb	2057470-8
TOOLED	DIM H	STACK HEIGHT	CONTACT TAIL PLATING	PART NUMBER

THIS DRAWING IS A CONTROLLED DOCUMENT.		OWN D. RINGLER 05SEP2008	TE Connectivity <b>STE</b>
DIMENSIONS: mm		CHK D. TROUT 05SEP2008	
TOLERANCES UNLESS OTHERWISE SPECIFIED:		APVD J. FEEDER 05SEP2008	NAME HEADER ASSEMBLY
0 PLC ± 1 PLC ±0.13 2 PLC ±0.013 3 PLC ± 4 PLC ± ANGLES ±1 FINISH		PRODUCT SPEC 108-2375	STRADA MESA MEZZANINE CONNECTOR
MATERIAL		APPLICATION SPEC 114-13249	SIZE CAGE CODE DRAWING NO A100779C=2057470
		WEIGHT	RESTRICTED TO Customer Drawing
		SCALE 6:1	SHEET 2 OF 4 REV A1

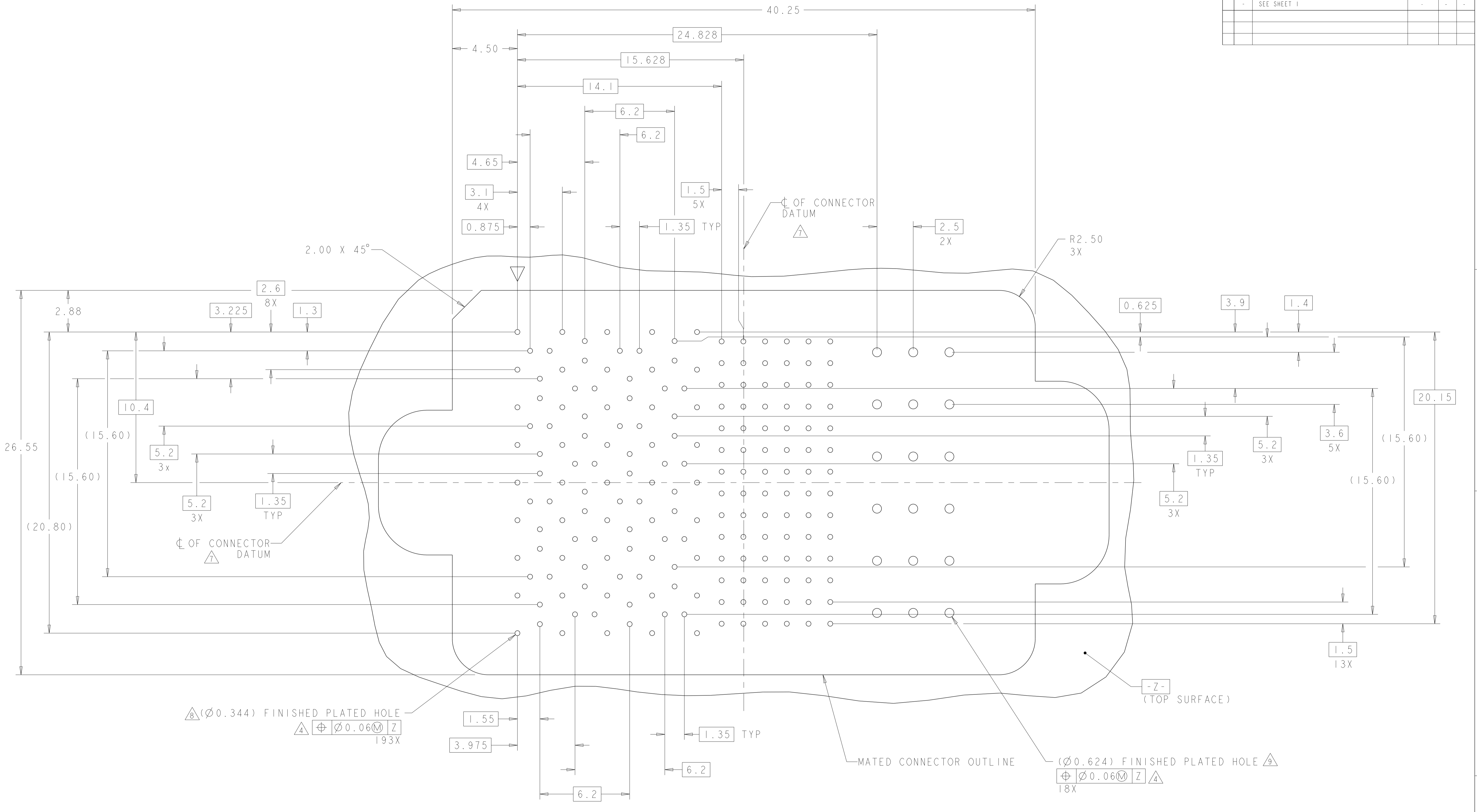
LOC	DIST	REVISIONS			
P	LTN	DESCRIPTION	DATE	DWN	APVD
-	-	SEE SHEET 1	-	-	-



**PCB LAYOUT AND PIN IDENTIFICATION**   
 SHOWN FROM CONNECTOR SIDE  
 SCALE 12:1

THIS DRAWING IS A CONTROLLED DOCUMENT.		DWN D. RINGLER 05SEP2008	 TE Connectivity
DIMENSIONS:		CHK D. TROUT 05SEP2008	
mm	TOLERANCES UNLESS OTHERWISE SPECIFIED:	APVD J. FEEDER 05SEP2008	NAME HEADER ASSEMBLY 32/84/6P
0 PLC ±	1 PLC ±0.13	PRODUCT SPEC	APPLICATION SPEC
2 PLC ±0.13	3 PLC ±0.013	108-2375	114-13249
4 PLC ±	ANGLES ±1	114-13249	114-13249
MATERIAL	FINISH	WEIGHT	RESTRICTED TO
-	-	-	A100779C=2057470
Customer Drawing		SCALE 6:1	SHEET 3 OF 4 REV A1

LOC	DIST	REVISIONS					
GP	00	P	LTN	DESCRIPTION	DATE	OWN	APVD
		-		SEE SHEET 1			



**PCB HOLE PATTERN**  
 SHOWN FROM CONNECTOR SIDE  
 SCALE 8:1

△(∅0.344) FINISHED PLATED HOLE  
 4 ⊕ ∅0.06 M Z 193X

∅0.624) FINISHED PLATED HOLE △  
 ⊕ ∅0.06 M Z 4 18X

THIS DRAWING IS A CONTROLLED DOCUMENT.		OWN D. RINGLER 05SEP2008	TE Connectivity
DIMENSIONS: mm		CHK D. TROUT 05SEP2008	
TOLERANCES UNLESS OTHERWISE SPECIFIED:		APVD J. FEDDER 05SEP2008	NAME HEADER ASSEMBLY 32/84/6P STRADA MESA MEZZANINE CONNECTOR
0 PLC ± 1 PLC ± 2 PLC ±0.13 3 PLC ±0.013 4 PLC ± ANGLES ±1		PRODUCT SPEC 108-2375	RESTRICTED TO
MATERIAL		APPLICATION SPEC 114-13249	SIZE CAGE CODE DRAWING NO A100779C=2057470
		WEIGHT	SCALE 6:1 SHEET 4 OF 4 REV A1
		Customer Drawing	

## X-ON Electronics

Largest Supplier of Electrical and Electronic Components

*Click to view similar products for [Board to Board & Mezzanine Connectors](#) category:*

*Click to view products by [TE Connectivity](#) manufacturer:*

Other Similar products are found below :

[10135583-642402LF](#) [89885-310LF](#) [589158040000018](#) [6-1393048-0](#) [68683-613](#) [MDF7-12DP-2.54DSA](#) [MDF7-18P-2.54DSA\(01\)](#) [MDF7-20DP-2.54DSA](#) [MDF7-26D-2.54DSA\(55\)](#) [MDF7-3P-2.54DSA\(01\)](#) [MDF7B-3P-2.54DSA\(55\)](#) [MDF7C-11P-2.54DSA\(55\)](#) [MDF7C-18P-2.54DSA\(55\)](#) [MDF7C-5P-2.54DSA\(01\)](#) [MDF7P-5P-2.54DSA\(55\)](#) [75234-0516](#) [FCN-230C068-11](#) [FCN-268F012-G/BD](#) [FCN-268F036-G/BD](#) [FCN-268M012-G/0D](#) [FCN-268M024-G/1D](#) [FCN-360C008-C](#) [FCN-360C040-C](#) [FCN-723J004/1](#) [MIS-048-01-F-D-DP-K](#) [832-10-034-10-001000](#) [93696-325LF](#) [11828-1FA](#) [AXK630345P](#) [18097-0013](#) [ICA-328STT](#) [2007042-2](#) [304400-2](#) [FCN-214Q030-G/0](#) [FCN-215Q040-G/0](#) [FCN-230C068-ESA](#) [FCN-234P048-G/0](#) [FCN-235D050-G/C](#) [FCN-360A3](#) [FCN-360C040-B](#) [210-93-314-41-105000](#) [2-22603-0](#) [379-064-521-202](#) [MDF7-12P-2.54DSA\(01\)](#) [MDF7-16P-2.54DS\(56\)](#) [MDF7-40DP-2.54DSA\(55\)](#) [MDF7-8P-2.54DSA\(55\)](#) [MDF7B-16P-2.54DSA\(55\)](#) [AXG720047](#) [5031084030](#)