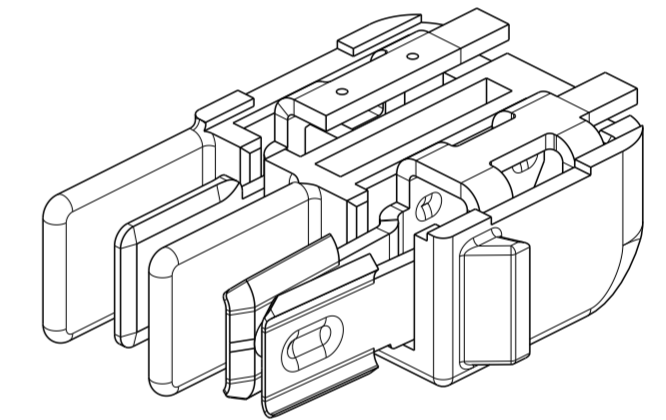
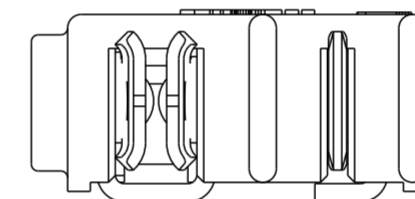
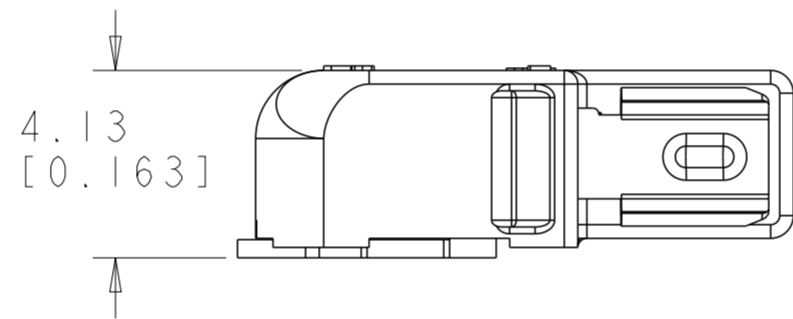
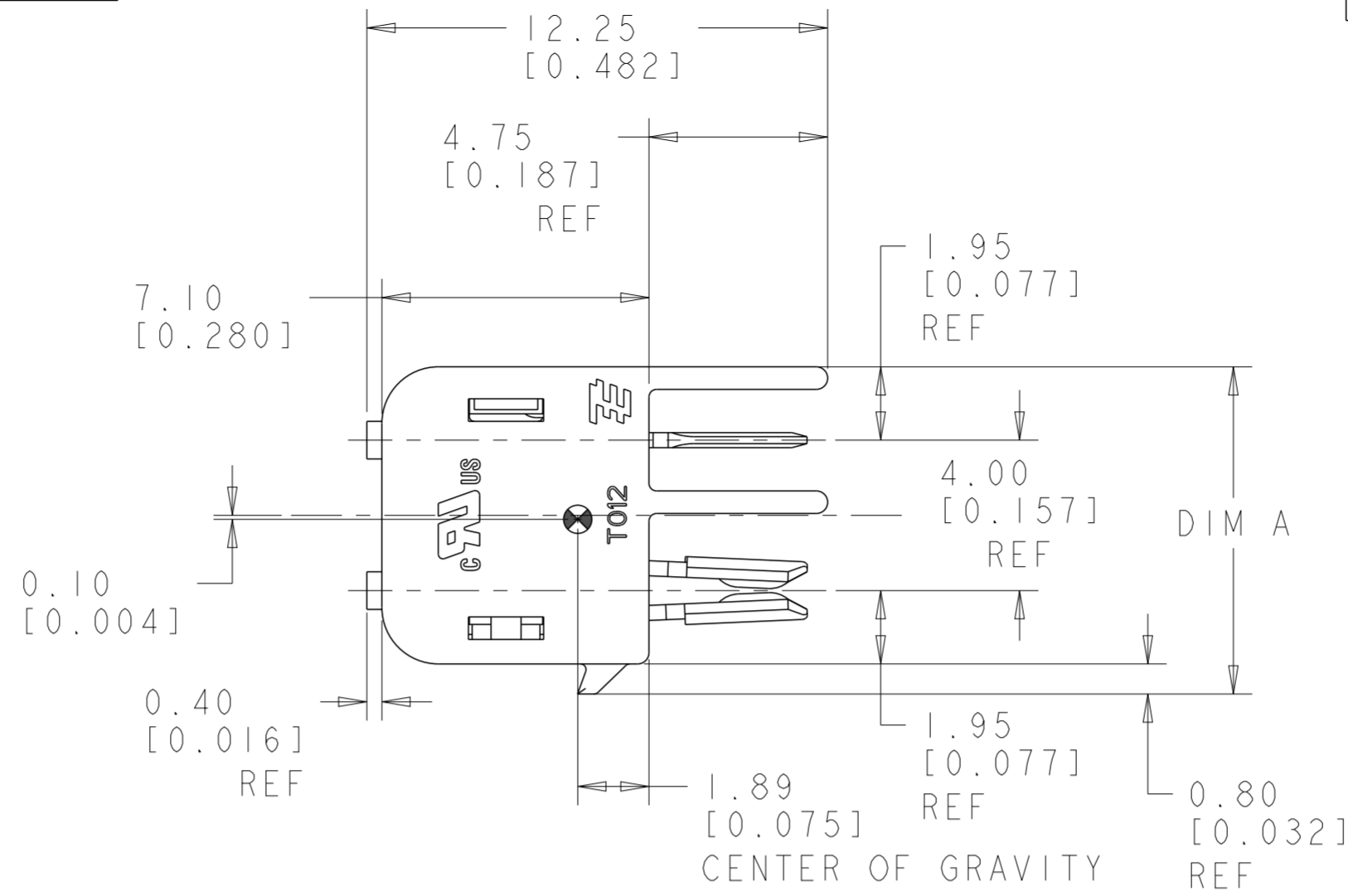


THIS DRAWING IS UNPUBLISHED. RELEASED FOR PUBLICATION 20
 © COPYRIGHT 20 BY - ALL RIGHTS RESERVED.

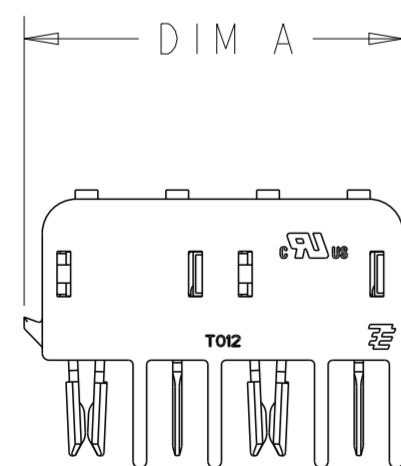
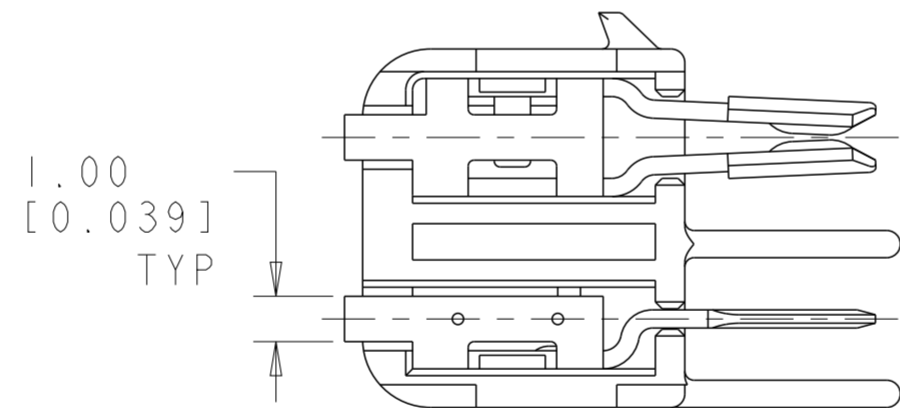
LOC		DIST		REVISIONS			
P	LTR	DESCRIPTION	DATE	DWN	APVD		
B1		REVISED PER ECO-11-004587	11MAR2011	RK	HMR		
B2		REVISED PER ECR-11-015323	29JUL2011	RK	DD		
B3		REVISED PER ECR-14-017492	25NOV2014	RS	DD		

NOTES:

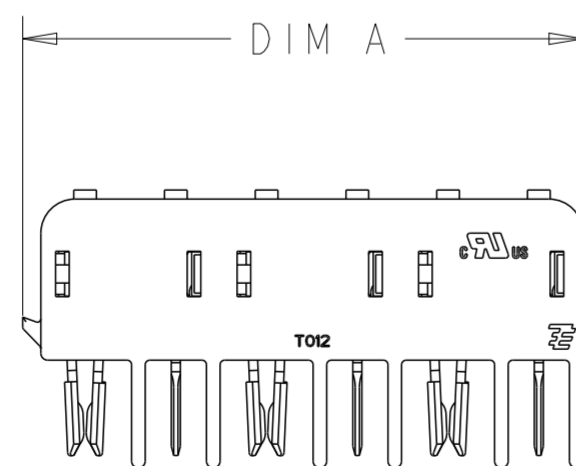
- 1. MATERIALS AND FINISH
 - HOUSING: LCP
 - CONTACTS: COPPER ALLOY, FINISH: TIN
- 2. PRODUCT TO COMPLY WITH DIRECTIVE 2002/95/EC (ROHS)
- 3. PACKAGED IN TAPE AND REEL PER EIA-481 SPECIFICATIONS
- 4. SEE APPLICATION SPECIFICATION 114-13225 FOR THE TE APPLICATION REQUIREMENTS.



2058703-1/
1-2058703-1
SHOWN



2058703-2/
1-2078503-2
SCALE 3:1



2058703-3/
1-2078503-3
SCALE 3:1

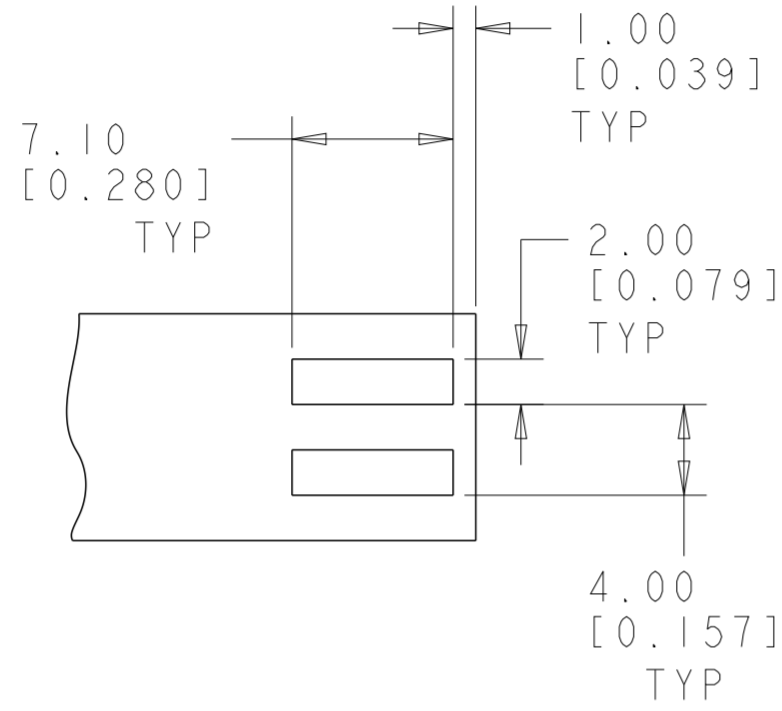
POSITION	COLOR	DIM A	PART NO.
6	BLACK	24.70	1-2058703-3
4	BLACK	16.70	1-2058703-2
2	BLACK	8.70	1-2058703-1
6	NATURAL	24.70	2058703-3
4	NATURAL	16.70	2058703-2
2	NATURAL	8.70	2058703-1

THIS DRAWING IS A CONTROLLED DOCUMENT.

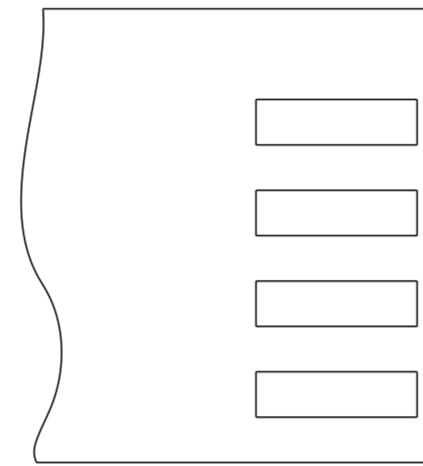
DIMENSIONS:	TOLERANCES UNLESS OTHERWISE SPECIFIED:	DWN S FISHER 18AUG2008	STE TE Connectivity	
mm	0 PLC ± 1 PLC ± 2 PLC ±0.13 3 PLC ±0.013 4 PLC ± ANGLES ±1° FINISH	CHK R NARANG 18AUG2008		
MATERIAL		APVD -	NAME	
		PRODUCT SPEC 108-2342	CONNECTOR ASSEMBLY, HERMAPHRODITIC BLADE AND RECEPTACLE, WITH LATCH	
		APPLICATION SPEC 114-13225	SIZE	RESTRICTED TO
		WEIGHT -	A200779	
		CUSTOMER DRAWING	DRAWING NO C-2058703	
			SCALE 6:1	SHEET 1 OF 2
				REV B3

THIS DRAWING IS UNPUBLISHED. RELEASED FOR PUBLICATION 20
 © COPYRIGHT 20 BY - ALL RIGHTS RESERVED.

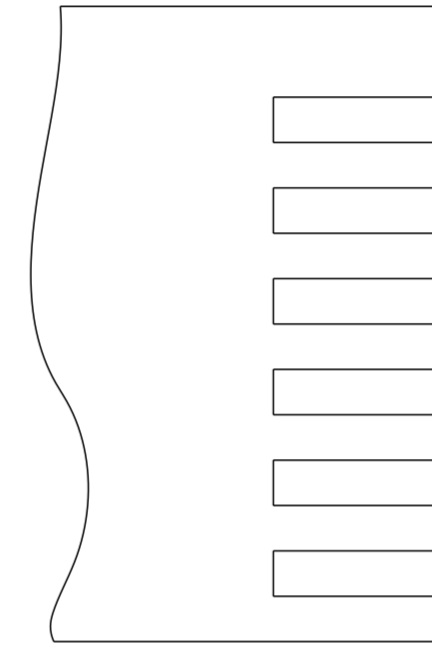
LOC		DIST		REVISIONS			
P	LTR	DESCRIPTION	DATE	DWN	APVD		
-	-	SEE SHEET 1	-	-	-		



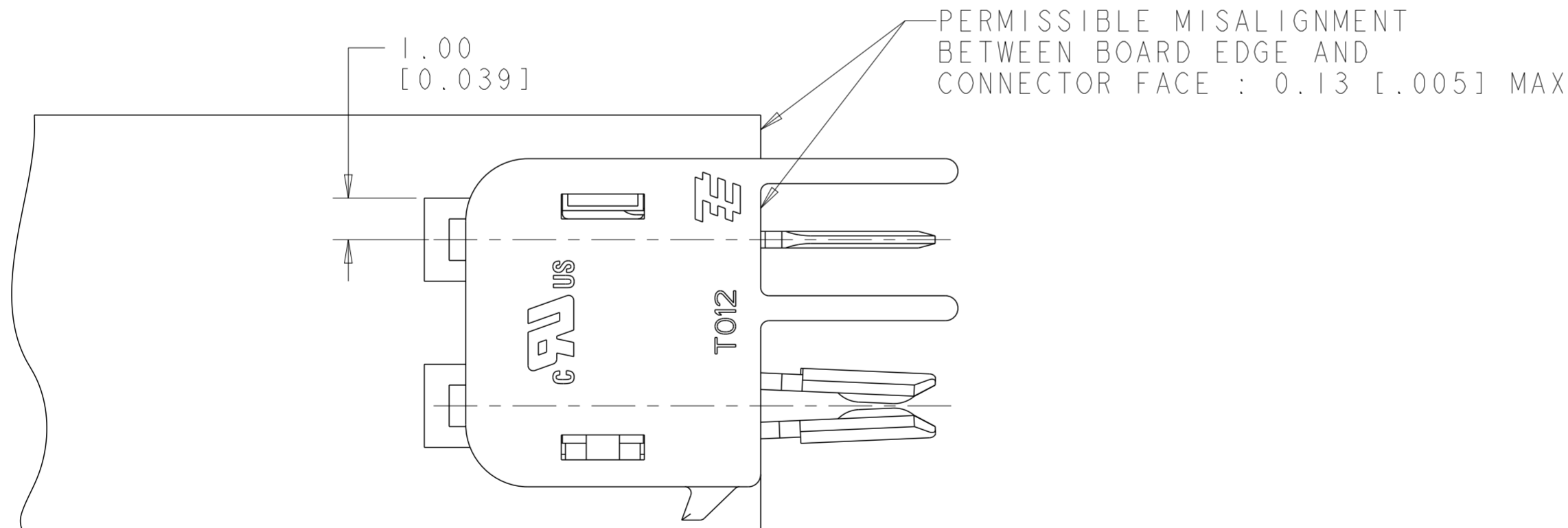
RECOMMENDED PCB LAYOUT FOR 2058703-1 & 1-2058703-1



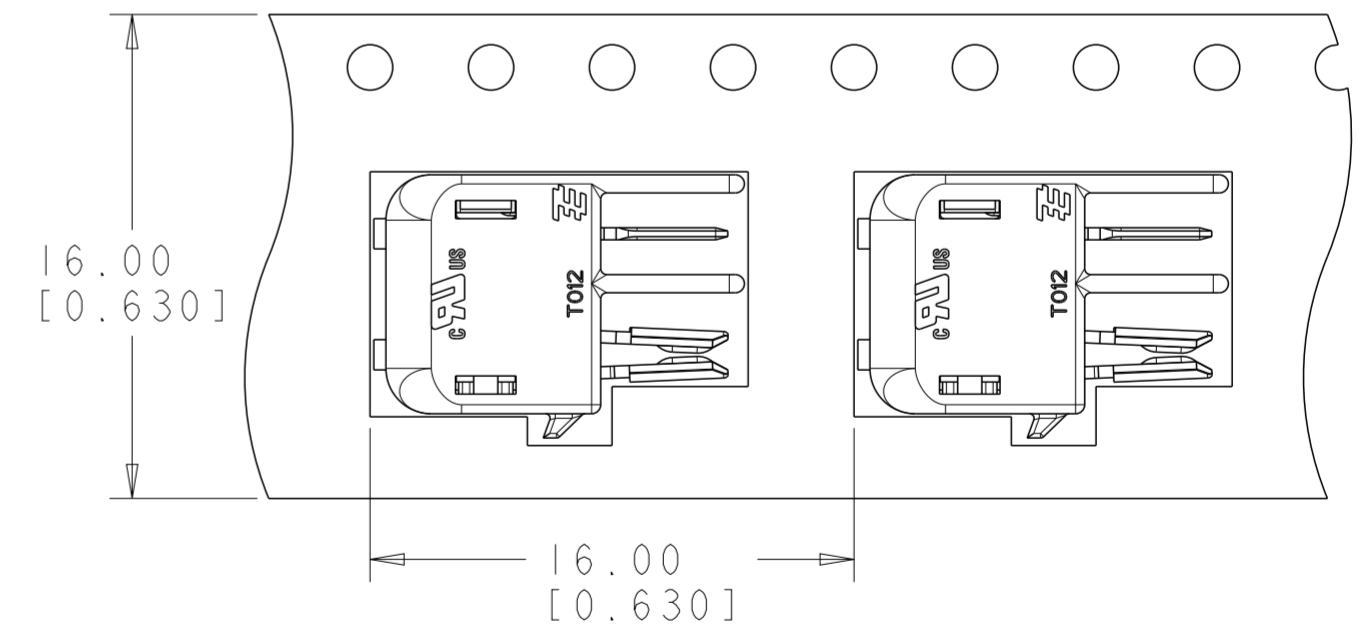
RECOMMENDED PCB LAYOUT FOR 2058703-2 & 1-2058703-2



RECOMMENDED PCB LAYOUT FOR 2058703-3 & 1-2058703-3



SCALE 8:1



TO BE PACKAGED AS SHOWN SCALE 4:1

THIS DRAWING IS A CONTROLLED DOCUMENT.		DWN S FISHER 18AUG2008	STE TE Connectivity	
		CHK R NARANG 18AUG2008		
DIMENSIONS:	TOLERANCES UNLESS OTHERWISE SPECIFIED:	APVD -	NAME	
mm	0 PLC ± 1 PLC ± 2 PLC ±0.13 3 PLC ±0.013 4 PLC ± ANGLES ±1° FINISH	PRODUCT SPEC 108-2342	CONNECTOR ASSEMBLY, HERMAPHRODITIC BLADE AND RECEPTACLE, WITH LATCH	
MATERIAL		APPLICATION SPEC 114-13225	SIZE A2	CAGE CODE 00779
		WEIGHT -	DRAWING NO C-2058703	RESTRICTED TO -
		CUSTOMER DRAWING	SCALE 6:1	SHEET 2 OF 2 REV B3

X-ON Electronics

Largest Supplier of Electrical and Electronic Components

Click to view similar products for [Lighting Connectors](#) category:

Click to view products by [TE Connectivity](#) manufacturer:

Other Similar products are found below :

[293300-7](#) [293660-5](#) [CNX_H03_NTP](#) [30-9767-BU](#) [3605](#) [3-21030-1](#) [ZCH-110-RGB-I](#) [503471-0290](#) [ZCH-110-RGB-J](#) [217-0716-200](#)
[1954563-1](#) [1-293657-2](#) [2834036-1](#) [2834037-1](#) [1-2213222-4](#) [2-2213222-4](#) [2213222-4](#) [2834122-3](#) [2834122-5](#) [2834135-2](#) [FLA-R4142-30](#)
[FLA-R4162-30](#) [FLA-R2142-30](#) [FLA-R2141-30](#) [FLA-R2162-30](#) [FLA-R2161-30](#) [FLA-R0161-30](#) [FLA-R0141-30](#) [FLA-R0142-30](#) [FLA-](#)
[R0162-30](#) [FLA-C00-00](#) [DGA00010553](#) [CNXV04NTP](#) [104128-0610](#) [503485-0000 \(Cut Strip\)](#) [503485-0000 \(Loose Piece\)](#) [503485-0000](#)
[\(MINI Reel\)](#) [1-2834074-2](#) [1-2834074-3](#) [1357-AC PLUG W2C \(CHINA\)](#) [1357-AC PLUG W2 \(USA\)](#) [104266-0110](#) [2106212-1](#) [2-2834074-2](#)
[104266-0210](#) [293470-1](#) [293651-2](#) [293651-4](#) [1-2834006-2](#) [293651-1](#)