

THIS DRAWING IS UNPUBLISHED.

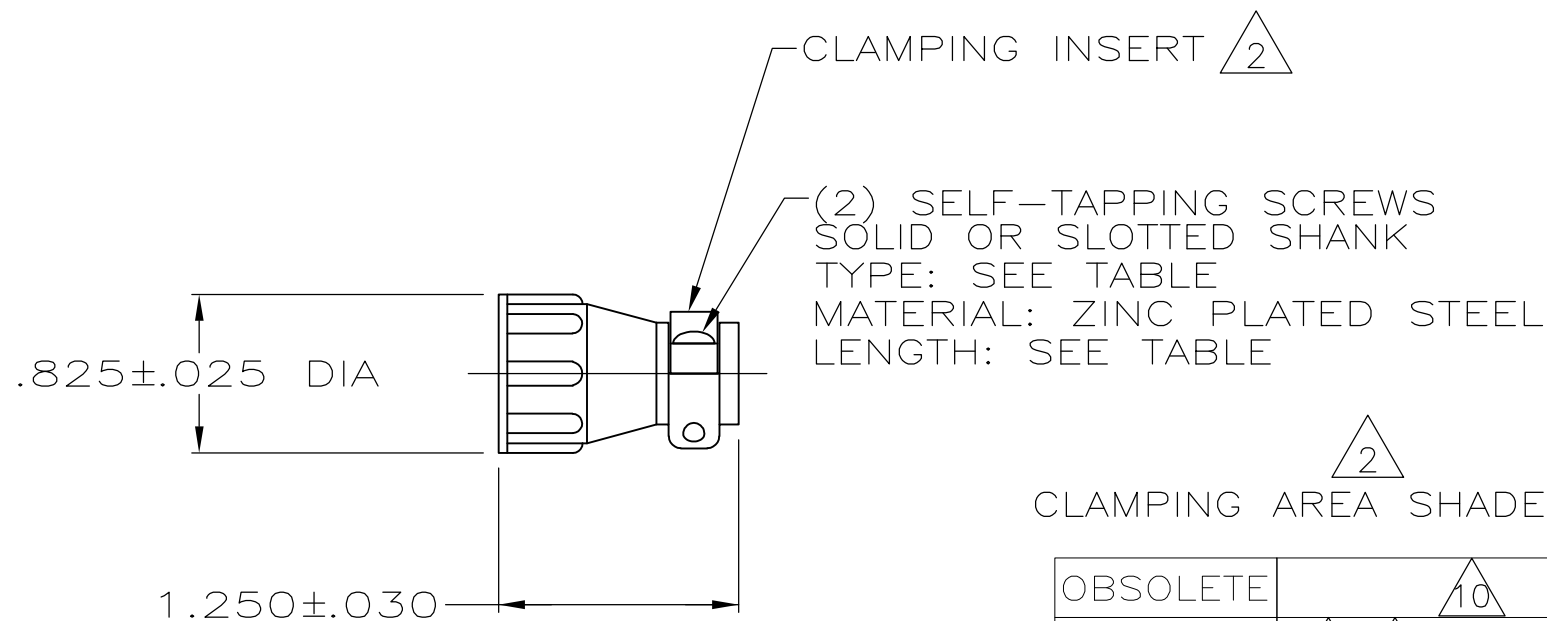
RELEASED FOR PUBLICATION

ALL RIGHTS RESERVED.

© COPYRIGHT - By -

REVISIONS

P	LTR	DESCRIPTION	DATE	DWN	APVD
	V1	REVISED PER ECO-15-002073	06MAY2015	NK	MZ
	W	REVISED PER ECR-16-017870	20APR2017	BDA	MZ



- 1 PARTS PACKAGED UNASSEMBLED.
- $\triangle 2$  CABLE CLAMPING AREA ADJUSTABLE FROM .004 TO .055 SQ IN BY REVERSING CLAMPING INSERTS.
- 3 .329 MAXIMUM CABLE OUTSIDE DIAMETER.
- $\triangle 4$  BULK PACKAGED KITS TO BE ORDERED IN MULTIPLES OF 800 ONLY.
- $\triangle 5$  OBSOLETE PART NUMBER.
- $\triangle 6$  STAINLESS STEEL (NON MAGNATIC).
- $\triangle 7$  CABLE CLAMP WITH NON-MAGNETIC STAINLESS STEEL SCREWS.
- $\triangle 8$  ZINC PLATED STEEL, NON-HEXAVALENT CHROMATE.

- $\triangle 9$  OBSOLETE PARTS: OBSOLETE CIS STREAMLINING PER D.RENAUD/D.SINISI
- $\triangle 10$  SPECIAL PACKAGING CONSISTING OF 1 KIT PER INDIVIDUAL BAG, 20 INDIVIDUAL BAGS PER LARGER BAG, 5 LARGER BAGS PER SHIPPER BOX.

OBSOLETE	$\triangle 10$		$\triangle 8$	.50 <sup>+</sup> <sub>-.05</sub>	#5-20	2-206062-0
OBSOLETE	$\triangle 7$ $\triangle 4$	BULK	$\triangle 6$	.50 <sup>+</sup> <sub>-.05</sub>	#5-20	1-206062-9
	$\triangle 4$	BULK	$\triangle 8$	.50 <sup>+</sup> <sub>-.05</sub>	#5-20	1-206062-7
		INDIVIDUAL	$\triangle 8$	.38 <sup>+</sup> <sub>-.05</sub>	#5-20	1-206062-6
	$\triangle 4$	BULK	$\triangle 8$	.38 <sup>+</sup> <sub>-.05</sub>	#5-20	1-206062-5
		INDIVIDUAL	$\triangle 8$	.50 <sup>+</sup> <sub>-.05</sub>	#5-20	1-206062-4
		INDIVIDUAL	$\triangle 8$	.62 <sup>+</sup> <sub>-.05</sub>	#5-20	1-206062-3
	$\triangle 7$	INDIVIDUAL	$\triangle 6$	.50 <sup>+</sup> <sub>-.05</sub>	#5-20	1-206062-2
SUPERSEDED BY 1-206062-3		INDIVIDUAL	$\triangle 8$	.62 <sup>+</sup> <sub>-.05</sub>	#5-20	1-206062-1
	$\triangle 9$	OBSOLETE	$\triangle 8$	.38 <sup>+</sup> <sub>-.05</sub>	#5-20	1-206062-0
AMP BRAZIL USE ONLY		INDIVIDUAL		12mm <sup>+</sup> <sub>-.8</sub>	3mm-20	$\triangle 5$ 206062-9
AMP BRAZIL USE ONLY		INDIVIDUAL		10mm <sup>+</sup> <sub>-.8</sub>	3mm-20	$\triangle 5$ 206062-8
SUPERSEDED BY 1-206062-7	$\triangle 4$	BULK	$\triangle 8$	.50 <sup>+</sup> <sub>-.05</sub>	#5-20	206062-4
SUPERSEDED BY 1-206062-4		INDIVIDUAL	$\triangle 8$	.50 <sup>+</sup> <sub>-.05</sub>	#5-20	206062-3
SUPERSEDED BY 1-206062-5	$\triangle 4$	BULK	$\triangle 8$	.38 <sup>+</sup> <sub>-.05</sub>	#5-20	206062-2
SUPERSEDED BY 1-206062-6		INDIVIDUAL	$\triangle 8$	.38 <sup>+</sup> <sub>-.05</sub>	#5-20	206062-1
		PACKAGING		SCREW FINISH	SCREW TYPE	PART NUMBER

THIS DRAWING IS A CONTROLLED DOCUMENT.		DWN	4/29/91		<b>STE</b> TE Connectivity
		CHK	7-22-92		
		APVD	-		
		NAME	W.G.LENKER		
DIMENSIONS: INCHES		TOLERANCES UNLESS OTHERWISE SPECIFIED:		CABLE CLAMP KIT, STANDARD, SHELL SIZE 11, CPC	
		0 PLC	± -	PRODUCT SPEC	
		1 PLC	± -	APPLICATION SPEC	
MATERIAL: THERMOPLASTIC		2 PLC	± -	SIZE	
		3 PLC	± -	CAGE CODE	
		4 PLC	± -	DRAWING NO	
		ANGLES	± -	RESTRICTED TO	
		FINISH	-	A3 00779 C-206062	
				SCALE NTS SHEET 1 OF 1 REV W	
				CUSTOMER DRAWING	

## X-ON Electronics

Largest Supplier of Electrical and Electronic Components

*Click to view similar products for [Standard Circular Connector](#) category:*

*Click to view products by [TE Connectivity](#) manufacturer:*

Other Similar products are found below :

[5M2530B10P](#) [600259N006](#) [600273N007](#) [6134-336-13149](#) [6134-337-11149](#) [6134-337-2390](#) [6134-341-17149](#) [6280-4SG-516](#) [6280-7SG-3DC](#)  
[6290](#) [6291A](#) [66200A-10](#) [680-SMG](#) [681-PMG](#) [CXS3102A14S2P](#) [CXS3102A181S](#) [7251-5SG-300](#) [7271-6SG-300](#) [7282-3PG-300-CH3](#) [75-](#)  
[474618-01S](#) [75-474618-04P](#) [75-474618-04S](#) [799539-000](#) [MI8-SE](#) [805-005-07NF11-19PC](#) [805-005-07NF15-7PA](#) [8280-4PG-516](#) [8280-7PG-](#)  
[519](#) [8282-5PG-519](#) [836783-1](#) [MP-4102-25P-C](#) [862256-1](#) [864019-2](#) [866857-1](#) [867865-1](#) [PT01SP-14-18P](#) [PT08P-14-5S](#) [PTSF06SE-14-12S](#)  
[120-1833-000](#) [QCM019PC2DC012B](#) [1-2069279-1](#) [121583-0217](#) [121667-0020](#) [129591AU](#) [1000B BULK](#) [RD10A16-19-P6CS051/1](#)  
[RD10A20-31-P8CS051/1](#) [RD16A14-12-S6CS051/2](#) [1301240290](#) [1301240347](#) [1301860202](#)