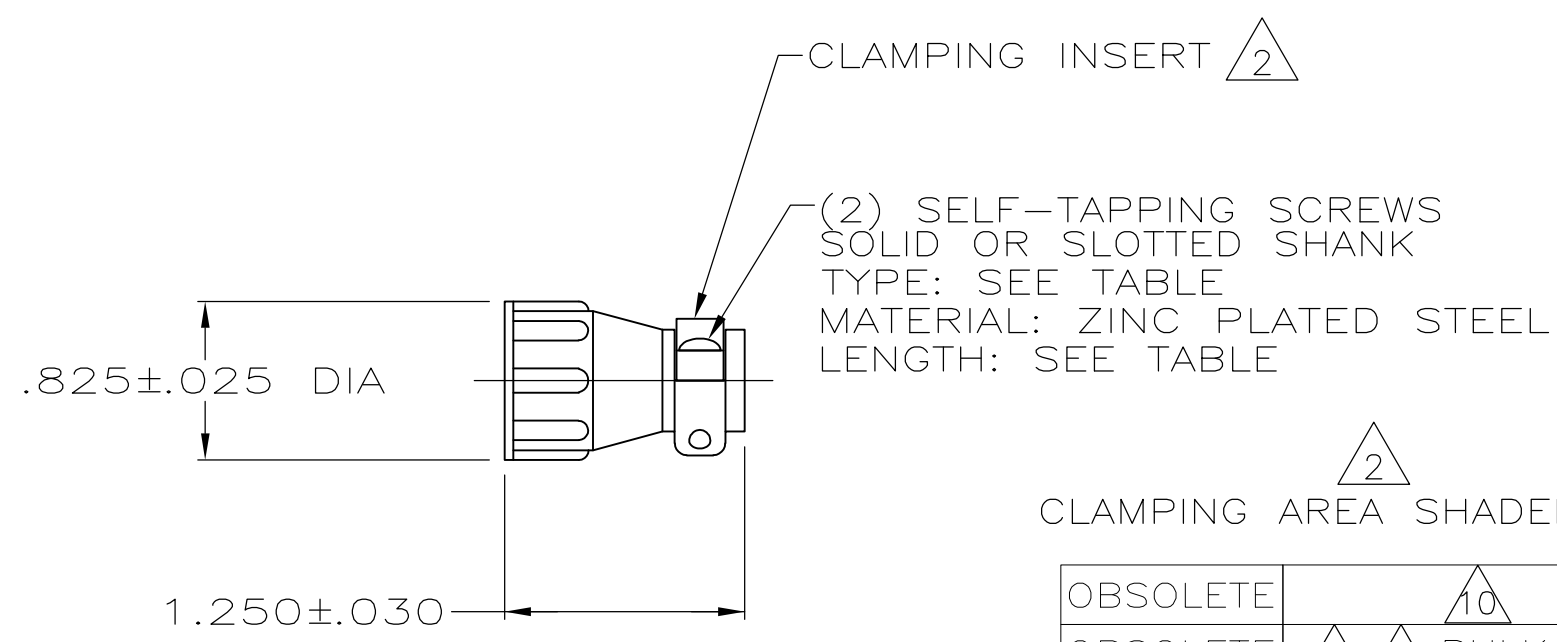


THIS DRAWING IS UNPUBLISHED. RELEASED FOR PUBLICATION
 © COPYRIGHT - By - ALL RIGHTS RESERVED.

P	LTR	DESCRIPTION	DATE	DWN	APVD
	V1	REVISED PER ECO-15-002073	06MAY2015	NK	MZ
	W	REVISED PER ECR-16-017870	20APR2017	BDA	MZ



- 1 PARTS PACKAGED UNASSEMBLED.
- 2 CABLE CLAMPING AREA ADJUSTABLE FROM .004 TO .055 SQ IN BY REVERSING CLAMPING INSERTS.
- 3 .329 MAXIMUM CABLE OUTSIDE DIAMETER.
- 4 BULK PACKAGED KITS TO BE ORDERED IN MULTIPLES OF 800 ONLY.
- 5 OBSOLETE PART NUMBER.
- 6 STAINLESS STEEL (NON MAGNATIC).
- 7 CABLE CLAMP WITH NON-MAGNETIC STAINLESS STEEL SCREWS.
- 8 ZINC PLATED STEEL, NON-HEXAVALENT CHROMATE.

9 OBSOLETE PARTS: OBSOLETE CIS STREAMLINING PER D.RENAUD/D.SINISI
 10 SPECIAL PACKAGING CONSISTING OF 1 KIT PER INDIVIDUAL BAG, 20 INDIVIDUAL BAGS PER LARGER BAG, 5 LARGER BAGS PER SHIPPER BOX.

OBSOLETE	10		8	.50 ⁺ _{-.05}	#5-20	2-206062-0
OBSOLETE	7 4	BULK	6	.50 ⁺ _{-.05}	#5-20	1-206062-9
	4	BULK	8	.50 ⁺ _{-.05}	#5-20	1-206062-7
		INDIVIDUAL	8	.38 ⁺ _{-.05}	#5-20	1-206062-6
	4	BULK	8	.38 ⁺ _{-.05}	#5-20	1-206062-5
		INDIVIDUAL	8	.50 ⁺ _{-.05}	#5-20	1-206062-4
		INDIVIDUAL	8	.62 ⁺ _{-.05}	#5-20	1-206062-3
	7	INDIVIDUAL	6	.50 ⁺ _{-.05}	#5-20	1-206062-2
SUPERSEDED BY 1-206062-3		INDIVIDUAL	8	.62 ⁺ _{-.05}	#5-20	1-206062-1
	9	OBSOLETE	8	.38 ⁺ _{-.05}	#5-20	1-206062-0
AMP BRAZIL USE ONLY		INDIVIDUAL		12mm ⁺ _{-.8}	3mm-20	5 206062-9
AMP BRAZIL USE ONLY		INDIVIDUAL		10mm ⁺ _{-.8}	3mm-20	5 206062-8
SUPERSEDED BY 1-206062-7	4	BULK	8	.50 ⁺ _{-.05}	#5-20	206062-4
SUPERSEDED BY 1-206062-4		INDIVIDUAL	8	.50 ⁺ _{-.05}	#5-20	206062-3
SUPERSEDED BY 1-206062-5	4	BULK	8	.38 ⁺ _{-.05}	#5-20	206062-2
SUPERSEDED BY 1-206062-6		INDIVIDUAL	8	.38 ⁺ _{-.05}	#5-20	206062-1

PACKAGING	SCREW FINISH	SCREW LENGTH	SCREW TYPE	PART NUMBER

THIS DRAWING IS A CONTROLLED DOCUMENT.		DWN	4/29/91	
		CHK	7-22-92	
		APVD	-	
		NAME	W.G.LENKER	
DIMENSIONS: INCHES		PRODUCT SPEC	-	
TOLERANCES UNLESS OTHERWISE SPECIFIED:		APPLICATION SPEC	-	
0 PLC ± -		WEIGHT	-	
1 PLC ± -		SIZE	CAGE CODE	DRAWING NO
2 PLC ± -			A3	00779
3 PLC ± -				C-206062
4 PLC ± -				
ANGLES ± -				
FINISH				
THERMOPLASTIC				

CUSTOMER DRAWING		SCALE	SHEET	REV
		NTS	1 OF 1	W



CABLE CLAMP KIT, STANDARD, SHELL SIZE 11, CPC

X-ON Electronics

Largest Supplier of Electrical and Electronic Components

Click to view similar products for [Standard Circular Connector](#) category:

Click to view products by [TE Connectivity](#) manufacturer:

Other Similar products are found below :

[5M2530B10P](#) [600259N006](#) [600273N007](#) [6134-336-13149](#) [6134-337-11149](#) [6134-337-2390](#) [6134-341-17149](#) [6280-4SG-516](#) [6280-7SG-3DC](#)
[6290](#) [6291A](#) [66200A-10](#) [680-SMG](#) [681-PMG](#) [CXS3102A14S2P](#) [CXS3102A181S](#) [7271-6SG-300](#) [7282-3PG-300-CH3](#) [75-474618-01S](#) [75-](#)
[474618-04P](#) [75-474618-04S](#) [799539-000](#) [MI8-SE](#) [805-005-07NF11-19PC](#) [805-005-07NF15-7PA](#) [8280-4PG-516](#) [8280-7PG-519](#) [8282-5PG-](#)
[519](#) [836783-1](#) [MP-4102-25P-C](#) [862256-1](#) [864019-2](#) [866857-1](#) [867865-1](#) [PT01SP-14-18P](#) [PT08P-14-5S](#) [120-1833-000](#)
[QCM019PC2DC012B](#) [1-2069279-1](#) [121583-0217](#) [121667-0020](#) [129591AU](#) [1000B BULK](#) [RD10A16-19-P6CS051/1](#) [RD10A20-31-](#)
[P8CS051/1](#) [RD16A14-12-S6CS051/2](#) [1301240290](#) [1301240347](#) [1301860202](#) [1301240268](#) [1301240275](#)