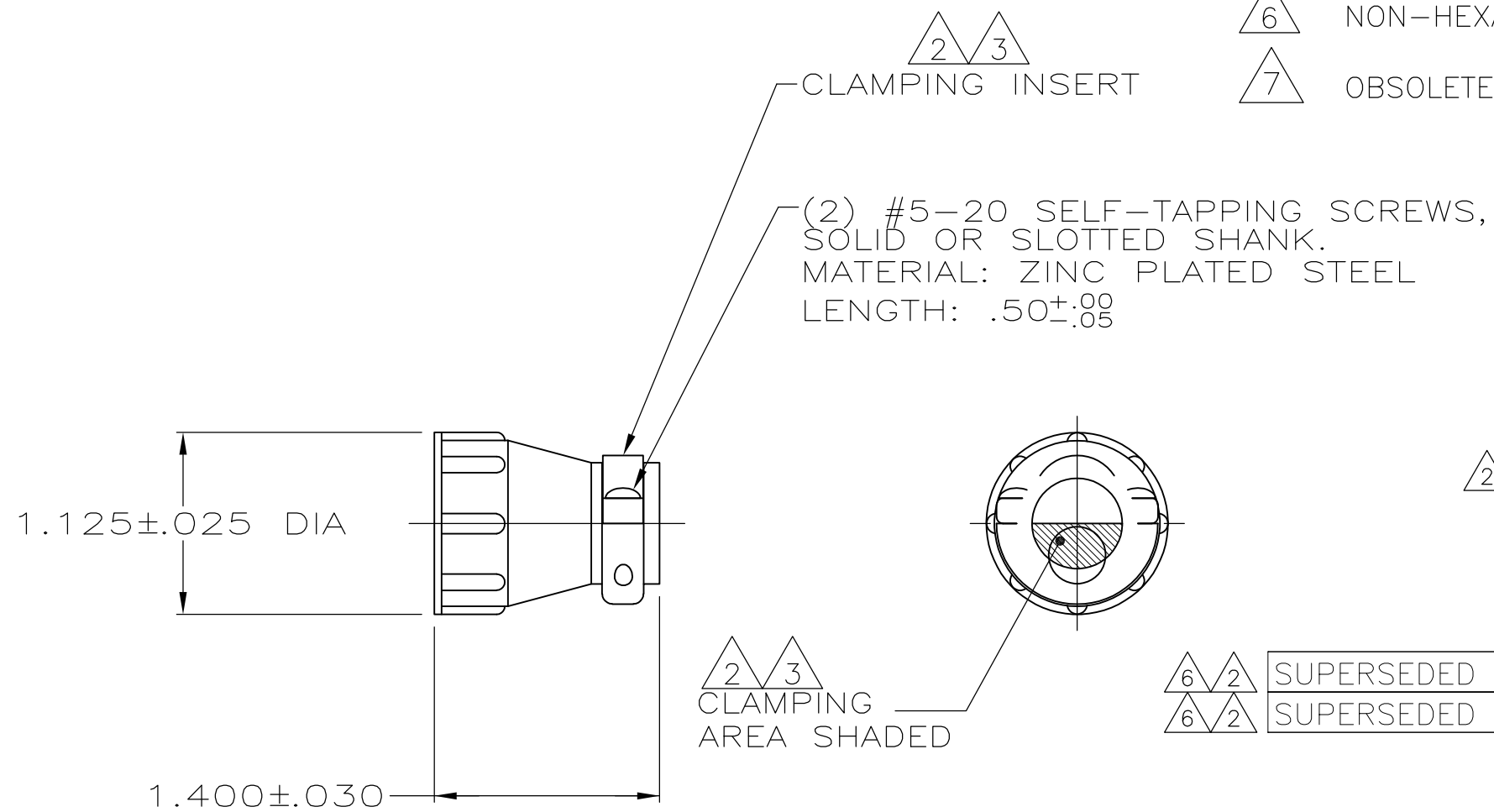


THIS DRAWING IS UNPUBLISHED. RELEASED FOR PUBLICATION  
 © COPYRIGHT - By - ALL RIGHTS RESERVED.

LOC	DIST	REVISIONS					
FT	0	P	LTR	DESCRIPTION	DATE	DWN	APVD
			N3	REVISED PER ECO-11-004587	11MAR11	RK	HMR

- 1 PART PACKAGED UNASSEMBLED.
- △2 CABLE CLAMPING AREA ADJUSTABLE FROM .010 TO .161 SQ IN BY REVERSING CLAMPING INSERTS. (2 INSERTS SUPPLIED)
- △3 CABLE CLAMPING AREA ADJUSTABLE FROM .010 TO .161 SQ IN BY CHANGING CLAMPING INSERTS. (4 INSERTS SUPPLIED, -4 ONLY)
- 4 .453 MAXIMUM CABLE OUTSIDE DIAMETER.
- △5 BULK PACKAGED KITS TO BE ORDERED IN MULTIPLES OF 200 ONLY.
- △6 NON-HEXAVALENT CHROMATE FINISH.
- △7 OBSOLETE PARTS: OBSOLETE CIS STREAMLINING PER D.RENAUD/D.SINISI



△6	INDIVIDUAL	1-206070-1
△2 △6 △5	BULK	1-206070-0
△2 △6 △7	OBSOLETE SMALL PACK	<del>206070-9</del>
△2 △6	INDIVIDUAL	206070-8
△6 △7	OBSOLETE INDIVIDUAL	<del>206070-7</del>
△6 △7	OBSOLETE SMALL PACK	<del>206070-6</del>
	OBSOLETE BULK	<del>206070-4</del>
△6 △2	SUPERSEDED BY 1-206070-0	△5 BULK 206070-3
△6 △2	SUPERSEDED BY 206070-8	INDIVIDUAL 206070-1
	PACKAGING	PART NUMBER

THIS DRAWING IS A CONTROLLED DOCUMENT.		DWN A GRAFF 4/23/91	<b>STE</b> TE Connectivity	
DIMENSIONS: INCHES		CHK W.G.LENKER 7-22-92		
TOLERANCES UNLESS OTHERWISE SPECIFIED:		APVD -	NAME CABLE CLAMP KIT, STANDARD, SHELL SIZE 17, CPC	
0 PLC ± -		PRODUCT SPEC 108-10024	RESTRICTED TO	
1 PLC ± -		APPLICATION SPEC -	SIZE A3	CAGE CODE 00779
2 PLC ± -		WEIGHT -	DRAWING NO C-206070	REV N3
3 PLC ± -			SCALE NTS	SHEET 1 OF 1
4 PLC ± -				
ANGLES ± -				
MATERIAL THERMOPLASTIC				
FINISH -				
		CUSTOMER DRAWING		

## X-ON Electronics

Largest Supplier of Electrical and Electronic Components

*Click to view similar products for [Standard Circular Connector](#) category:*

*Click to view products by [TE Connectivity](#) manufacturer:*

Other Similar products are found below :

[5M2530B10P](#) [600259N006](#) [600273N007](#) [6134-336-13149](#) [6134-337-11149](#) [6134-337-2390](#) [6134-341-17149](#) [6280-4SG-516](#) [6280-7SG-3DC](#)  
[6290](#) [6291A](#) [66200A-10](#) [680-SMG](#) [681-PMG](#) [CXS3102A14S2P](#) [CXS3102A181S](#) [7271-6SG-300](#) [7282-3PG-300-CH3](#) [75-474014-05S](#) [75-](#)  
[474618-01S](#) [75-474618-04P](#) [75-474618-04S](#) [799539-000](#) [MI8-SE](#) [805-005-07NF11-19PC](#) [805-005-07NF15-7PA](#) [8280-4PG-516](#) [8280-7PG-](#)  
[519](#) [8282-5PG-519](#) [836783-1](#) [MP-4102-25P-C](#) [862256-1](#) [864019-2](#) [866857-1](#) [867865-1](#) [PT01SP-14-18P](#) [PT08P-14-5S](#) [120-1833-000](#)  
[QCM019PC2DC012B](#) [1-2069279-1](#) [121583-0217](#) [121667-0020](#) [129591AU](#) [1000B BULK](#) [RD10A16-19-P6CS051/1](#) [RD10A20-31-](#)  
[P8CS051/1](#) [RD16A14-12-S6CS051/2](#) [1301240290](#) [1301240347](#) [1301860202](#) [1301240268](#)