

THIS DRAWING IS UNPUBLISHED.

RELEASED FOR PUBLICATION

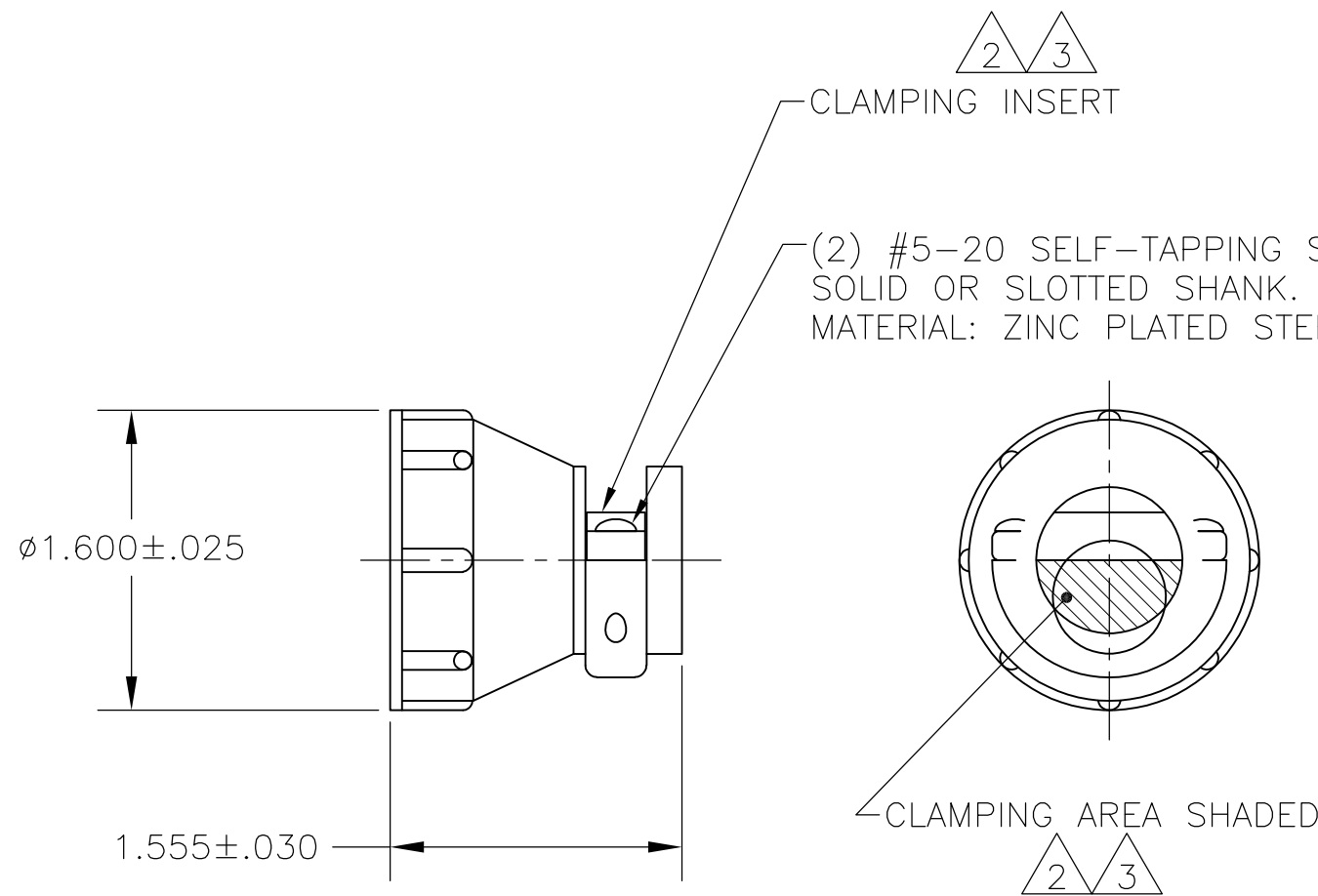
ALL RIGHTS RESERVED.

© COPYRIGHT - By -

REVISIONS

| P | LTR | DESCRIPTION               | DATE      | DWN | APVD |
|---|-----|---------------------------|-----------|-----|------|
|   | S5  | REVISED PER ECO-16-004800 | 12SEP2016 | NK  | MZ   |
|   | T   | REVISED PER ECR-16-016563 | 07DEC2016 | RS  | MZ   |

- 1 PARTS PACKAGED UNASSEMBLED.
- △2 CABLE CLAMPING AREA ADJUSTABLE FROM .100 TO .410 SQ IN BY REVERSING CLAMPING INSERTS. (2 INSERTS SUPPLIED)
- △3 CABLE CLAMPING AREA ADJUSTABLE FROM .100 TO .410 SQ IN BY CHANGING CLAMPING INSERTS. (4 INSERTS SUPPLIED, -3 ONLY)
- 4 .703 MAXIMUM CABLE OUTSIDE DIAMETER.
- △5 BULK PACKAGED KITS TO BE ORDERED IN MULTIPLES OF 100 ONLY.
- △6 SCREW FINISH ZINC WITH NON-HEXAVALENT CHROMATE.
- △7 OBSOLETE PARTS: OBSOLETE CIS STREAMLINING PER D.RENAUD/D.SINISI



|    |                             |   |            |             |
|----|-----------------------------|---|------------|-------------|
| △2 | OBSOLETE                    | .75 <sup>+0.00</sup> / <sub>-.05</sub>  | INDIVIDUAL | 1-206138-2  |
| △2 | OBSOLETE                    | .75 <sup>+0.00</sup> / <sub>-.05</sub> / .62 <sup>+0.00</sup> / <sub>-.05</sub> | INDIVIDUAL | 1-206138-1  |
|    |                             |   | △5 BULK    | 1-206138-0  |
| △2 | △7 OBSOLETE                 | .62 <sup>+0.00</sup> / <sub>-.05</sub>  | SMALL PACK | -206138-9   |
|    |                             |   | INDIVIDUAL | 206138-8    |
| △2 | △7 SUPERSEDED BY 1-206138-1 | .75 <sup>+0.00</sup> / <sub>-.05</sub> / .62 <sup>+0.00</sup> / <sub>-.05</sub> | INDIVIDUAL | -206138-7   |
| △7 | OBSOLETE                    | .62 <sup>+0.00</sup> / <sub>-.05</sub>  | SMALL PACK | -206138-6   |
|    | OBSOLETE                    | -   | △5 BULK    | -206138-3   |
| △2 | SUPERSEDED BY 1-206138-0    | .62 <sup>+0.00</sup> / <sub>-.05</sub>  | △5 BULK    | -206138-2   |
| △2 | SUPERSEDED BY 206138-8      | .62 <sup>+0.00</sup> / <sub>-.05</sub>  | INDIVIDUAL | -206138-1   |
|    |                             | SCREW LENGTH  | PACKAGING  | PART NUMBER |

|  |     |                              |  |                        |                    |       |     |       |     |       |     |        |     |                           |               |  |  |
|--|-----|------------------------------|--|------------------------|--------------------|-------|-----|-------|-----|-------|-----|--------|-----|---------------------------|---------------|--|--|
| THIS DRAWING IS A CONTROLLED DOCUMENT.   |     | DWN<br>A GRAFF<br>4/23/91    | <b>TE Connectivity</b>                                   |                        |                    |       |     |       |     |       |     |        |     |                           |               |  |  |
| DIMENSIONS:<br>INCHES  |     | CHK<br>W.G.LENKER<br>7-22-92 |  |                        |                    |       |     |       |     |       |     |        |     |                           |               |  |  |
| TOLERANCES UNLESS OTHERWISE SPECIFIED:   |     | APVD<br>-                    | NAME<br>CABLE CLAMP KIT, STANDARD,<br>SHELL SIZE 23, CPC |                        |                    |       |     |       |     |       |     |        |     |                           |               |  |  |
| <table border="0"> <tr> <td>0 PLC</td><td>± -</td> </tr> <tr> <td>1 PLC</td><td>± -</td> </tr> <tr> <td>2 PLC</td><td>± -</td> </tr> <tr> <td>3 PLC</td><td>± -</td> </tr> <tr> <td>4 PLC</td><td>± -</td> </tr> <tr> <td>ANGLES</td><td>± -</td> </tr> </table> |     | 0 PLC                        | ± -  | 1 PLC                  | ± -                | 2 PLC | ± - | 3 PLC | ± - | 4 PLC | ± - | ANGLES | ± - | PRODUCT SPEC<br>108-10024 | RESTRICTED TO |  |  |
| 0 PLC  | ± - |                              |  |                        |                    |       |     |       |     |       |     |        |     |                           |               |  |  |
| 1 PLC  | ± - |                              |  |                        |                    |       |     |       |     |       |     |        |     |                           |               |  |  |
| 2 PLC  | ± - |                              |  |                        |                    |       |     |       |     |       |     |        |     |                           |               |  |  |
| 3 PLC  | ± - |                              |  |                        |                    |       |     |       |     |       |     |        |     |                           |               |  |  |
| 4 PLC  | ± - |                              |  |                        |                    |       |     |       |     |       |     |        |     |                           |               |  |  |
| ANGLES   | ± - |                              |  |                        |                    |       |     |       |     |       |     |        |     |                           |               |  |  |
| MATERIAL<br>THERMOPLASTIC  |     | FINISH<br>-                  | APPLICATION SPEC<br>-                                    | SIZE<br>A3             | CAGE CODE<br>00779 |       |     |       |     |       |     |        |     |                           |               |  |  |
|  |     | WEIGHT<br>-                  | APVD<br>-  | DRAWING NO<br>C-206138 | REV<br>T           |       |     |       |     |       |     |        |     |                           |               |  |  |
| CUSTOMER DRAWING   |     |                              | SCALE<br>NTS   | SHEET<br>1 OF 1        |                    |       |     |       |     |       |     |        |     |                           |               |  |  |

## X-ON Electronics

Largest Supplier of Electrical and Electronic Components

*Click to view similar products for [Standard Circular Connector](#) category:*

*Click to view products by [TE Connectivity](#) manufacturer:*

Other Similar products are found below :

[5M2530B10P](#) [600259N006](#) [600273N007](#) [6134-336-13149](#) [6134-337-11149](#) [6134-337-2390](#) [6134-341-17149](#) [6280-4SG-516](#) [6280-7SG-3DC](#)  
[6290](#) [6291A](#) [66200A-10](#) [680-SMG](#) [681-PMG](#) [CXS3102A14S2P](#) [CXS3102A181S](#) [7271-6SG-300](#) [7282-3PG-300-CH3](#) [75-474014-05S](#) [75-](#)  
[474618-01S](#) [75-474618-04P](#) [75-474618-04S](#) [799539-000](#) [MI8-SE](#) [805-005-07NF11-19PC](#) [805-005-07NF15-7PA](#) [8280-4PG-516](#) [8280-7PG-](#)  
[519](#) [8282-5PG-519](#) [836783-1](#) [MP-4102-25P-C](#) [862256-1](#) [864019-2](#) [866857-1](#) [867865-1](#) [PT01SP-14-18P](#) [PT08P-14-5S](#) [120-1833-000](#)  
[QCM019PC2DC012B](#) [1-2069279-1](#) [121583-0217](#) [121667-0020](#) [129591AU](#) [1000B BULK](#) [RD10A16-19-P6CS051/1](#) [RD10A20-31-](#)  
[P8CS051/1](#) [RD16A14-12-S6CS051/2](#) [1301240290](#) [1301240347](#) [1301860202](#) [1301240268](#)