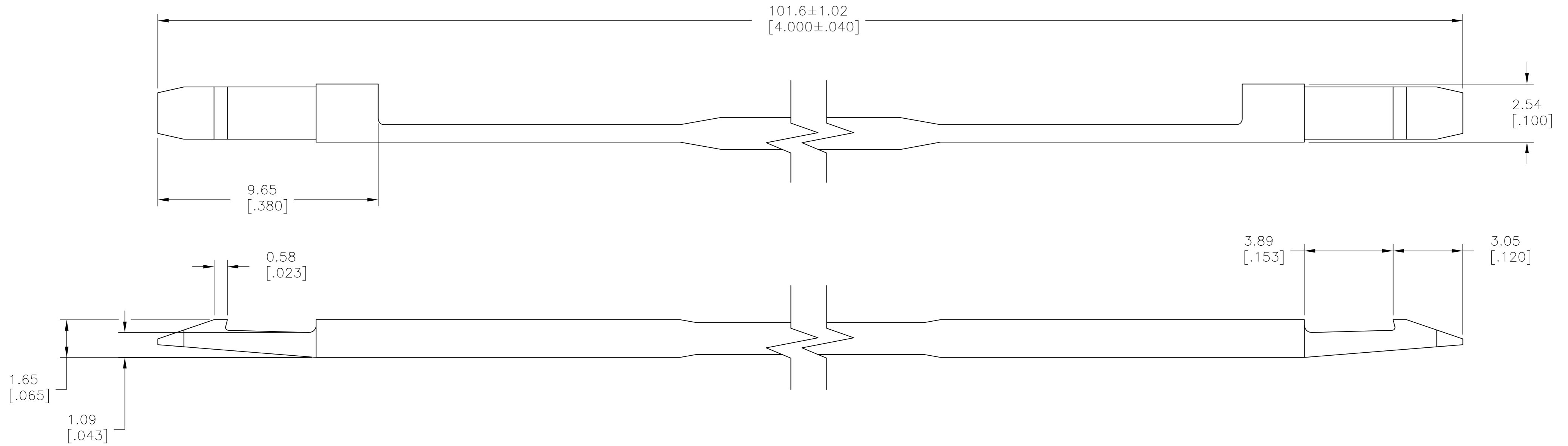


THIS DRAWING IS UNPUBLISHED. RELEASED FOR PUBLICATION
 © COPYRIGHT BY TYCO ELECTRONICS CORPORATION. ALL INTERNATIONAL RIGHTS RESERVED.

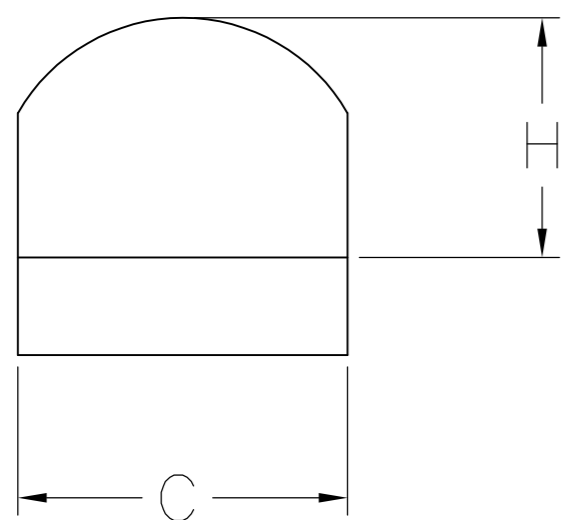
LOC	DIST	REVISIONS					
GP	00	P	LTR	DESCRIPTION	DATE	DWN	APVD
		B1		REVISED PER ECO-10-025052	20DEC2010	CJV	VDR



APPROXIMATE INSTALLED HEIGHT ABOVE CONNECTOR

10	0.680 [17.27]	1.806 [45.87]	34	1.880 [47.75]	1.464 [37.19]
14	0.880 [22.35]	1.749 [44.42]	36	1.980 [50.29]	1.436 [36.47]
16	0.980 [24.89]	1.721 [43.71]	40	2.180 [55.37]	1.379 [35.03]
20	1.180 [29.97]	1.664 [42.27]	44	2.380 [60.45]	1.322 [33.58]
24	1.380 [35.05]	1.607 [40.82]	50	2.680 [68.07]	1.236 [31.39]
26	1.480 [37.59]	1.578 [40.08]	60	3.180 [80.77]	1.094 [27.79]
30	1.680 [42.67]	1.521 [38.63]	64	3.380 [85.85]	1.037 [26.34]
NUMBER OF POSITIONS	(C)	(H)	NUMBER OF POSITIONS	(C)	(H)

- 1. NYLON 6X6, UL 94V-2 RATED, BLACK.
- 2. 120623-1 PART NUMBER APPLICABLE FOR ALL POSITIONS 10-64.
- 3. PULL TAB CANNOT BE USED TOGETHER WITH STRAIN RELIEF.



120623-1
PART NUMBER

THIS DRAWING IS A CONTROLLED DOCUMENT.		DWN C.REIFSNYDER 15 OCT 97	Tyco Electronics Corporation Harrisburg, PA 17105-3608	
DIMENSIONS: mm [INCHES]		CHK J.HAVENER 24 NOV 97	NAME PULL TAB, SNAP-IN, FLEXIBLE, AMP-LATCH NOVO	
TOLERANCES UNLESS OTHERWISE SPECIFIED:		APVD J.HAVENER 24 NOV 97	SIZE A2	
0 PLC ± -		PRODUCT SPEC	CAGE CODE 00779	DRAWING NO C=120623
1 PLC ± -		APPLICATION SPEC	WEIGHT	RESTRICTED TO
2 PLC ± 0.13 [.005]			SCALE 8:1	SHEET 1 of 1
3 PLC ± -			CUSTOMER DRAWING	REV B1
4 PLC ± -				
ANGLES ± -				
MATERIAL 1	FINISH -			

X-ON Electronics

Largest Supplier of Electrical and Electronic Components

Click to view similar products for [Headers & Wire Housings](#) category:

Click to view products by [TE Connectivity](#) manufacturer:

Other Similar products are found below :

[95000-104TRLF](#) [10135584-644402LF](#) [DF62W-EP2022PCA](#) [95000-106TRLF](#) [DF62W-2022SCA](#) [DF62W-EP2022PC](#) [2203348](#) [DF62W-2022SC](#) [1084018](#) [1029039](#) [1084017](#) [802-10-012-10-002000](#) [1112640](#) [1112639](#) [000-34000](#) [0009482033](#) [0009507031](#) [57102-S06-03LF](#) [57202-S52-04LF](#) [PCN6-15S-2.5E](#) [0039019024](#) [58102-G61-06LF](#) [582553-1](#) [0009508121](#) [0050291907](#) [018731A](#) [LY20-4P-DT1-P1E-BR](#) [02.125.8002.8](#) [60101931](#) [60598-1 \(Cut Strip\)](#) [M1625-3R/100](#) [61062-3](#) [61082-181009](#) [636-1427](#) [638009-1](#) [641938-9](#) [641991-4](#) [644168-1](#) [647662-1](#) [65039-019ELF](#) [65817-002LF](#) [65817-015LF](#) [65863-015LF](#) [66207-023LF](#) [67016-026LF](#) [67046-001LF](#) [67095-007LF](#) [68002-116](#) [68016-236H](#) [68648-049](#)