

THIS DRAWING IS UNPUBLISHED.

RELEASED FOR PUBLICATION

ALL RIGHTS RESERVED.

© COPYRIGHT - By -

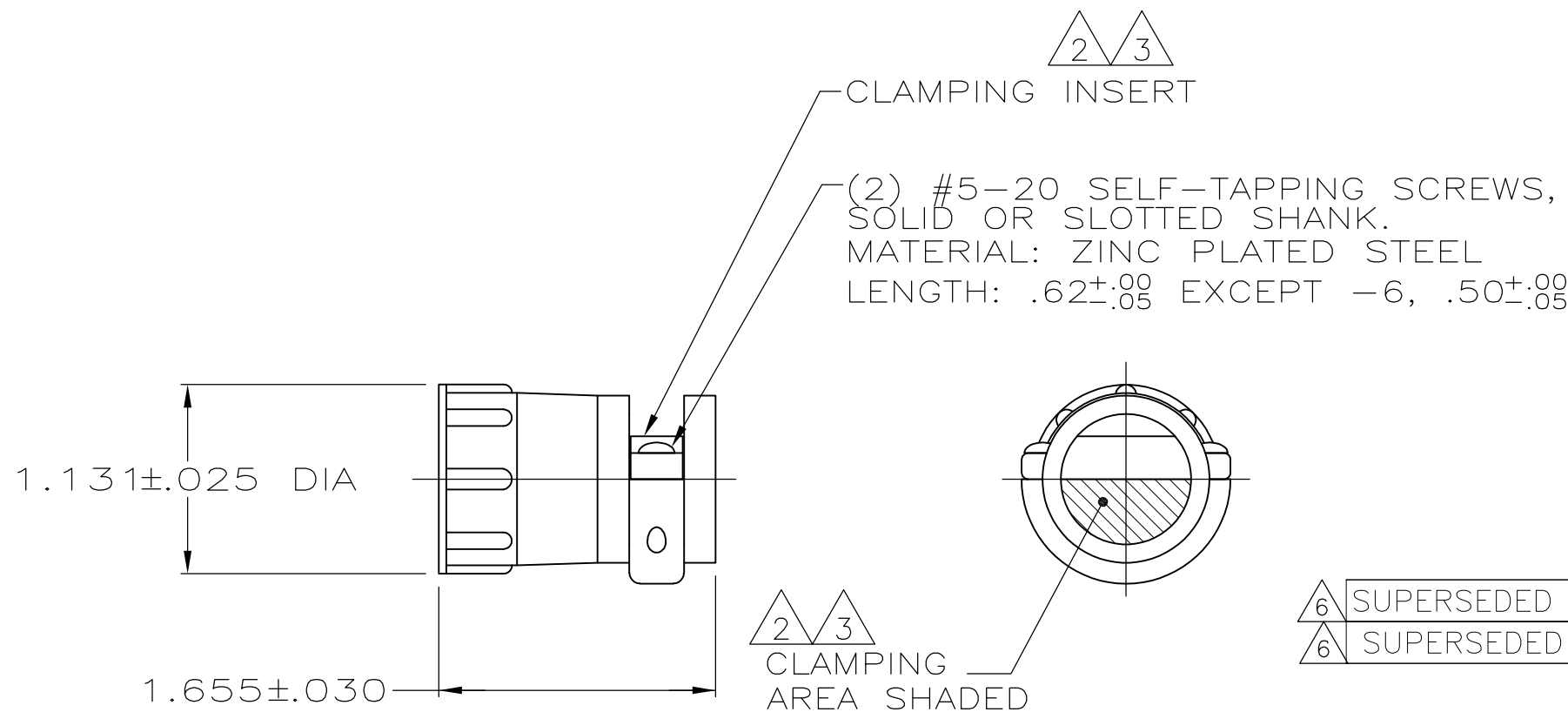
LOC
FT

DIST
0

REVISIONS

P	LTR	DESCRIPTION	DATE	DWN	APVD
	P3	REVISED PER ECO-11-004587	11MAR11	RK	HMR

- 1 PARTS PACKAGED UNASSEMBLED.
- △2 CABLE CLAMPING AREA ADJUSTABLE FROM .100 TO .410 SQ IN BY REVERSING CLAMPING INSERTS. (2 INSERTS SUPPLIED, -1 AND -2 ONLY)
- △3 CABLE CLAMPING AREA ADJUSTABLE FROM .100 TO .410 SQ IN BY CHANGING CLAMPING INSERTS. (4 INSERTS SUPPLIED, -4 ONLY)
- 4 .703 MAXIMUM CABLE OUTSIDE DIAMETER.
- △5 BULK PACKAGED KITS TO BE ORDERED IN MULTIPLES OF 100 ONLY.
- △6 NON-HEXAVALENT CHROMATE FINISH.
- △7 OBSOLETE PARTS: OBSOLETE CIS STREAMLINING PER D.RENAUD/D.SINISI



△6	△5	INDIVIDUAL	1-206322-1
△6	△5	BULK	1-206322-0
△6		INDIVIDUAL	206322-9
△6	△7	OBSOLETE - SMALL PACK	206322-8
△6	△7	OBSOLETE - INDIVIDUAL	206322-7
△6	△5	BULK	206322-6
△7	△6	OBSOLETE - SMALL PACK	206322-5
△6		OBSOLETE - INDIVIDUAL	206322-4
△6	△5	BULK	206322-2
△6		INDIVIDUAL	206322-1
		PACKAGING	PART NUMBER

THIS DRAWING IS A CONTROLLED DOCUMENT.		DWN A GRAFF 4/23/91	TE Connectivity	
DIMENSIONS: INCHES		CHK W.G.LENKER 7-22-92		
TOLERANCES UNLESS OTHERWISE SPECIFIED:		APVD -	NAME CABLE CLAMP KIT, LARGE, SHELL SIZE 17, CPC	
0 PLC ± - 1 PLC ± - 2 PLC ± - 3 PLC ± - 4 PLC ± - ANGLES ± -		PRODUCT SPEC 108-10024	RESTRICTED TO -	
MATERIAL THERMOPLASTIC		FINISH -	APPLICATION SPEC -	SIZE A3
		WEIGHT -	CAGE CODE 00779	DRAWING NO C-206322
		CUSTOMER DRAWING	SCALE NTS	SHEET 1 OF 1
			REV P3	

X-ON Electronics

Largest Supplier of Electrical and Electronic Components

Click to view similar products for [Standard Circular Connector](#) category:

Click to view products by [TE Connectivity](#) manufacturer:

Other Similar products are found below :

[5M2530B10P](#) [600259N006](#) [600273N007](#) [6134-336-13149](#) [6134-337-11149](#) [6134-337-2390](#) [6134-341-17149](#) [6280-4SG-516](#) [6280-7SG-3DC](#)
[6290](#) [6291A](#) [66200A-10](#) [680-SMG](#) [681-PMG](#) [CXS3102A14S2P](#) [CXS3102A181S](#) [7271-6SG-300](#) [7282-3PG-300-CH3](#) [75-474618-01S](#) [75-](#)
[474618-04P](#) [75-474618-04S](#) [799539-000](#) [MI8-SE](#) [805-005-07NF11-19PC](#) [805-005-07NF15-7PA](#) [8280-4PG-516](#) [8280-7PG-519](#) [8282-5PG-](#)
[519](#) [836783-1](#) [MP-4102-25P-C](#) [862256-1](#) [864019-2](#) [866857-1](#) [867865-1](#) [PT01SP-14-18P](#) [PT08P-14-5S](#) [120-1833-000](#)
[QCM019PC2DC012B](#) [1-2069279-1](#) [121583-0217](#) [121667-0020](#) [129591AU](#) [1000B BULK](#) [RD10A16-19-P6CS051/1](#) [RD10A20-31-](#)
[P8CS051/1](#) [RD16A14-12-S6CS051/2](#) [1301240290](#) [1301240347](#) [1301860202](#) [1301240268](#) [1301240275](#)